



US00D611944S

(12) **United States Design Patent**
Kujawski et al.

(10) **Patent No.:** **US D611,944 S**
(45) **Date of Patent:** **** Mar. 16, 2010**

(54) **TRANSCEIVER**

(75) Inventors: **Christopher Kujawski**, Seattle, WA (US); **Peter Bristol**, Seattle, WA (US)

(73) Assignee: **Microsoft Corporation**, Redmond, WA (US)

(**) Term: **14 Years**

(21) Appl. No.: **29/304,837**

(22) Filed: **Mar. 7, 2008**

(51) **LOC (9) Cl.** **14-99**

(52) **U.S. Cl.** **D14/435.1**

(58) **Field of Classification Search** D14/301, D14/313, 348–358, 363, 368, 370, 432–436, D14/496, 136–137, 155–156, 167–168, 240, D14/242, 299, 411, 384–385, 518, 402; D3/201, D3/273; D13/149, 184; 710/300–301; 439/131, 439/140–142; 361/684–686; 360/97.01
See application file for complete search history.

(56) **References Cited**

U.S. PATENT DOCUMENTS

D511,519 S *	11/2005	Bone et al.	D14/432
7,249,959 B2 *	7/2007	Pettersson et al.	439/142
7,301,596 B1 *	11/2007	Morganstern et al.	439/141
D556,752 S *	12/2007	Otsuka	D14/356
D558,210 S *	12/2007	Tseng et al.	D14/435
D558,763 S *	1/2008	Morganstern et al.	D14/356
2008/0316697 A1 *	12/2008	Zhu	361/684

OTHER PUBLICATIONS

SanDisk | Products | USB Flash Drives | SanDisk Extreme® Cruzer® Contour™ USB Flash Drive, p. 2 [online], [retrieved on Mar. 11,

2009]. Retrieved from the Internet <URL: [http://www.sandisk.com/Products/Item\(2573\)-SDCZ8-016G-A75-Extreme_Cruzer_Contour16GB_USB_Flash_Drive.aspx](http://www.sandisk.com/Products/Item(2573)-SDCZ8-016G-A75-Extreme_Cruzer_Contour16GB_USB_Flash_Drive.aspx)>.*
SanDisk USB flash drive, pp. 2 and 4 [online] Jan. 6, 2009 [retrieved on Mar. 11, 2009]. Retrieved from the Internet <URL: <http://www.ces-show.com/0271/sandisk/usbflashdrive/usb-drive/>>.*
Microsoft Notebook Optical Mouse 3000, Disclosed 2005, 1 page.
Microsoft Habu Gaming Mouse, Disclosed 2006, 1 page.
Microsoft Optical Mouse by S+TARK, Disclosed 2004, 4 pages.

* cited by examiner

Primary Examiner—Cathron C Brooks

Assistant Examiner—Karen E Kearney

(74) *Attorney, Agent, or Firm*—Banner & Witcoff, Ltd.

(57) **CLAIM**

The ornamental design for a transceiver, as shown and described.

DESCRIPTION

FIG. 1 is a perspective view of a transceiver showing my new design;

FIG. 2 is a front view thereof;

FIG. 3 is a rear view thereof;

FIG. 4 is a right side view thereof;

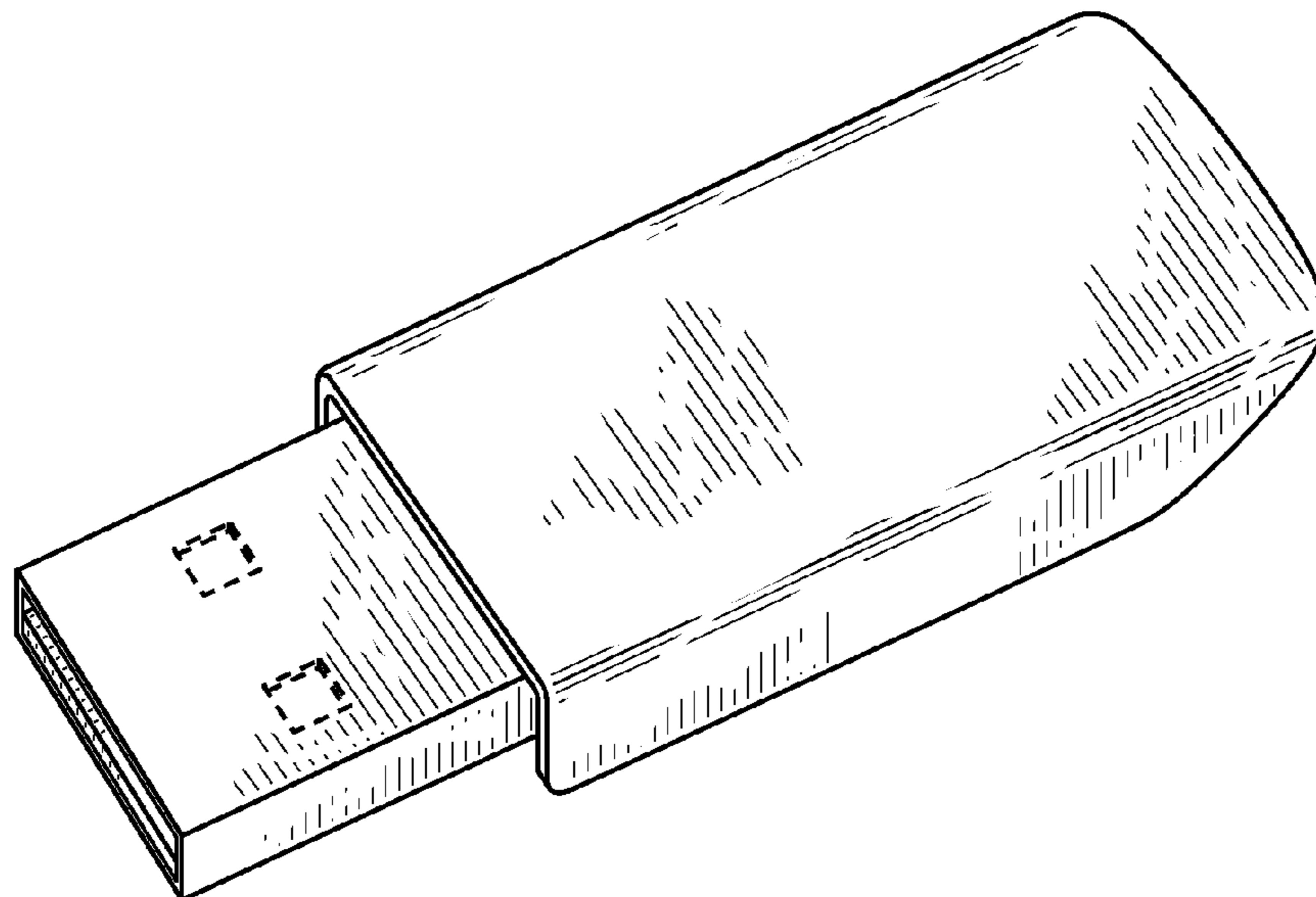
FIG. 5 is a left side view thereof;

FIG. 6 is a top view thereof; and,

FIG. 7 is a bottom view thereof.

The broken line showing of a remainder of the transceiver is for illustrative purposes only and forms no part of the claimed design.

1 Claim, 2 Drawing Sheets



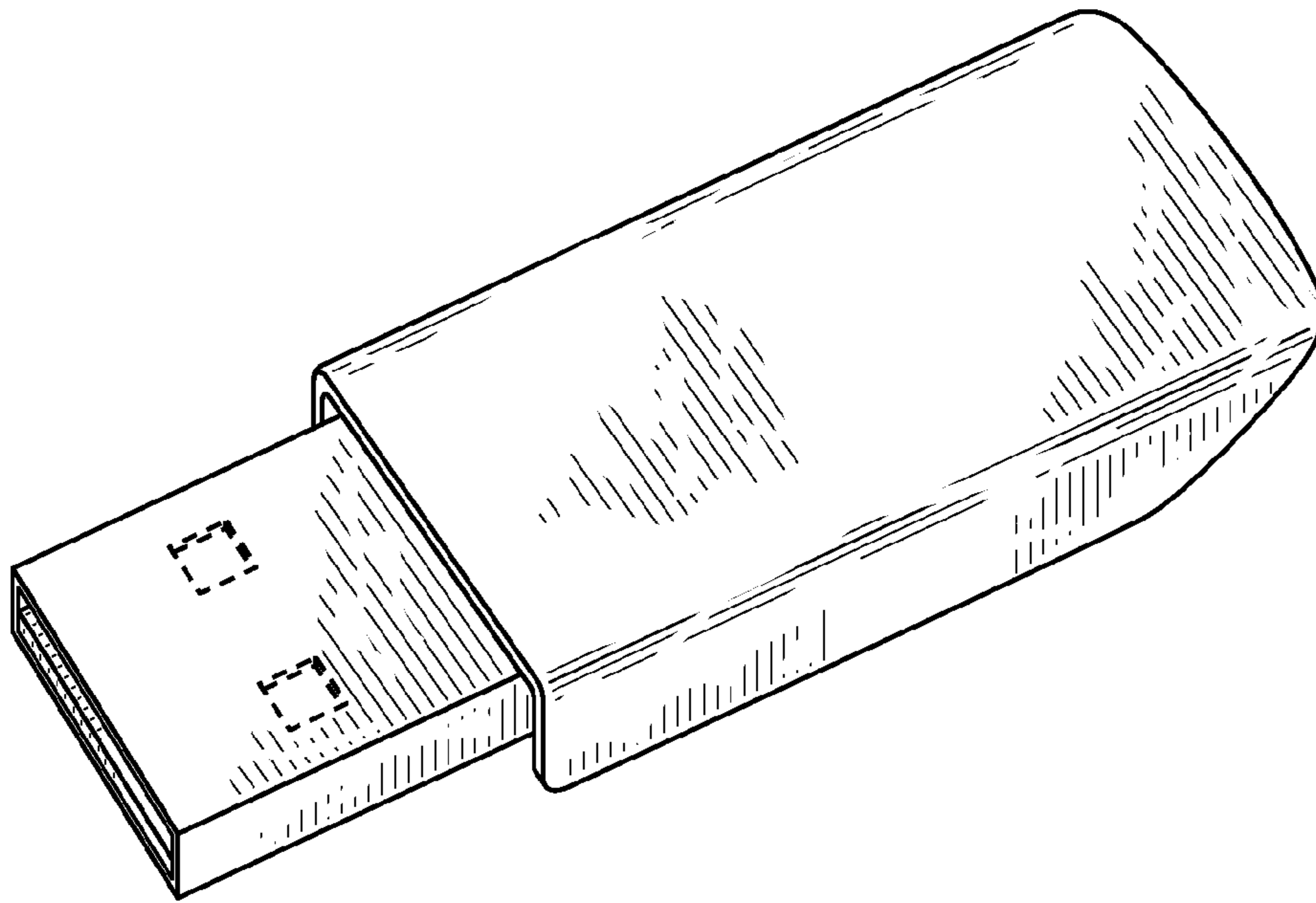


FIG. 1

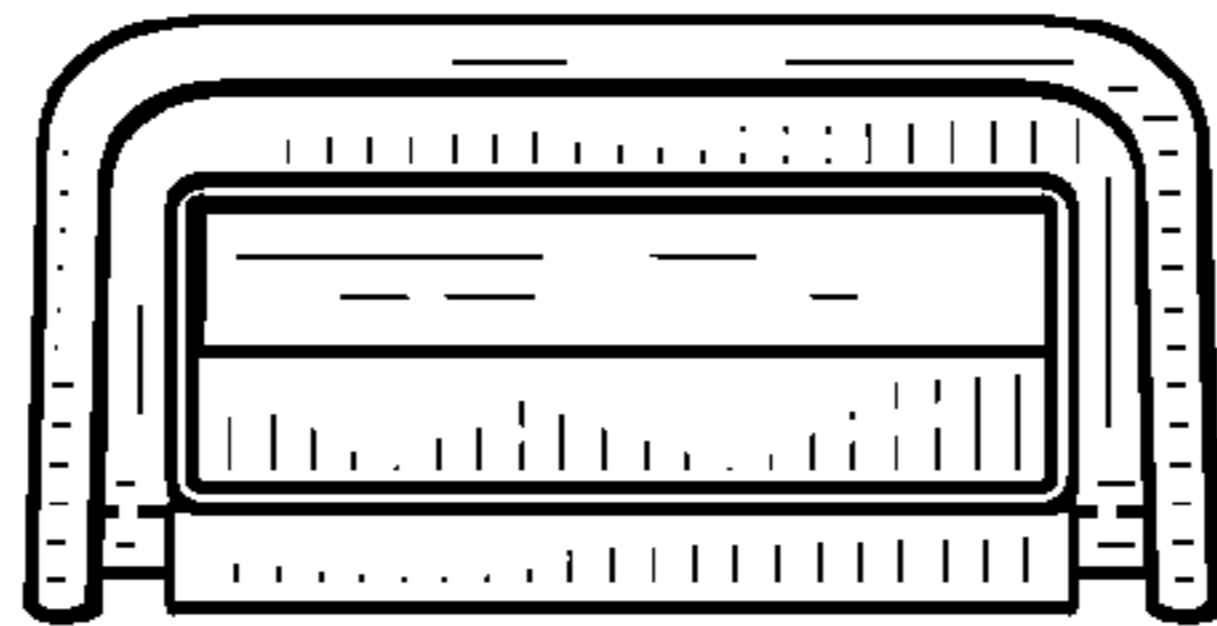


FIG. 2

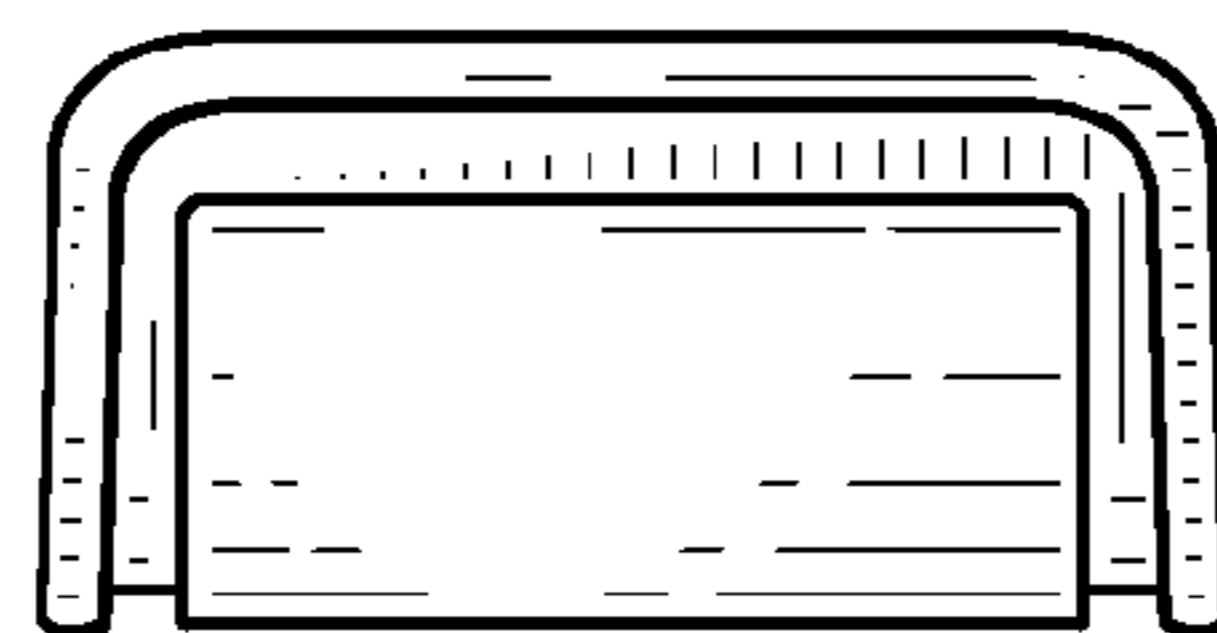


FIG. 3



FIG. 4

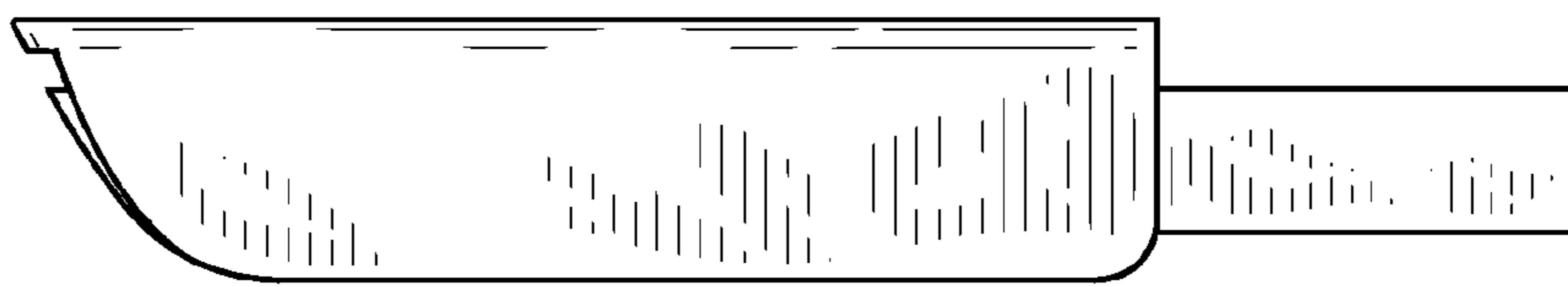


FIG. 5

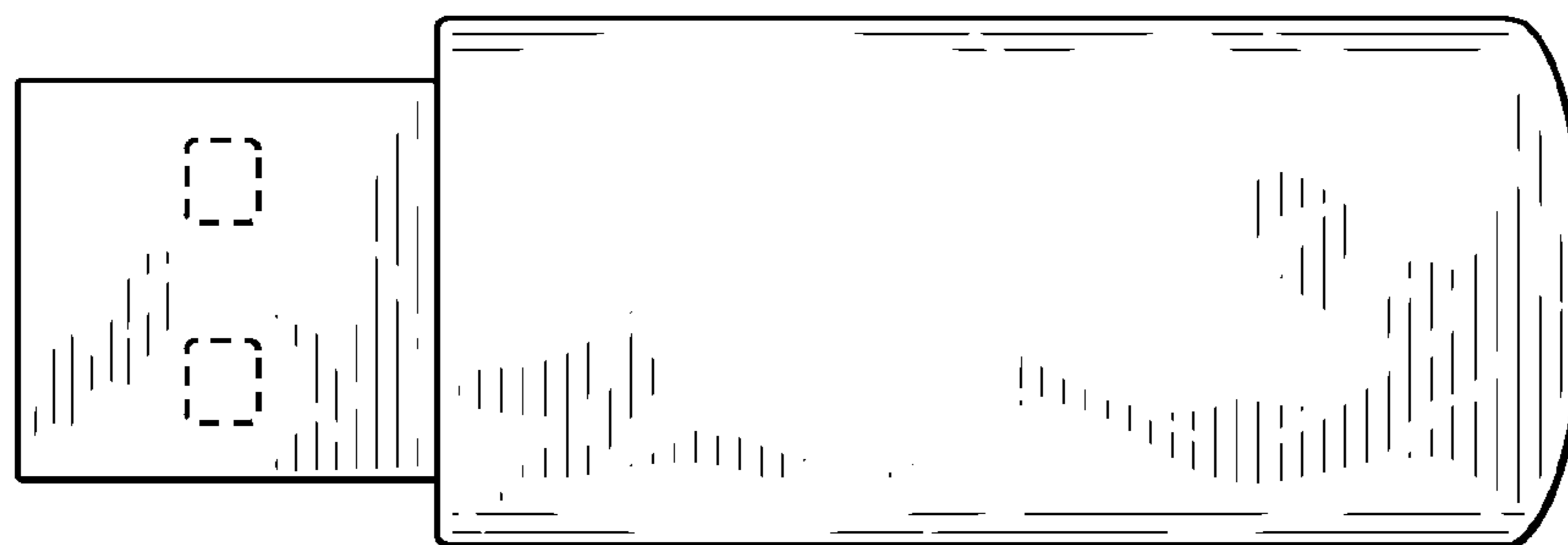


FIG. 6

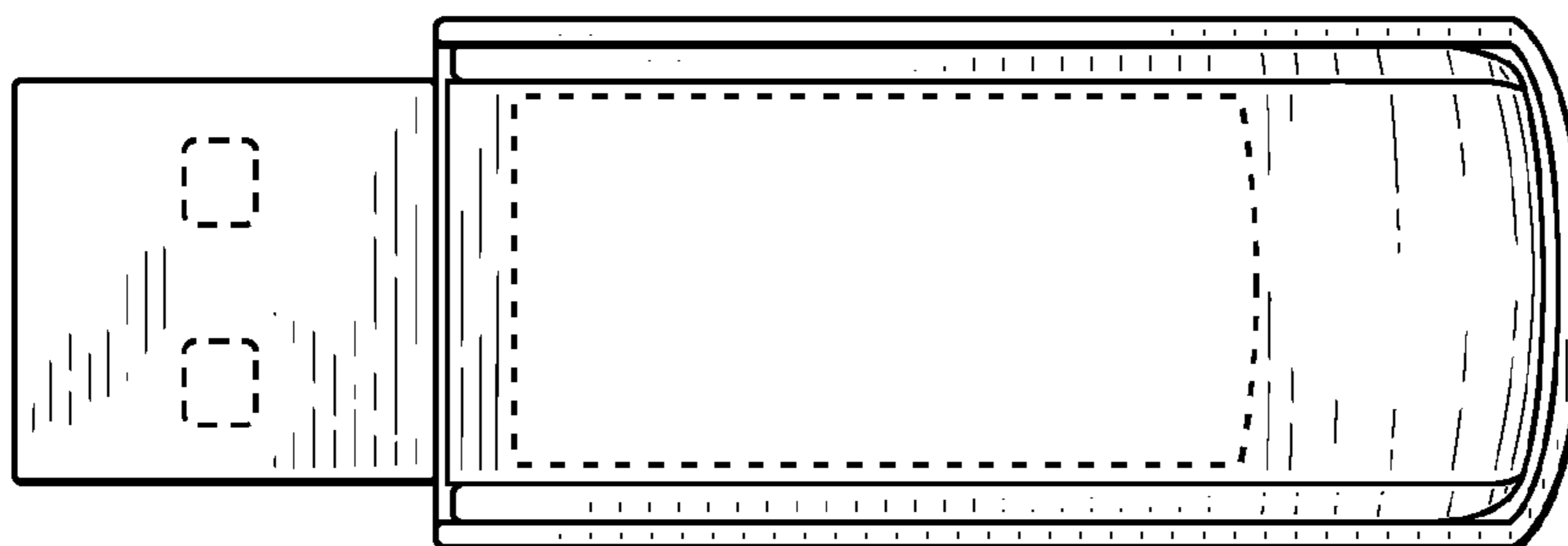


FIG. 7