



US00D611942S

(12) **United States Design Patent**
Kemery

(10) **Patent No.:** **US D611,942 S**
(45) **Date of Patent:** **** Mar. 16, 2010**

(54) **ELECTRONIC TABLET**

2006/0101499 A1 5/2006 Aravamudan et al.

(75) Inventor: **Mike Kemery**, Seattle, WA (US)

(73) Assignee: **T-Mobile USA, Inc.**, Bellevue, WA (US)

(**) Term: **14 Years**

(21) Appl. No.: **29/342,245**

(22) Filed: **Aug. 20, 2009**

(51) **LOC (9) Cl.** **14-02**

(52) **U.S. Cl.** **D14/341**

(58) **Field of Classification Search** D14/341-347,
D14/137, 138, 138.1, 138 AA, 138 R, 138 AB,
D14/138 AC, 138 AD, 138 C, 138 G, 496,
D14/203.1, 203.3, 203.4, 203.5, 203.6, 203.7,
D14/426, 427, 428, 432, 429, 129, 130, 420,
D14/439-441, 448, 125, 147, 156, 218, 247-248,
D14/250, 389; D10/65, 104; D18/6-7; D21/29,
D21/686, 33, 324, 329, 330; D6/596, 601,
D6/605; D19/60; 455/556.1, 556.2, 566,
455/575.1, 575.3, 575.4, 90.3, 6.1; 379/433.04,
379/433.07, 433.11, 433.12, 433.13, 910,
379/916, 433.01, 433.06; 345/169, 901,
345/905; 348/169; 361/814; 341/122; 346/173
See application file for complete search history.

(56) **References Cited**

U.S. PATENT DOCUMENTS

D270,061	S *	8/1983	Ackeret	D6/308
D337,569	S *	7/1993	Kando	D14/341
7,218,912	B2	5/2007	Erskine et al.		
7,302,272	B2	11/2007	Ackley		
D569,837	S *	5/2008	Baik et al.	D14/138 G
7,415,711	B2	8/2008	Chew et al.		
D578,098	S *	10/2008	Oh	D14/138 AD
D584,738	S *	1/2009	Kim et al.	D14/496
D590,804	S *	4/2009	Tkachuk	D14/138 AD
2004/0180648	A1	9/2004	Hymel et al.		
2004/0235520	A1	11/2004	Cadiz et al.		

(Continued)

OTHER PUBLICATIONS

“AT&T Video Share Lets Wireless Customers Share Live Video”,
retrieved from: <http://www.att.com/gen/press-room?pid=9199>,
printed on Feb. 26, 2009, 2 pages.

(Continued)

Primary Examiner—Cathron C Brooks

Assistant Examiner—Barbara Fox

(74) *Attorney, Agent, or Firm*—Lee & Hayes, PLLC

(57) **CLAIM**

The ornamental design for an electronic tablet, as shown and described.

DESCRIPTION

FIG. 1 is a perspective view of an electronic tablet showing the new design;

FIG. 2 is another perspective view of the electronic tablet taken from the top and front;

FIG. 3 is a top plan view of the electronic tablet of FIG. 1;

FIG. 4 is a bottom plan view of the electronic tablet of FIG. 1;

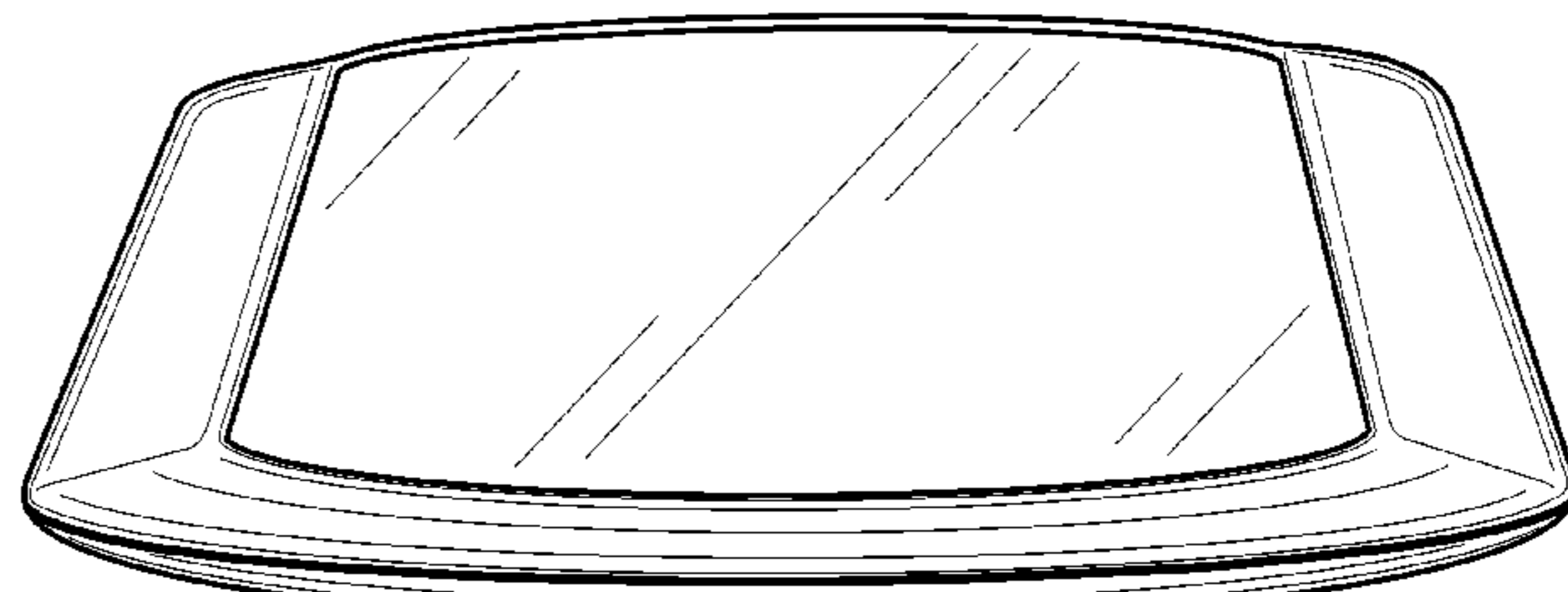
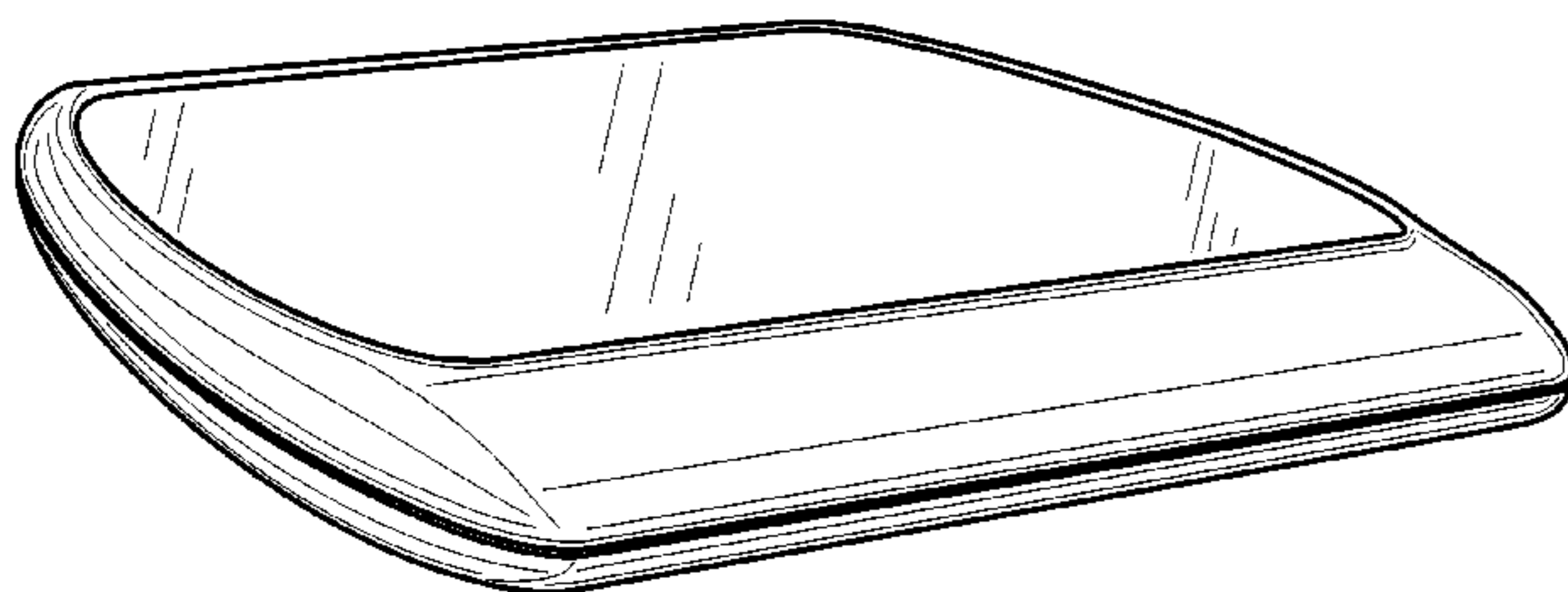
FIG. 5 is a right side elevation view of the electronic tablet of FIG. 1 shown at a larger scale;

FIG. 6 is a left side elevation view of the electronic tablet of FIG. 1 shown at a larger scale;

FIG. 7 is a front elevation view of the electronic tablet of FIG. 1; and,

FIG. 8 is a back elevation view of the electronic tablet of FIG. 1.

1 Claim, 6 Drawing Sheets



US D611,942 S

Page 2

U.S. PATENT DOCUMENTS

2006/0143622 A1 6/2006 Prabandham et al.
2006/0189348 A1 8/2006 Montulli et al.
2006/0242242 A1 10/2006 Ezumi et al.
2006/0270395 A1 11/2006 Dhawan et al.
2007/0021145 A1 1/2007 Lam
2008/0064381 A1 3/2008 Ackley
2008/0070608 A1 3/2008 Ackley
2008/0070609 A1 3/2008 Ackley
2008/0096544 A1 4/2008 McNamara et al.
2008/0246605 A1 10/2008 Pfeffer et al.
2008/0288966 A1 11/2008 Maes
2009/0005000 A1 1/2009 Baker et al.
2009/0006116 A1 1/2009 Baker et al.
2009/0006200 A1 1/2009 Baker et al.
2009/0015653 A1 1/2009 Baek

2009/0054092 A1 2/2009 Stonefield et al.
2009/0143007 A1 6/2009 Terlizzi

OTHER PUBLICATIONS

“Back to MediaCast FAQ”, 2007 Aylus Networks, retrieved from: <http://vumenow.com/support/mediashare.php?faq=1>, printed Feb. 26, 2009, 2 pages.

“Cingular to roll out video/chat service”, The Seattle Times: Tech Tracks, retrieved from: [http://blog.seattletimes.nwsources.com/techtracks/archives/2006/06/cingular to roll out vi...](http://blog.seattletimes.nwsources.com/techtracks/archives/2006/06/cingular_to_roll_out_vi...), Jun. 28, 2006, 2 pages.

GSM Association, “Image Share Interoperability Specification 1.1”, Official Document IR.79, Apr. 10, 2008, 13 pages.

GSM Association, “Video Share Interoperability Specification 1.3”, Official Document IR.74, Oct. 30, 2008, 18 pages.

* cited by examiner

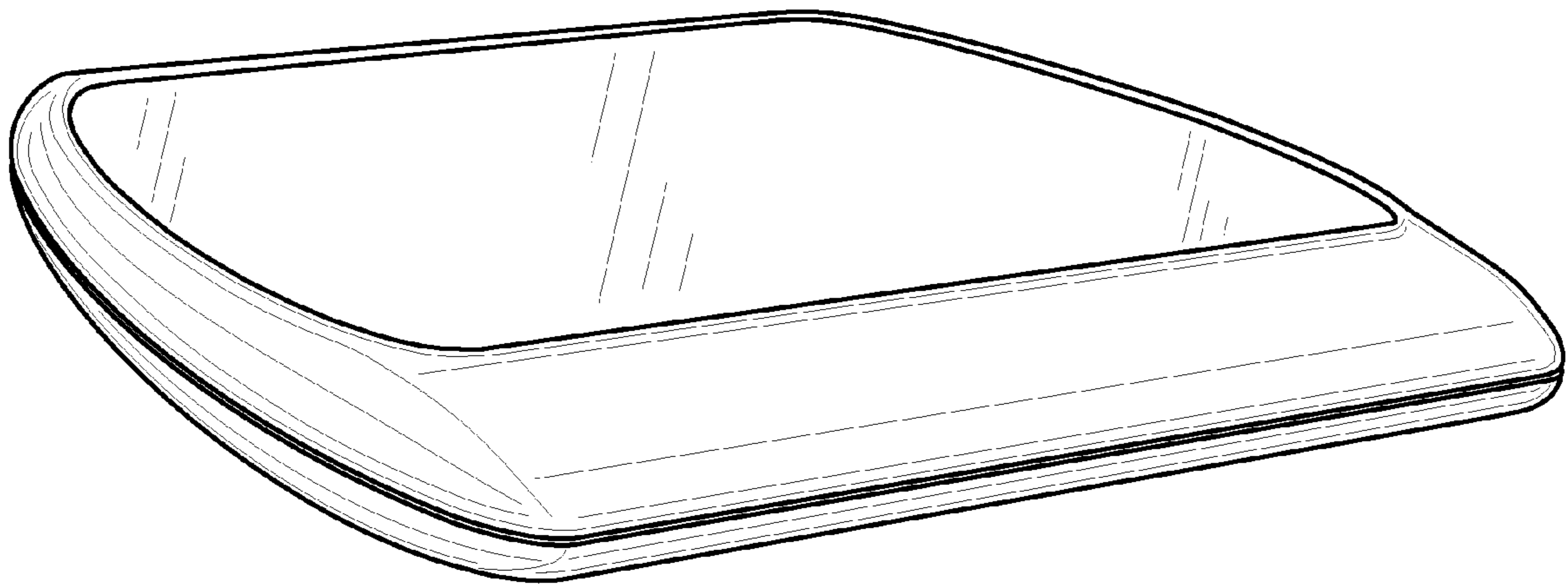


FIG. 1

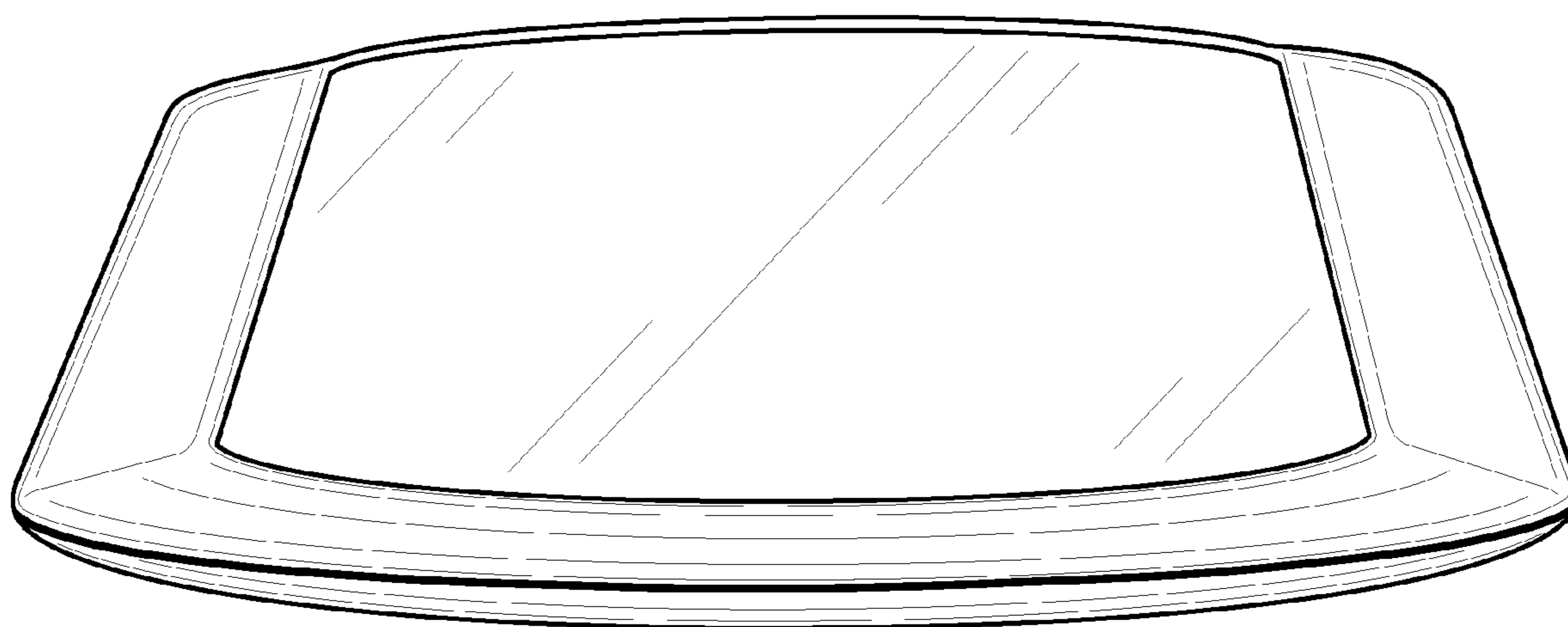


FIG. 2

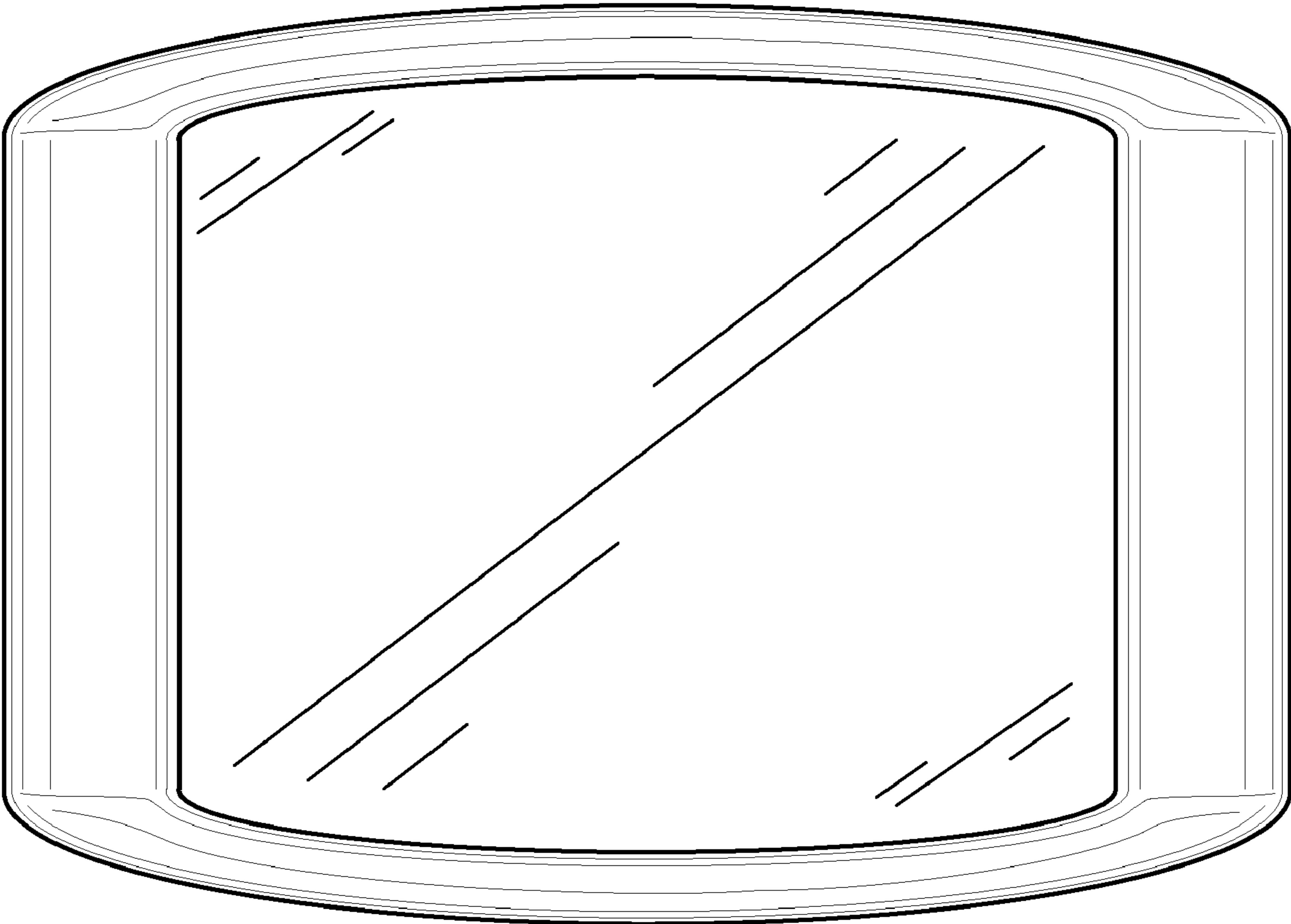


FIG. 3

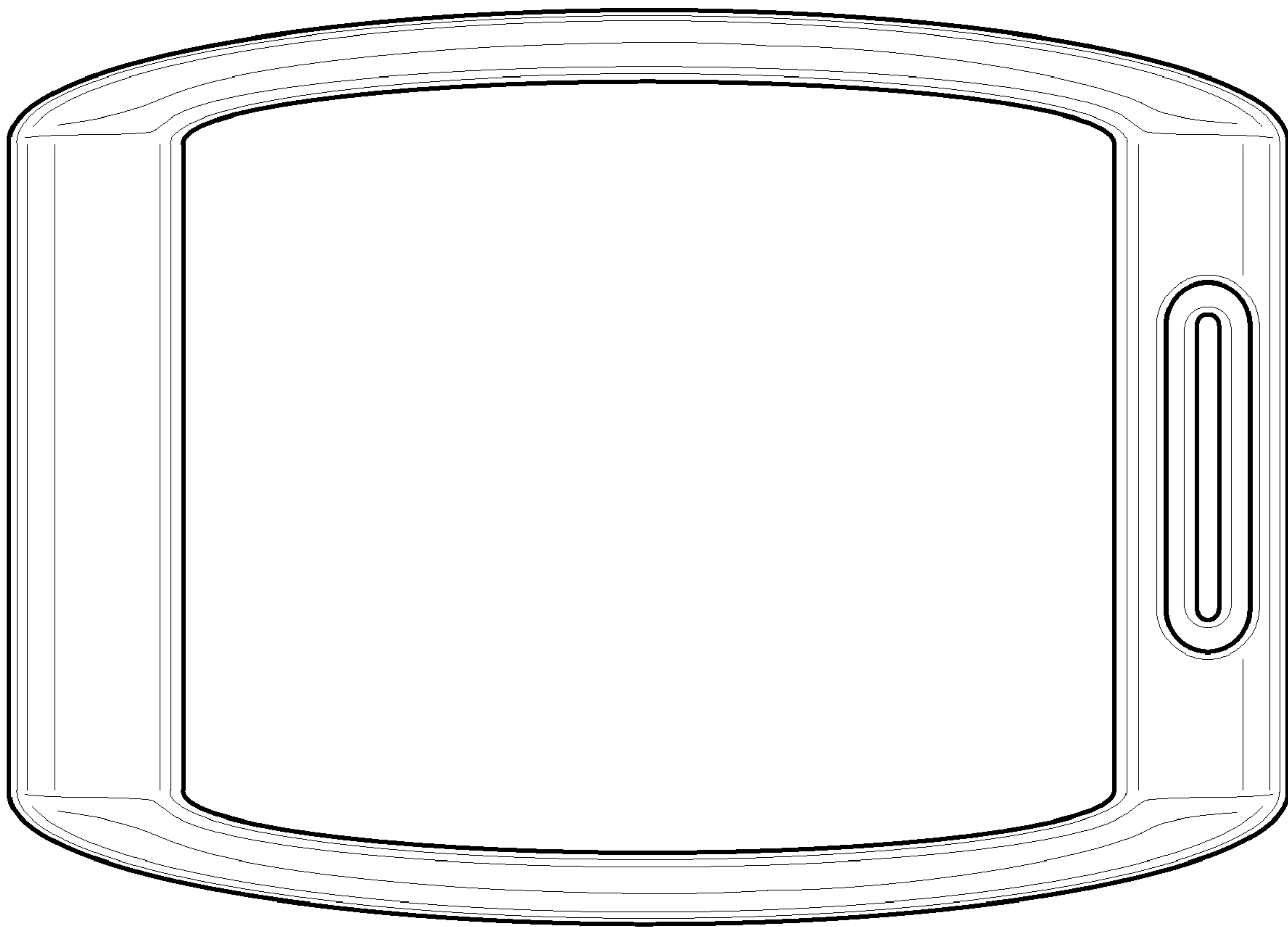


FIG. 4

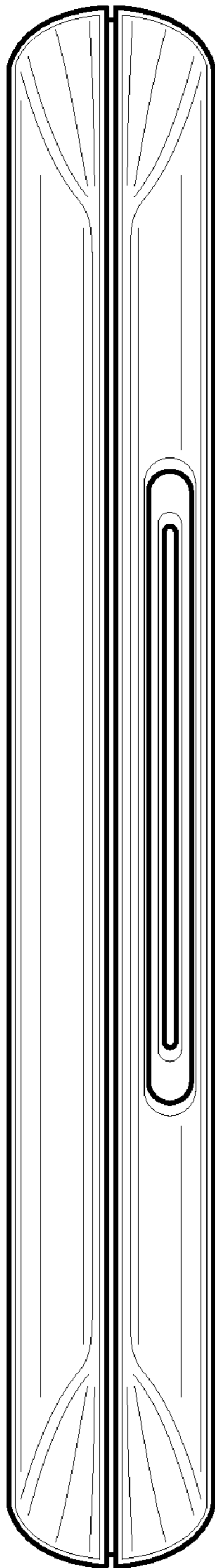


FIG. 5

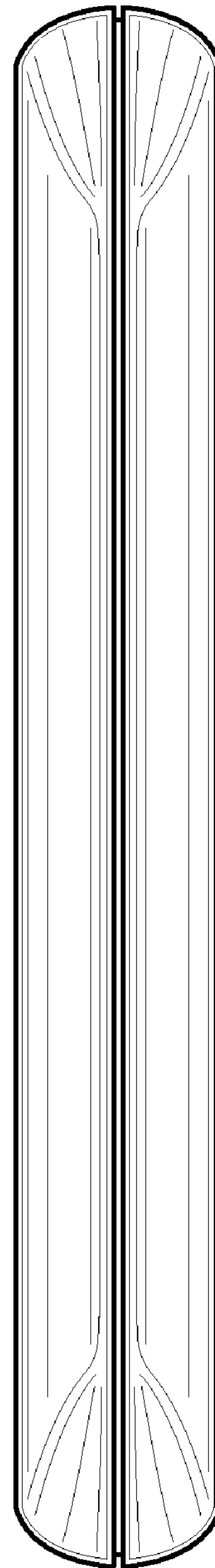


FIG. 6

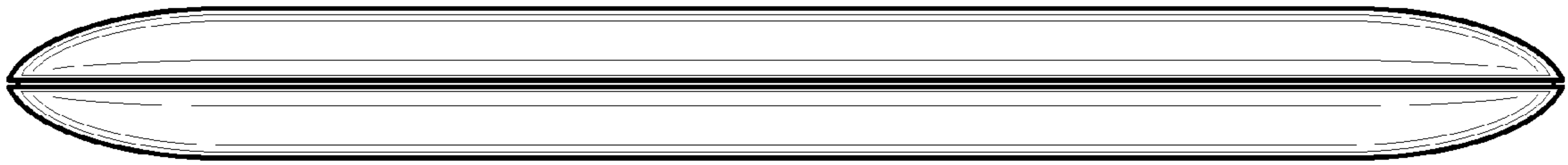


FIG. 7

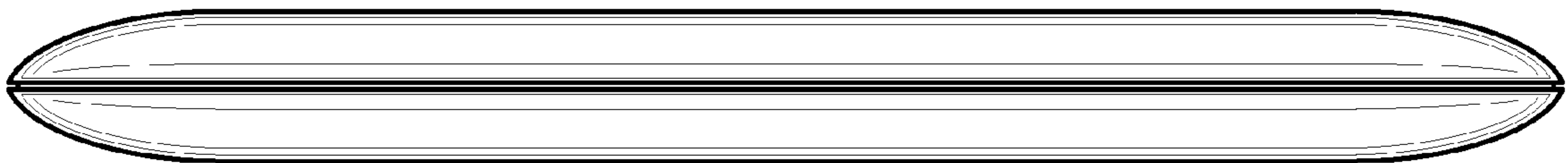


FIG. 8