



US00D611941S

(12) **United States Design Patent**  
**Wang et al.**

(10) **Patent No.:** **US D611,941 S**  
(45) **Date of Patent:** **\*\* Mar. 16, 2010**

(54) **NOTEBOOK COMPUTER**

(75) Inventors: **Chu-Fu Wang**, Taipei (TW);  
**Chun-Chieh Peng**, Tapei (TW);  
**Yu-Ping Cheng**, Taipei (TW)

(73) Assignee: **Quanta Computer Inc.**, Tao Yuan Shien (TW)

(\*\*) Term: **14 Years**

(21) Appl. No.: **29/309,918**

(22) Filed: **Nov. 10, 2008**

(30) **Foreign Application Priority Data**

Sep. 24, 2008 (TW) ..... 97305482

(51) **LOC (9) Cl.** ..... **14-02**

(52) **U.S. Cl.** ..... **D14/341**

(58) **Field of Classification Search** ..... D14/341-347,  
D14/138, 454-456, 391, 218, 327, 338, 387,  
D14/390, 399, 426, 429, 432, 439, 137, 247,  
D14/496, 125, 126, 129, 318, 326, 248; D18/7;  
D13/168; D21/517, 329, 330, 331; D10/65,  
D10/104; D19/26; 455/556.1, 556.2, 566,  
455/575.1; 361/680; 345/169; 379/433.04,  
379/433.06, 433.07, 433.11, 433.12, 433.13;  
348/14.02

See application file for complete search history.

(56) **References Cited**

**U.S. PATENT DOCUMENTS**

D399,526 S \* 10/1998 Brady ..... D14/345

D402,968 S \* 12/1998 Wolff et al. .... D14/318  
D491,934 S \* 6/2004 Shimano et al. .... D14/318  
D512,055 S \* 11/2005 Yeh et al. .... D14/318  
D565,045 S \* 3/2008 Wu et al. .... D14/318  
D591,285 S \* 4/2009 Lu ..... D14/327  
D594,862 S \* 6/2009 Kuo ..... D14/327

\* cited by examiner

*Primary Examiner*—Cathron C Brooks

*Assistant Examiner*—Barbara Fox

(74) *Attorney, Agent, or Firm*—Rabin & Berdo, PC

(57) **CLAIM**

I claim the ornamental design for a notebook computer, as shown and described.

**DESCRIPTION**

FIG. 1 is a perspective view of a notebook computer showing our new design;

FIG. 2 is a front view thereof;

FIG. 3 is a rear view thereof;

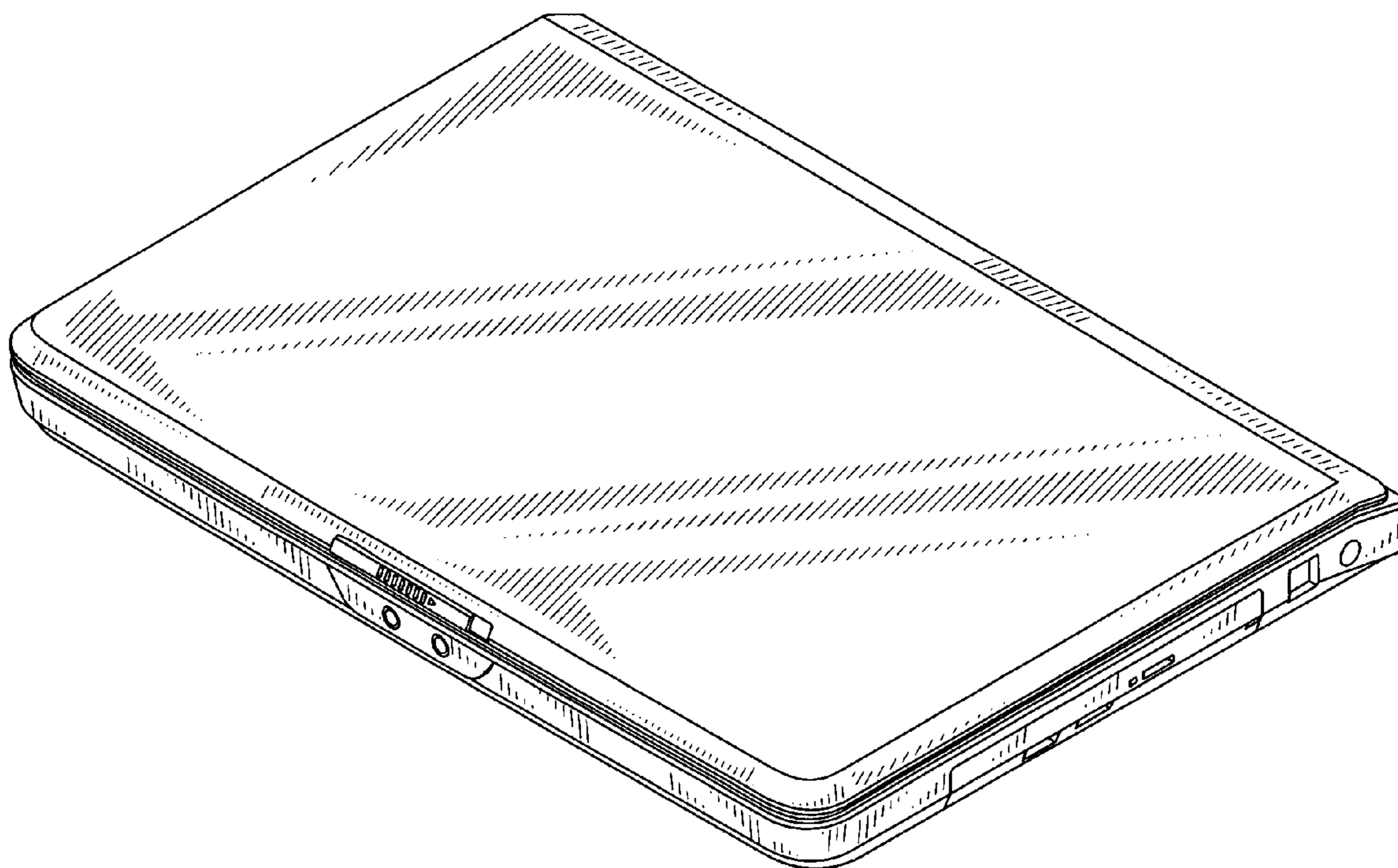
FIG. 4 is a left side view thereof;

FIG. 5 is a right side view thereof;

FIG. 6 is a top view thereof; and,

FIG. 7 is a bottom view thereof.

**1 Claim, 5 Drawing Sheets**



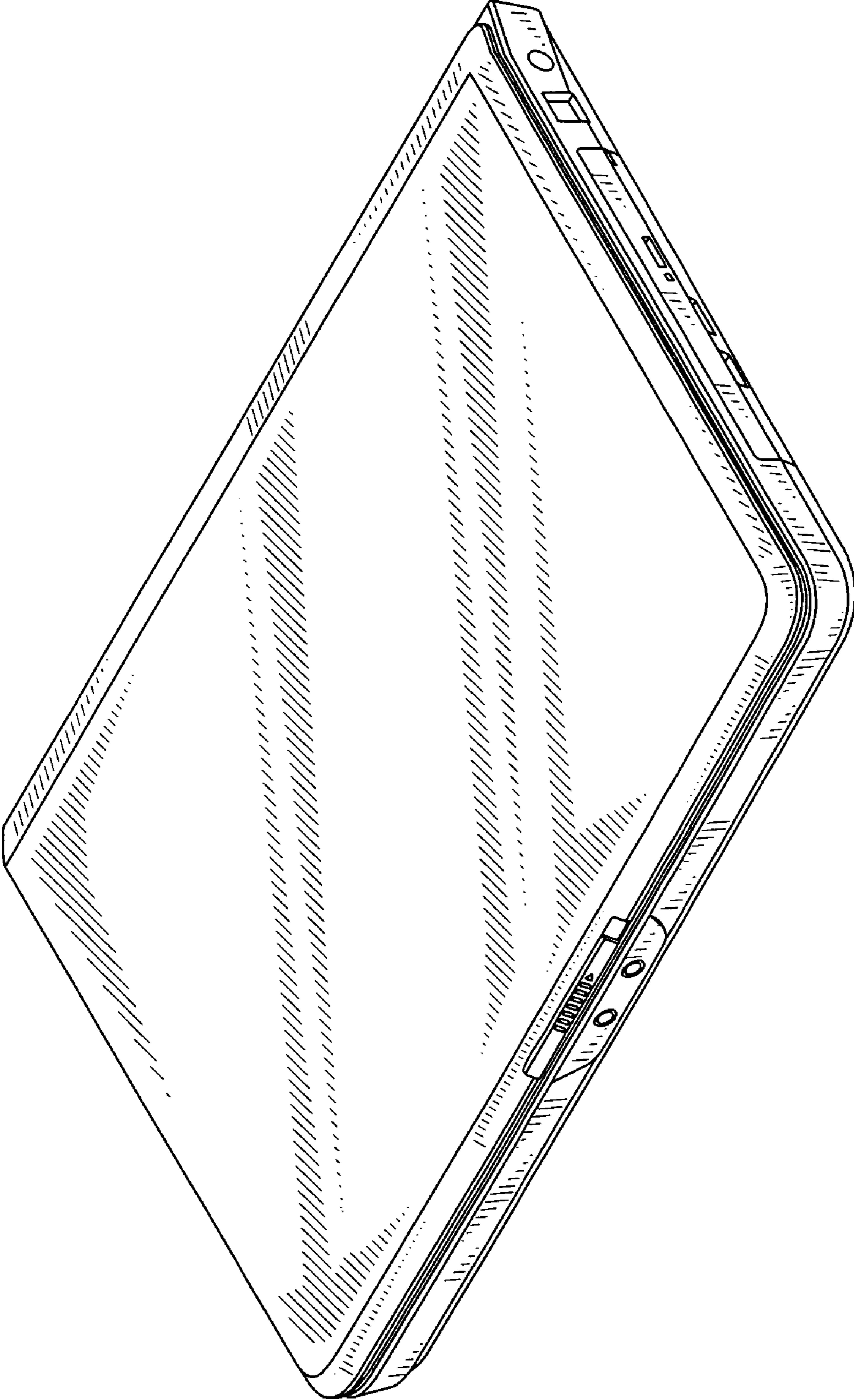


FIG. 1

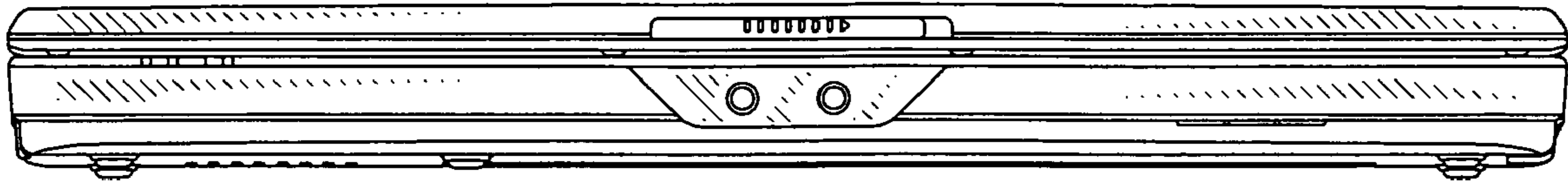


FIG. 2

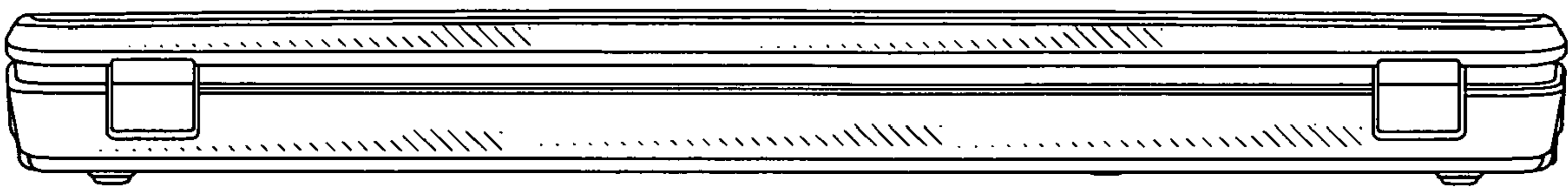


FIG. 3

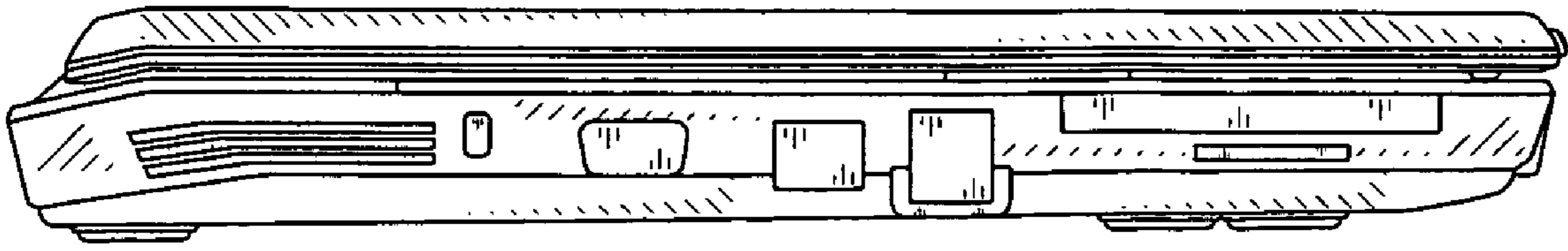


FIG. 4

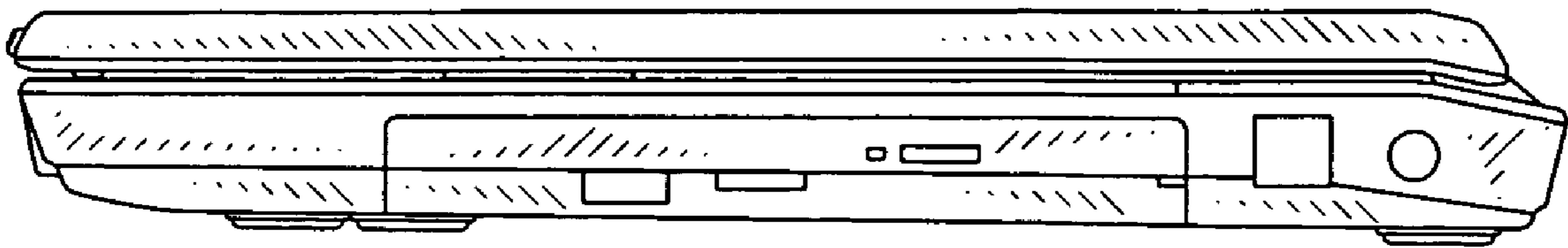


FIG. 5

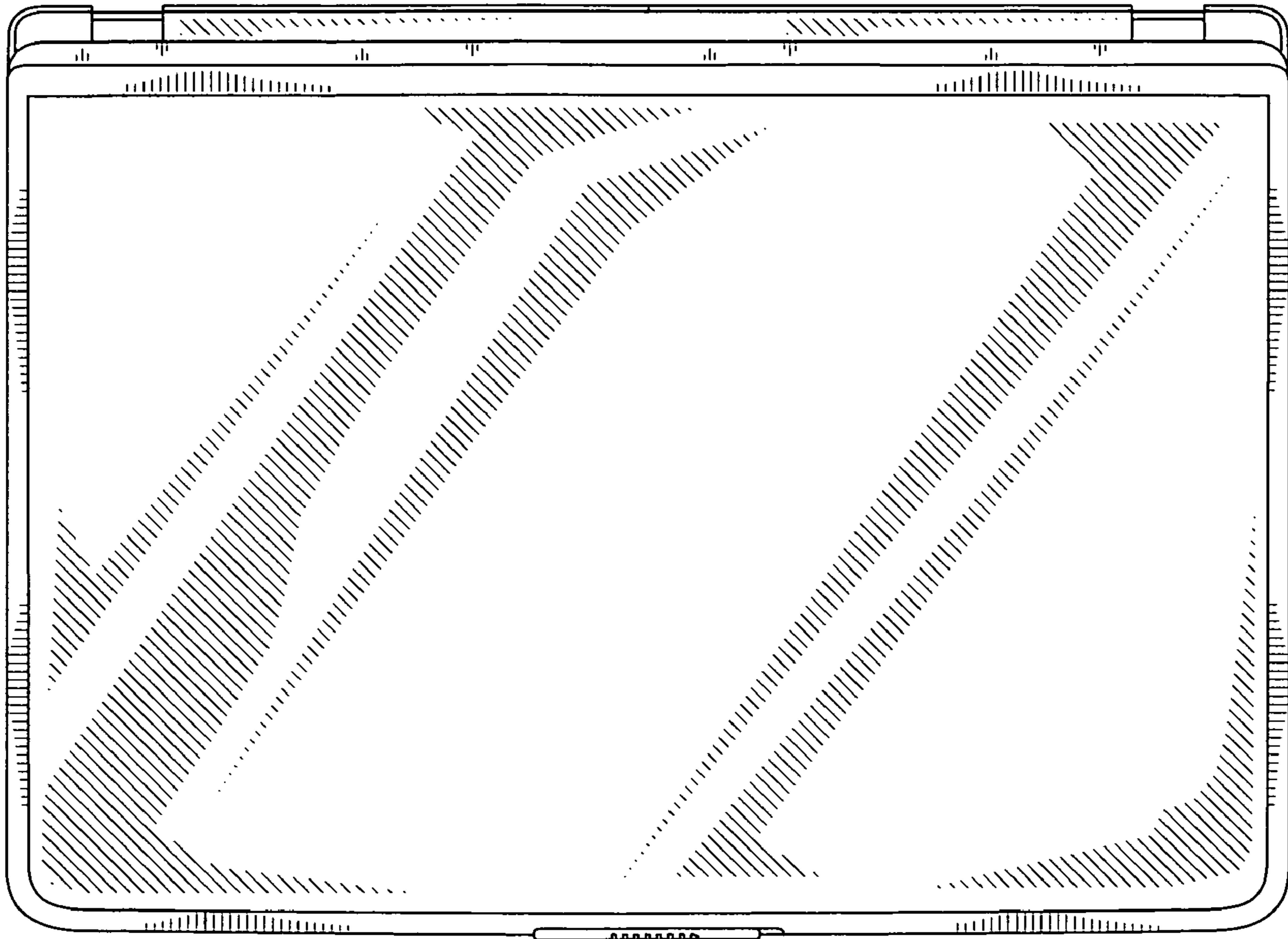


FIG. 6

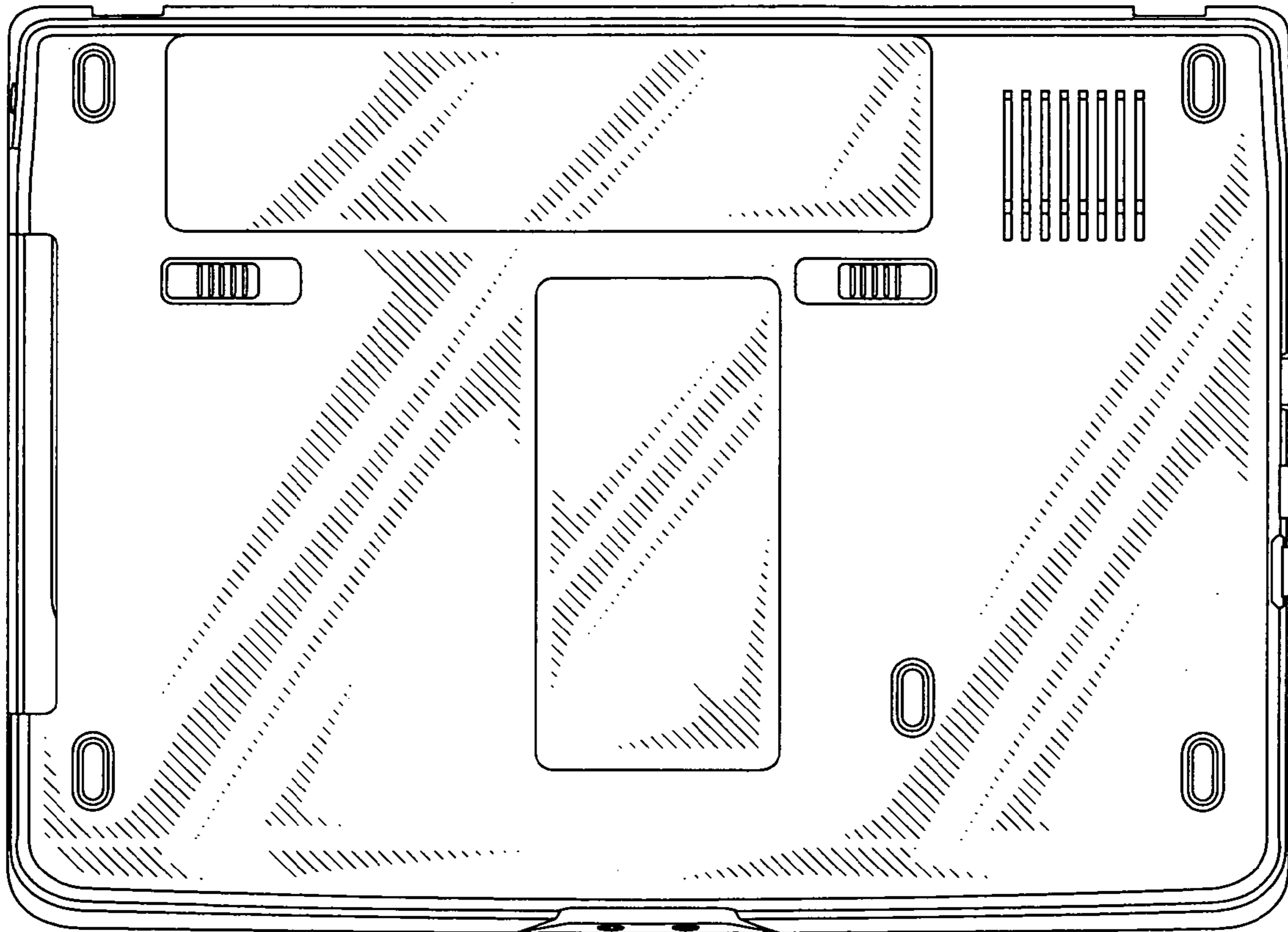


FIG. 7