



US00D611939S

(12) **United States Design Patent**
Quilling, II

(10) **Patent No.:** **US D611,939 S**

(45) **Date of Patent:** **** Mar. 16, 2010**

(54) **AUTO STEREO INSTALLATION DEVICE**

D513,508 S * 1/2006 Quilling, II D14/258
D517,061 S * 3/2006 Quilling, II D14/258

(75) Inventor: **R. Spencer Quilling, II**, DeLand, FL
(US)

* cited by examiner

(73) Assignee: **Metra Electronics Corp.**, Holly Hills,
FL (US)

Primary Examiner—Nanda Bondade

(74) *Attorney, Agent, or Firm*—J. Wiley Horton

(**) Term: **14 Years**

(57) **CLAIM**

(21) Appl. No.: **29/308,201**

The ornamental design for an “auto stereo installation device”, as shown and described.

(22) Filed: **Jun. 3, 2008**

DESCRIPTION

(51) **LOC (9) Cl.** **14-01**

FIG. 1 is a perspective view of an auto stereo installation device, showing my design;

(52) **U.S. Cl.** **D14/258**

FIG. 2 is a front elevation view of FIG. 1;

(58) **Field of Classification Search** D14/157,
D14/217, 224, 257–258; 360/4; 369/75.11;
720/658, 691; 455/344, 575.1

FIG. 3 is a rear elevation view of FIG. 1;

FIG. 4 is a right side elevation view of FIG. 1;

See application file for complete search history.

FIG. 5 is a left side elevation view of FIG. 1;

FIG. 6 is a top plan view of FIG. 1; and,

FIG. 7 is a bottom plan view of FIG. 1.

(56) **References Cited**

U.S. PATENT DOCUMENTS

The broken lines shown in all views illustrate mounting features which form no part of the claimed design.

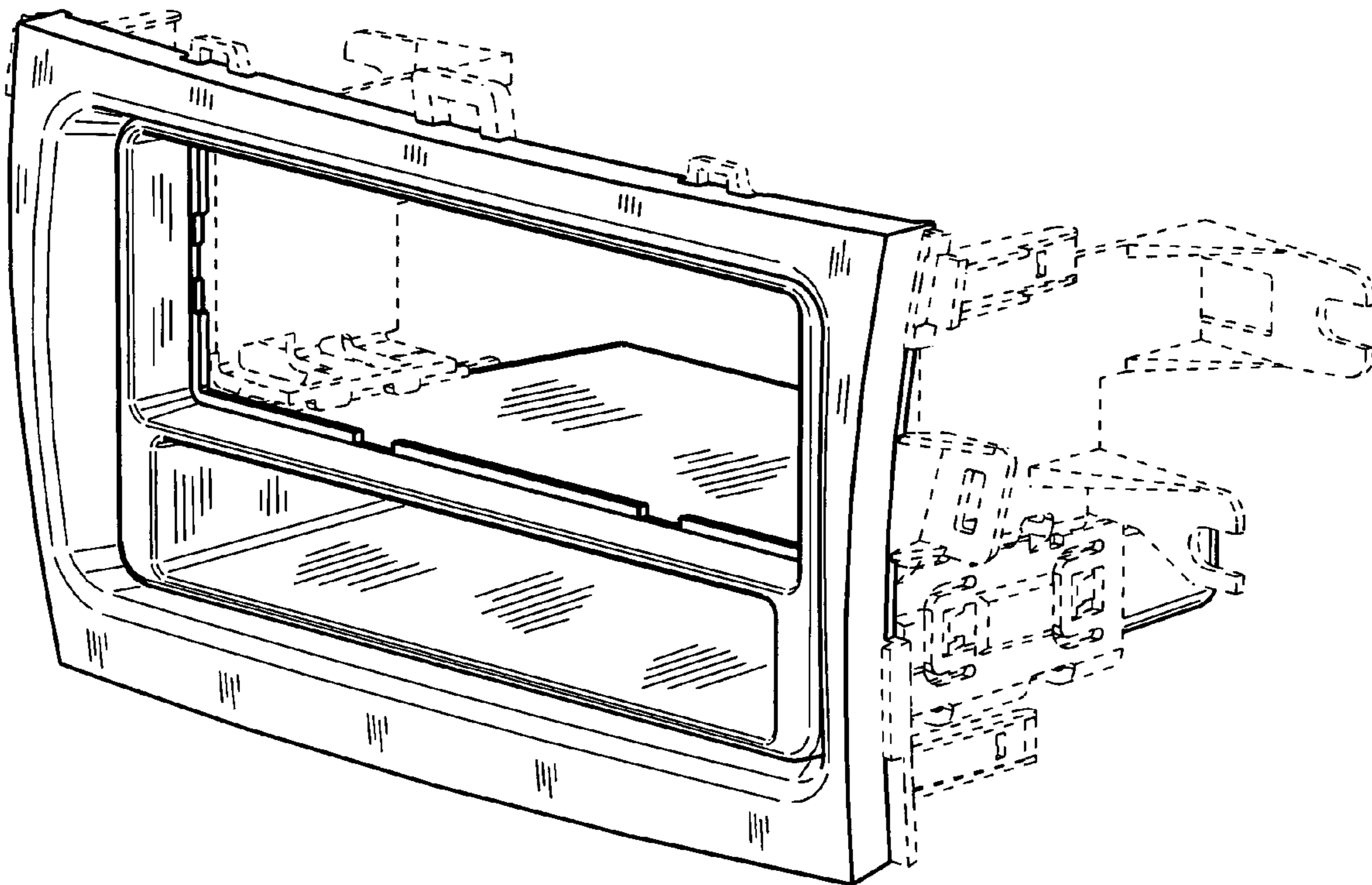
D503,400 S * 3/2005 Quilling, II D14/258

D504,423 S * 4/2005 Quilling, II D14/258

D507,791 S * 7/2005 Quilling, II D14/224

D508,486 S * 8/2005 Quilling, II D14/224

1 Claim, 7 Drawing Sheets



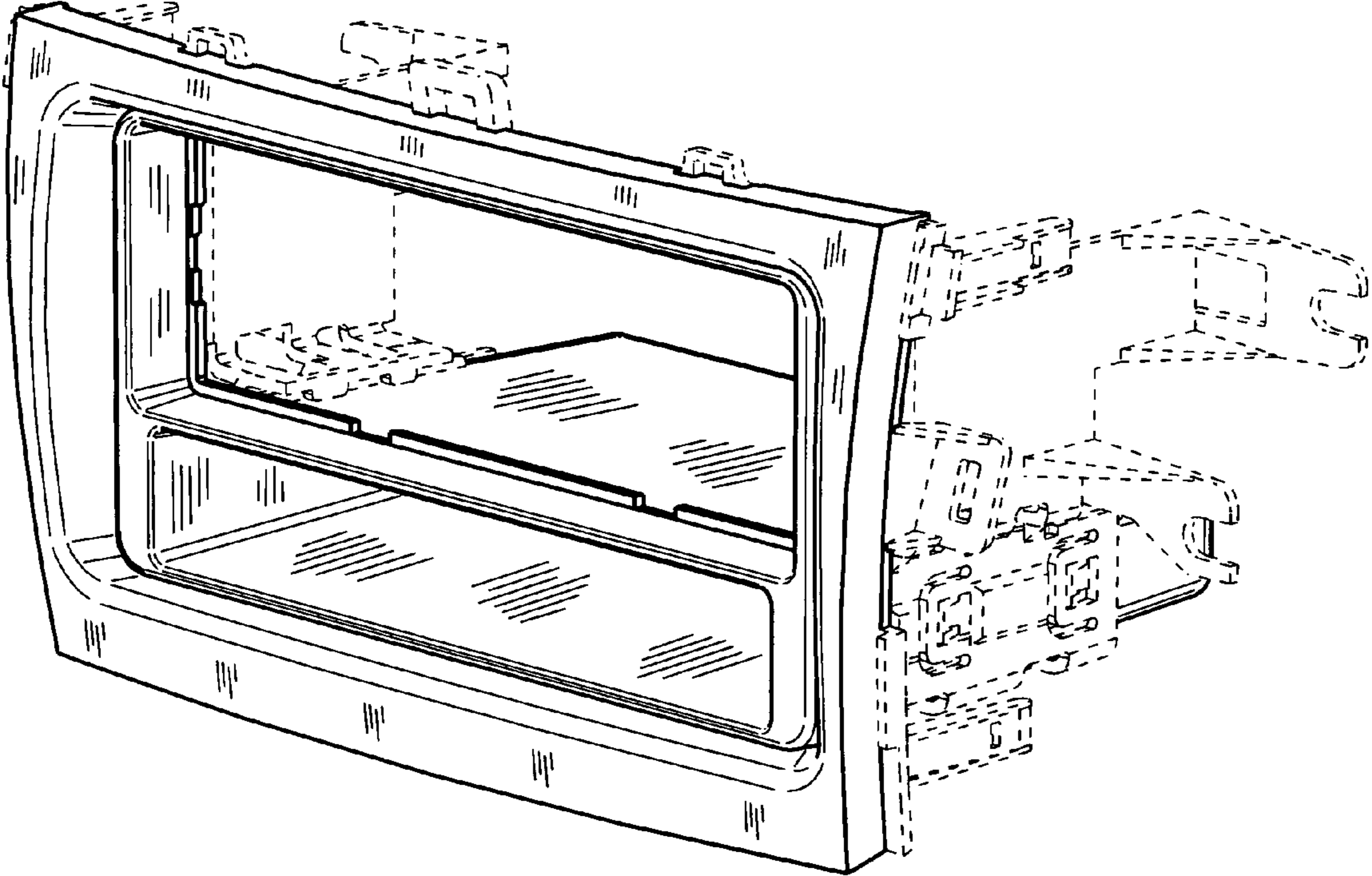


FIG. 1

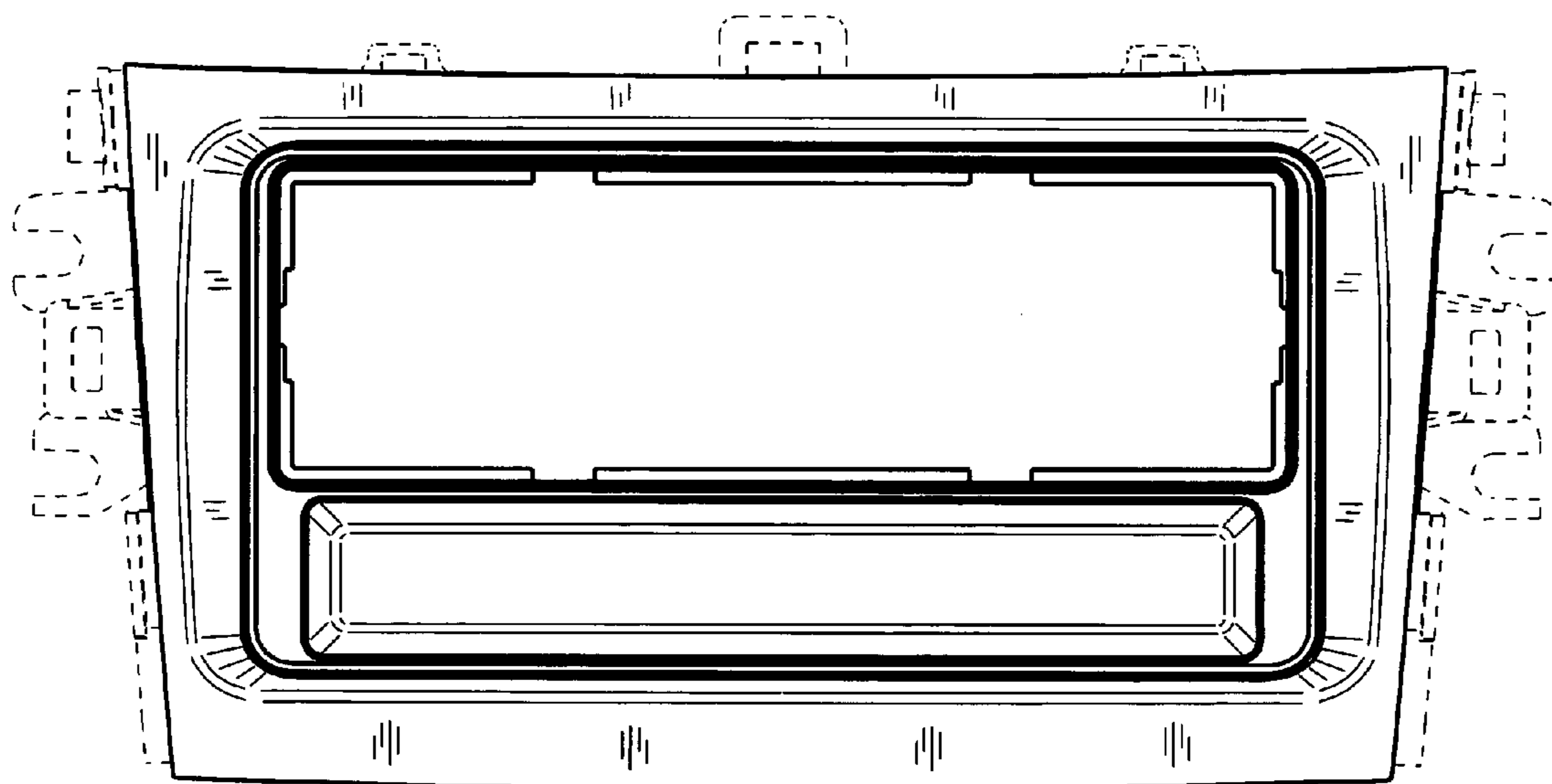


FIG. 2

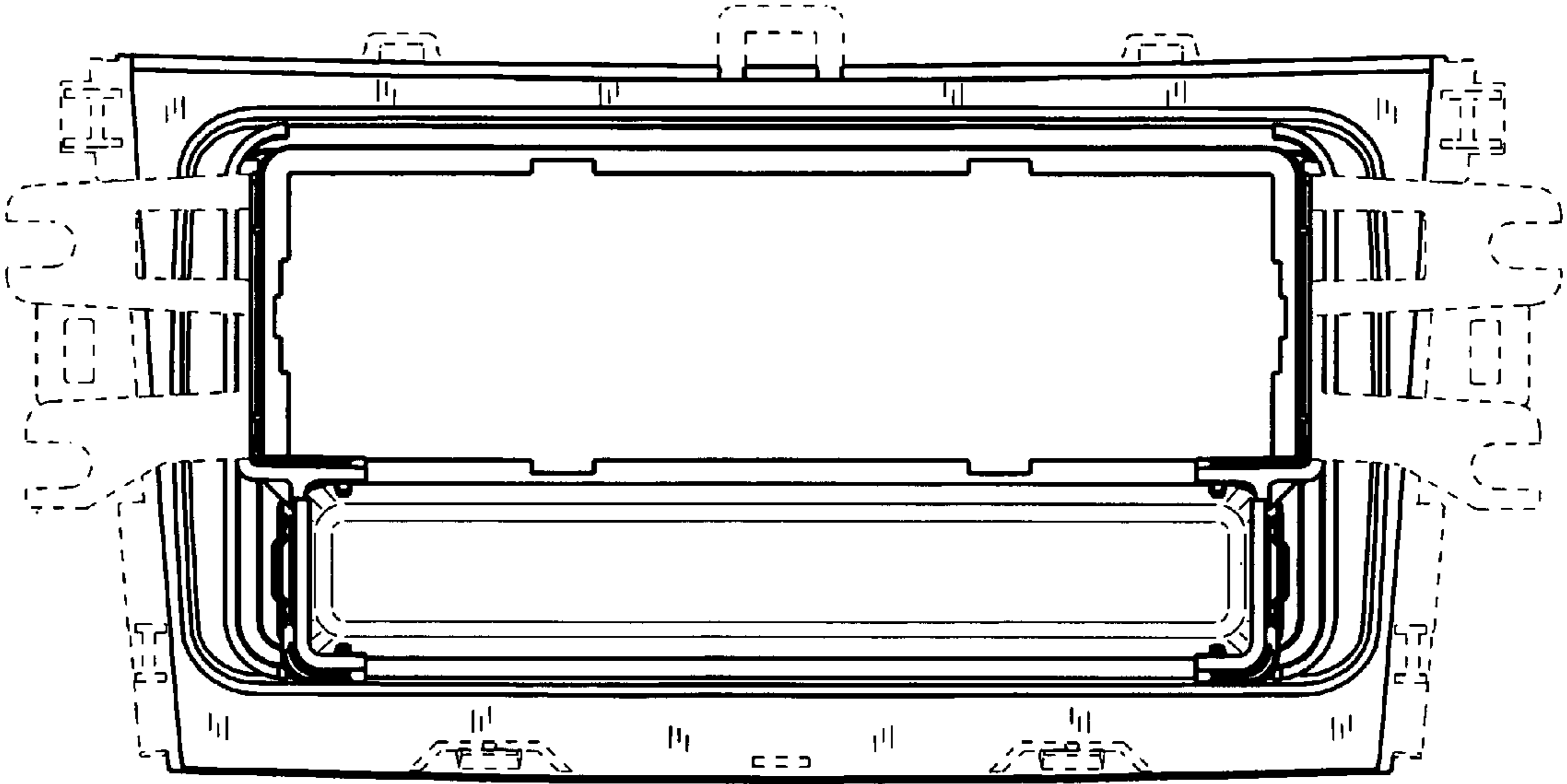


FIG. 3

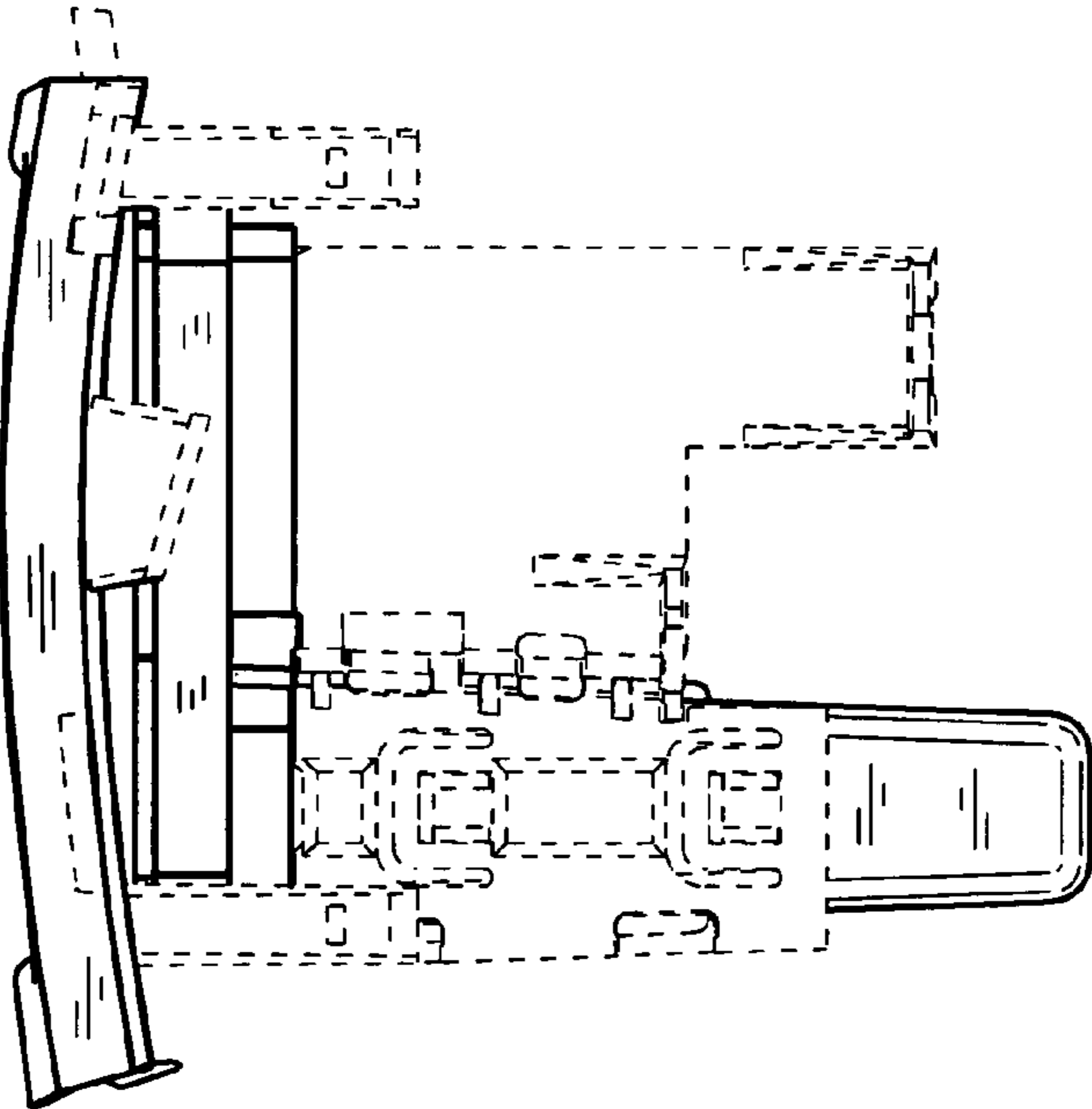


FIG. 4

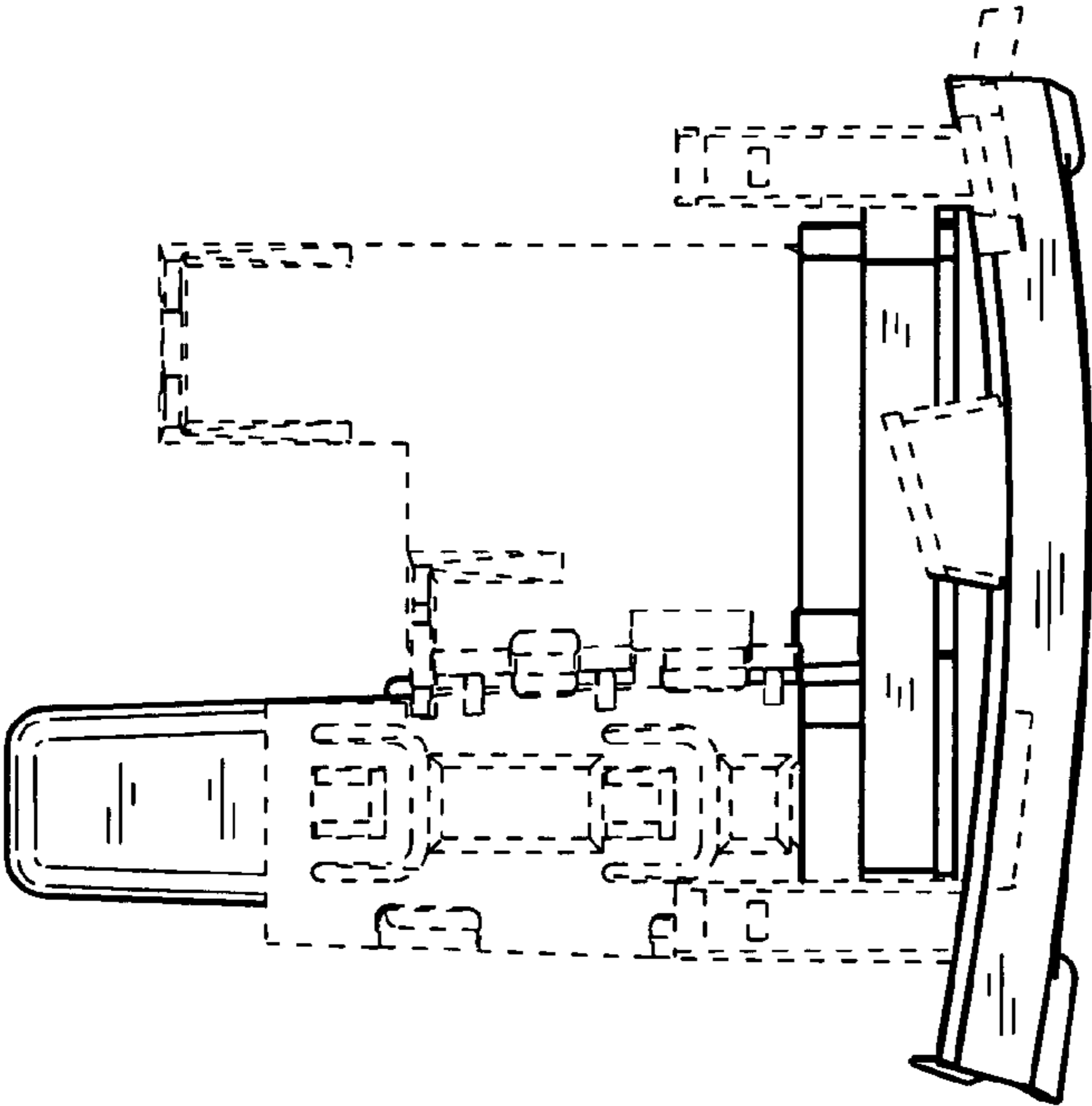


FIG. 5

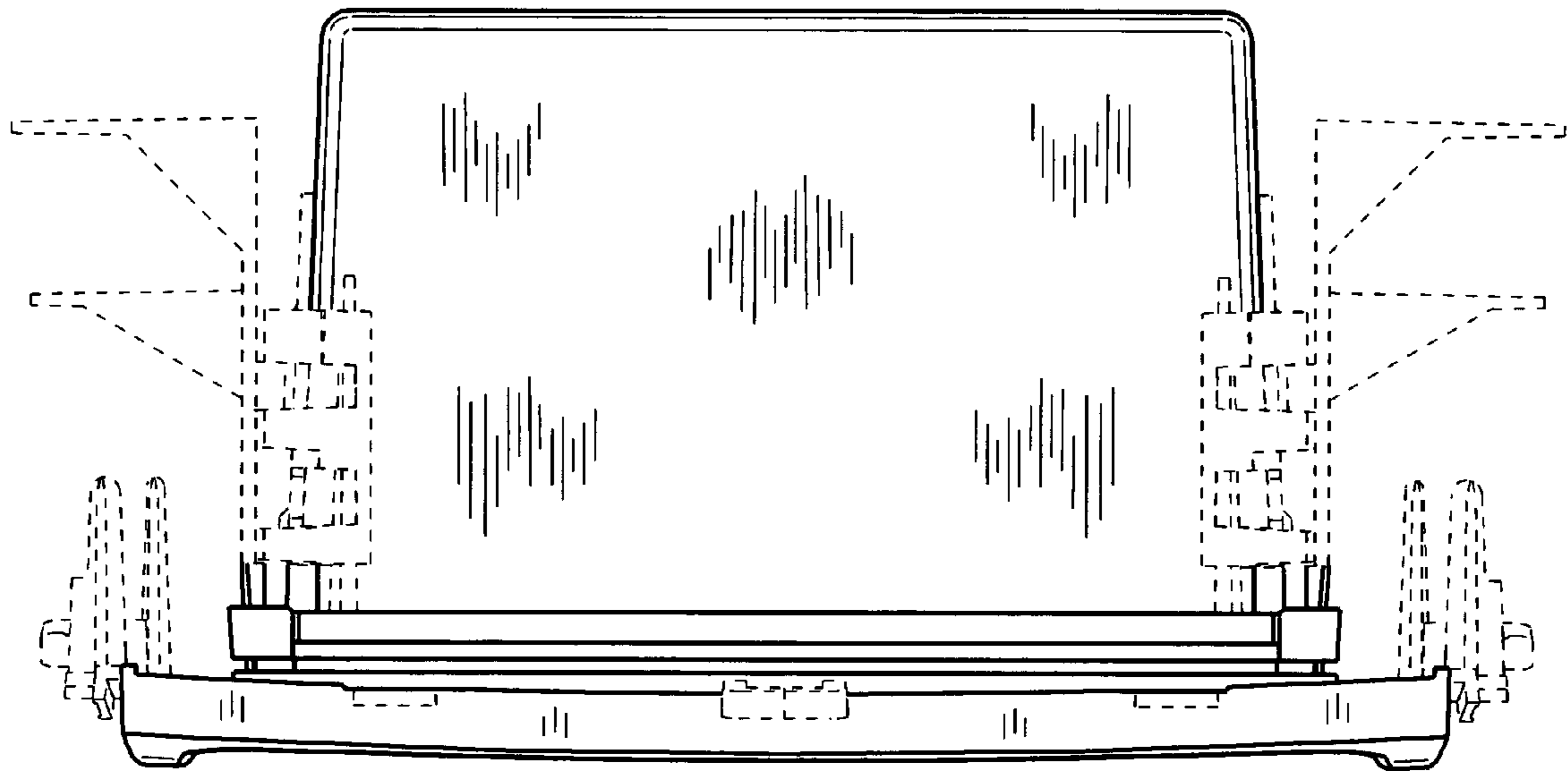


FIG. 6

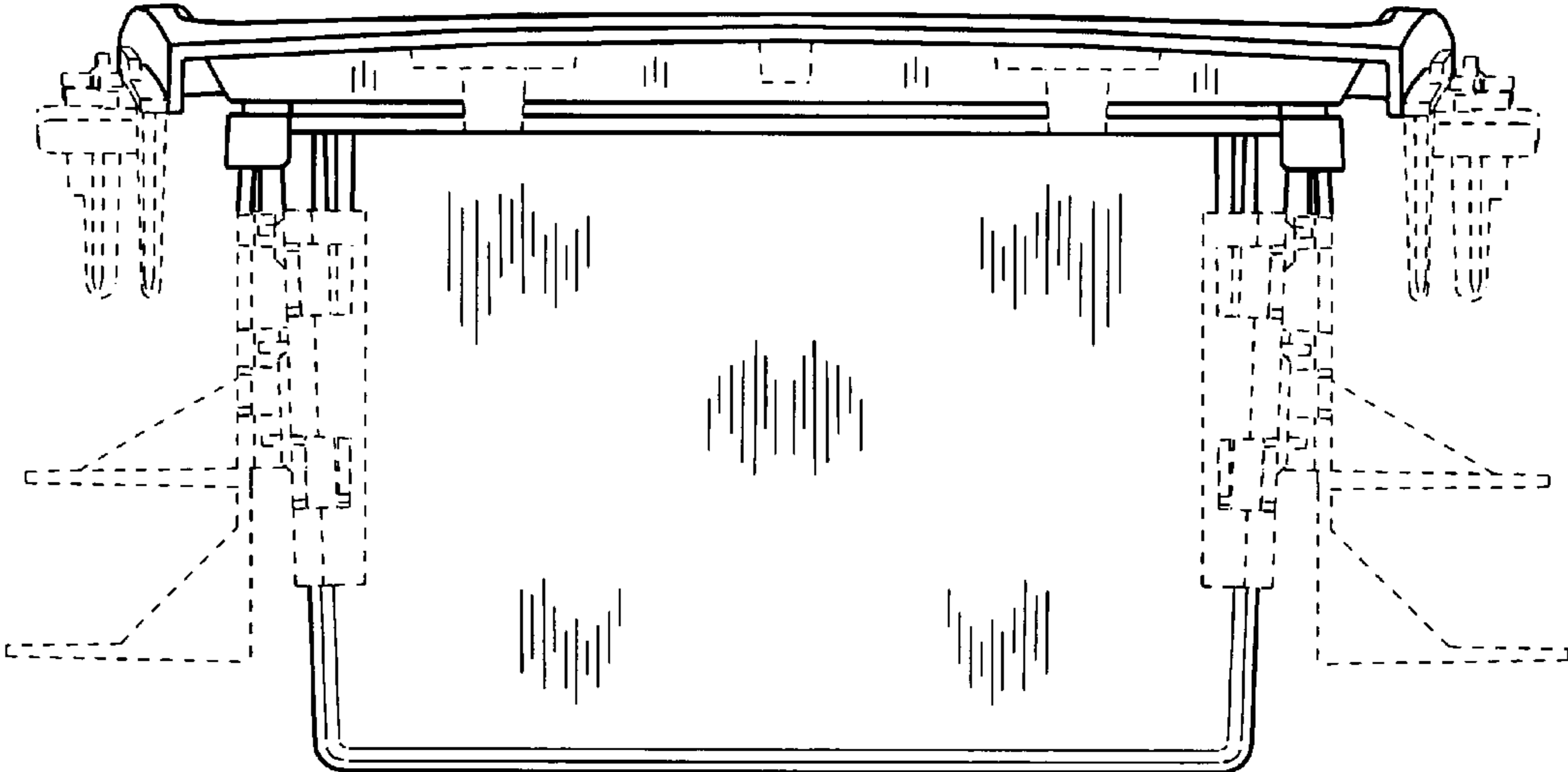


FIG. 7