



US00D611937S

(12) **United States Design Patent**
Griffin et al.

(10) **Patent No.:** **US D611,937 S**
(45) **Date of Patent:** **** Mar. 16, 2010**

- (54) **KEYBOARD OF A HAND-HELD ELECTRONIC DEVICE**
- (75) Inventors: **Jason T. Griffin**, Kitchener (CA);
Cortez Corley, Waterloo (CA)
- (73) Assignee: **Research In Motion Limited**, Waterloo,
Ontario (CA)
- (**) Term: **14 Years**
- (21) Appl. No.: **29/345,098**
- (22) Filed: **Oct. 9, 2009**

D591,743	S	*	5/2009	Corley et al.	D14/346
D593,569	S	*	6/2009	Wun et al.	D14/455
D594,869	S	*	6/2009	Rak et al.	D14/455
D595,724	S	*	7/2009	Corley et al.	D14/455
D596,600	S	*	7/2009	Wun et al.	D14/138 AB
D602,018	S	*	10/2009	Griffin et al.	D14/346
2006/0263137	A1	*	11/2006	Griffin	400/485
2007/0166091	A1	*	7/2007	Griffin	400/486
2007/0191078	A1	*	8/2007	Kim	455/575.4
2007/0211034	A1	*	9/2007	Griffin et al.	345/169
2007/0259698	A1	*	11/2007	Chen et al.	455/566
2007/0281733	A1	*	12/2007	Griffin et al.	455/550.1
2009/0135029	A1	*	5/2009	Ladouceur et al.	341/23

Related U.S. Application Data

- (62) Division of application No. 29/253,917, filed on Feb. 13, 2006, now Pat. No. Des. 602,018.

- (51) **LOC (9) Cl.** **14-03**
- (52) **U.S. Cl.** **D14/247**; D14/455
- (58) **Field of Classification Search** D14/137,
D14/138 R, 138 AA, 138 AB, 138 AC, 138 AD,
D14/138 C, 138 G, 147-148, 156, 190-192,
D14/218, 247-248, 341-347, 390, 399, 455-456,
D14/496; D10/65, 78, 104; D13/164, 168;
D21/329, 331, 333, 517; 343/702; 345/167,
345/168, 169; 348/14.01-14.02; 361/814;
379/433.01-433.13; 439/165; 455/90.3,
455/556.1-556.2, 566, 575.1, 575.3, 575.4

See application file for complete search history.

(56) **References Cited**

U.S. PATENT DOCUMENTS

D521,506	S	*	5/2006	Tyneski et al.	D14/247
D523,007	S	*	6/2006	Corley et al.	D14/247
D524,302	S	*	7/2006	Corley et al.	D14/247
D524,803	S	*	7/2006	Tyneski et al.	D14/247
D550,186	S	*	9/2007	Rak	D14/138 AA
D580,940	S	*	11/2008	Dabov	D14/455
D587,264	S	*	2/2009	Griffin et al.	D14/346

OTHER PUBLICATIONS

BlackBerry 7100t, announced 4Q 2004, <URL:http://www.gsmarena.com/blackberry_7100t-pictures-1011.php>, retrieved from internet Dec. 10, 2009.*

(Continued)

Primary Examiner—Robert M Spear
Assistant Examiner—Carla Jobe Wright
(74) *Attorney, Agent, or Firm*—Novak Druce + Quigg LLP

(57) **CLAIM**

We claim the ornamental design for a keyboard of a hand-held electronic device, as shown and described.

DESCRIPTION

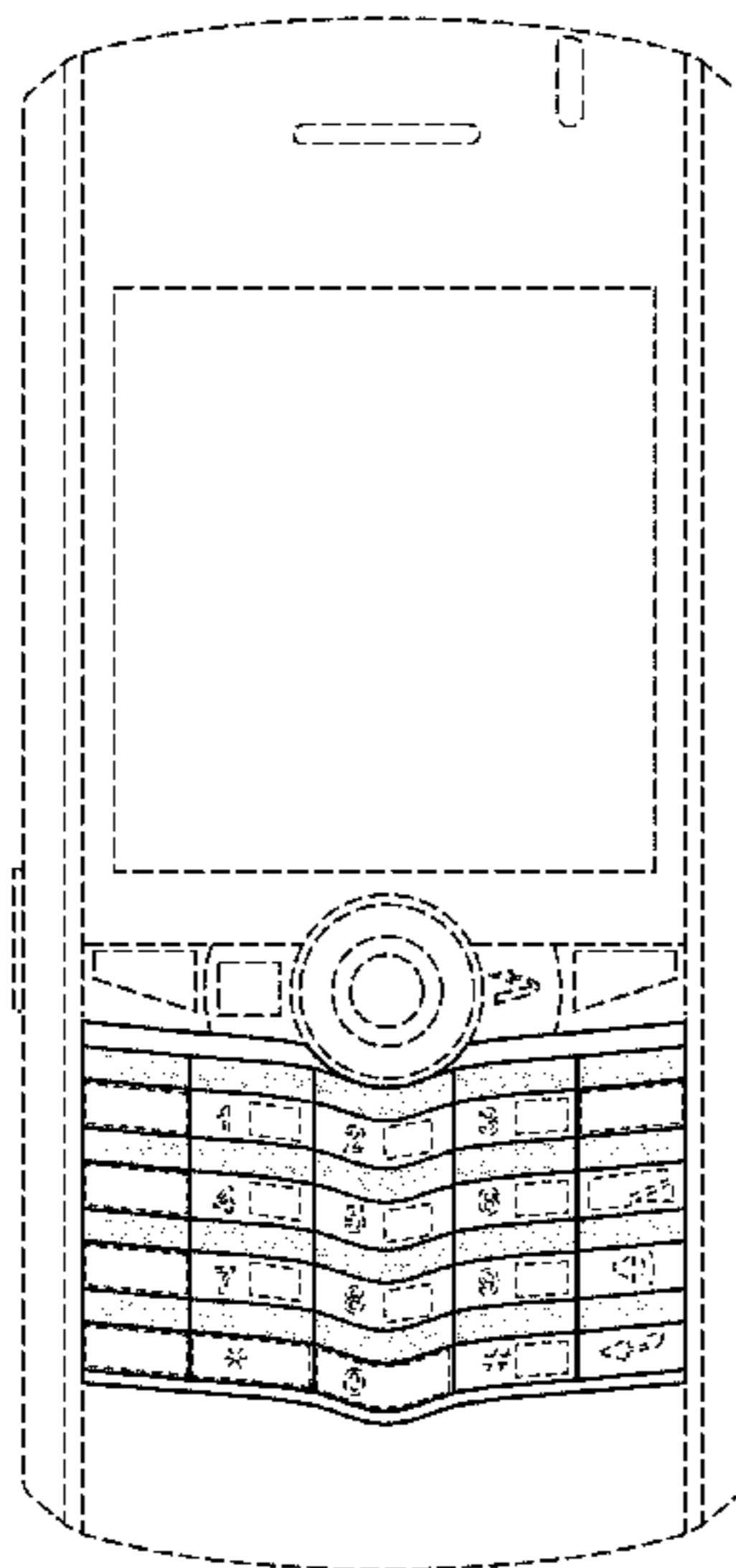
FIG. 1 is a front elevational view of a keyboard of a hand-held electronic device; and,

FIG. 2 is a perspective view thereof.

The broken lines are directed to environment and are for illustrative purposes only; any boundary created by the broken lines is unclaimed; the broken lines and the areas that are bounded by broken lines form no part of the claimed design.

The stippled shading shown on portions of the keyboard in FIGS. 1 and 2 represents color contrast.

1 Claim, 2 Drawing Sheets



OTHER PUBLICATIONS

BlackBerry 7130g, announced Jun. 2006, <URL:http://www.gsmarena.com/blackberry_7130g-pictures-1622.php>, retrieved from internet Dec. 10, 2009.*

BlackBerry Pearl 8100, announced Sep. 2006, <URL:http://www.gsmarena.com/blackberry_pearl_8100-pictures-1701.php>, retrieved from internet Dec. 10, 2009.*

* cited by examiner

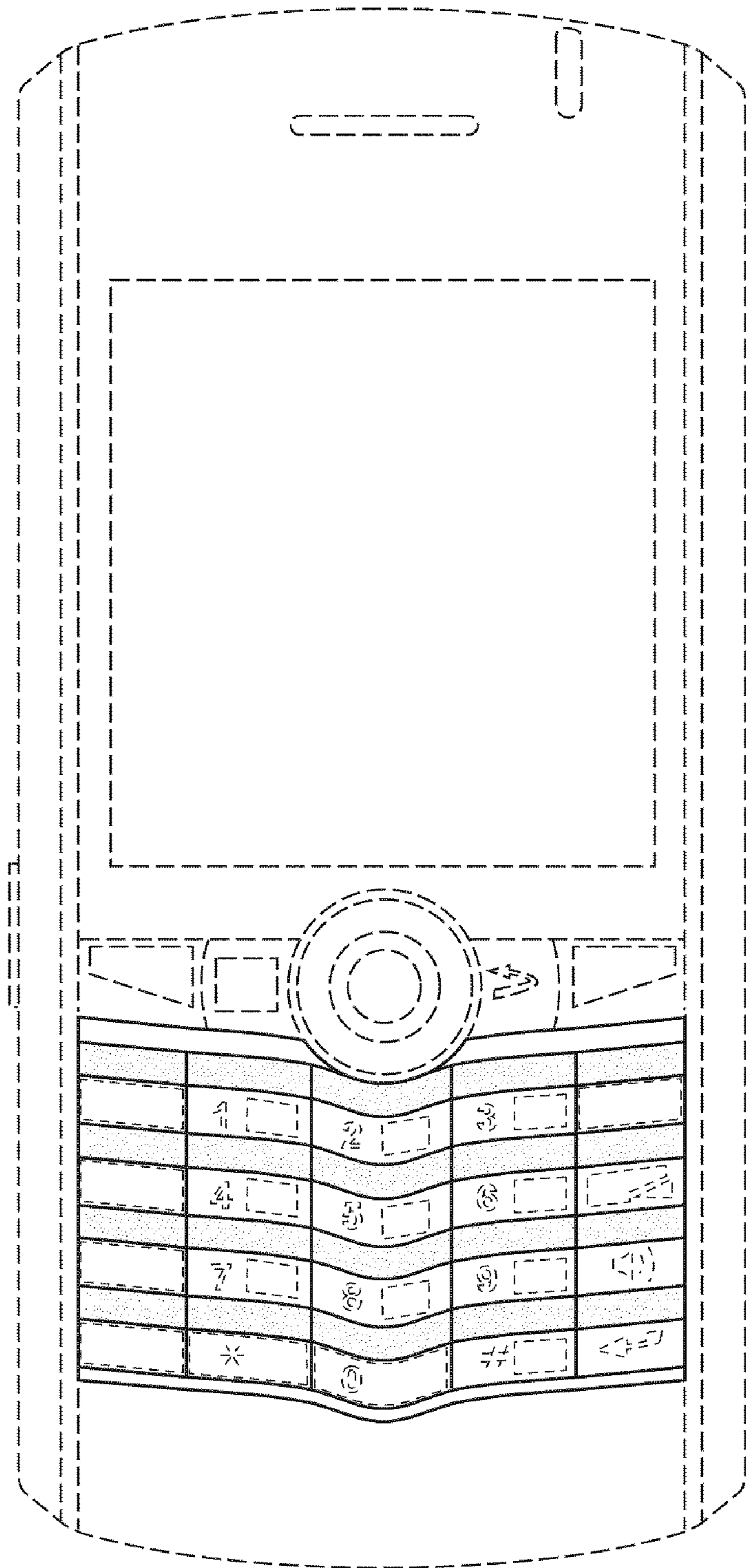


FIG. 1

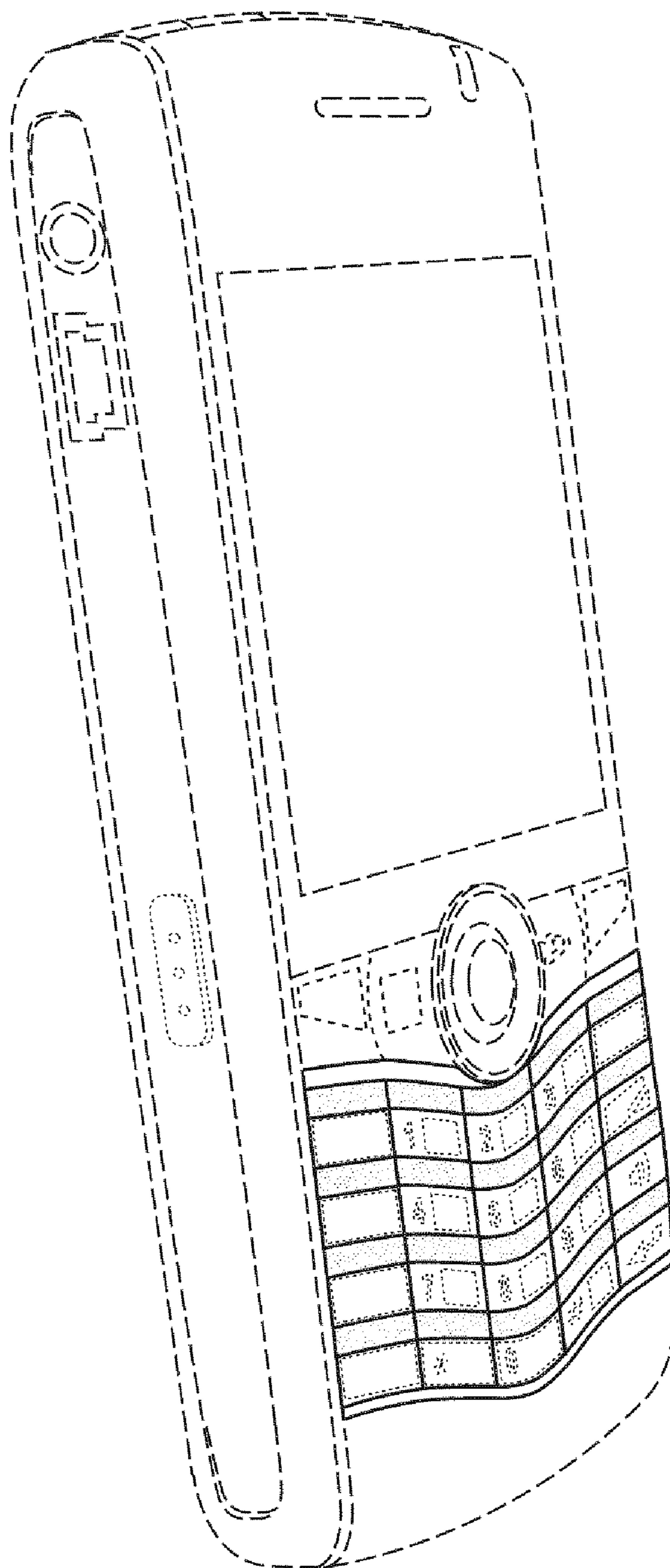


FIG. 2