



US00D611934S

(12) **United States Design Patent**  
**Schaefer**

(10) **Patent No.:** **US D611,934 S**  
(45) **Date of Patent:** **\*\* Mar. 16, 2010**

(54) **AUDIO HEADSET**

(75) Inventor: **Stephen J. Schaefer**, Laguna Niguel,  
CA (US)

(73) Assignee: **SJS & Sons, Inc.**, Laguna Niguel, CA  
(US)

(\*\*) Term: **14 Years**

(21) Appl. No.: **29/333,669**

(22) Filed: **Mar. 12, 2009**

(51) **LOC (9) Cl.** ..... **14-01**

(52) **U.S. Cl.** ..... **D14/223**

(58) **Field of Classification Search** ..... D14/205,  
D14/206, 223, 173, 174, 188, 192, 242; D24/173,  
D24/174, 106; 181/129, 130, 135; 379/430,  
379/433.01, 433.02, 433.03; 381/328; 128/864,  
128/865

See application file for complete search history.

(56) **References Cited**

**U.S. PATENT DOCUMENTS**

1,478,545	A *	12/1923	Bishop	.....	381/394
2,363,175	A *	11/1944	Grossman	.....	381/322
2,377,739	A *	6/1945	Wyckoff	.....	181/132
3,259,128	A *	7/1966	Leight	.....	128/865
3,594,817	A *	7/1971	Kelly	.....	2/456
3,983,336	A *	9/1976	Malek et al.	.....	381/313
4,133,984	A *	1/1979	Akiyama	.....	381/328
4,443,668	A *	4/1984	Warren	.....	455/351
4,498,555	A *	2/1985	Cerny	.....	181/129
4,554,993	A *	11/1985	Houng	.....	181/130
4,620,605	A *	11/1986	Gore et al.	.....	181/135
D367,113	S *	2/1996	Weeks	.....	D24/174
D457,514	S *	5/2002	Marion et al.	.....	D14/223
D459,342	S *	6/2002	Marion et al.	.....	D14/223
D467,907	S *	12/2002	Marion et al.	.....	D14/223
D469,753	S *	2/2003	Andre et al.	.....	D14/205
6,913,142	B2 *	7/2005	Gray	.....	206/321

D512,049	S *	11/2005	Yang	.....	D14/223
D514,552	S *	2/2006	Lee et al.	.....	D14/223
D516,058	S *	2/2006	Garcia	.....	D14/205
D554,627	S *	11/2007	Gondo	.....	D14/223
D555,152	S *	11/2007	Wang	.....	D14/223
D564,495	S *	3/2008	Sasaki	.....	D14/205
D567,217	S *	4/2008	Kamo et al.	.....	D14/205
D573,978	S *	7/2008	Ledbetter et al.	.....	D14/205
D576,154	S *	9/2008	Ledbetter et al.	.....	D14/223
D579,005	S *	10/2008	Wilhelmsen	.....	D14/223
D579,444	S *	10/2008	Ewert et al.	.....	D14/223
D587,681	S *	3/2009	Yanai	.....	D14/205
D587,685	S *	3/2009	Densho	.....	D14/206
D590,375	S *	4/2009	Komiyama	.....	D14/223
D593,997	S *	6/2009	Mauritzsson	.....	D14/223
D594,441	S *	6/2009	Lee et al.	.....	D14/205
7,551,748	B2 *	6/2009	Kamo et al.	.....	381/380

\* cited by examiner

*Primary Examiner*—Paula Greene

(74) *Attorney, Agent, or Firm*—Niky Economy Syrengelas,  
Esq.; Crockett & Crockett

(57) **CLAIM**

The ornamental design for an audio headset, as shown and described.

**DESCRIPTION**

FIG. 1 is a perspective view thereof of an audio headset showing my new design;

FIG. 2 is a left side view thereof;

FIG. 3 is a right side view thereof;

FIG. 4 is a top view thereof;

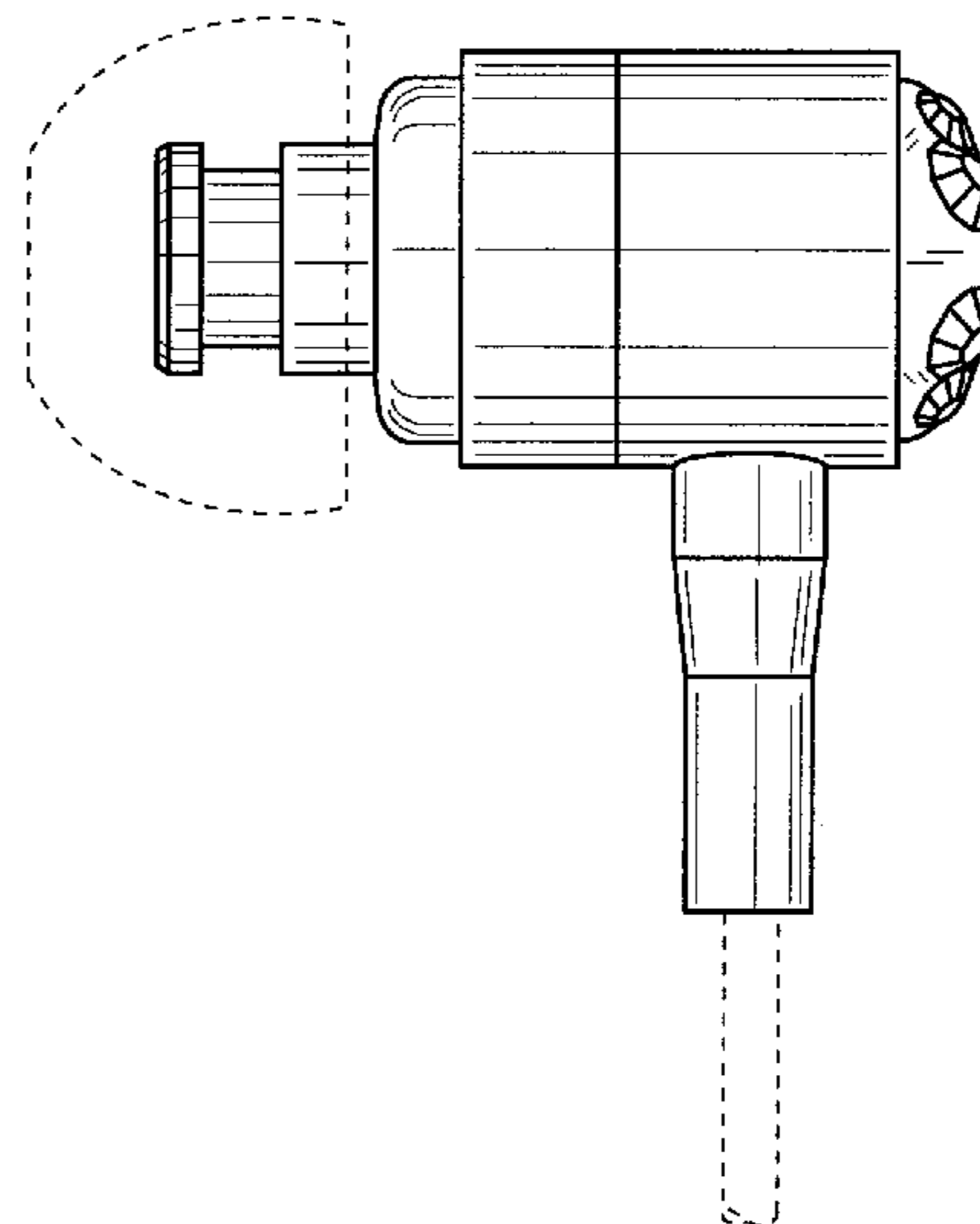
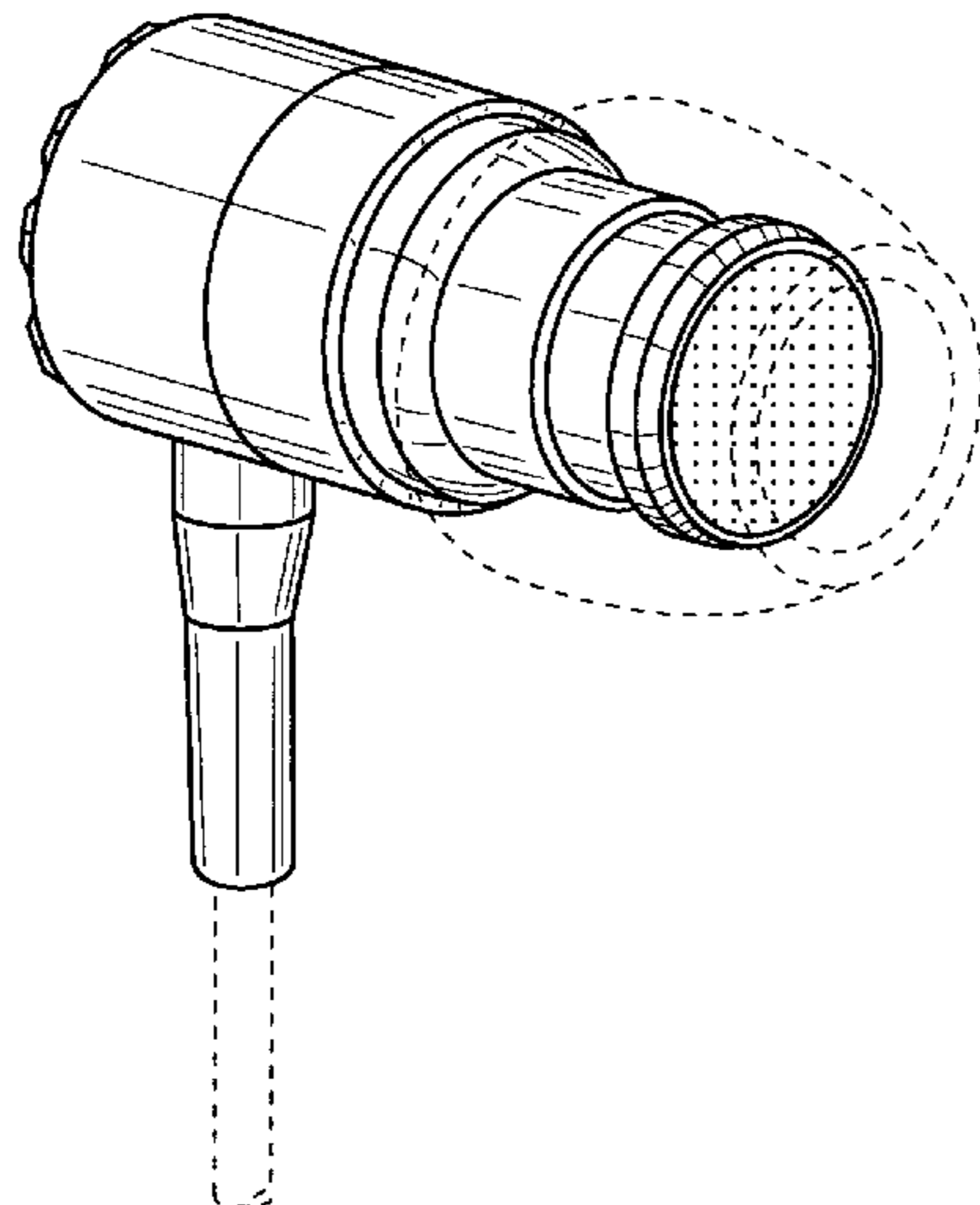
FIG. 5 is a bottom view thereof;

FIG. 6 is a front view thereof; and,

FIG. 7 is a rear view thereof.

The broken lines form no part of the claimed design.

**1 Claim, 4 Drawing Sheets**



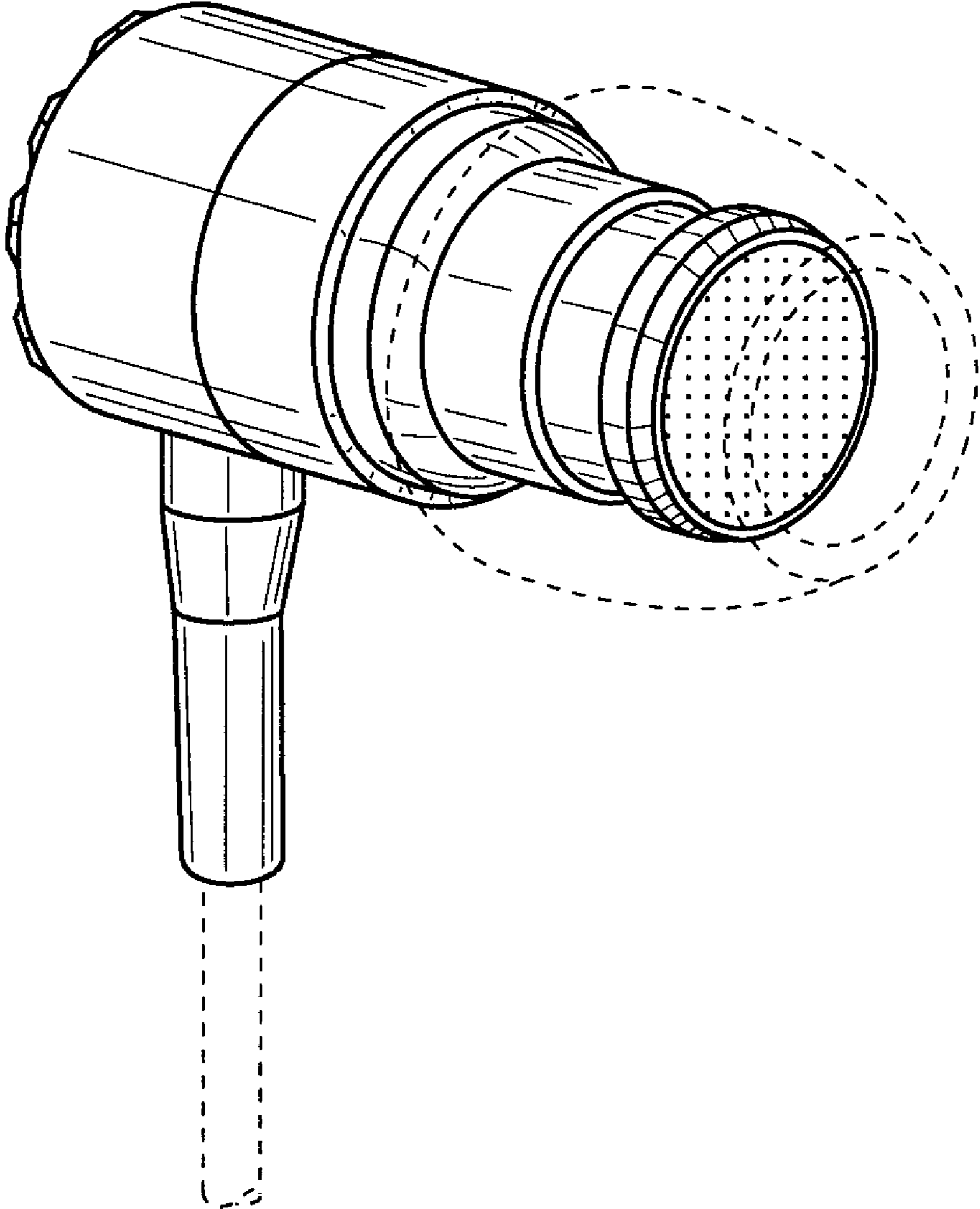


FIG. 1

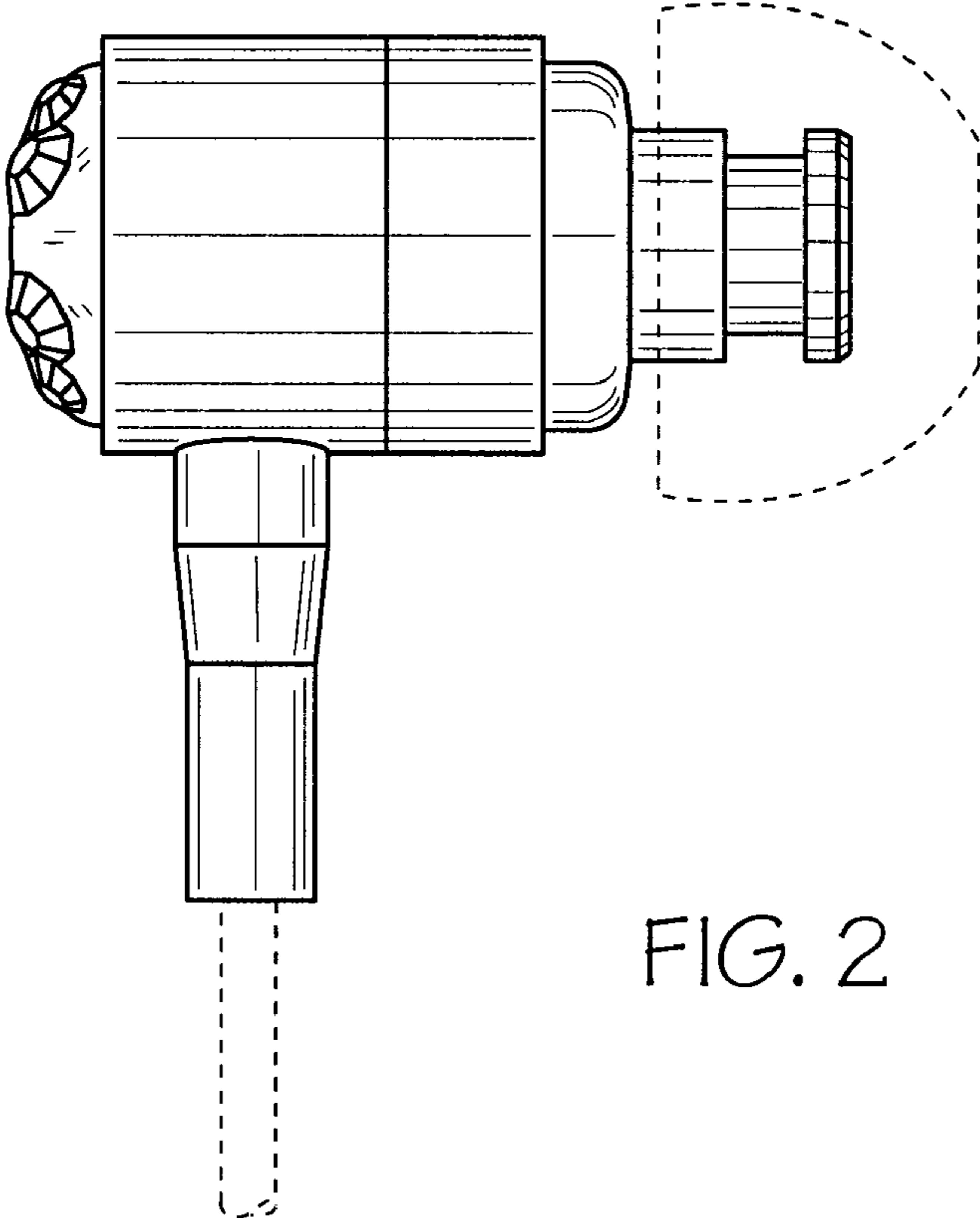


FIG. 2

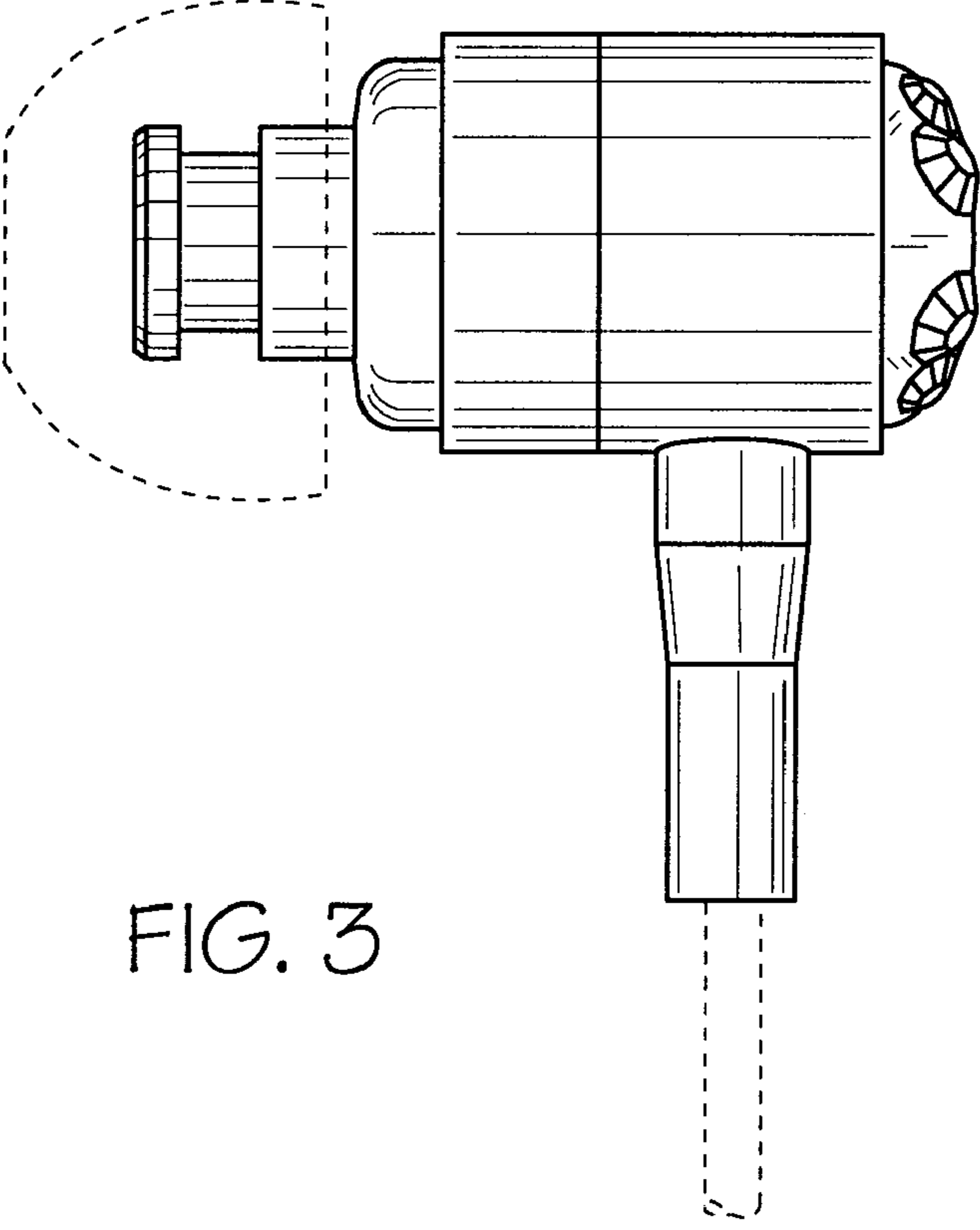


FIG. 3

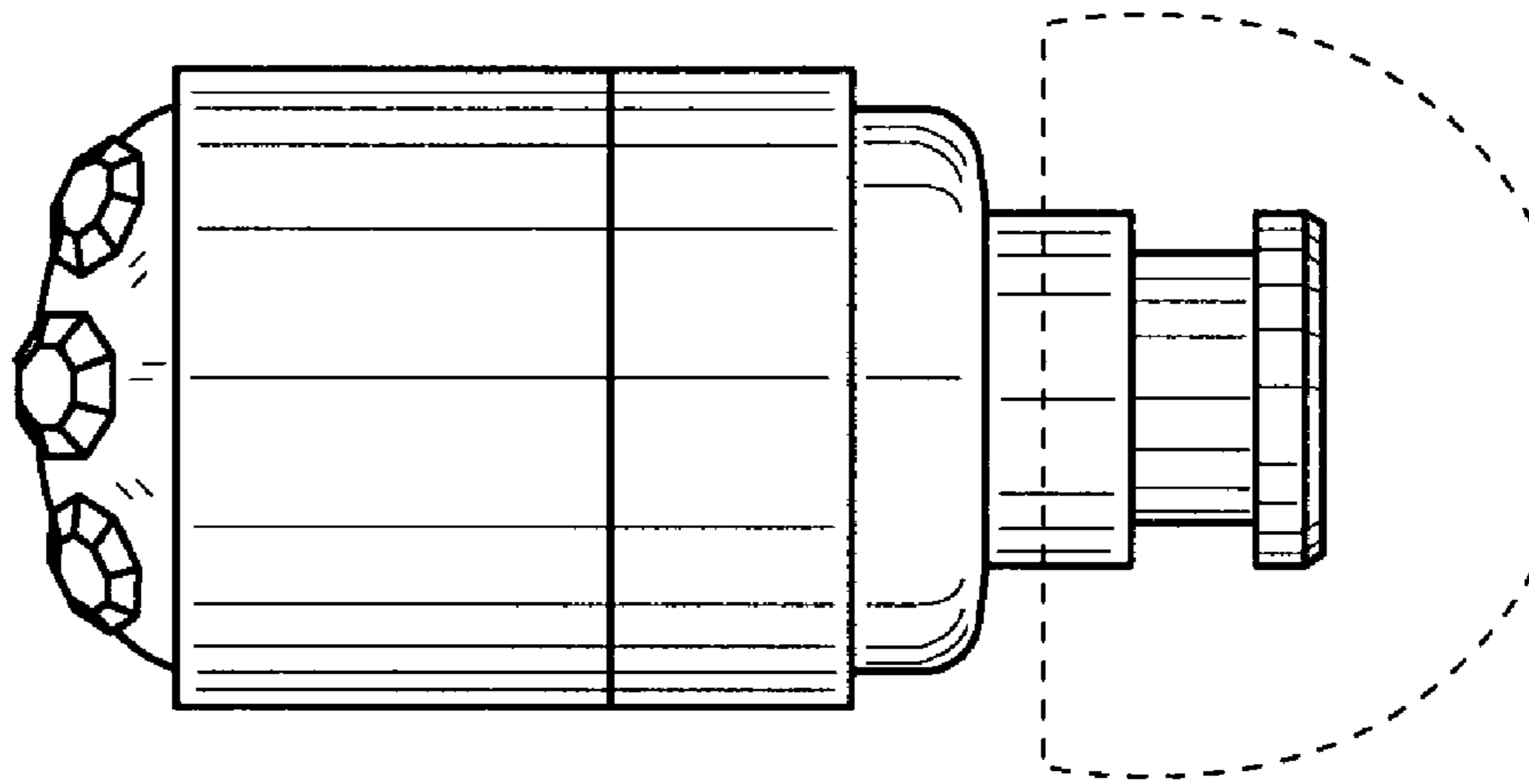


FIG. 4

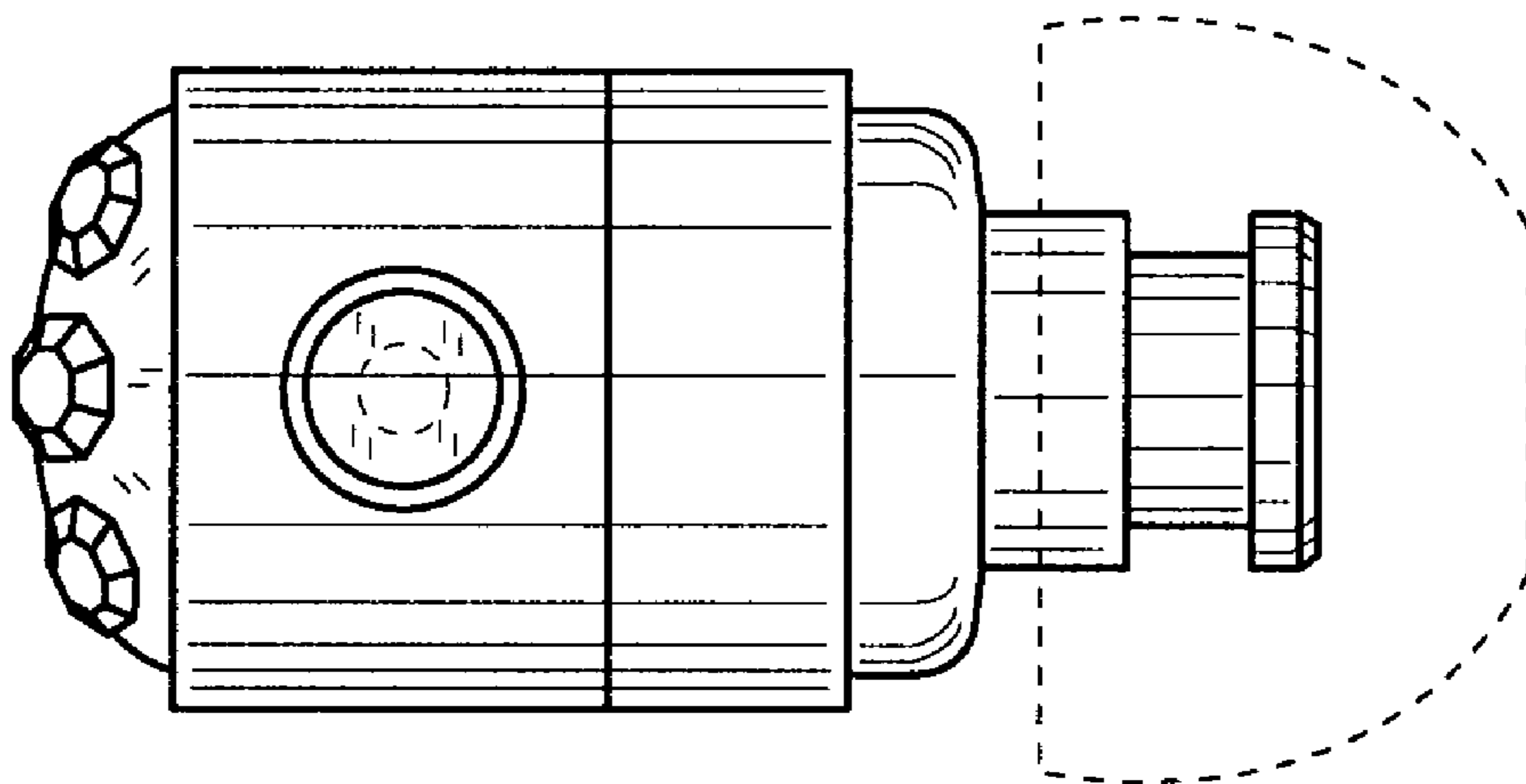


FIG. 5

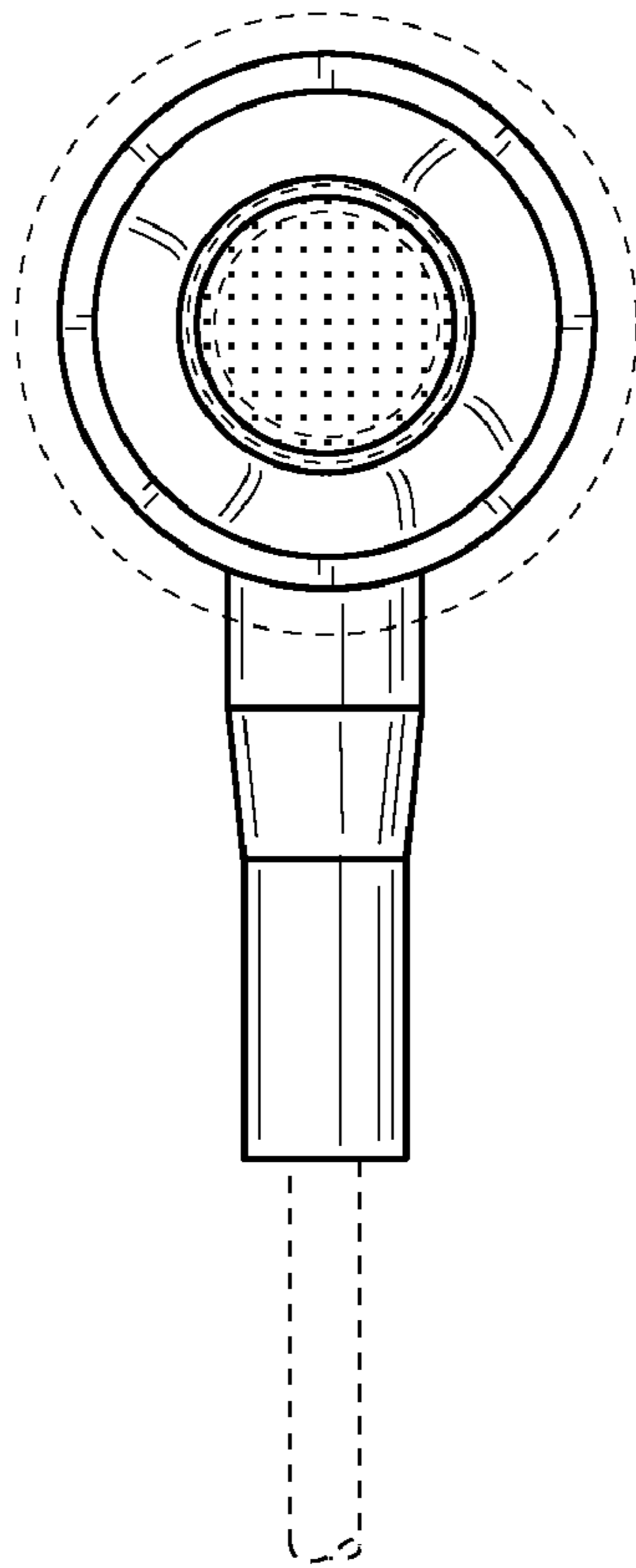


FIG. 6

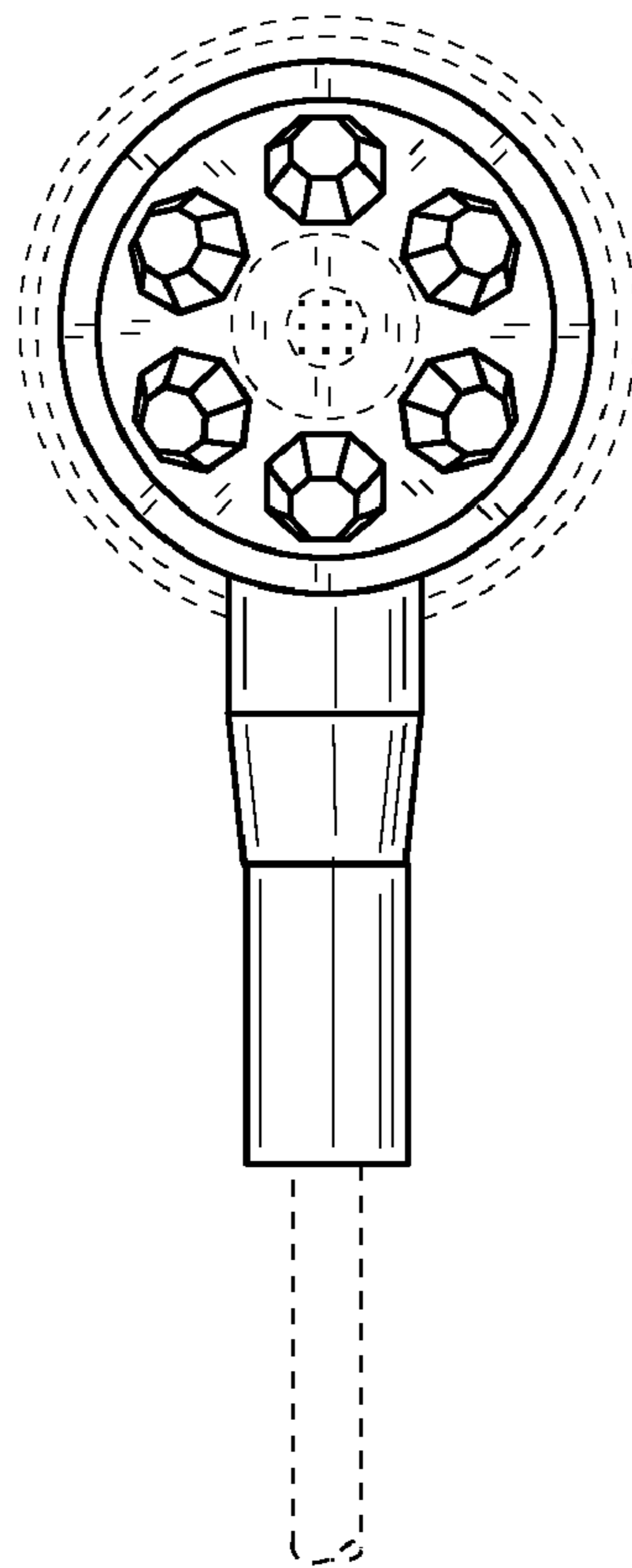


FIG. 7