



US00D611928S

(12) **United States Design Patent**
Hansen et al.

(10) **Patent No.:** **US D611,928 S**
(45) **Date of Patent:** **** Mar. 16, 2010**

(54) **WIRELESS HOME AUDIO DEVICE**

(75) Inventors: **Eskild Timme Hansen**, Copenhagen OE (DK); **David Gresham**, East Hampton, NY (US)

(73) Assignee: **Cisco Technology, Inc.**, San Jose, CA (US)

(**) Term: **14 Years**

(21) Appl. No.: **29/325,415**

(22) Filed: **Sep. 30, 2008**

(51) **LOC (9) Cl.** **14-03**

(52) **U.S. Cl.** **D14/188**

(58) **Field of Classification Search** D14/137, D14/138, 155, 160-171, 188, 189, 193-198, D14/204, 207, 213, 214, 217, 265, 299, 496; D13/107, 108, 118; 455/90.1-90.3, 344-355, 455/899; 369/6-12; 370/342-344

See application file for complete search history.

(56) **References Cited**

U.S. PATENT DOCUMENTS

D384,069 S *	9/1997	Kokkinis	D14/171
D385,561 S *	10/1997	Audoin	D14/171
D402,655 S *	12/1998	Hargrove, III	D14/171
D431,547 S *	10/2000	Mirone	D14/168
D449,590 S *	10/2001	Lewis	D14/188
D468,719 S *	1/2003	Cuvelier	D14/171
D484,484 S *	12/2003	Green	D14/204

D512,988 S *	12/2005	Green	D14/214
D513,612 S *	1/2006	Harris et al.	D14/168
D514,545 S *	2/2006	Watanabe	D14/499
D514,546 S *	2/2006	Chan	D14/171
D517,040 S *	3/2006	Hasegawa et al.	D14/168
D563,387 S *	3/2008	Aquillano	D14/214
D563,388 S *	3/2008	Aquillano	D14/214

* cited by examiner

Primary Examiner—Stella M Reid

Assistant Examiner—Keli L Hill

(74) *Attorney, Agent, or Firm*—Haynes and Boone, LLP.

(57) **CLAIM**

The ornamental design for a wireless home audio device, as shown and described.

DESCRIPTION

FIG. 1 is a front view showing our new wireless home audio device;

FIG. 2 is a side view thereof;

FIG. 3 is a another side view thereof;

FIG. 4 is a back view thereof;

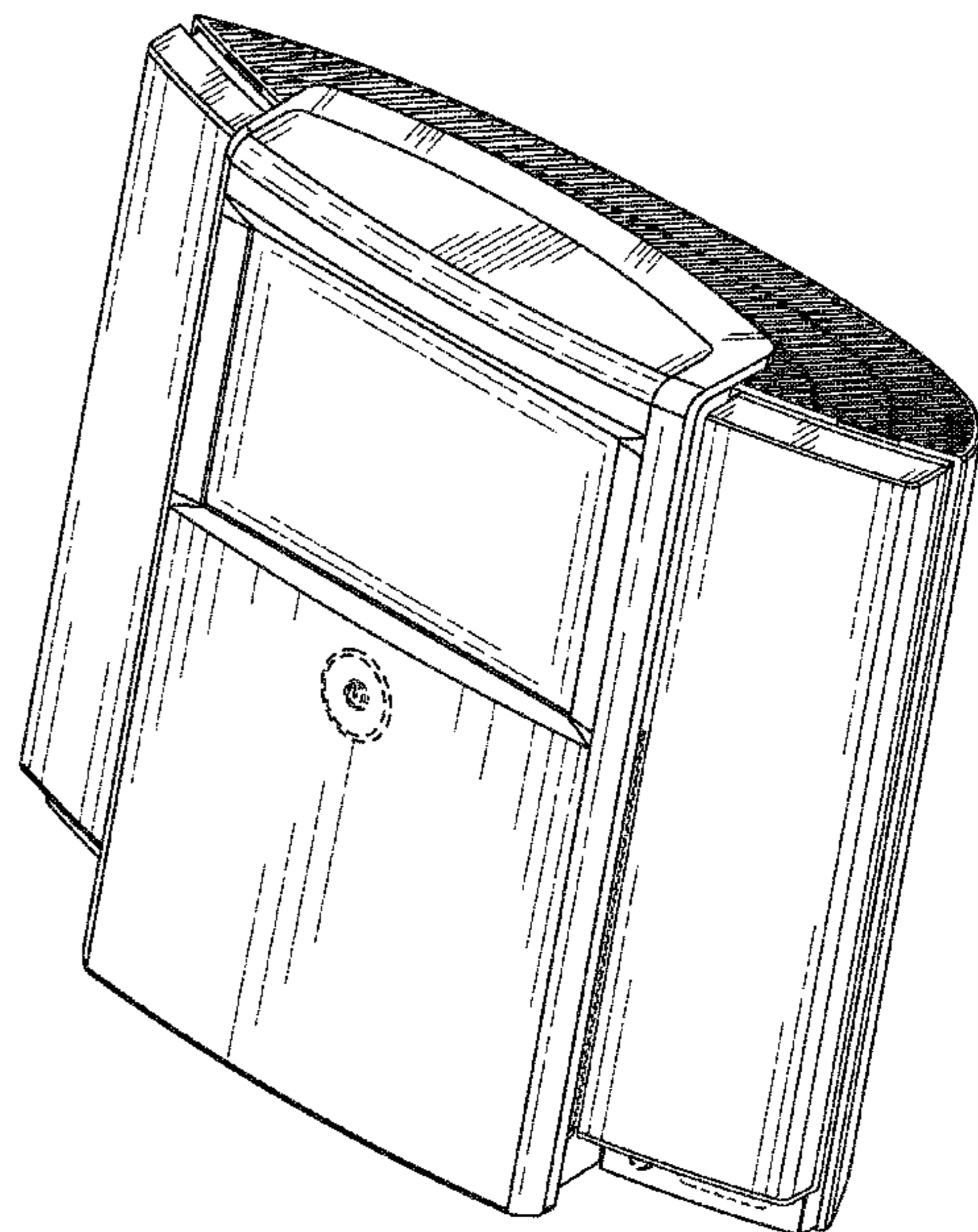
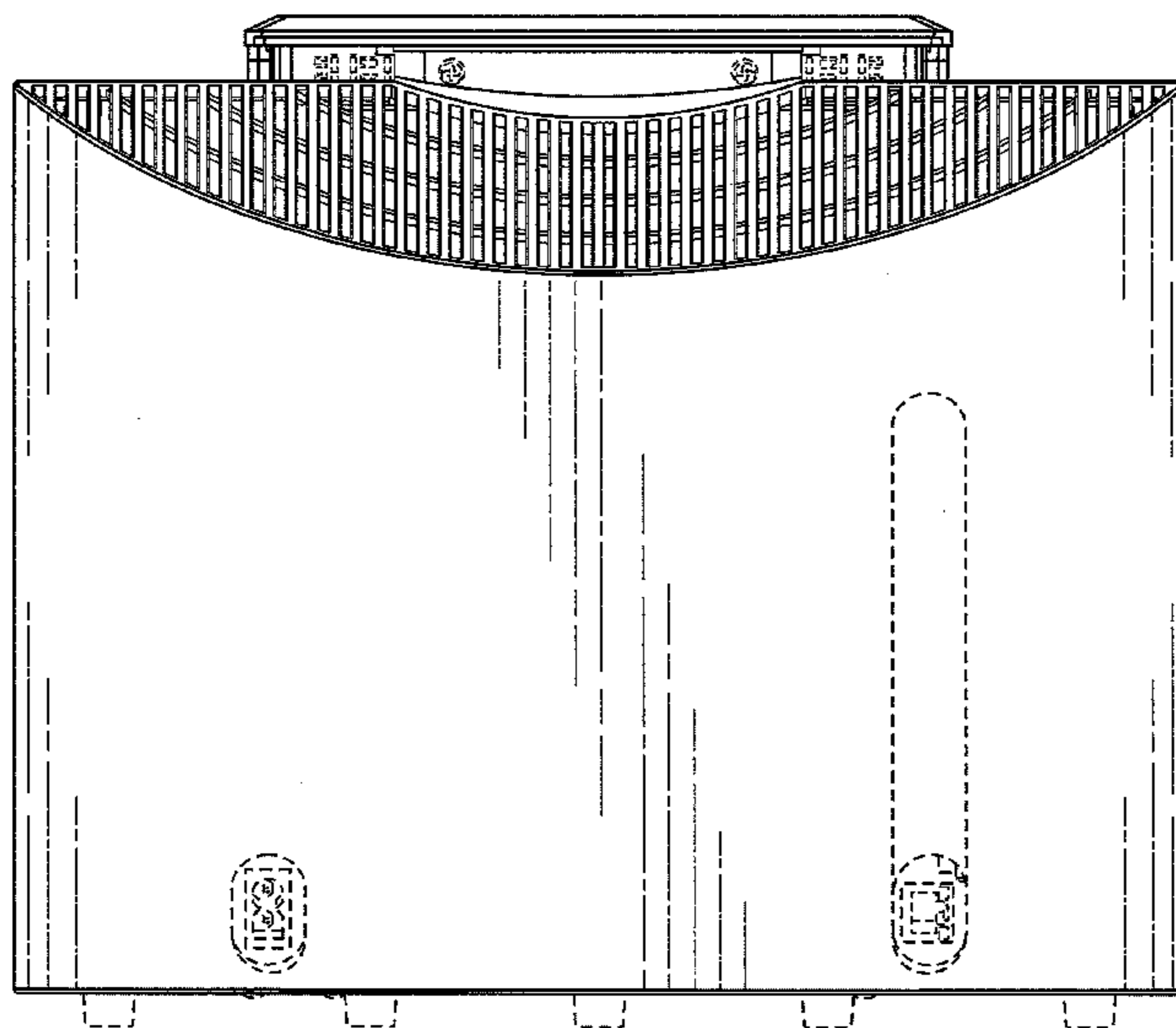
FIG. 5 is a top view thereof;

FIG. 6 is a bottom view thereof; and,

FIG. 7 is a perspective view thereof.

The areas in broken lines are for illustrative purposes only and form no part of the claimed design.

1 Claim, 7 Drawing Sheets



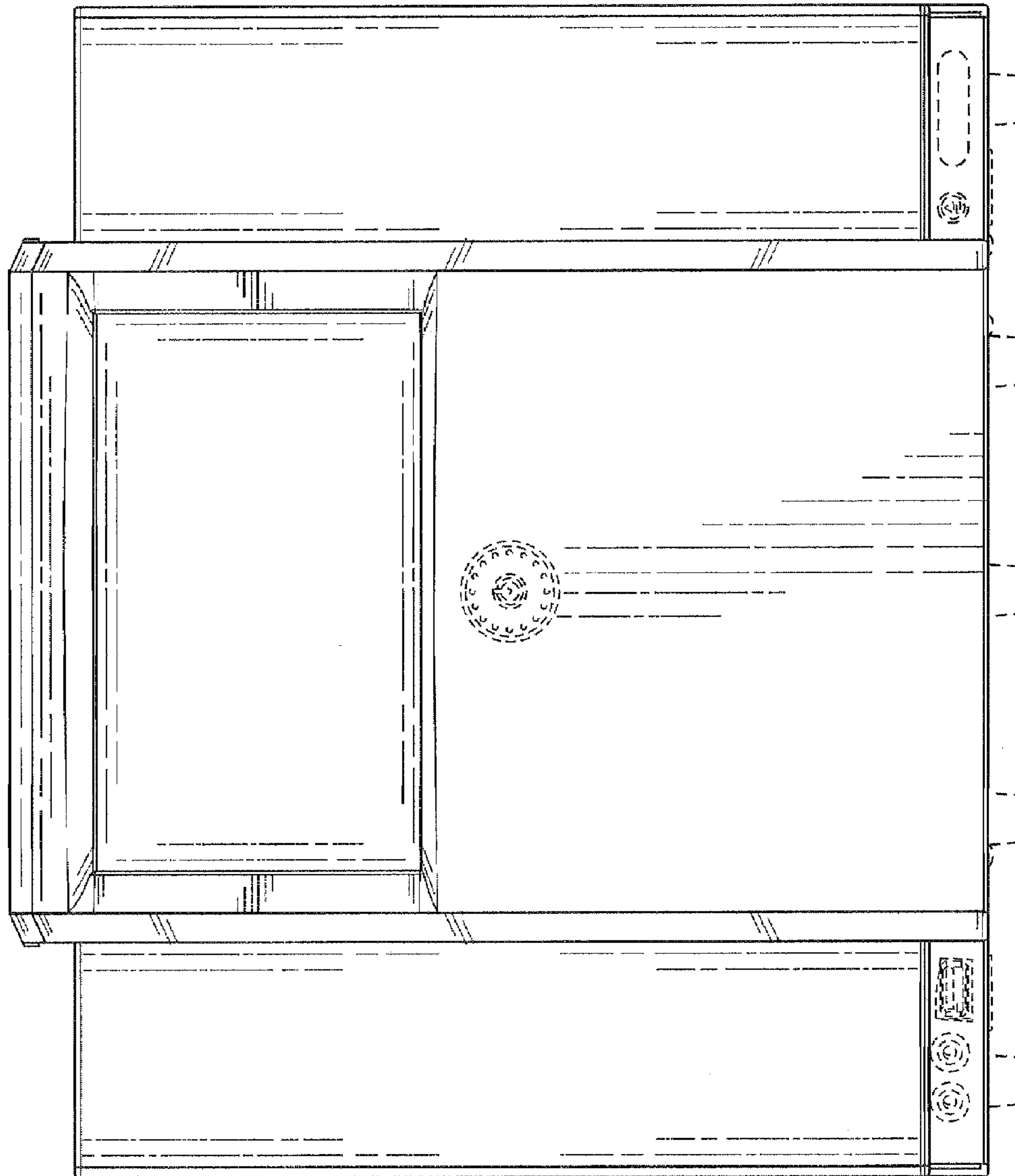


FIG. 1

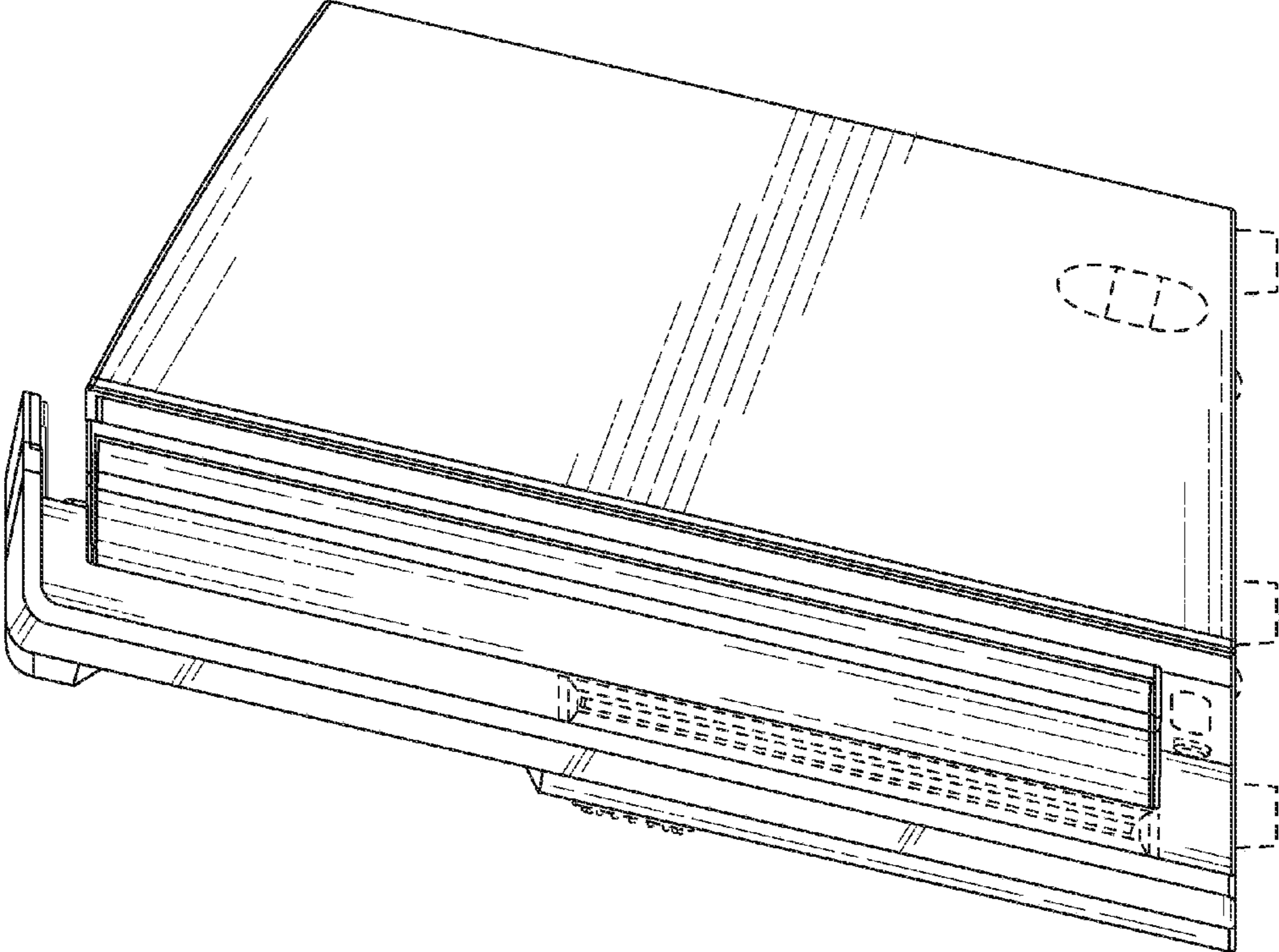


FIG. 2

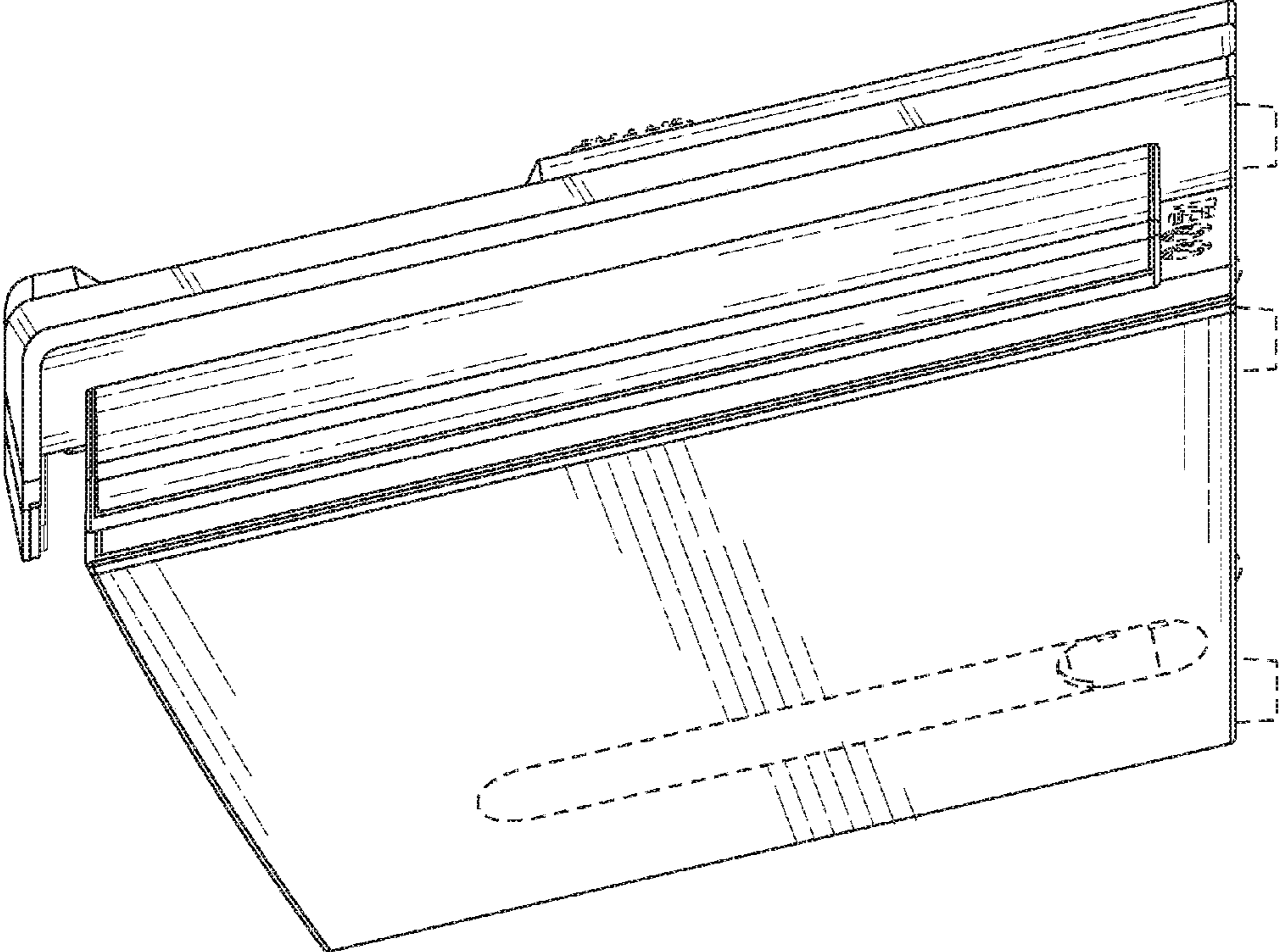


FIG. 3

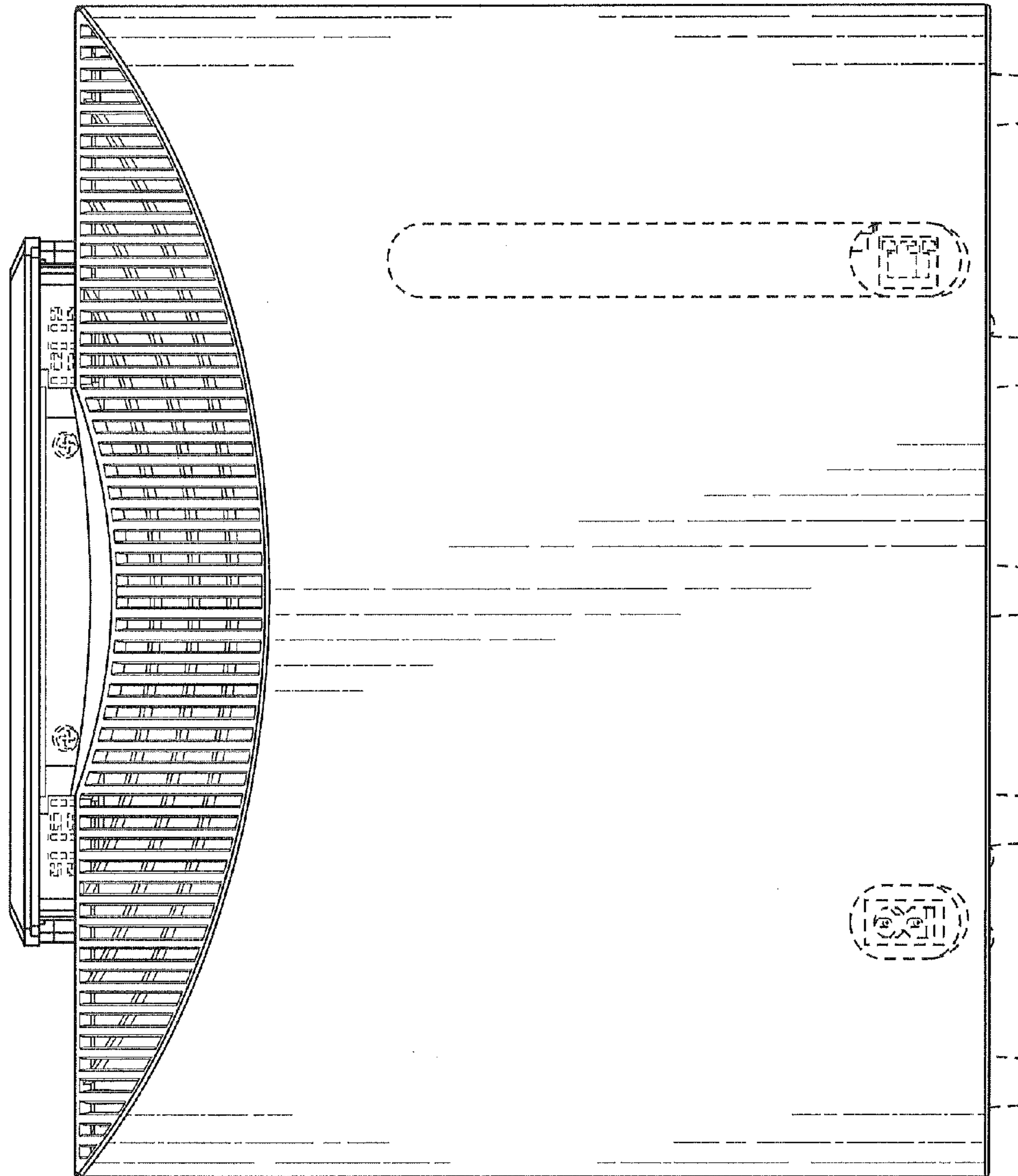


FIG. 4

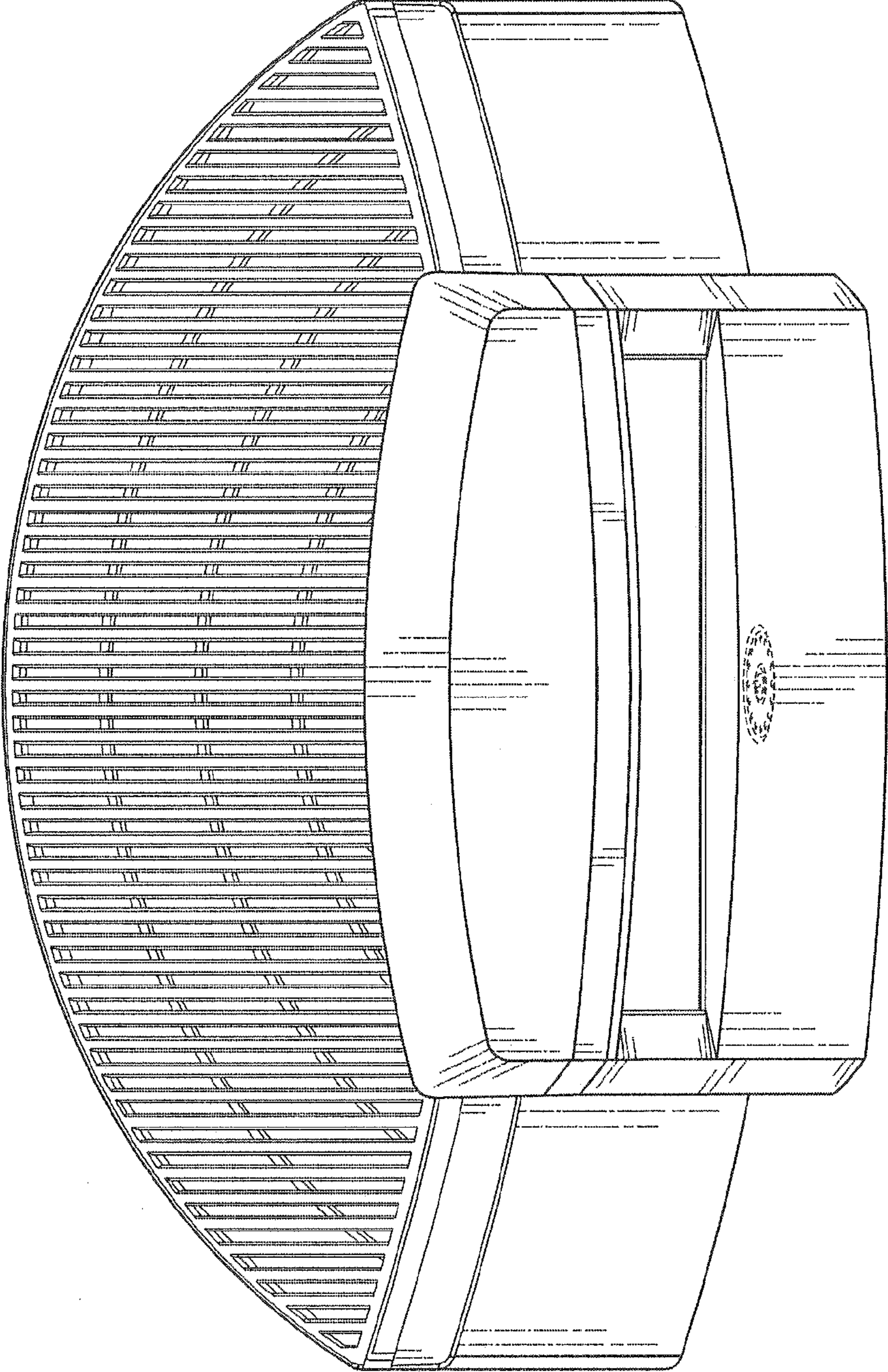


FIG. 5

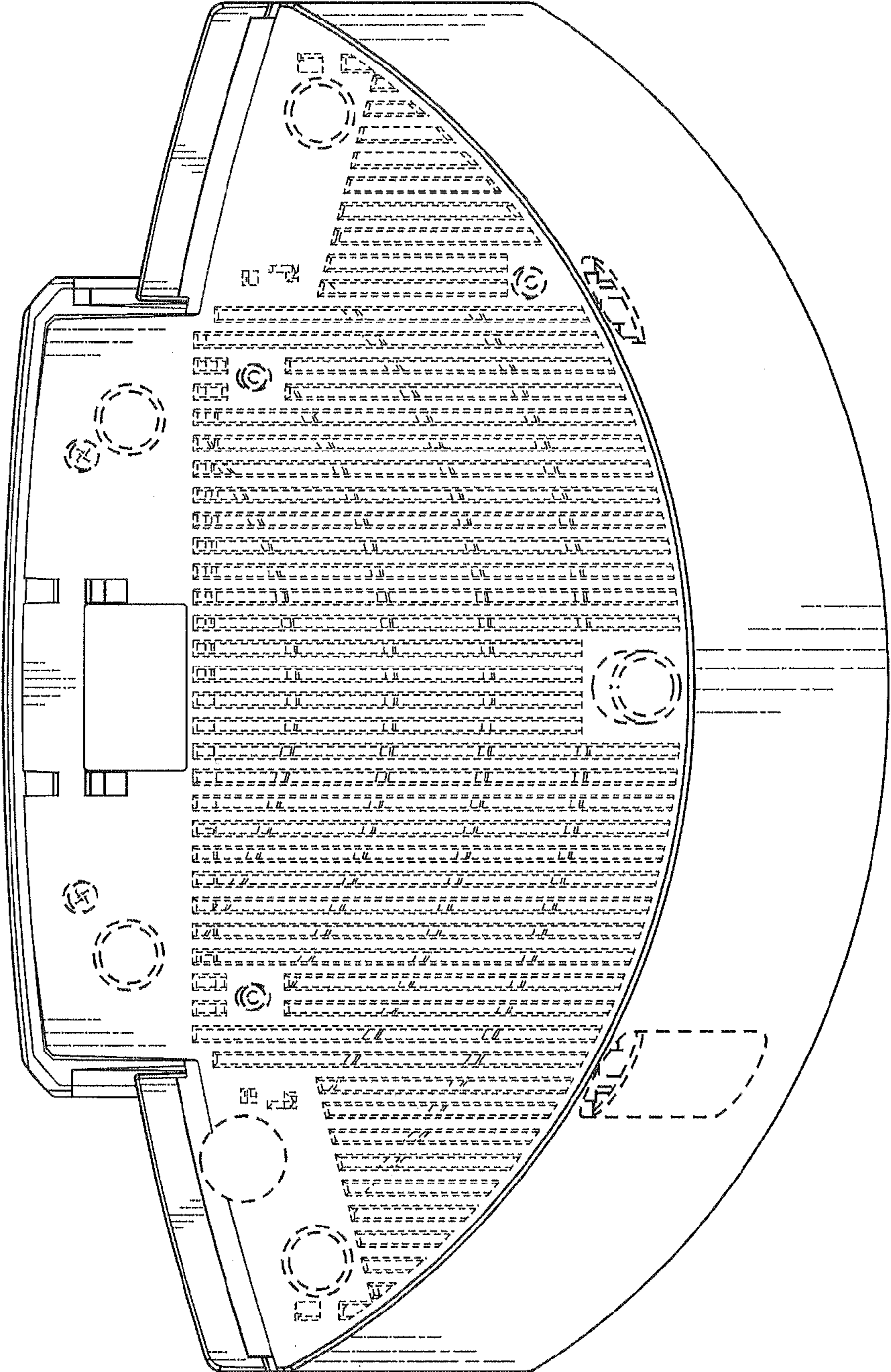


FIG. 6

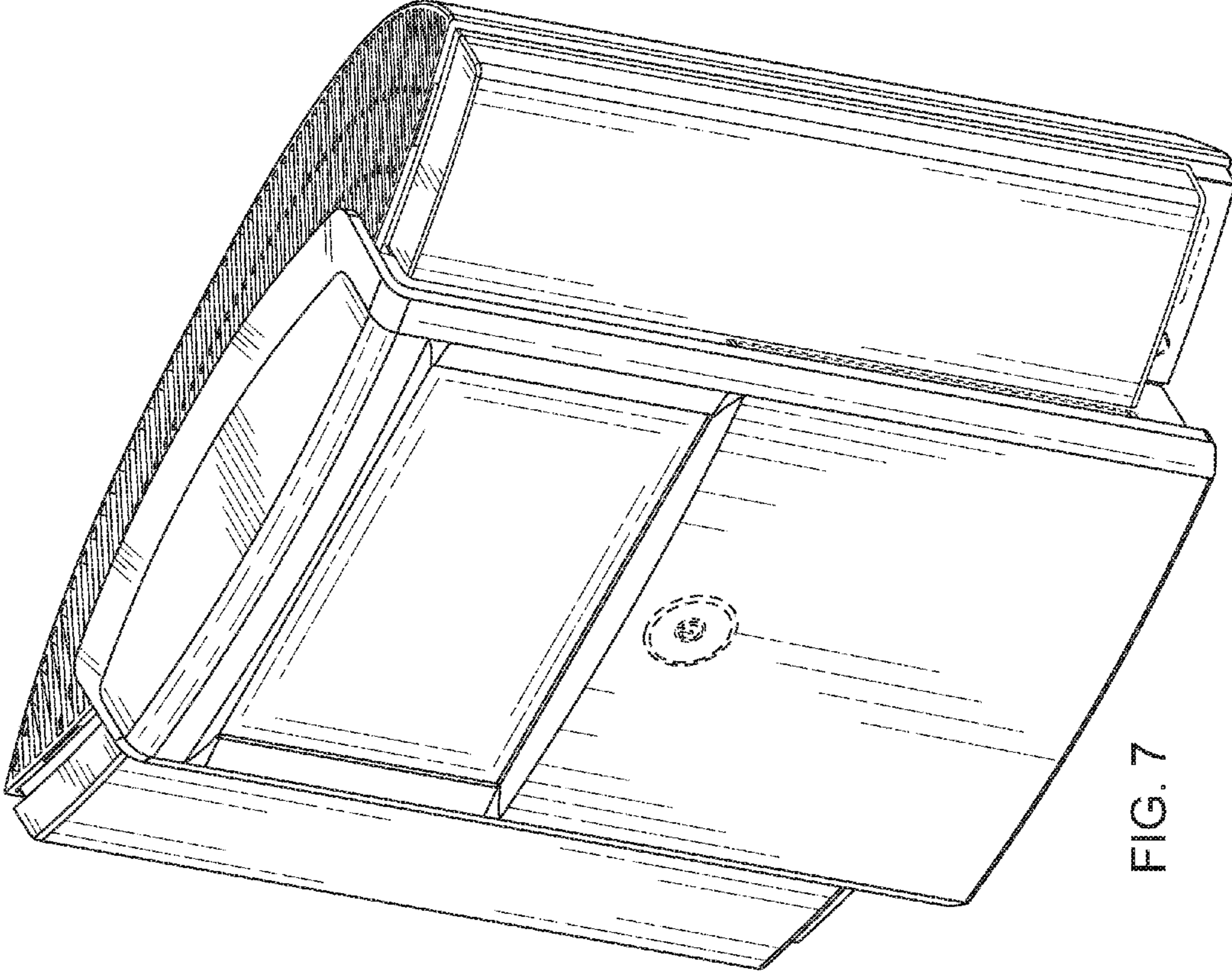


FIG. 7