



US00D611925S

(12) **United States Design Patent**  
**Miyazaki**

(10) **Patent No.:** **US D611,925 S**

(45) **Date of Patent:** **\*\* Mar. 16, 2010**

(54) **PORTABLE RECORDER**

(75) Inventor: **Tetsuro Miyazaki**, Tokyo (JP)

(73) Assignee: **Sony Corporation**, Tokyo (JP)

(\*\*) Term: **14 Years**

(21) Appl. No.: **29/311,787**

(22) Filed: **Jun. 19, 2009**

(30) **Foreign Application Priority Data**

Dec. 22, 2008 (JP) ..... D2008-032452  
Jan. 20, 2009 (JP) ..... D2009-000942

(51) **LOC (9) Cl.** ..... **14-01**

(52) **U.S. Cl.** ..... **D14/167**

(58) **Field of Classification Search** ..... D14/167,  
D14/154, 168, 188, 496, 156, 160, 161, 162,  
D14/163, 164, 165, 158, 341, 346, 342, 345;  
D16/208; D26/38; 455/351, 350; D19/60,  
D19/62; D21/330

See application file for complete search history.

(56) **References Cited**

**U.S. PATENT DOCUMENTS**

3,718,862 A \* 2/1973 Norris ..... 455/95  
D430,864 S \* 9/2000 Chung ..... D14/228  
D433,669 S \* 11/2000 Nakamura et al. .... D14/503  
D481,702 S 11/2003 Takagi  
D542,262 S 5/2007 Oka  
D554,628 S \* 11/2007 Aoki ..... D14/226  
D567,798 S 4/2008 Oka

D571,778 S \* 6/2008 Aoki ..... D14/167  
D578,994 S 10/2008 Oka  
D581,898 S \* 12/2008 Oka ..... D14/167  
D596,155 S \* 7/2009 Sakai ..... D14/167  
D598,933 S \* 8/2009 Sawai et al. .... D14/496  
D601,120 S \* 9/2009 Aoki ..... D14/167  
D601,584 S \* 10/2009 Sawai et al. .... D14/496  
D604,328 S \* 11/2009 Sawai et al. .... D14/496

\* cited by examiner

*Primary Examiner*—Cathron C Brooks

*Assistant Examiner*—Austin Murphy

(74) *Attorney, Agent, or Firm*—Rader, Fishman & Grauer, PLLC

(57) **CLAIM**

The ornamental design for a portable recorder, as shown and described.

**DESCRIPTION**

FIG. 1 is a perspective view of a portable recorder showing my new design;

FIG. 2 is a front elevational view thereof;

FIG. 3 is a rear elevational view thereof;

FIG. 4 is a left side elevational view thereof;

FIG. 5 is a right side elevational view thereof;

FIG. 6 is a top plan view thereof; and,

FIG. 7 is a bottom plan view thereof.

Portions that are shown as broken lines are for illustrative purpose only and form no part of the claimed design.

**1 Claim, 7 Drawing Sheets**

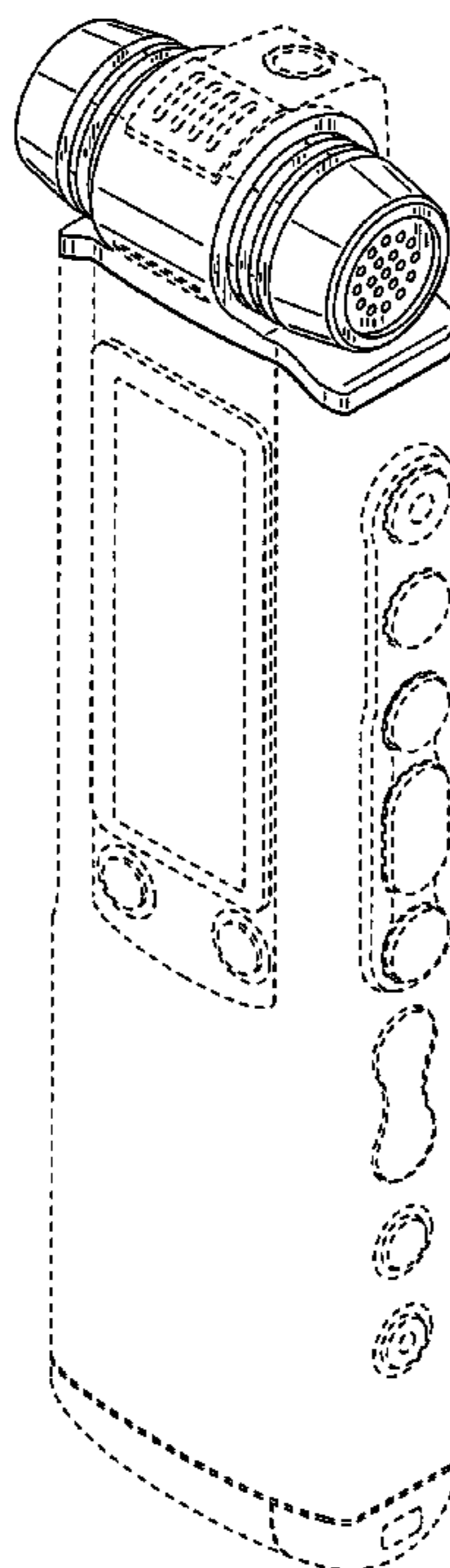


FIG.1

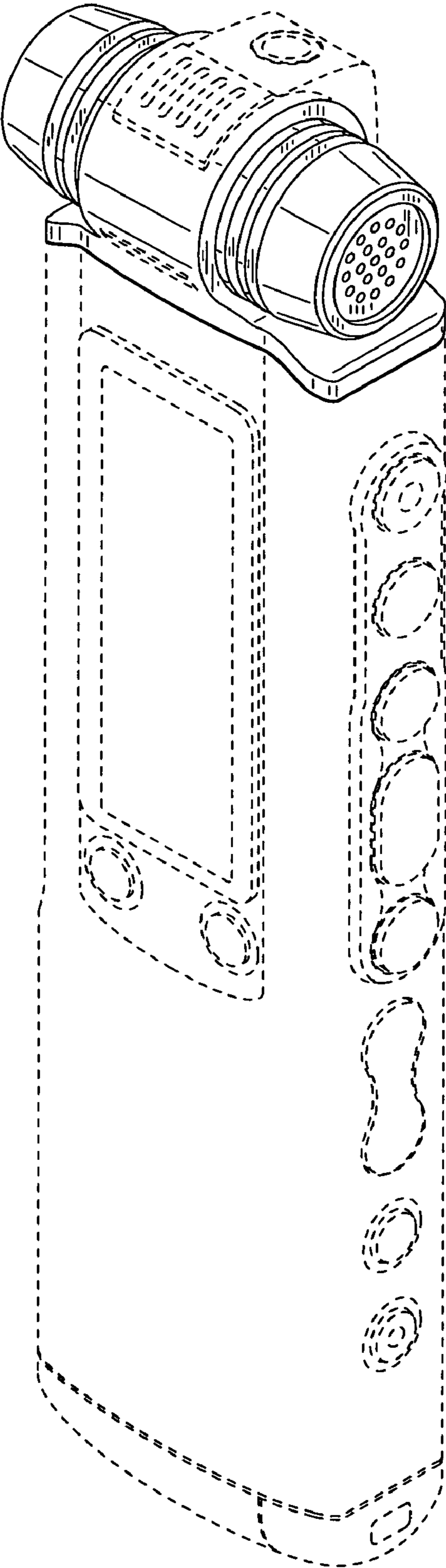


FIG.2

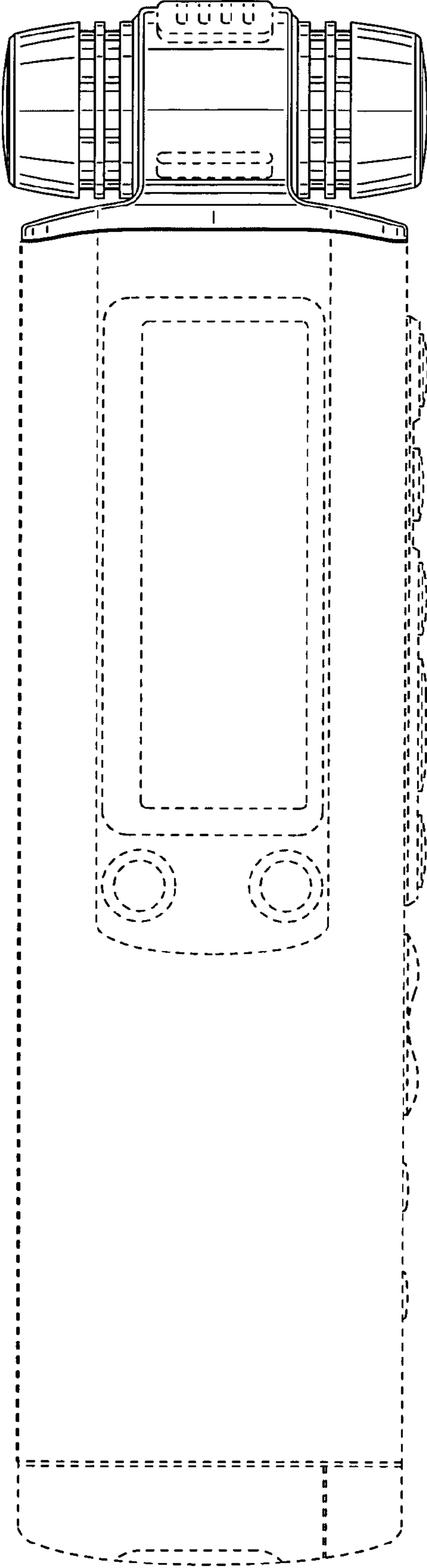


FIG.3

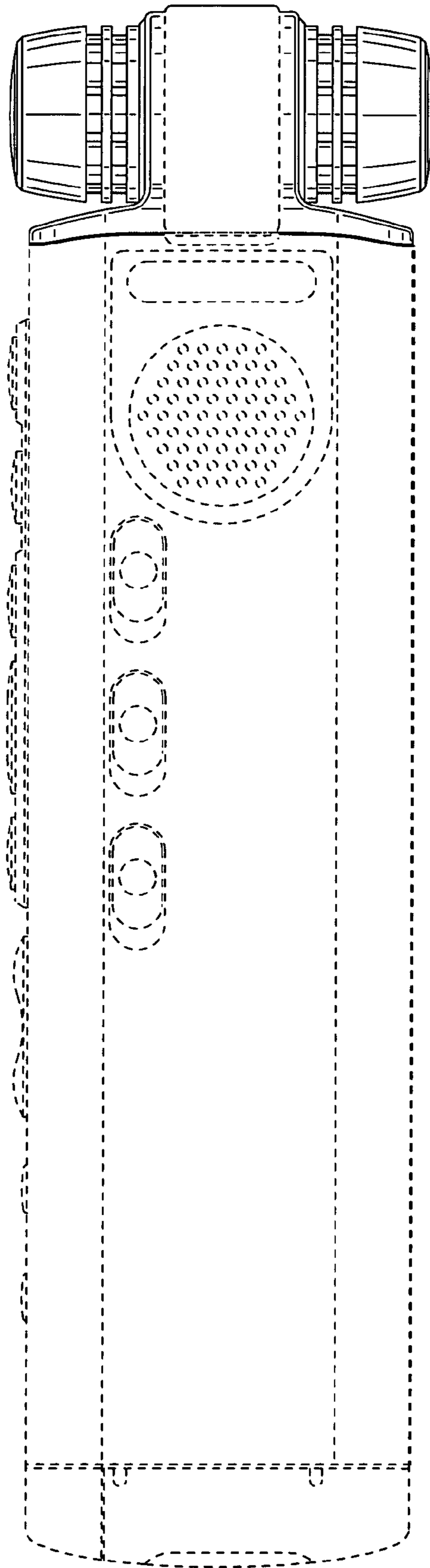


FIG.4

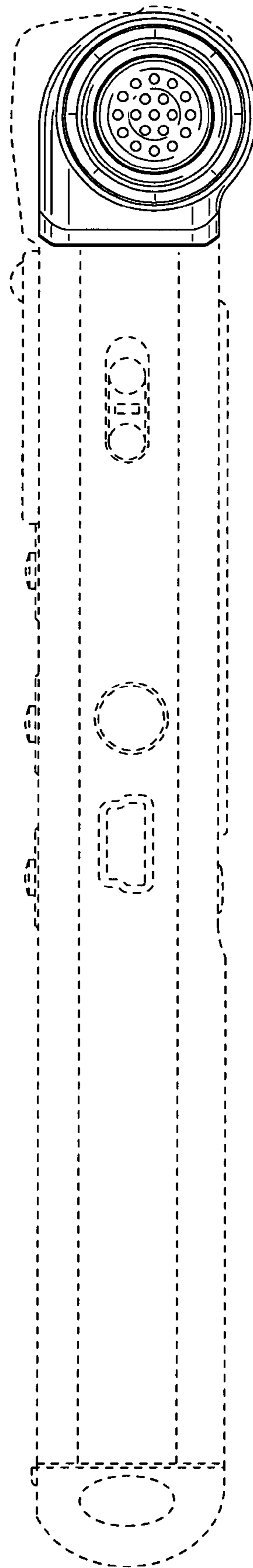


FIG.5

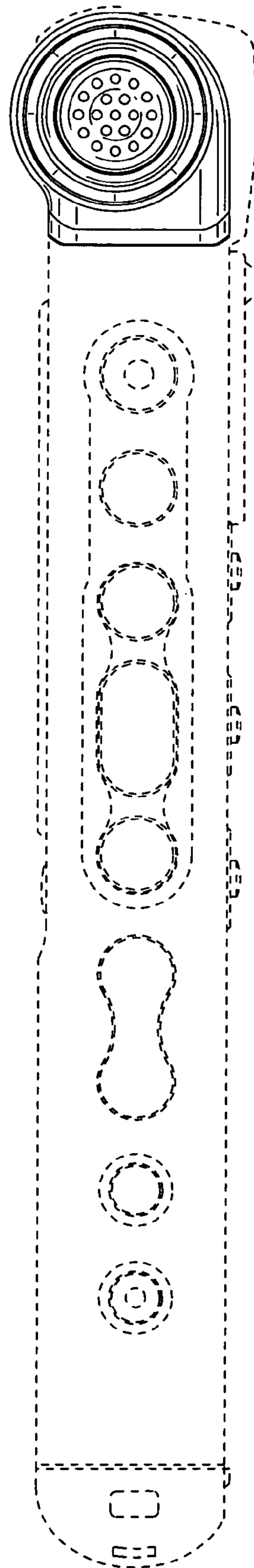


FIG. 6

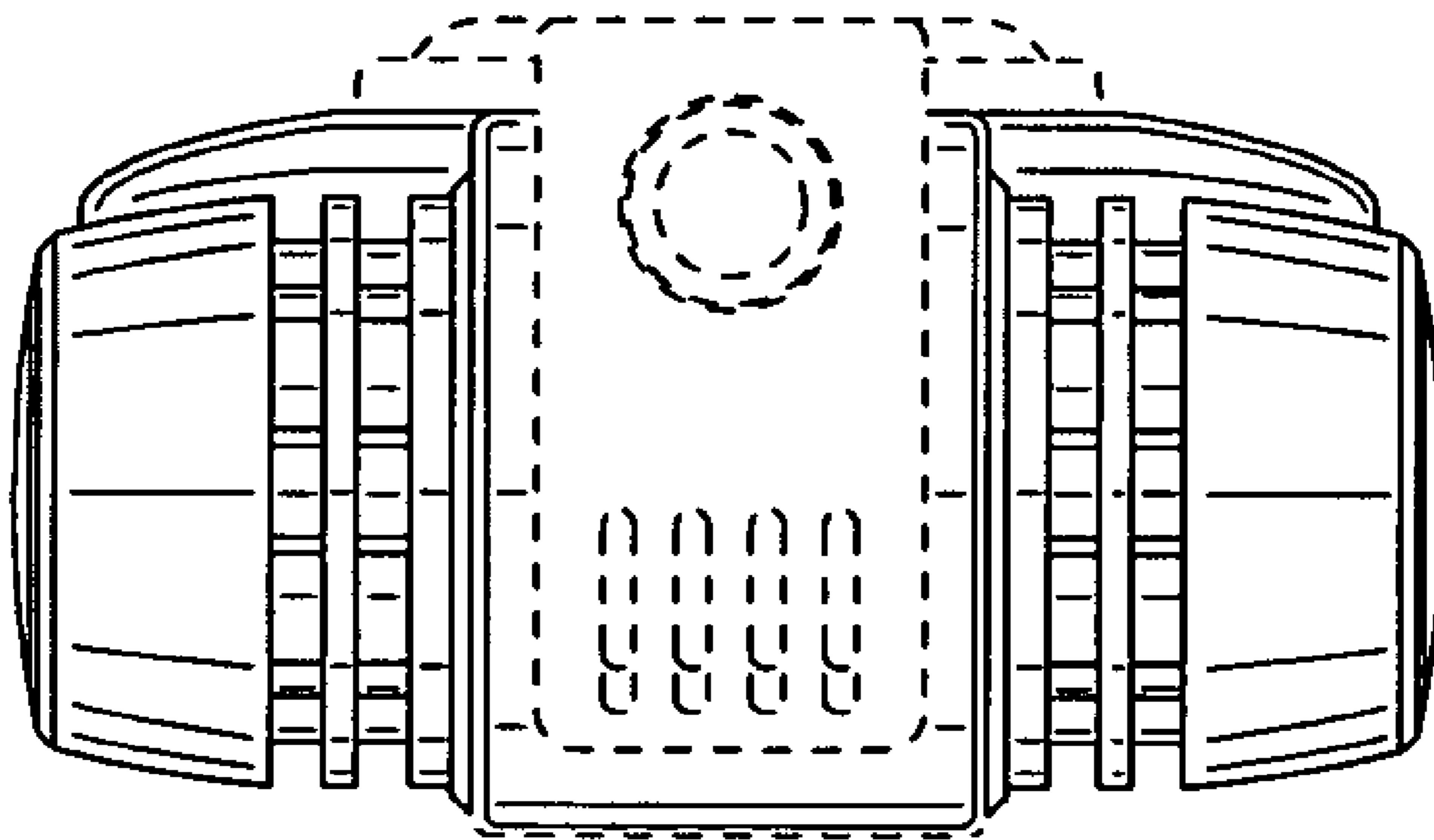




FIG. 7

