



US00D611921S

(12) **United States Design Patent**
Bang et al.

(10) **Patent No.:** **US D611,921 S**
(45) **Date of Patent:** **** *Mar. 16, 2010**

(54) **MOBILE PHONE**

(75) Inventors: **Yong-Seok Bang**, Seoul (KR);
Chang-Hwan Hwang, Goyang-si (KR);
Seog-Guen Kim, Seoul (KR)

(73) Assignee: **Samsung Electronics Co., Ltd.**,
Suwon-Si (KR)

(*) Notice: This patent is subject to a terminal disclaimer.

(**) Term: **14 Years**

(21) Appl. No.: **29/324,830**

(22) Filed: **Sep. 22, 2008**

(30) **Foreign Application Priority Data**

May 23, 2008 (KR) 30-2008-0021803

(51) **LOC (9) Cl.** **14-03**

(52) **U.S. Cl.** **D14/138 G**

(58) **Field of Classification Search** D14/138 R,
D14/138 AD, 138 AC, 138 C, 138 G, 191,
D14/203.1–203.8, 496, 138 AA, 138 AB,
D14/137, 147, 218, 341–347, 247–248; D10/65,
D10/78, 104; D13/168; D18/7; 455/566,
455/575.1, 575.3

See application file for complete search history.

(56) **References Cited**

U.S. PATENT DOCUMENTS

D474,792 S * 5/2003 Hyun D16/202
D495,695 S * 9/2004 Yugaya D14/346
D542,771 S * 5/2007 Cho et al. D14/138 AB
D551,645 S * 9/2007 Kim et al. D14/138 AB
D552,580 S * 10/2007 Mun D14/138 AD
D563,933 S * 3/2008 Lee et al. D14/138 AB
D568,286 S * 5/2008 Suk et al. D14/138 G

D569,365 S * 5/2008 Shin et al. D14/138 AC
D572,227 S * 7/2008 Yoon et al. D14/138 G
D578,985 S * 10/2008 Kim et al. D14/138 AD
D579,437 S * 10/2008 Yoon D14/138 G
D579,902 S * 11/2008 Kim et al. D14/138 AD
D581,894 S * 12/2008 Kim D14/138 G
D582,377 S * 12/2008 Kim et al. D14/138 AD

(Continued)

OTHER PUBLICATIONS

BlackBerry Storm 9530, announced Sep. 2008, [online], [retrieved on Jan. 9, 2009]. Retrieved from Internet ,<URL: <http://www.gsmarena.com>>.*

(Continued)

Primary Examiner—Jeffrey D Asch
Assistant Examiner—Bridget L Eland
(74) *Attorney, Agent, or Firm*—Staas & Halsey LLP

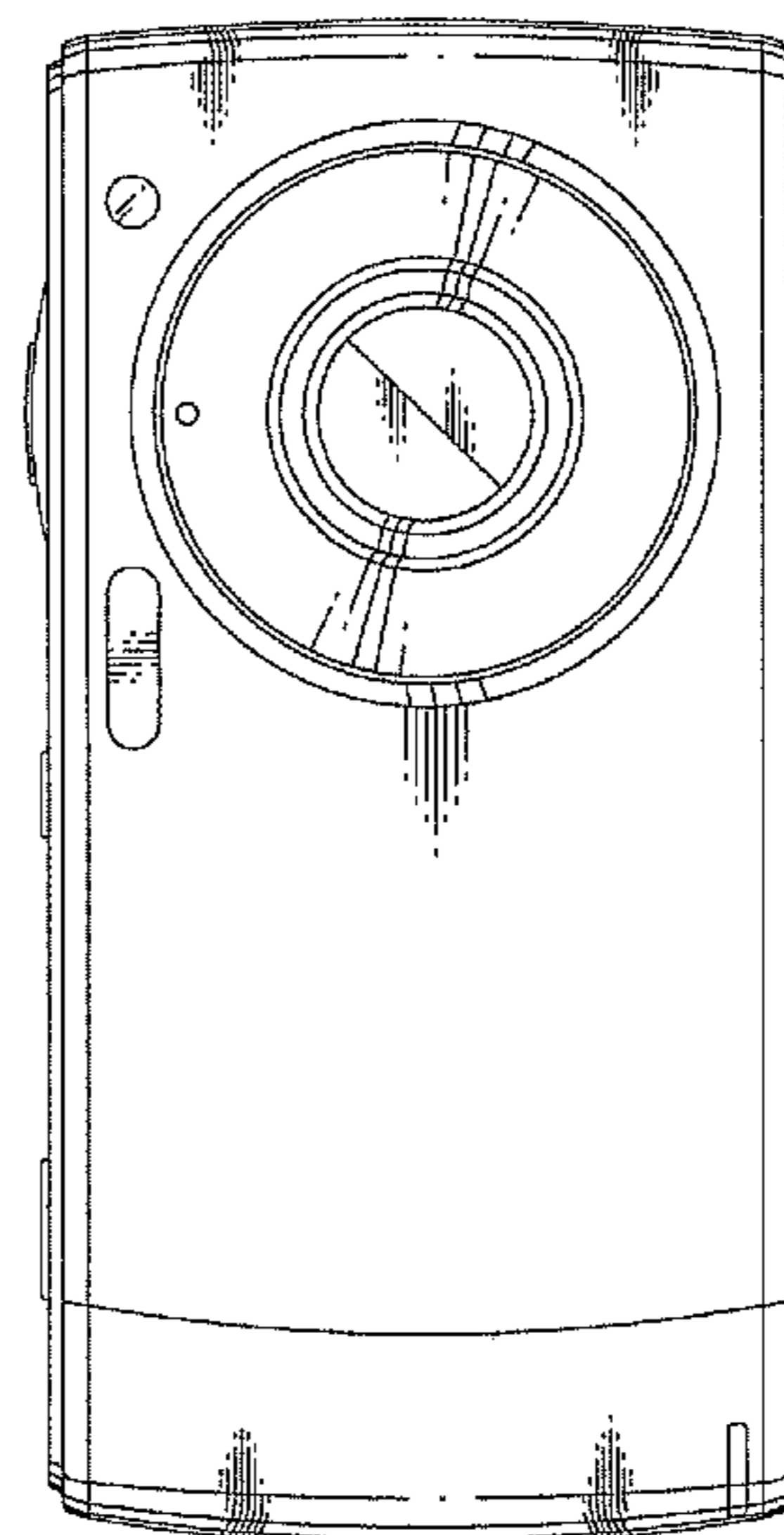
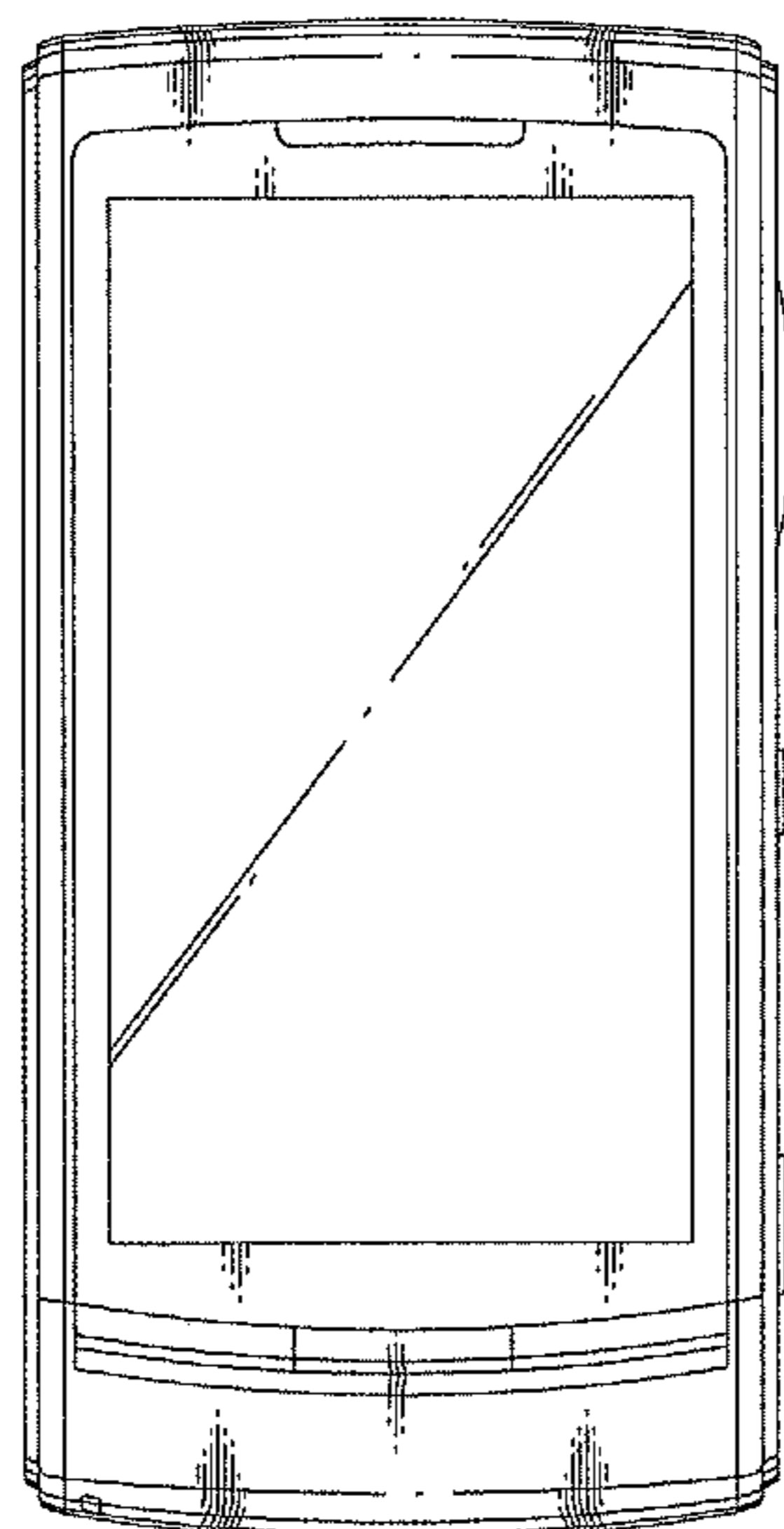
(57) **CLAIM**

The ornamental design for a mobile phone, as shown and described.

DESCRIPTION

FIG. 1 is a front perspective view of a mobile phone;
FIG. 2 is a front view of the mobile phone of FIG. 1;
FIG. 3 is a rear view of the mobile phone of FIG. 1;
FIG. 4 is a left-side view of the mobile phone of FIG. 1;
FIG. 5 is a right-side view of the mobile phone of FIG. 1;
FIG. 6 is a top plan view of the mobile phone of FIG. 1; and,
FIG. 7 is a bottom plan view of the mobile phone of FIG. 1.

1 Claim, 4 Drawing Sheets



US D611,921 S

Page 2

U.S. PATENT DOCUMENTS

D584,273 S * 1/2009 Hong et al. D14/138 G
D585,040 S * 1/2009 Kim et al. D14/138 G
D585,044 S * 1/2009 Seo et al. D14/138 AD
D589,924 S * 4/2009 Jung et al. D14/138 AD
D590,793 S * 4/2009 Kim et al. D14/138 AD
D590,802 S * 4/2009 Shin et al. D14/138 AD
2006/0166713 A1 * 7/2006 Yeh et al. 455/575.1
2007/0218963 A1 * 9/2007 Kim 455/575.4
2008/0019083 A1 * 1/2008 Lim et al. 361/679
2008/0096616 A1 * 4/2008 Choi 455/575.1
2008/0125182 A1 * 5/2008 Park et al. 455/566
2009/0061947 A1 * 3/2009 Park et al. 455/566

OTHER PUBLICATIONS

BlackBerry Storm 9500, announced Sep. 2008, [online], [retrieved on Sep. 9, 2009]. Retrieved from Internet ,<URL: <http://www.gsmarena.com>>.*

LG CU915 Vu, announced Mar. 2008, [online], [retrieved on May 14, 2008]. Retrieved from Internet ,<URL: <http://www.gsmarena.com>>.*

LG GC900 Viewty Smart, announced Apr. 2009, [online], [retrieved on Apr. 16, 2009]. Retrieved from Internet ,<URL: <http://www.gsmarena.com>>.*

Samsung M8800 Pixon, announced Sep. 2008, [online], [retrieved on Oct. 3, 2008]. Retrieved from Internet ,<URL: <http://www.gsmarena.com>>.*

Samsung T929 Memoir, announced Feb. 2009, [online], [retrieved on Feb. 6, 2009]. Retrieved from Internet ,<URL: <http://www.gsmarena.com>>.*

Samsung i8910 Omnia HD, announced Feb. 2009, [online], [retrieved on Feb. 20, 2009]. Retrieved from Internet ,<URL: <http://www.gsmarena.com>>.*

* cited by examiner

FIG. 1

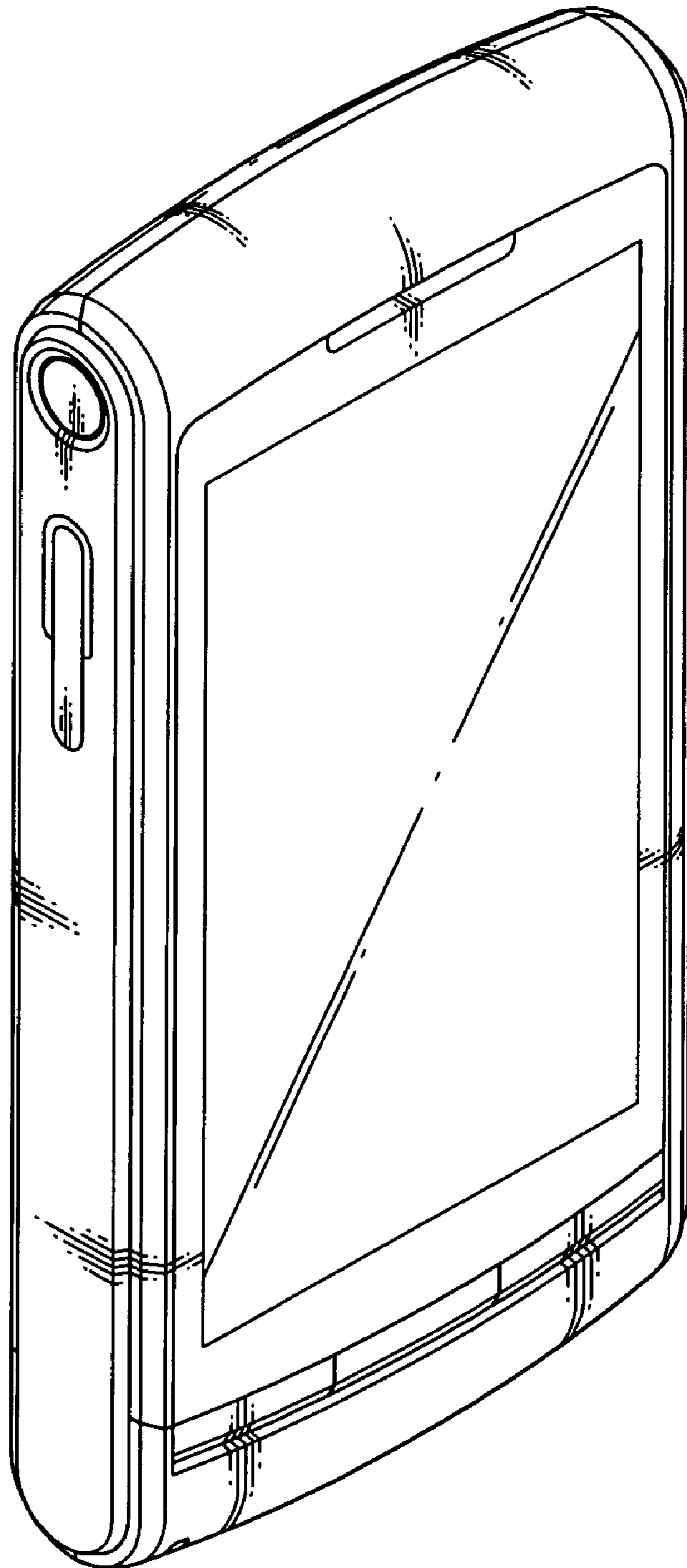


FIG. 2

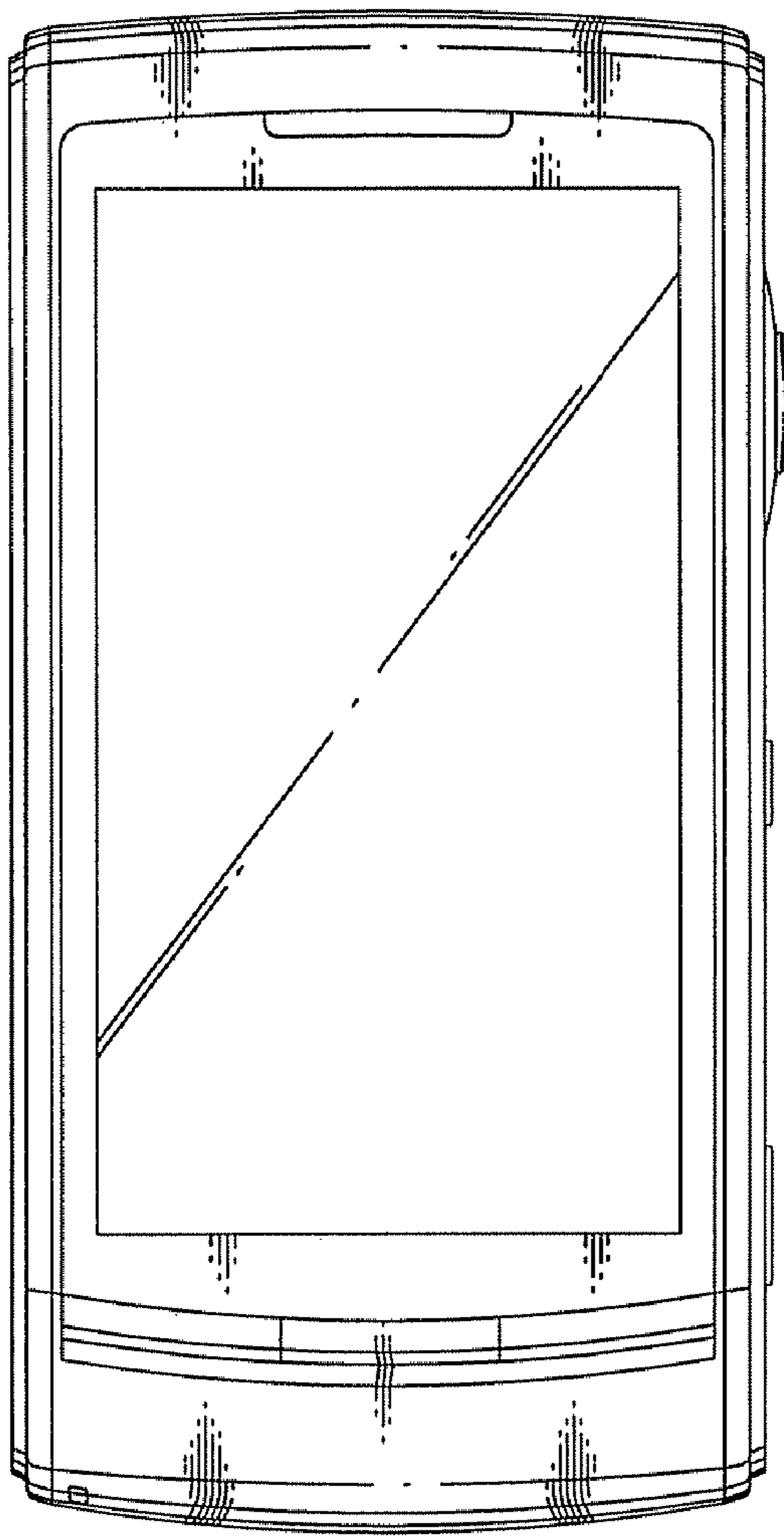


FIG. 3

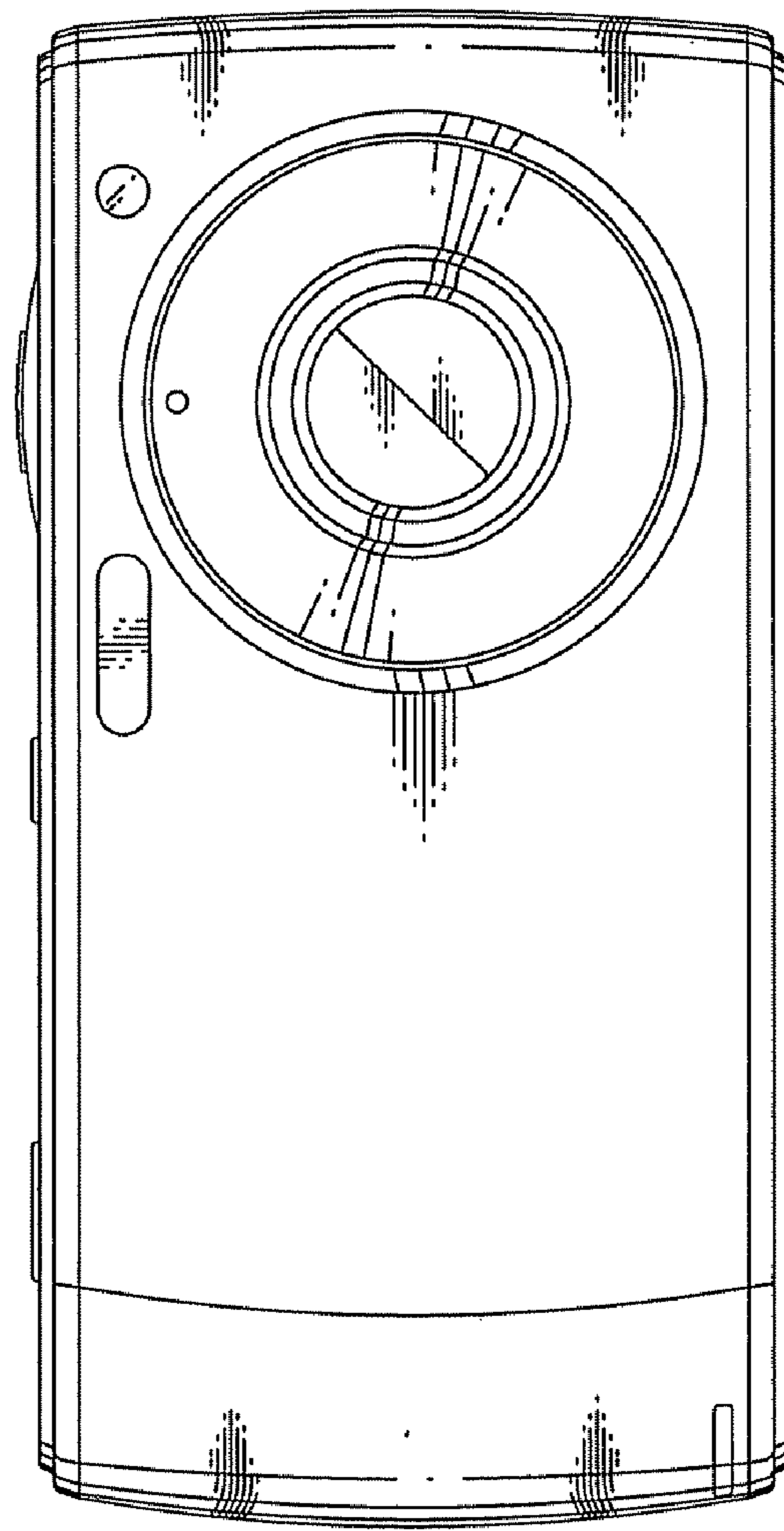


FIG. 4

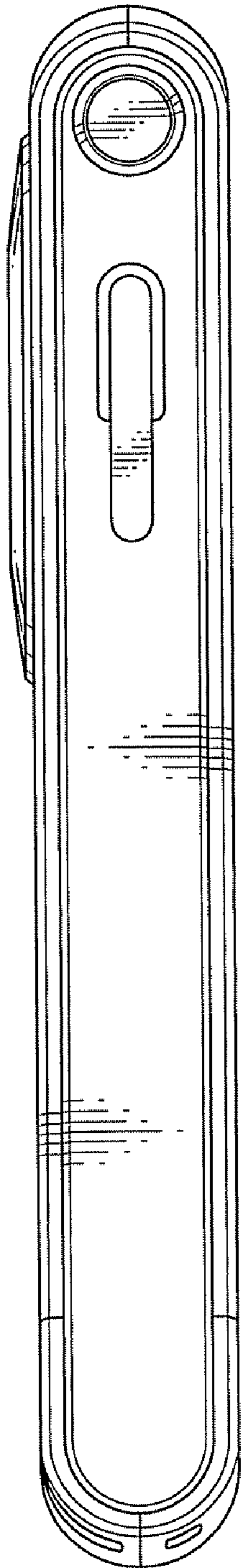


FIG. 5

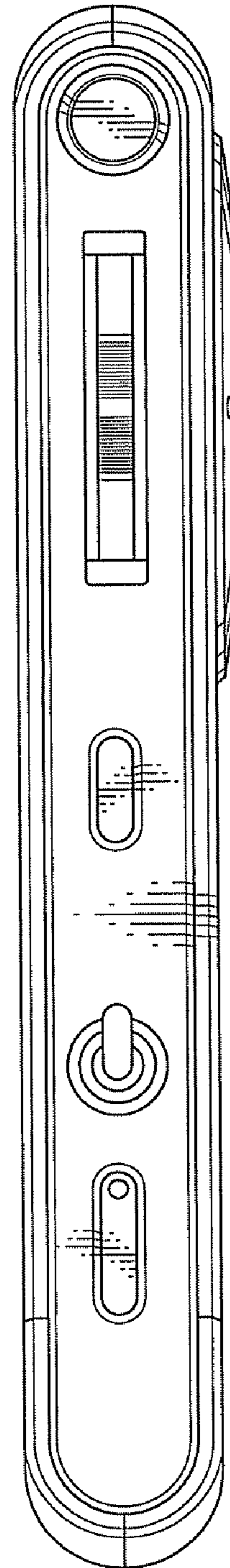


FIG. 6

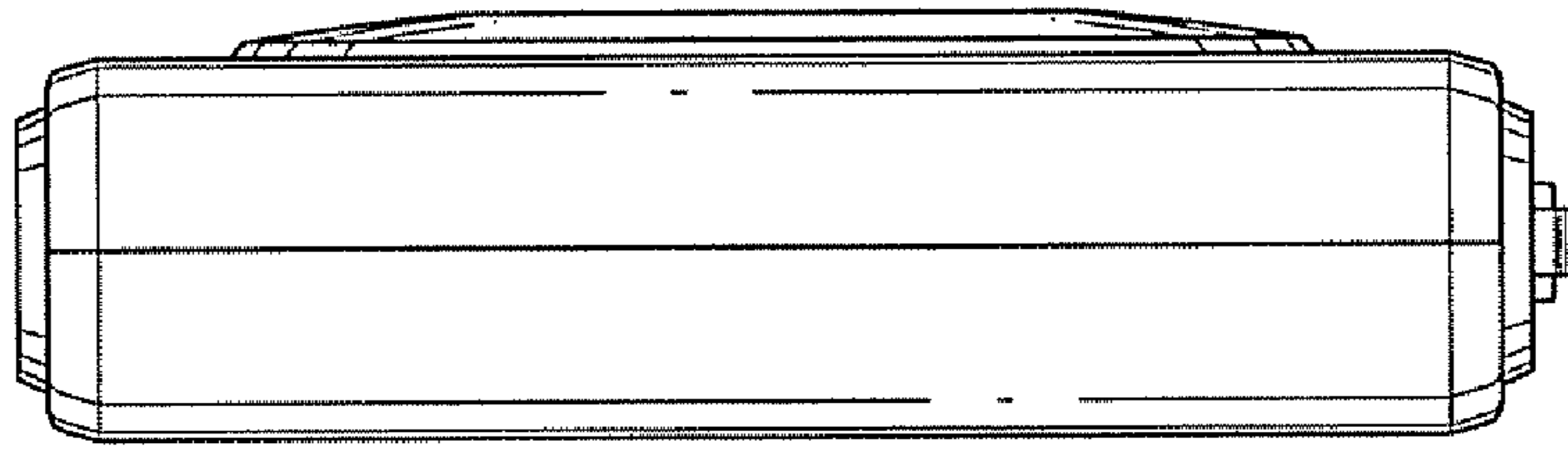


FIG. 7

