



US00D611917S

(12) **United States Design Patent**
Ohlert et al.

(10) **Patent No.:** **US D611,917 S**
(45) **Date of Patent:** **** *Mar. 16, 2010**

(54) **CONTROL ELEMENTS WITH SURFACE ORNAMENTATION**

(75) Inventors: **Eberhard Ohlert**, Erlangen (DE); **Axel Platz**, München (DE); **Alexandra Winkel**, Berlin (DE)

(73) Assignee: **Siemens Aktiengesellschaft**, Munich (DE)

(*) Notice: This patent is subject to a terminal disclaimer.

(**) Term: **14 Years**

(21) Appl. No.: **29/337,252**

(22) Filed: **May 18, 2009**

Related U.S. Application Data

(63) Continuation of application No. 29/299,793, filed on Jan. 4, 2008, now abandoned.

Foreign Application Priority Data

Jul. 4, 2007 (EM) 759 030

(51) **LOC (9) Cl.** **13-03**

(52) **U.S. Cl.** **D13/174**

(58) **Field of Classification Search** D13/162, D13/164, 168, 171, 174; 174/66; 200/5 R, 200/5 A, 1 B, 293, 296, 329, 406, 513, 520, 200/530, 302.1, 302.2, 314, 315, 341, 344; 315/201-296; 338/198-200; D10/45, 50, D10/106, 108; D14/218, 247, 399, 456; D18/41; D21/385

See application file for complete search history.

References Cited

U.S. PATENT DOCUMENTS

D76,365 S * 9/1928 Bloem D10/108
D276,247 S * 11/1984 Kim D14/399
D305,018 S * 12/1989 Pena et al. D13/164
D305,019 S * 12/1989 Pena et al. D13/171

D313,398 S * 1/1991 Gilchrist D13/168
D313,761 S * 1/1991 Bressler D10/60
D315,527 S * 3/1991 Kulikowski et al. D10/108
D317,137 S * 5/1991 Kulikowski et al. D10/108
D349,677 S * 8/1994 Avitan D12/192
D364,350 S * 11/1995 Pasquarette et al. D10/50
D373,998 S * 9/1996 Tutt et al. D13/168
D415,707 S * 10/1999 Gallagher et al. D10/108
D436,083 S * 1/2001 Kishita et al. D13/168
D451,482 S * 12/2001 Vanderheiden et al. D13/162
D494,489 S * 8/2004 Tulloch D10/106
D509,534 S * 9/2005 Suzuki D18/50
D543,247 S * 5/2007 Luciano et al. D21/385
D550,297 S * 9/2007 Luciano et al. D21/385
D550,302 S * 9/2007 Luciano et al. D21/385

(Continued)

Primary Examiner—Selina Sikder

(74) *Attorney, Agent, or Firm*—Laurence A. Greenberg; Werner H. Stemer; Ralph E. Locher

(57) **CLAIM**

The ornamental design for the control elements with surface ornamentation, as shown and described.

DESCRIPTION

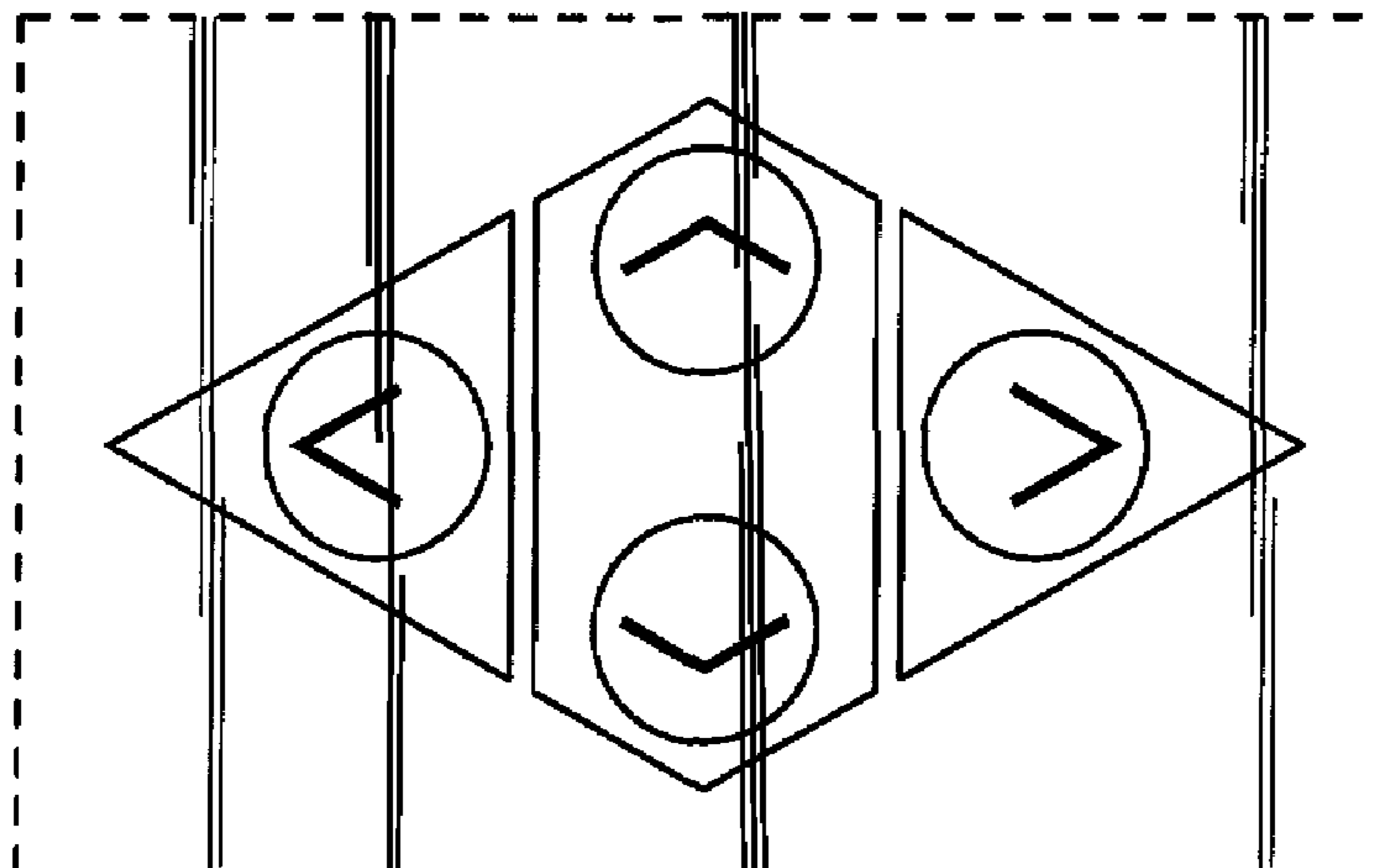
The sole FIGURE of the drawing is a plan view of the control elements with surface ornamentation showing our new design.

The sides and the back of the design do not form a part of the claimed design.

The outline of the key panel according to the invention is shown in broken lines, indicating that the device may take any form, footprint shape, or size, and does not form a part of the claimed design.

The broken lines define the bounds of the claimed design.

1 Claim, 1 Drawing Sheet



US D611,917 S

Page 2

U.S. PATENT DOCUMENTS

D550,304 S *	9/2007	Luciano et al.	D21/385	D583,778 S *	12/2008	Ohlert et al.	D13/174
D551,215 S *	9/2007	Lee et al.	D14/218	D584,244 S *	1/2009	Ohlert et al.	D13/174
D553,097 S *	10/2007	Lemke et al.	D13/162	D584,245 S *	1/2009	Ohlert et al.	D13/174
D568,827 S *	5/2008	Ikeda et al.	D13/168	D587,215 S *	2/2009	Ohlert et al.	D13/174
7,381,913 B2 *	6/2008	Sjostrom	200/5 A	D591,693 S *	5/2009	Ohlert et al.	D13/174
D573,545 S *	7/2008	Ablabutyanyan et al.	D13/162	D596,588 S *	7/2009	Ohlert et al.	D13/174

* cited by examiner

