



US00D611916S

(12) **United States Design Patent**
Wu et al.

(10) **Patent No.:** **US D611,916 S**
(45) **Date of Patent:** **** Mar. 16, 2010**

(54) **SET OF BUTTONS ON MOTHERBOARD**

(75) Inventors: **Chao-Chung Wu**, Taipei (TW);
Meng-Jia Guo, Taipei (TW);
Chih-Shien Lin, Taipei (TW);
Chien-Chin Wang, Taipei (TW);
Yu-Chen Lee, Taipei (TW)

(73) Assignee: **Asustek Computer Inc.**, Taipei (TW)

(**) Term: **14 Years**

(21) Appl. No.: **29/325,367**

(22) Filed: **Sep. 30, 2008**

(30) **Foreign Application Priority Data**

May 5, 2008 (TW) 97302629

(51) **LOC (9) Cl.** **13-03**

(52) **U.S. Cl.** **D13/171**

(58) **Field of Classification Search** D13/171;
174/66; 200/5 R, 5 A, 1 B, 293, 296, 329,
200/406, 513, 520, 530, 302.1, 302.2, 314,
200/315, 341, 344; 315/291-296; 338/198-200
See application file for complete search history.

(56) **References Cited**

U.S. PATENT DOCUMENTS

1,747,896	A *	2/1930	Gates	439/682
4,127,838	A *	11/1978	Neveux	337/380
D266,084	S *	9/1982	Colavecchio	D13/158
4,454,397	A *	6/1984	Kim	200/296
5,077,454	A *	12/1991	Lorenzo	200/573
D362,841	S *	10/1995	Roza	D13/171
D377,337	S *	1/1997	Schaeffer	D13/171
6,103,982	A *	8/2000	Chien	200/315
D469,411	S *	1/2003	Decosse	D13/174

D496,336	S *	9/2004	Wang	D13/171
6,965,085	B1 *	11/2005	Orrico et al.	200/314
7,180,021	B2 *	2/2007	Birdwell et al.	200/310
2007/0221485	A1 *	9/2007	Yang et al.	200/296
2007/0235312	A1 *	10/2007	Takeuchi	200/520

* cited by examiner

Primary Examiner—Selina Sikder

(74) *Attorney, Agent, or Firm*—Kirton & McConkie; Evan R. Witt

(57) **CLAIM**

The ornamental design for set of buttons on motherboard, as shown and described.

DESCRIPTION

FIG. 1 is a perspective view of set of buttons on motherboard showing our new design;

FIG. 2 is a right side view of FIG. 1;

FIG. 3 is a top view of FIG. 1;

FIG. 4 is a front view of FIG. 1;

FIG. 5 is a bottom view of FIG. 1;

FIG. 6 is a left side view of FIG. 1;

FIG. 7 is a rear view of FIG. 1;

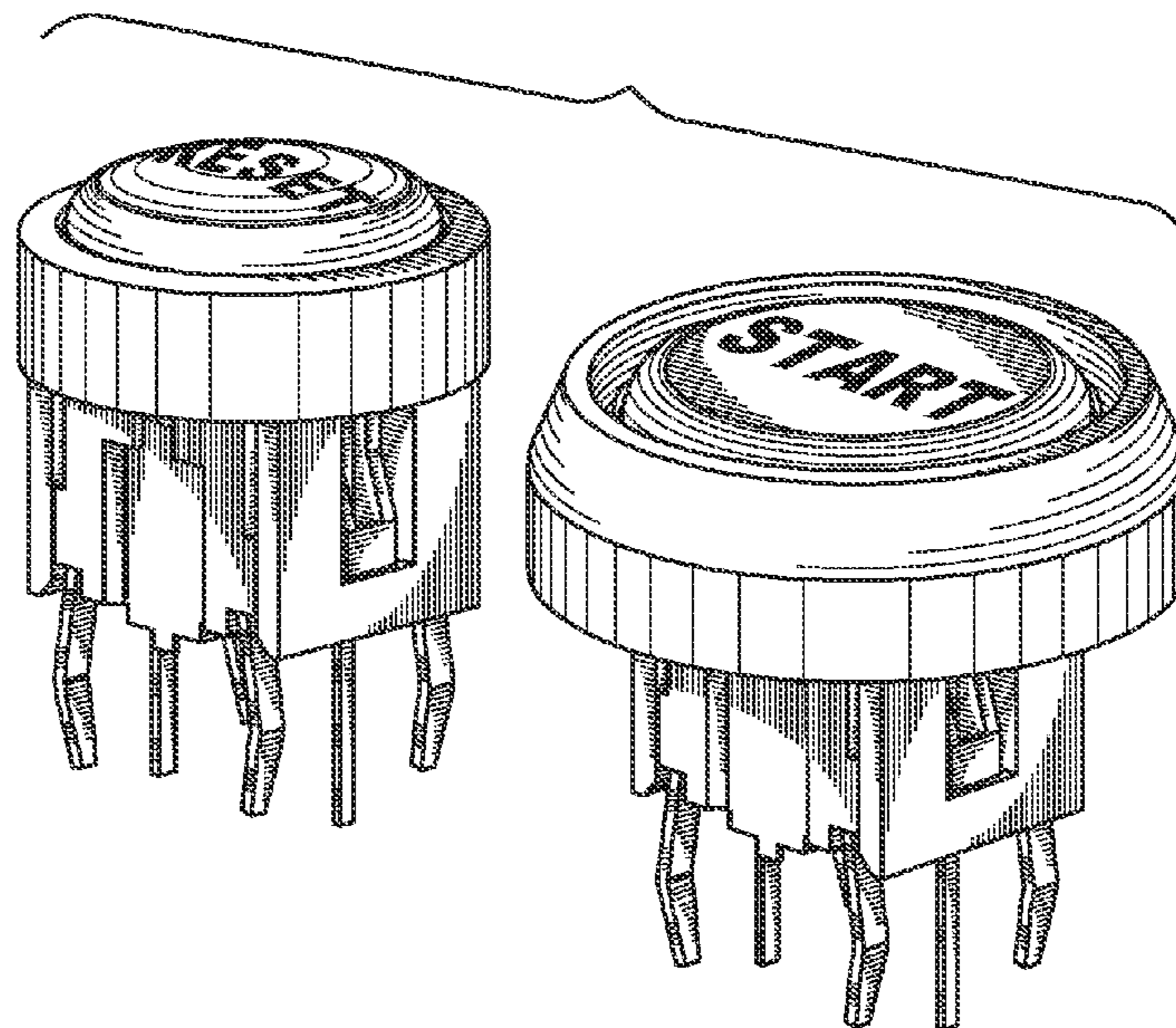
FIG. 8 is a top plan view showing the buttons of FIG. 1 disposed on a motherboard;

FIG. 9 is a top plan view showing an alternate location of the buttons of FIG. 1 disposed on a motherboard; and,

FIG. 10 is a partial front side view of FIG. 8.

The broken lines shown are for illustrative purposes only and form no part of the claimed design.

1 Claim, 8 Drawing Sheets



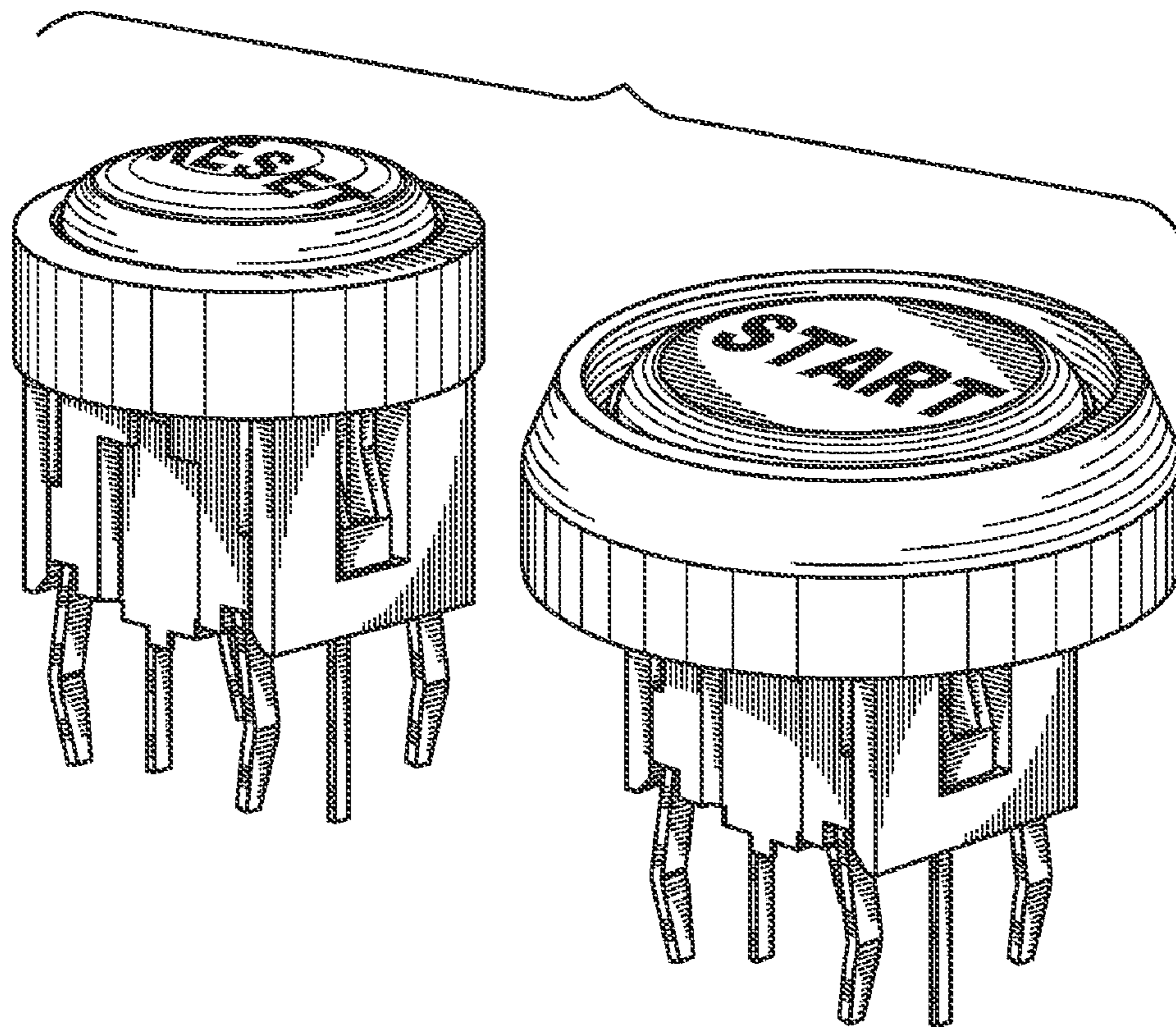


FIG. 1

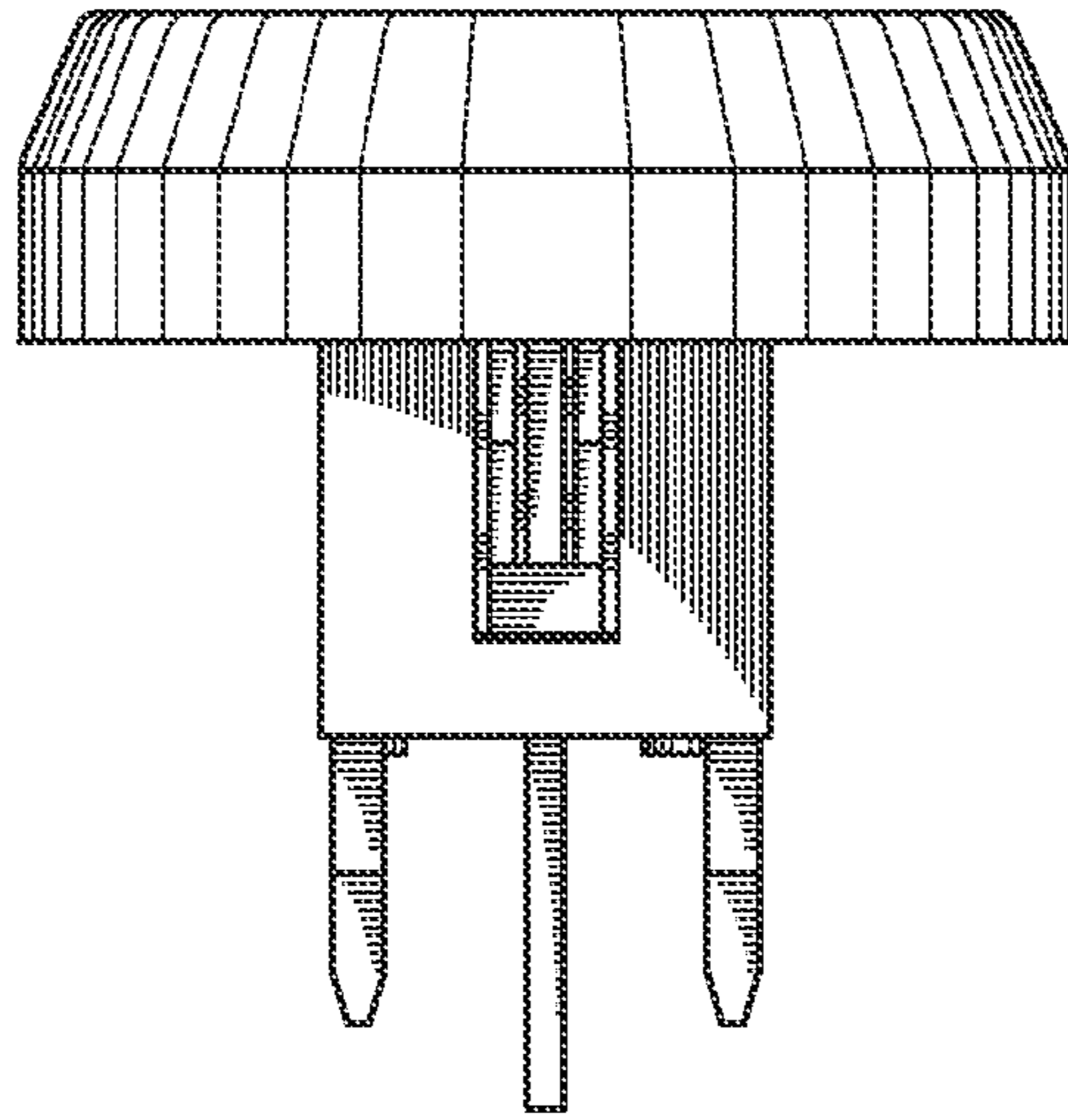


FIG. 2

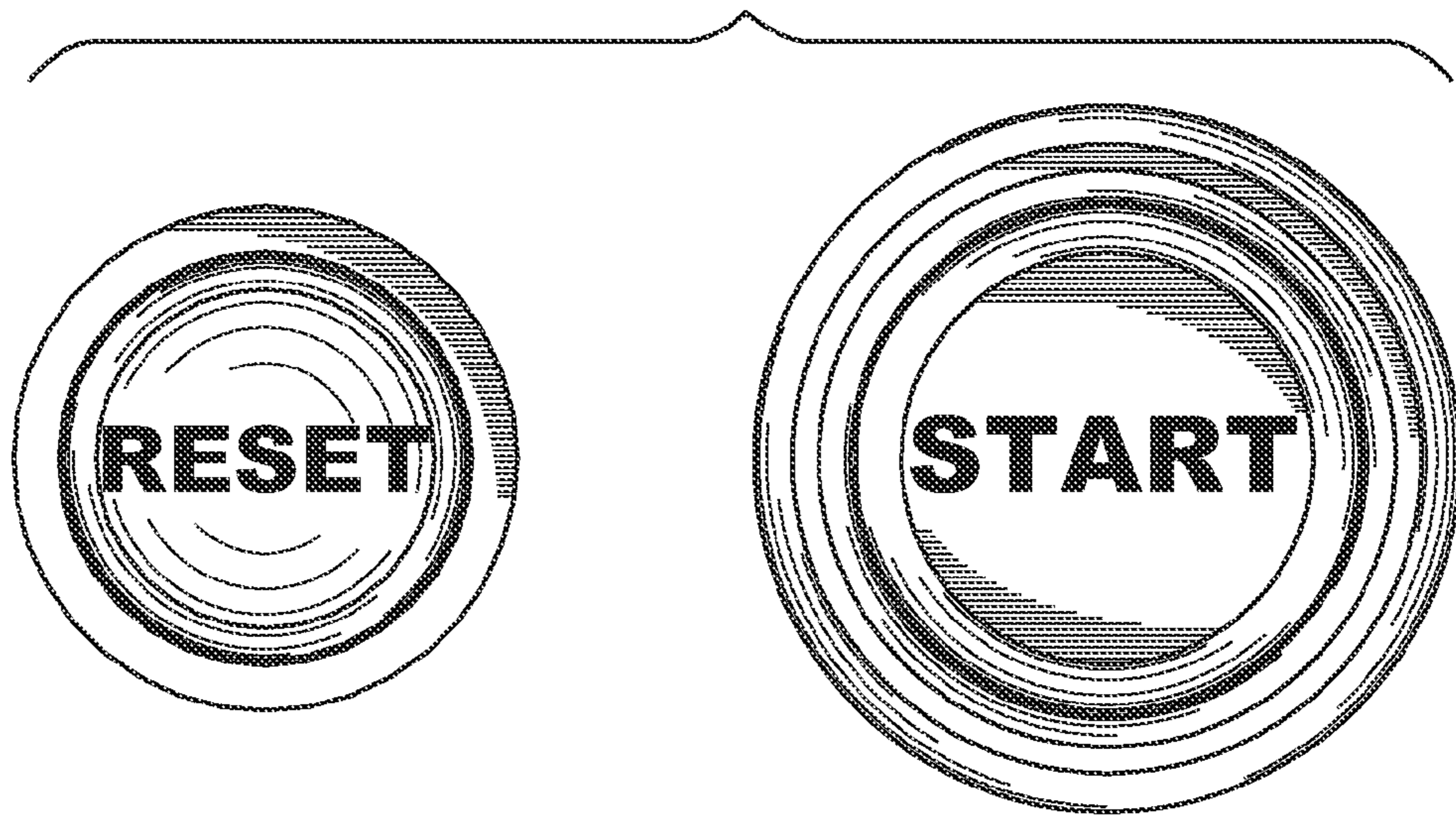


FIG. 3

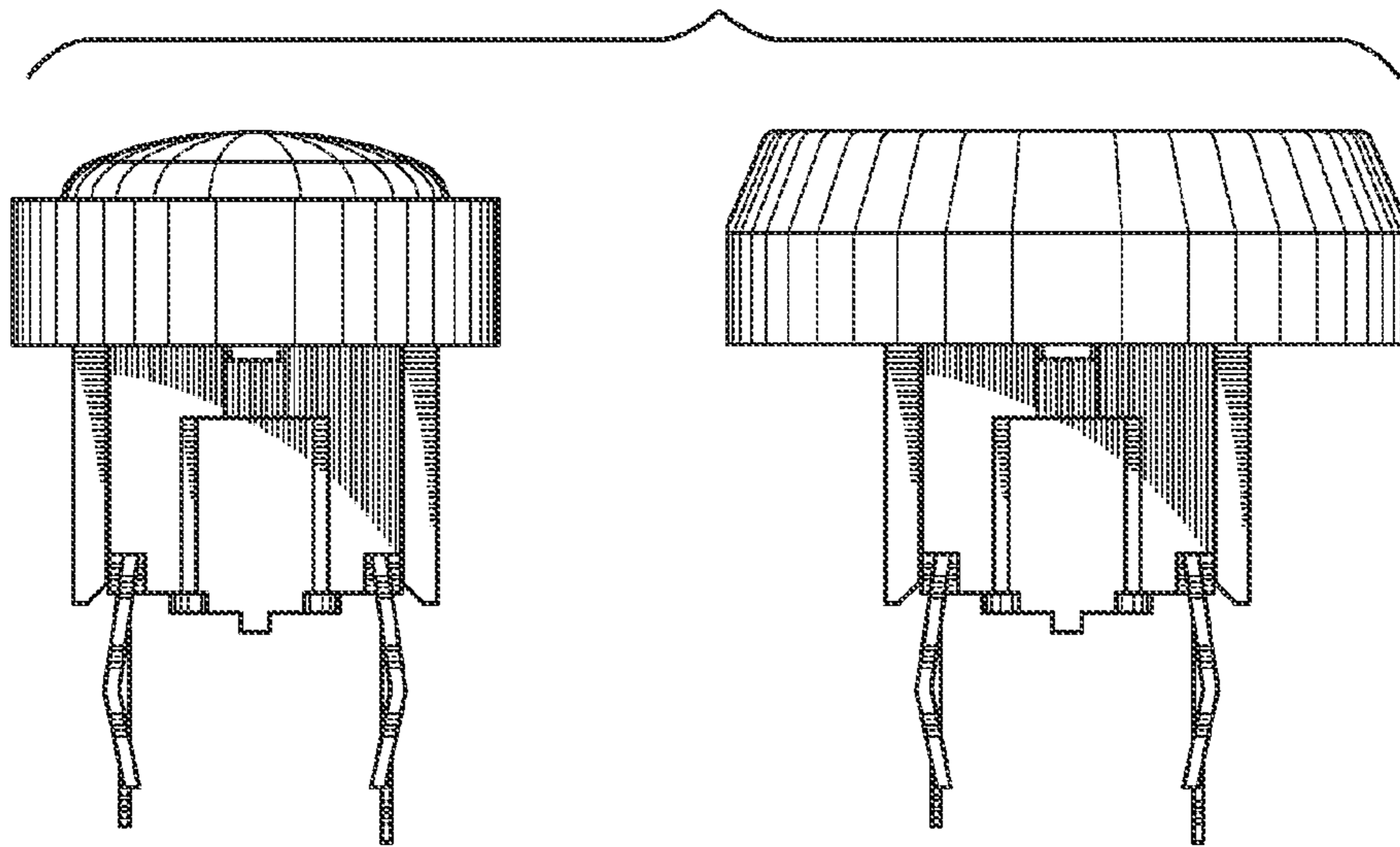


FIG.4

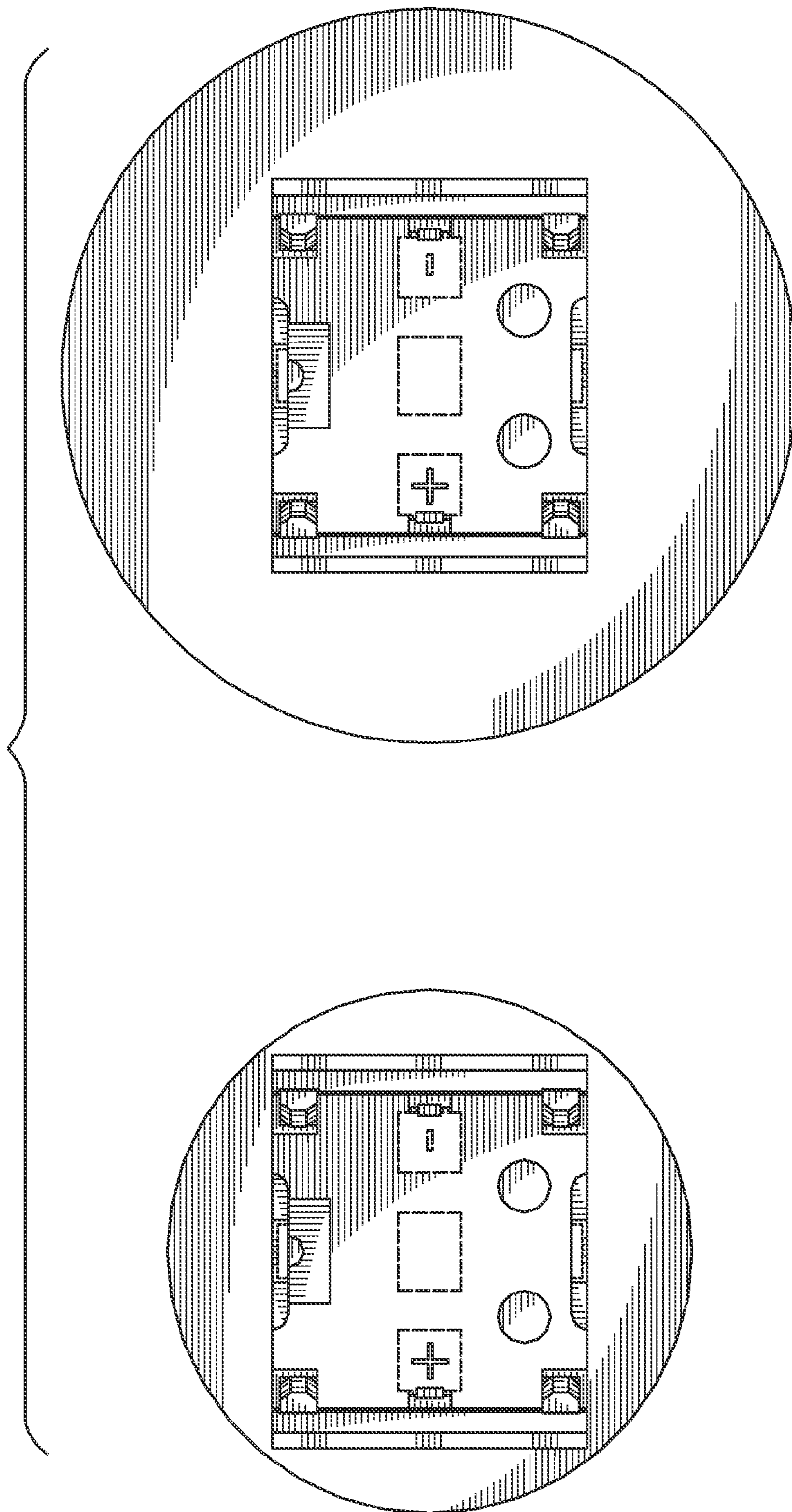


FIG.5

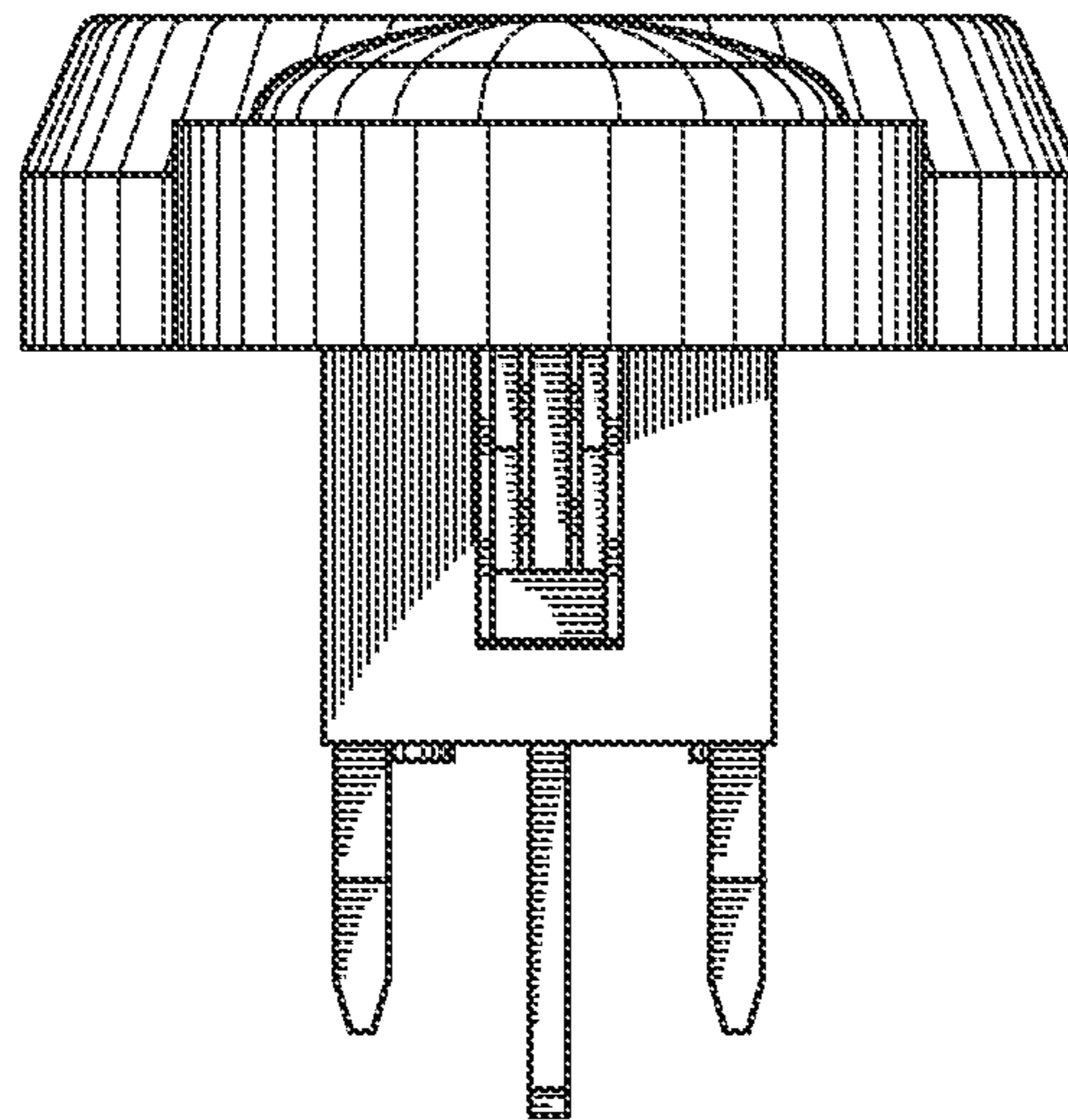


FIG. 6

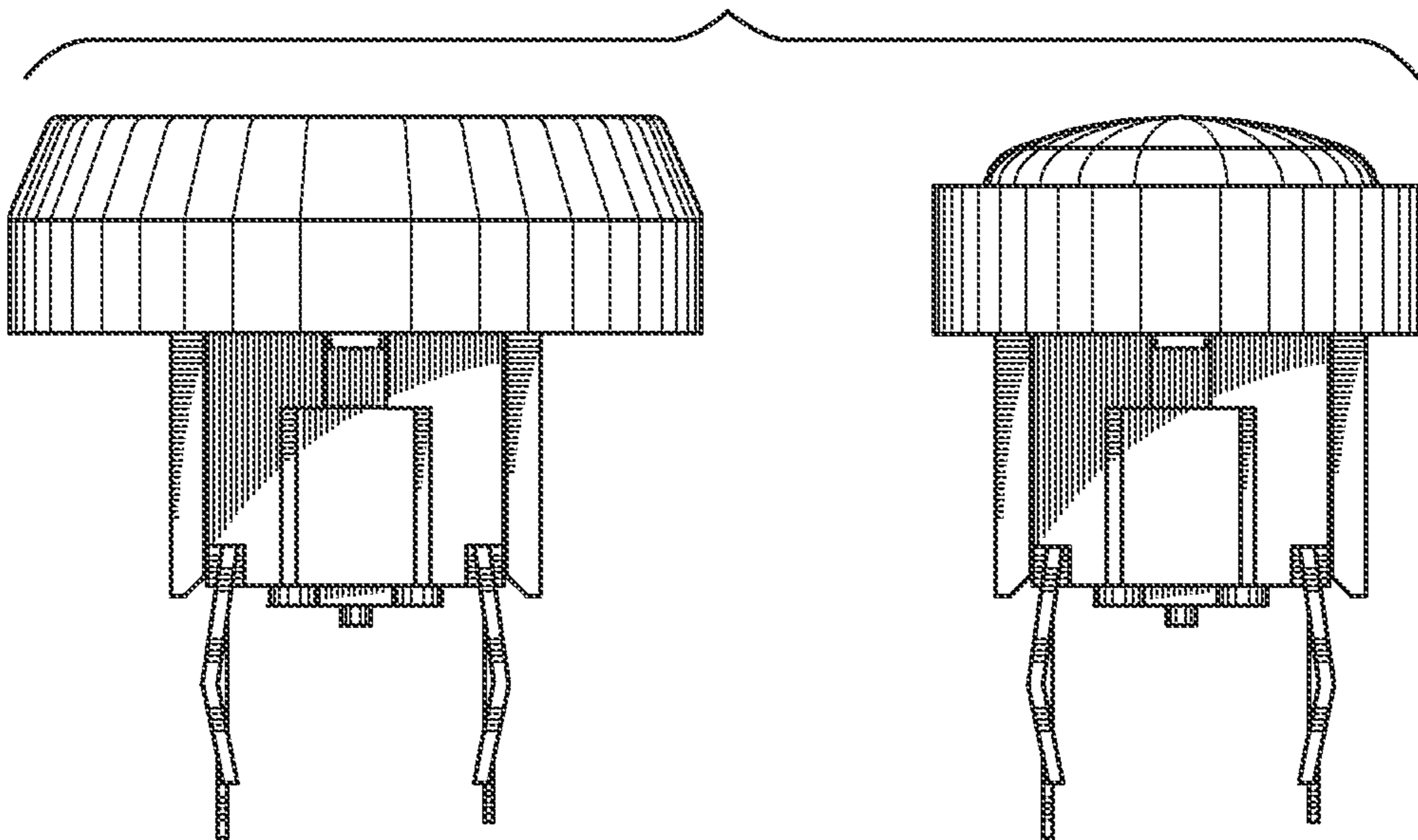


FIG. 7

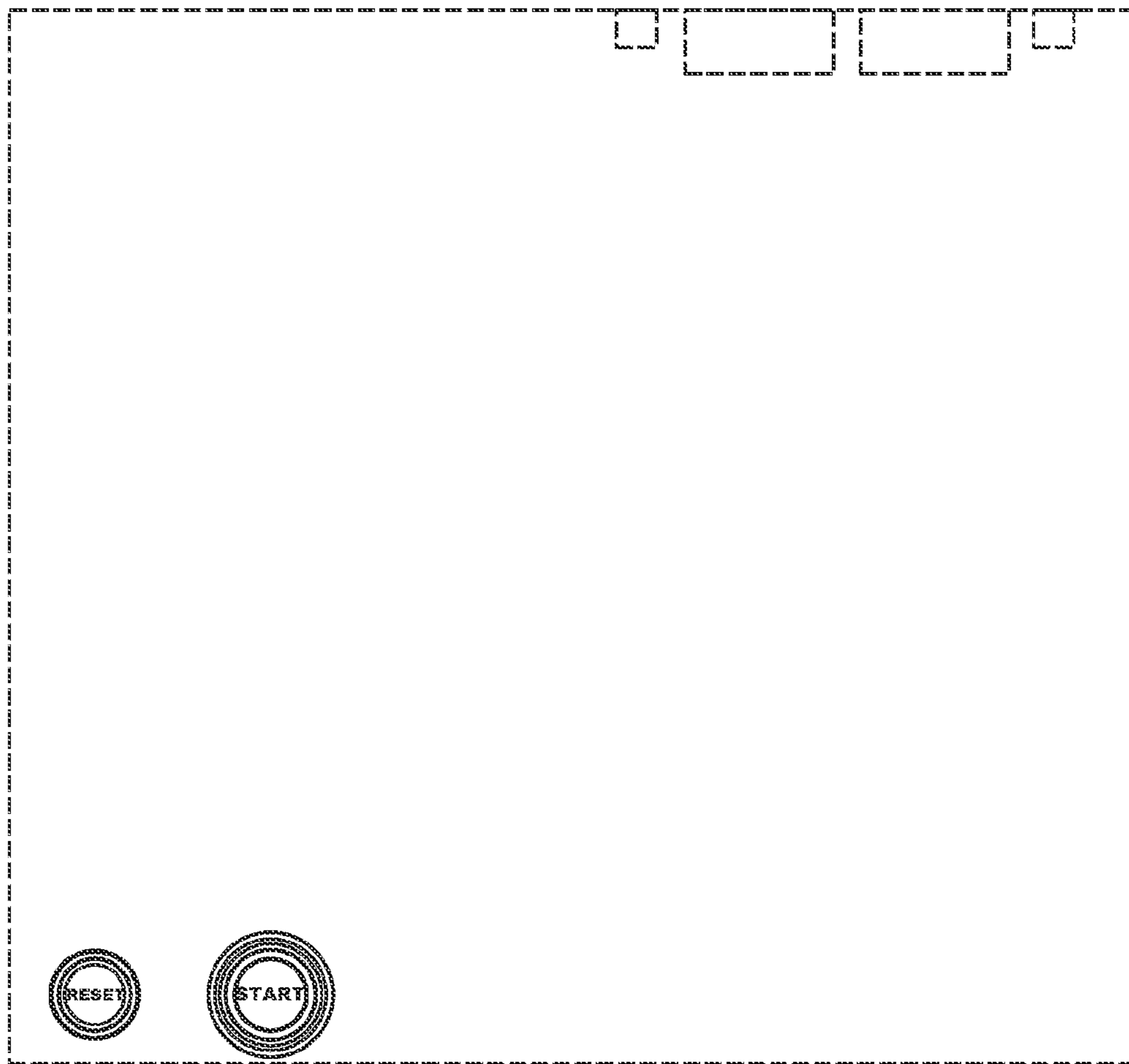


FIG. 8

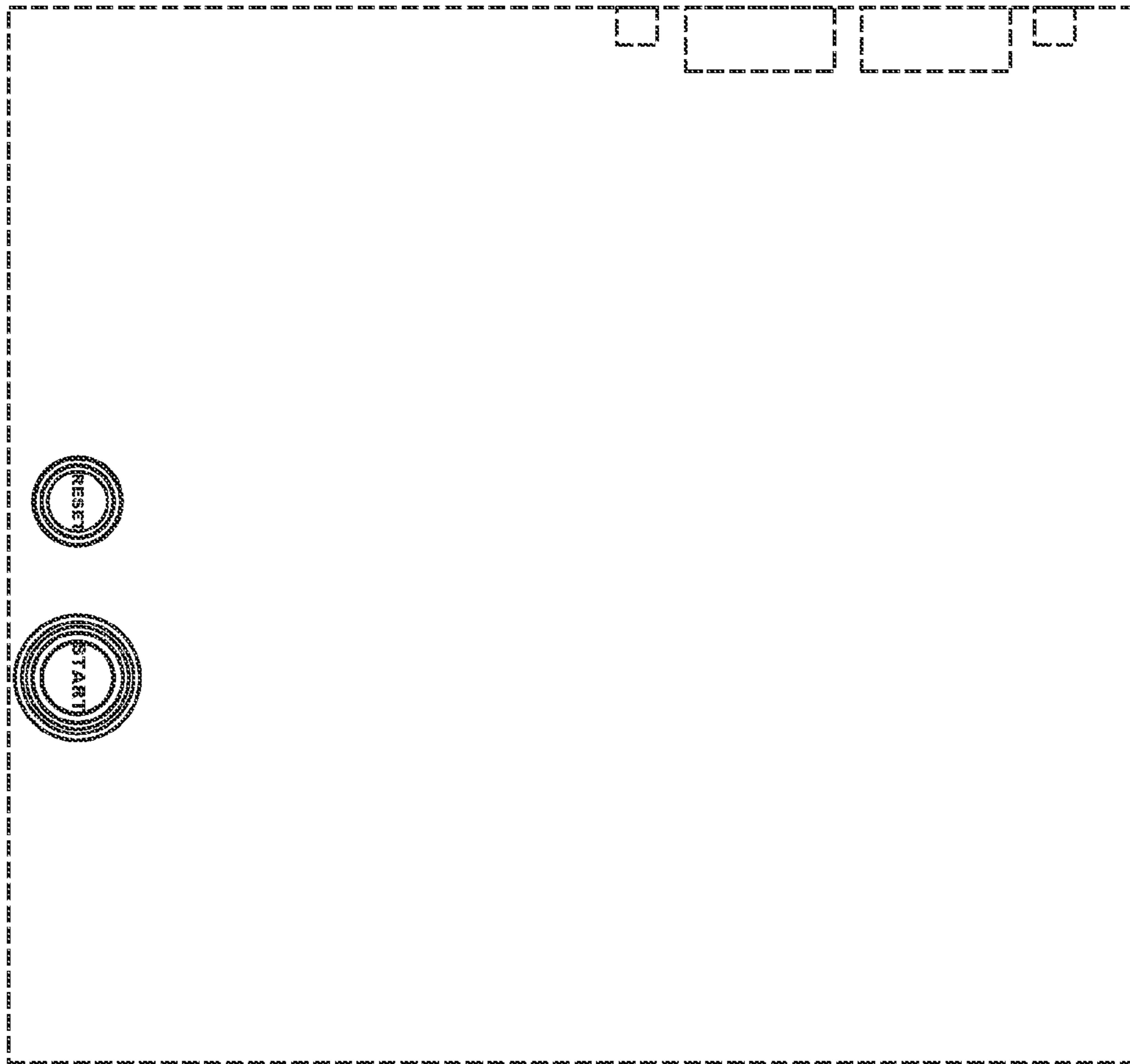


FIG. 9

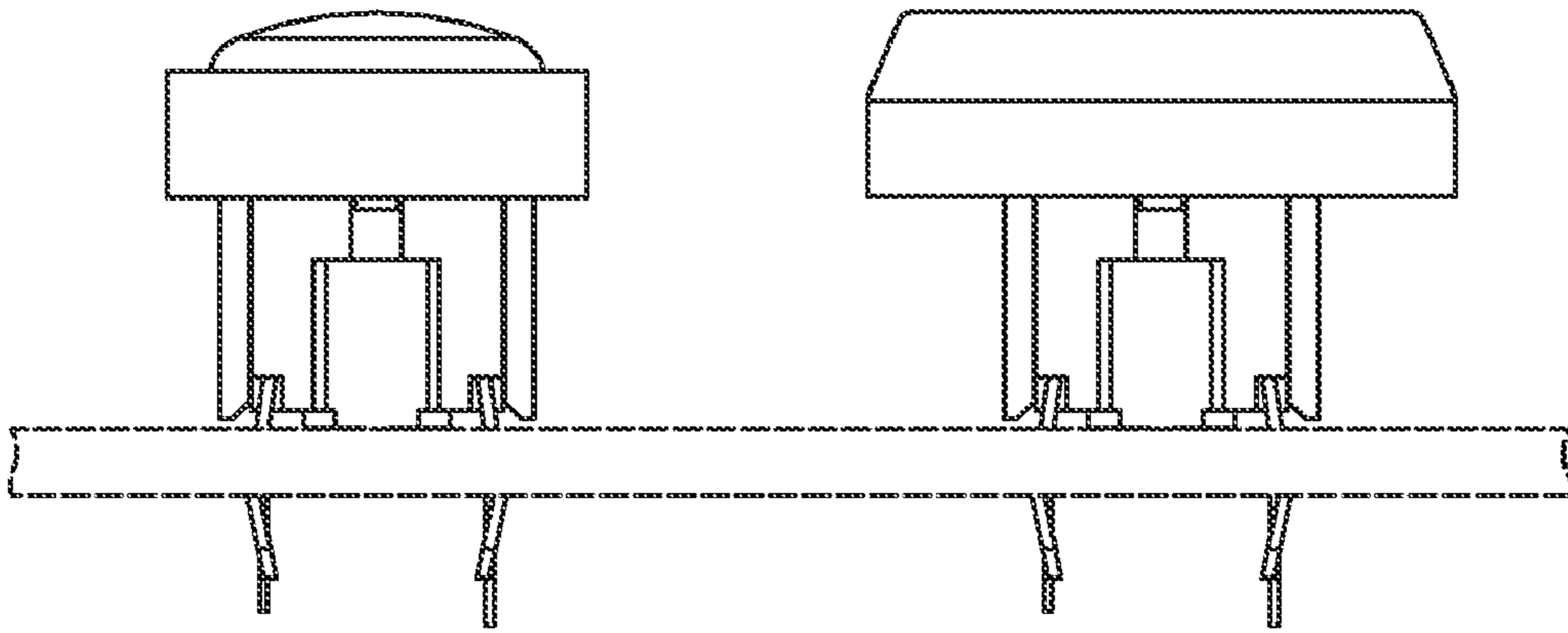


FIG. 10