



US00D611912S

(12) **United States Design Patent**
Montena

(10) **Patent No.:** **US D611,912 S**
(45) **Date of Patent:** **** Mar. 16, 2010**

(54) **COMPRESSION TYPE CONNECTOR**

2008/0233791 A1* 9/2008 Hanks 439/427
2009/0233482 A1* 9/2009 Chawgo et al. 439/578

(75) Inventor: **Noah P. Montena**, Syracuse, NY (US)

* cited by examiner

(73) Assignee: **John Mezzalingua Associates, Inc., E.**
Syracuse, NY (US)

Primary Examiner—Daniel D Bui

Assistant Examiner—Thomas J Johannes

(**) Term: **14 Years**

(74) *Attorney, Agent, or Firm*—Schmeiser, Olsen & Watts

(21) Appl. No.: **29/343,177**

(57) **CLAIM**

(22) Filed: **Sep. 9, 2009**

The ornamental design for a compression type connector, as shown and described.

(51) **LOC (9) Cl.** **13-03**

(52) **U.S. Cl.** **D13/151**

(58) **Field of Classification Search** D13/133,
D13/149, 151, 154, 184, 199; 439/13, 20,
439/22, 133, 135, 246, 252, 306, 321, 322,
439/480, 476.1, 578, 580, 583, 584, 585,
439/668, 805; 175/75 C

See application file for complete search history.

DESCRIPTION

FIG. 1 is a front perspective view of a compression type connector, showing my new design;

FIG. 2 is a top view thereof, the bottom view being a mirror image thereto;

FIG. 3 is a front view thereof; and,

FIG. 4 is a back view thereof.

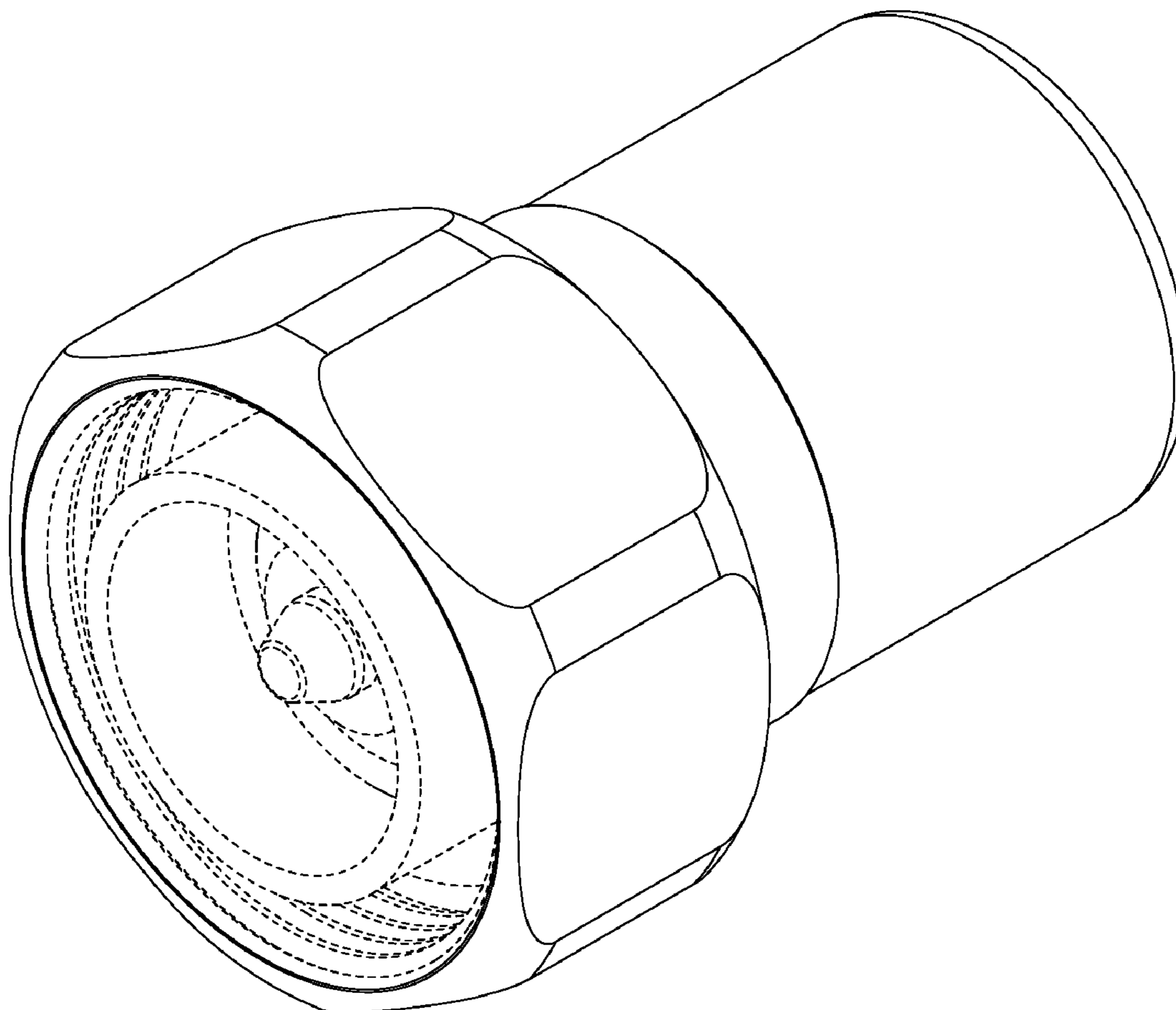
Broken lines, where shown, are for illustrative purposes only and form no part of the claimed design.

(56) **References Cited**

U.S. PATENT DOCUMENTS

D578,073 S * 10/2008 Amidon D13/151
D578,077 S * 10/2008 Amidon D13/154

1 Claim, 4 Drawing Sheets



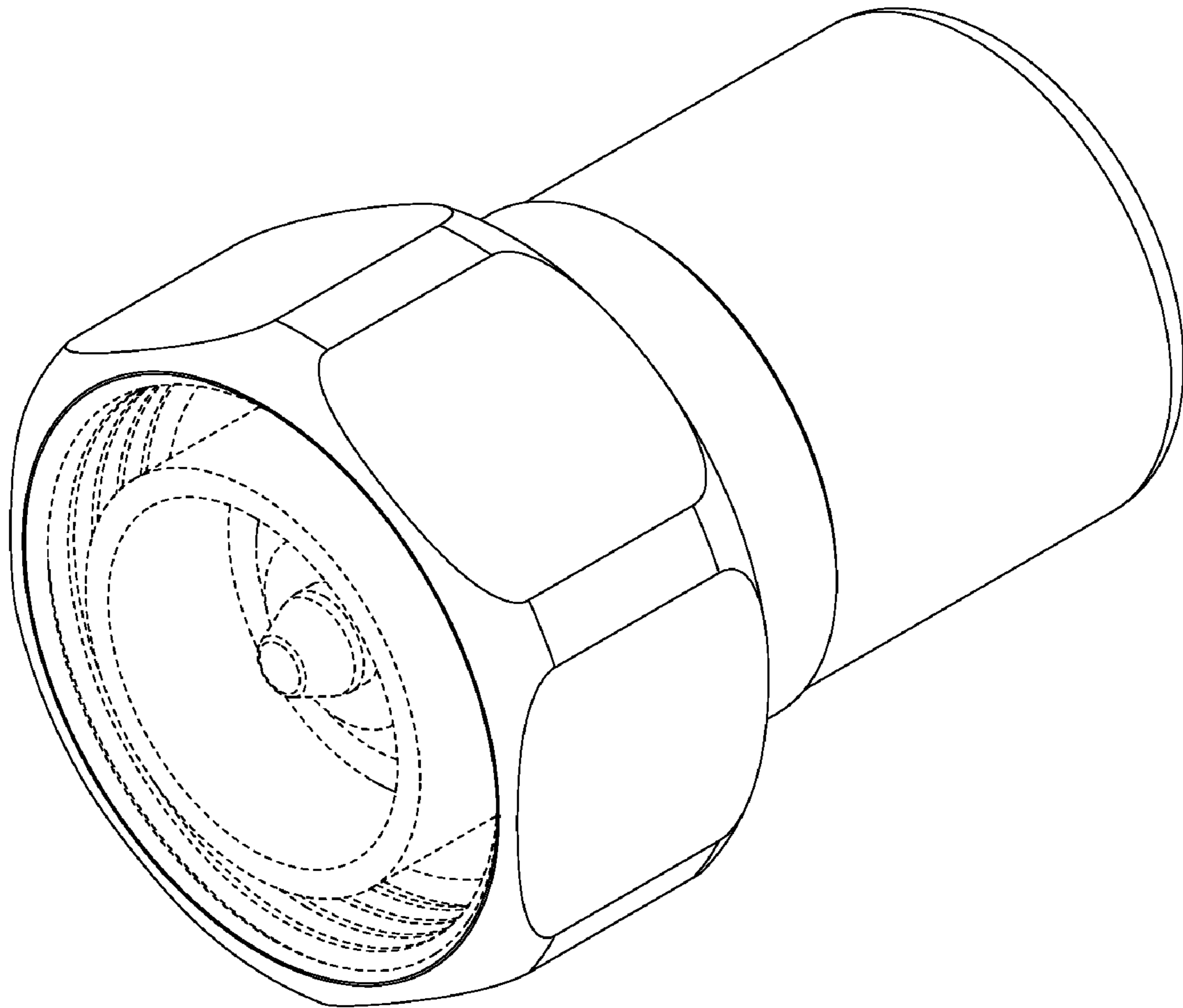


FIG. 1

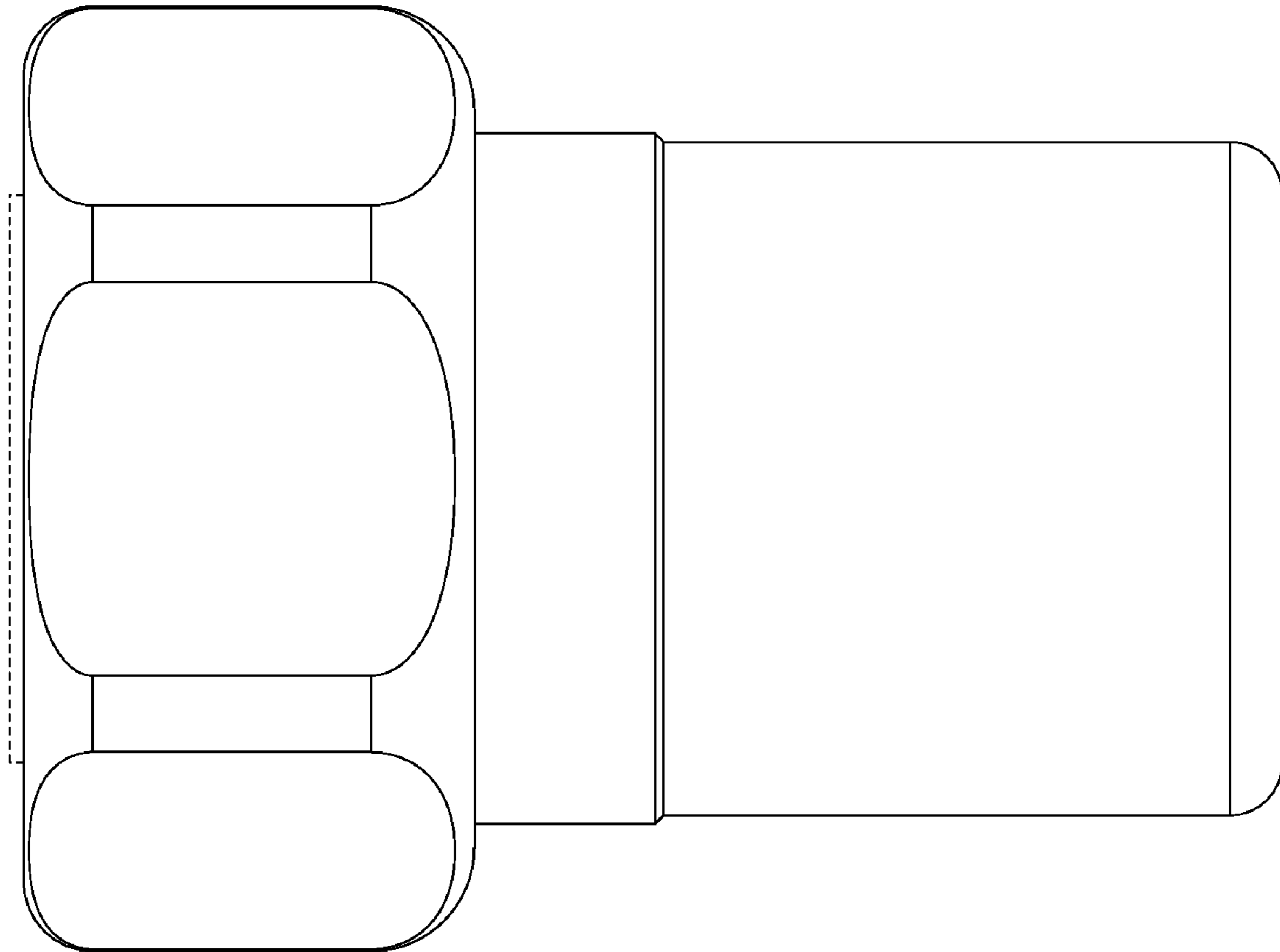


FIG. 2

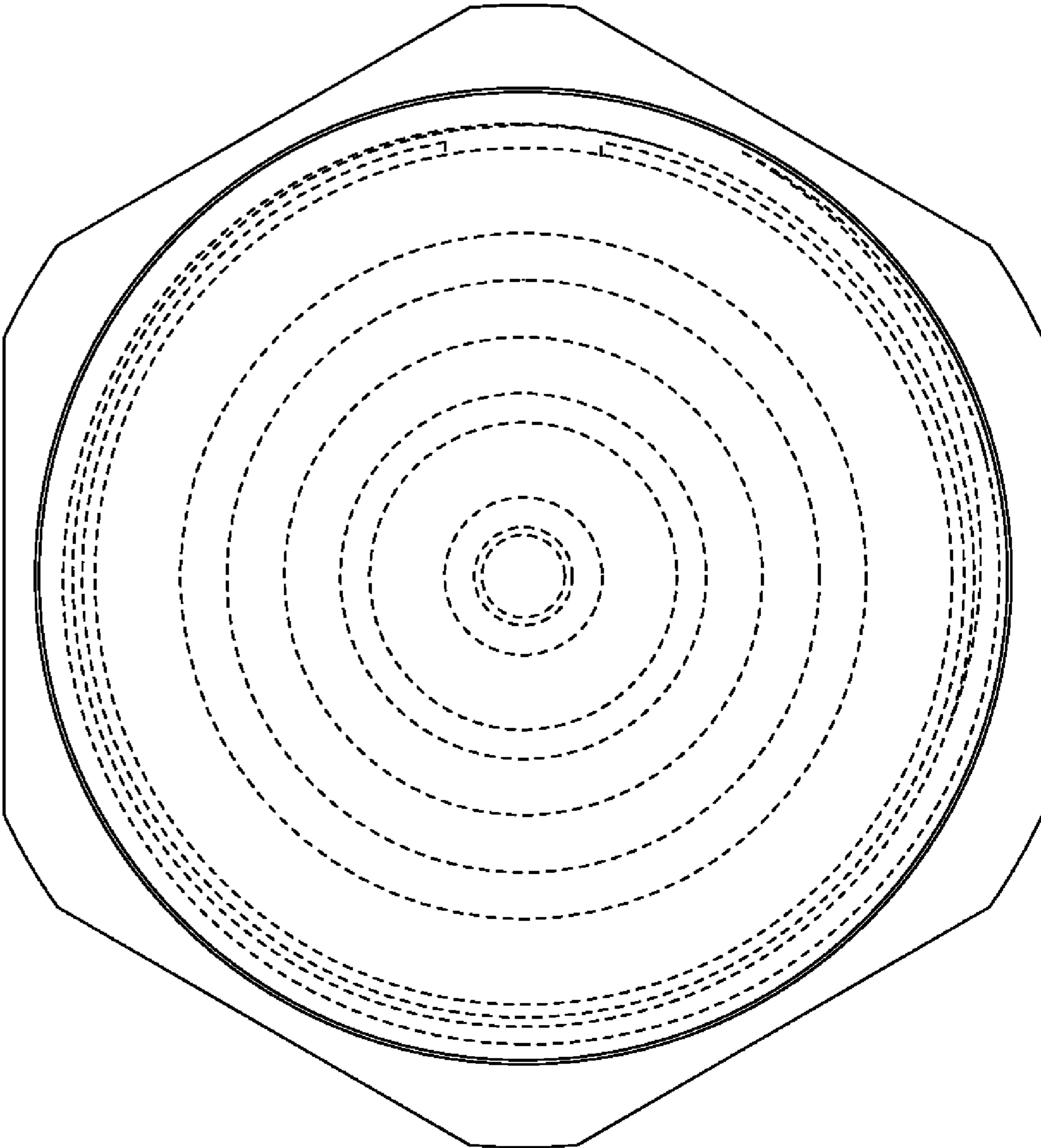


FIG. 3

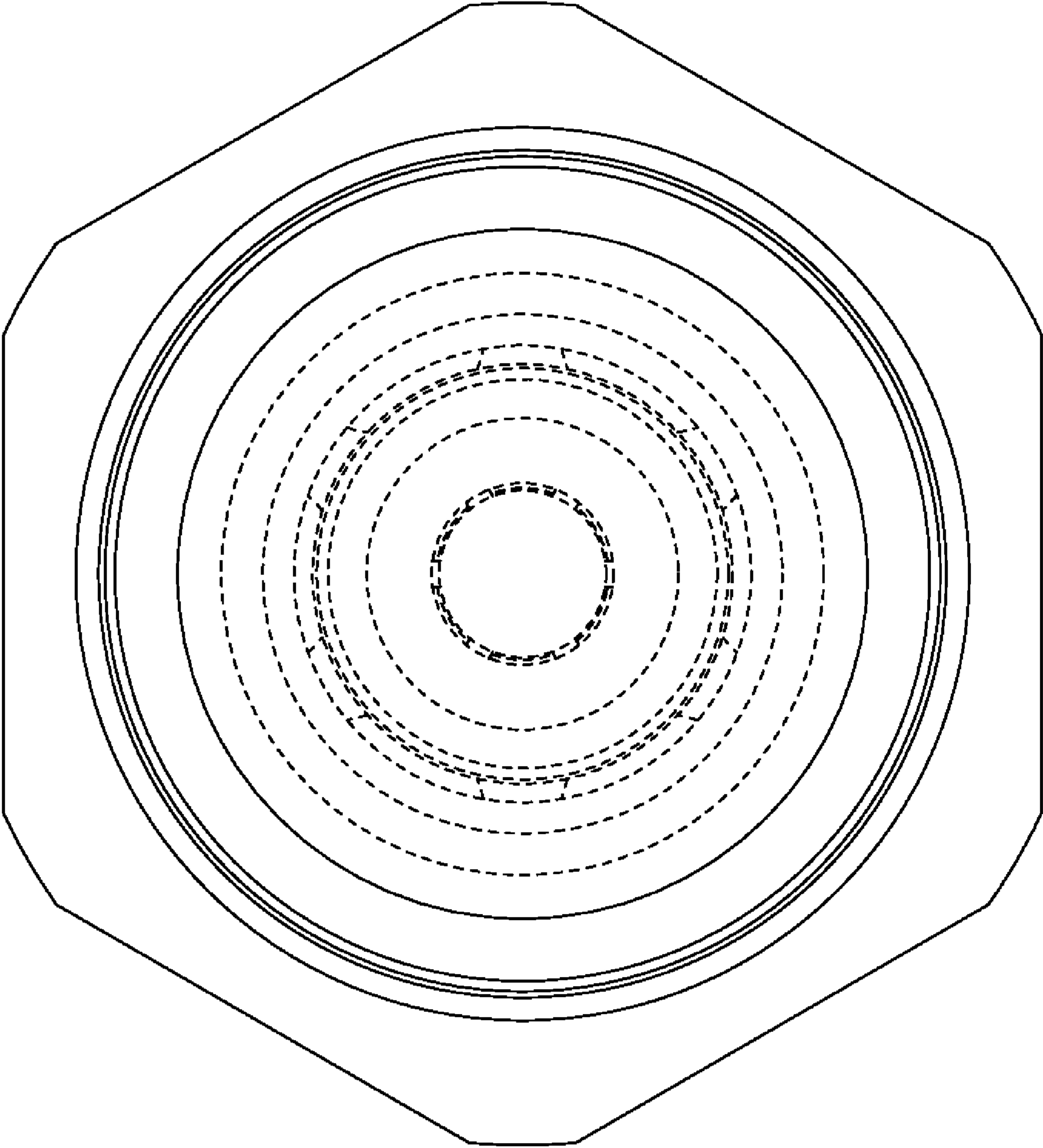


FIG. 4