



US00D611911S

(12) **United States Design Patent**  
**Wang et al.**

(10) **Patent No.:** **US D611,911 S**  
(45) **Date of Patent:** **\*\* Mar. 16, 2010**

(54) **ELECTRICAL CONNECTOR**

(75) Inventors: **Chen-Xi Wang**, Kunshan (CN);  
**Hong-Qiang Han**, Kunshan (CN);  
**Zi-Qiang Zhu**, Kunshan (CN)

(73) Assignee: **Hon Hai Precision Ind. Co., Ltd.**,  
Taipei Hsien (TW)

(\*\*) Term: **14 Years**

(21) Appl. No.: **29/339,314**

(22) Filed: **Jun. 29, 2009**

(30) **Foreign Application Priority Data**

Dec. 29, 2008 (CN) ..... 2008 3 0303463

(51) **LOC (9) Cl.** ..... **13-03**

(52) **U.S. Cl.** ..... **D13/147**

(58) **Field of Classification Search** ..... D13/133,  
D13/146-147, 154, 184; 439/79, 108, 378,  
439/540.1, 541.5, 607-610, 660, 680, 883,  
439/891, 894

See application file for complete search history.

(56) **References Cited**

**U.S. PATENT DOCUMENTS**

D381,957 S \* 8/1997 Goto ..... D13/147  
5,676,569 A \* 10/1997 Davis ..... 439/731

D405,053 S \* 2/1999 Tan et al. .... D13/147  
D443,251 S \* 6/2001 Wang et al. .... D13/147  
D545,767 S \* 7/2007 Chen et al. .... D13/147

\* cited by examiner

*Primary Examiner*—Daniel D Bui

(74) *Attorney, Agent, or Firm*—Wei Te Chung; Andrew C. Cheng; Ming Chieh Chang

(57) **CLAIM**

The ornamental design for an electrical connector, as shown and described.

**DESCRIPTION**

FIG. 1 is a front, top and right side perspective view of an electrical connector showing our new design;

FIG. 2 is a front elevational view thereof;

FIG. 3 is a rear elevational view thereof;

FIG. 4 is a left side elevational view thereof;

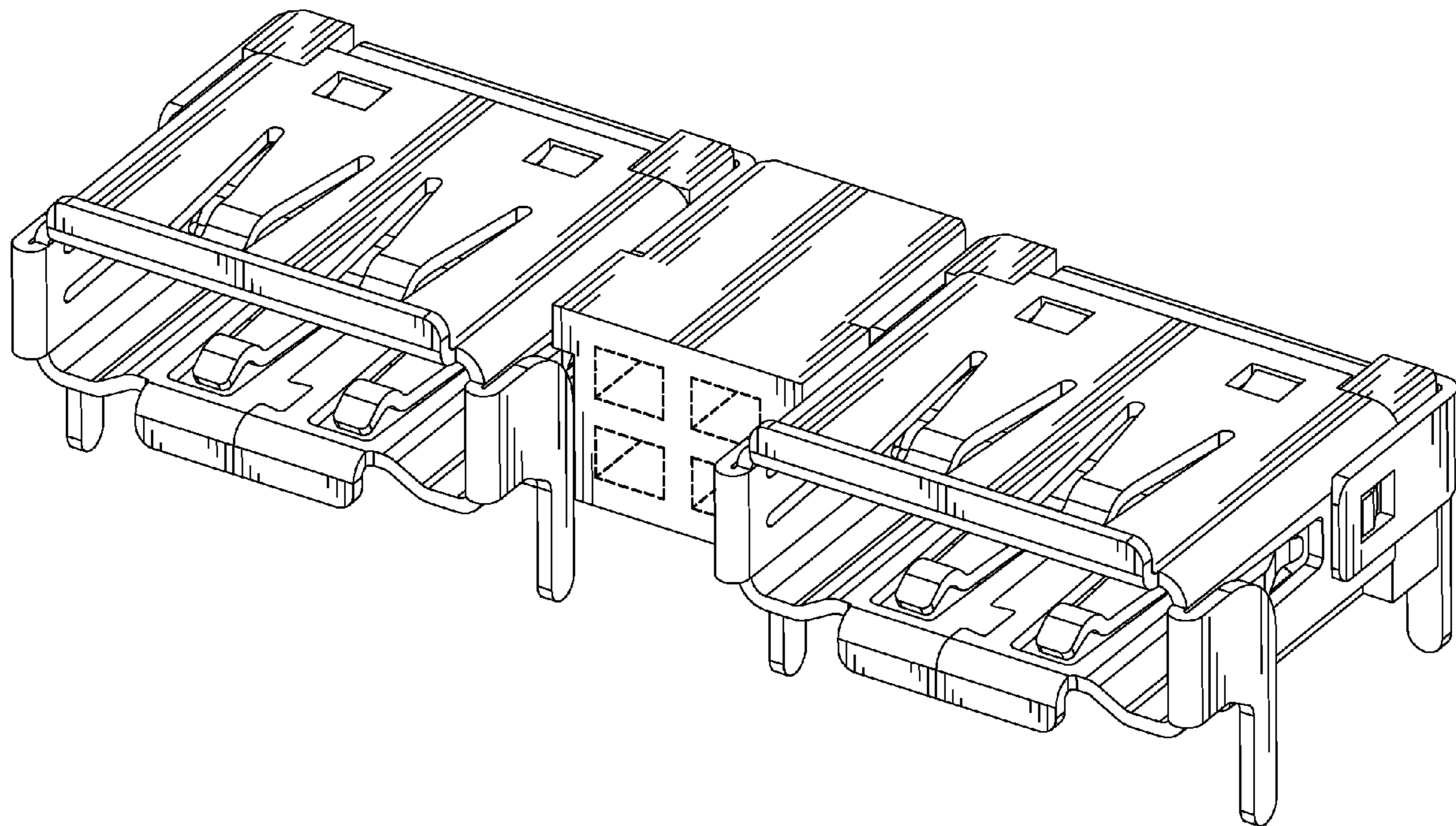
FIG. 5 is a right side elevational view thereof;

FIG. 6 is a top plan view thereof; and,

FIG. 7 is a bottom plan view thereof.

The broken line portion of the figure drawings is included to show unclaimed subject matter only and forms no part of the claimed design.

**1 Claim, 7 Drawing Sheets**



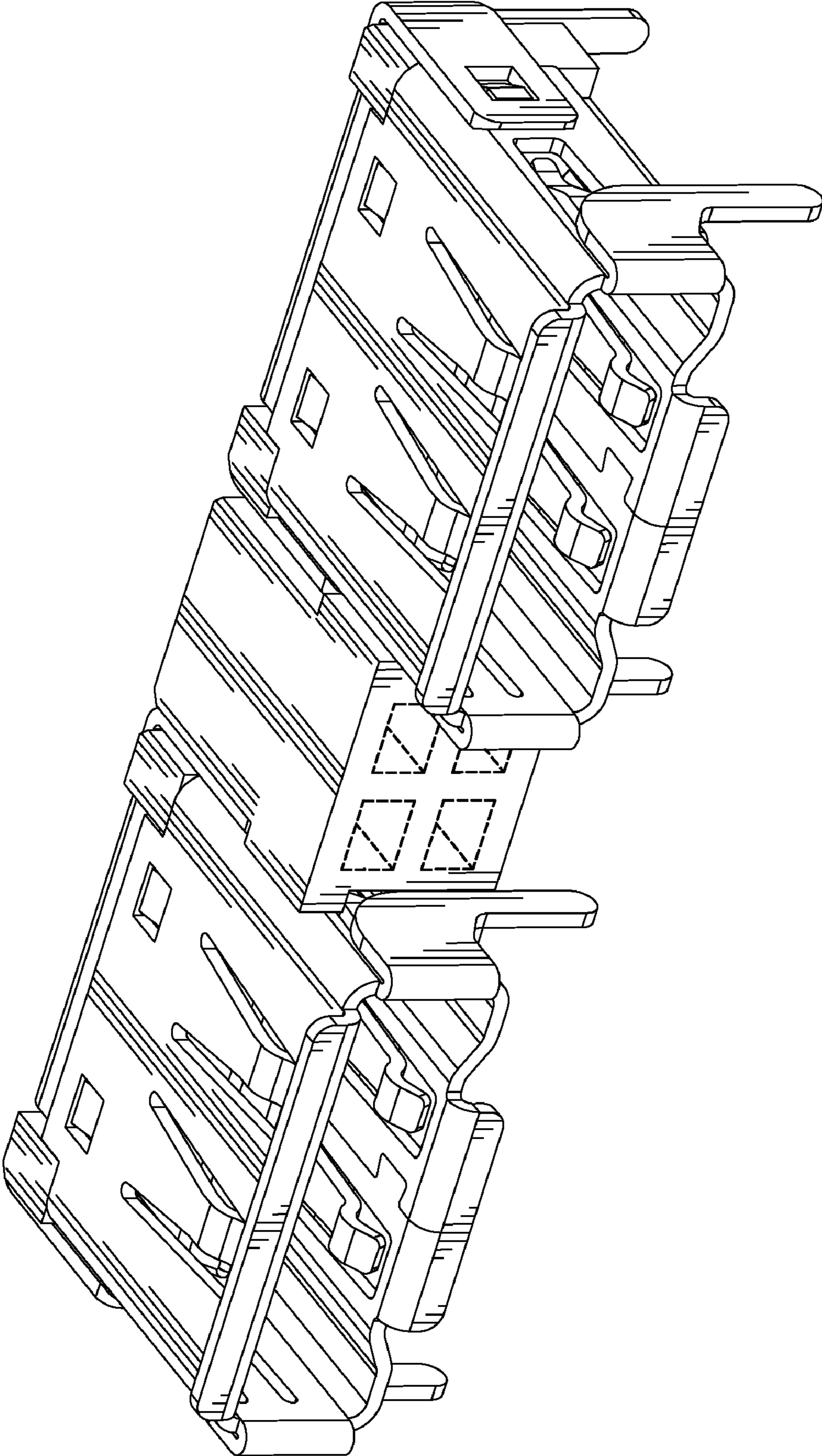


FIG. 1

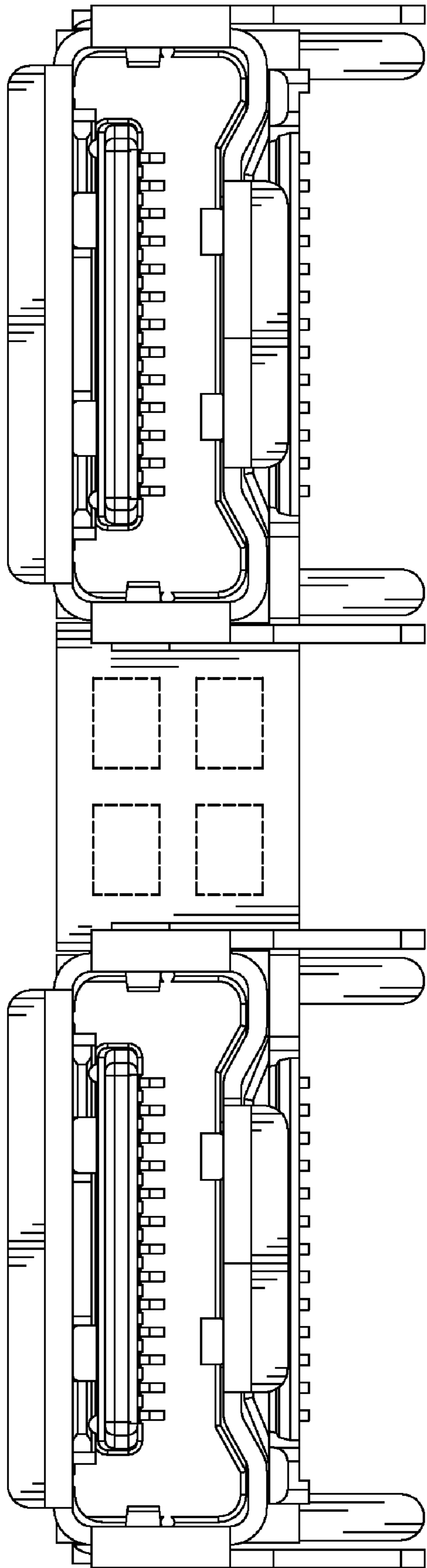


FIG. 2

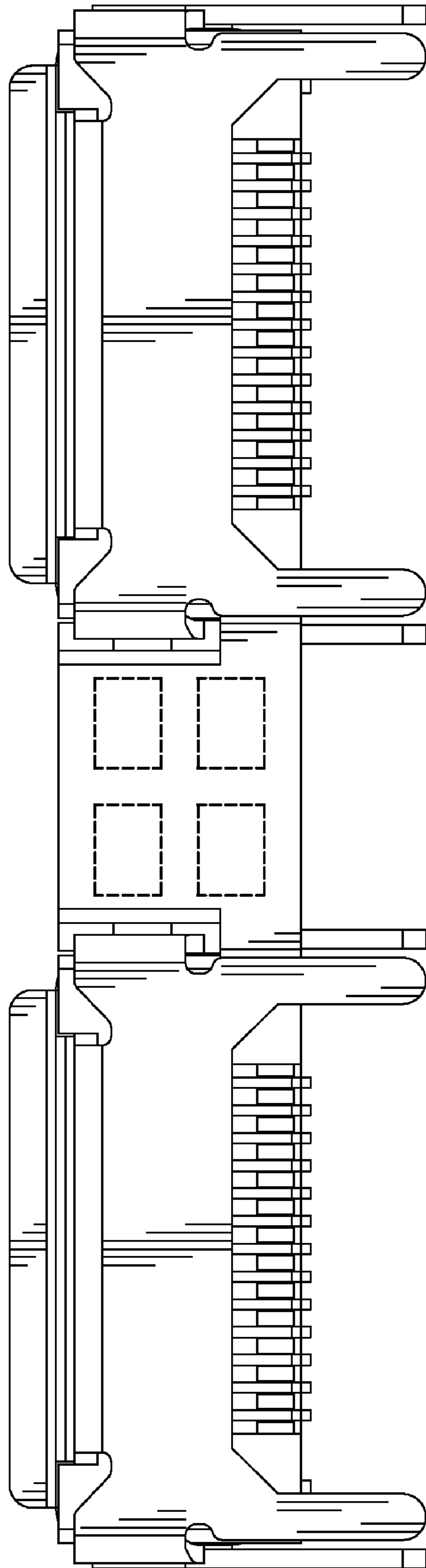


FIG. 3

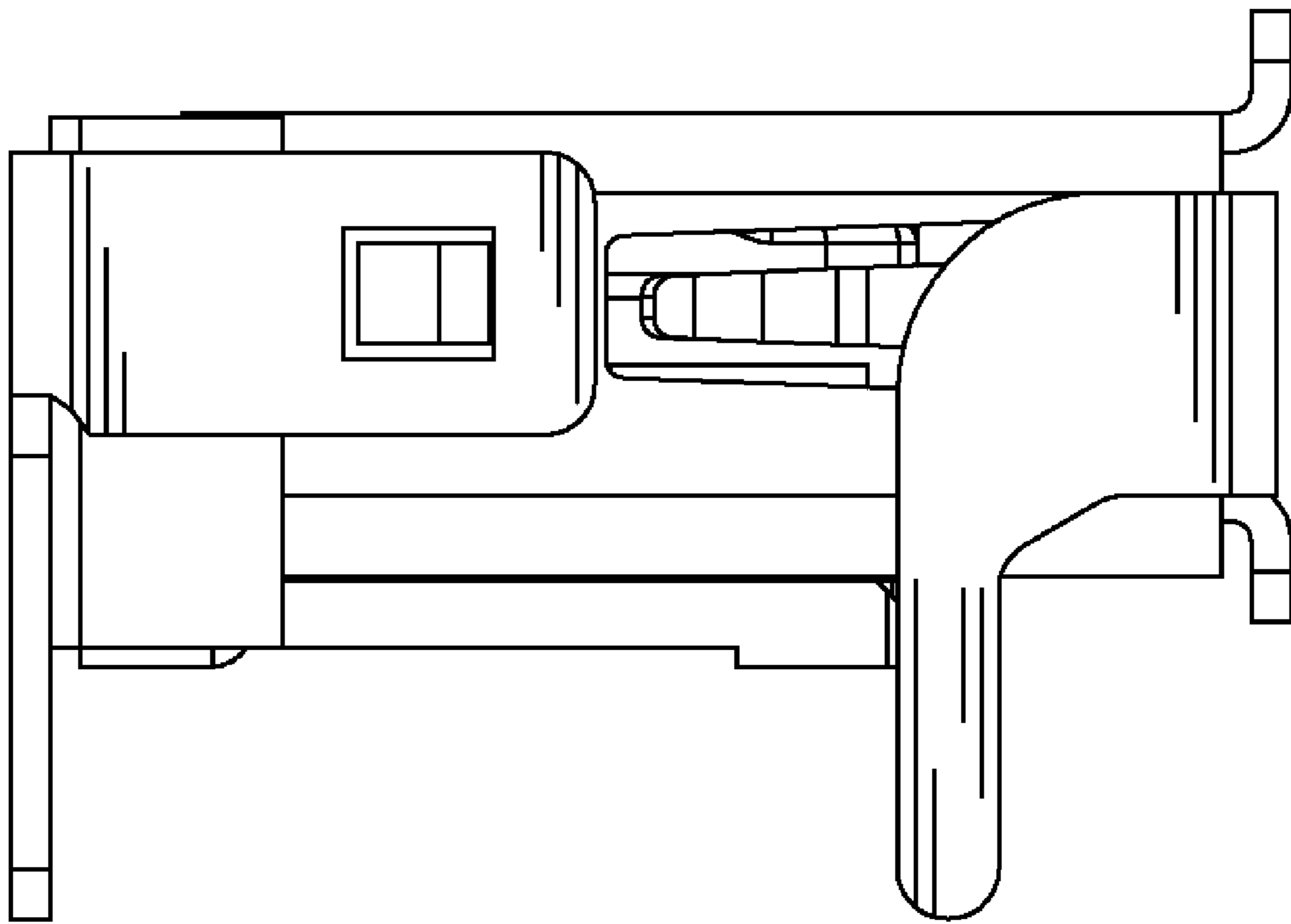


FIG. 4

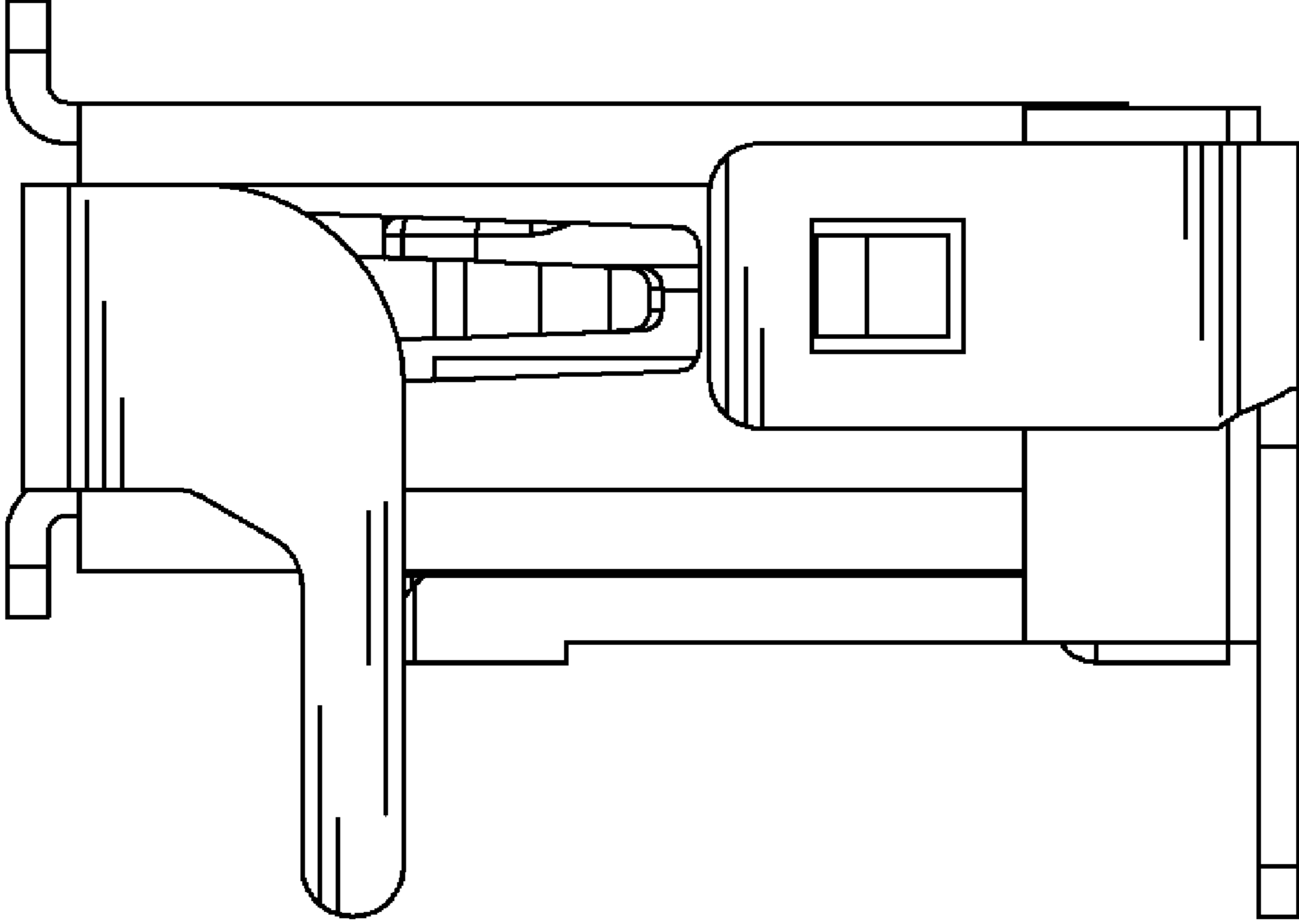


FIG. 5



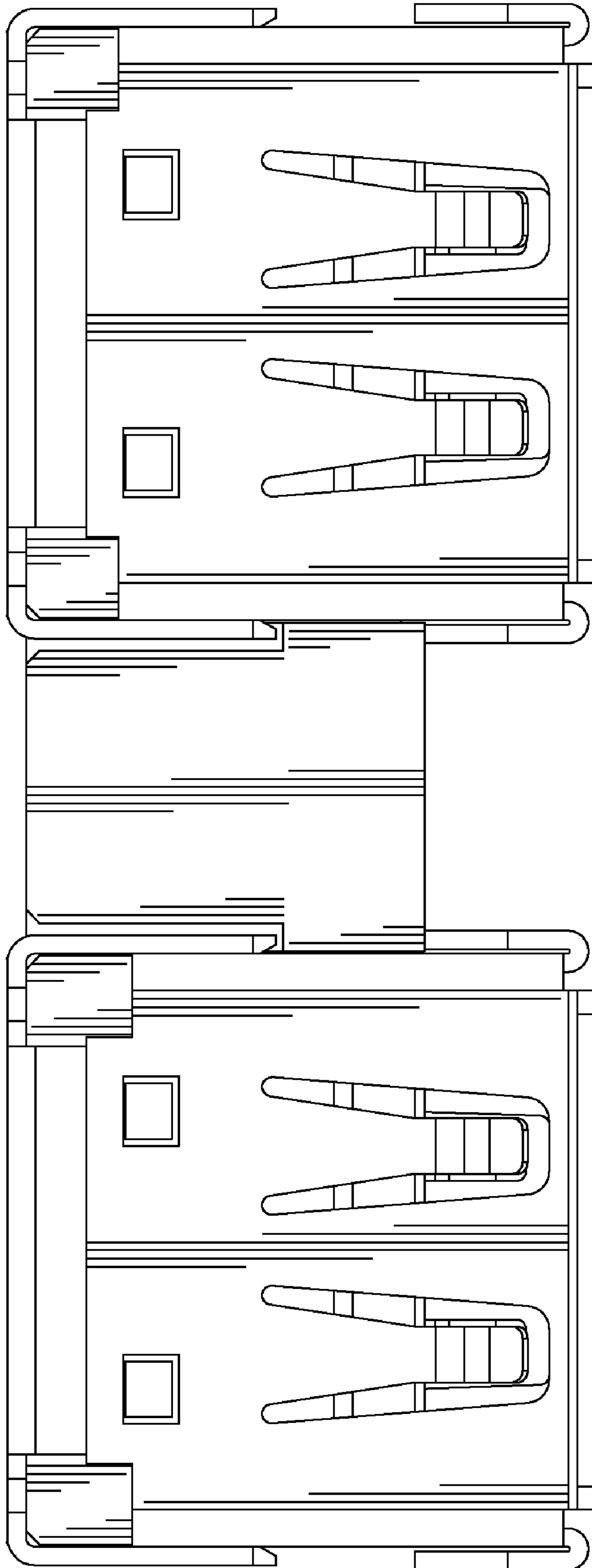


FIG. 6

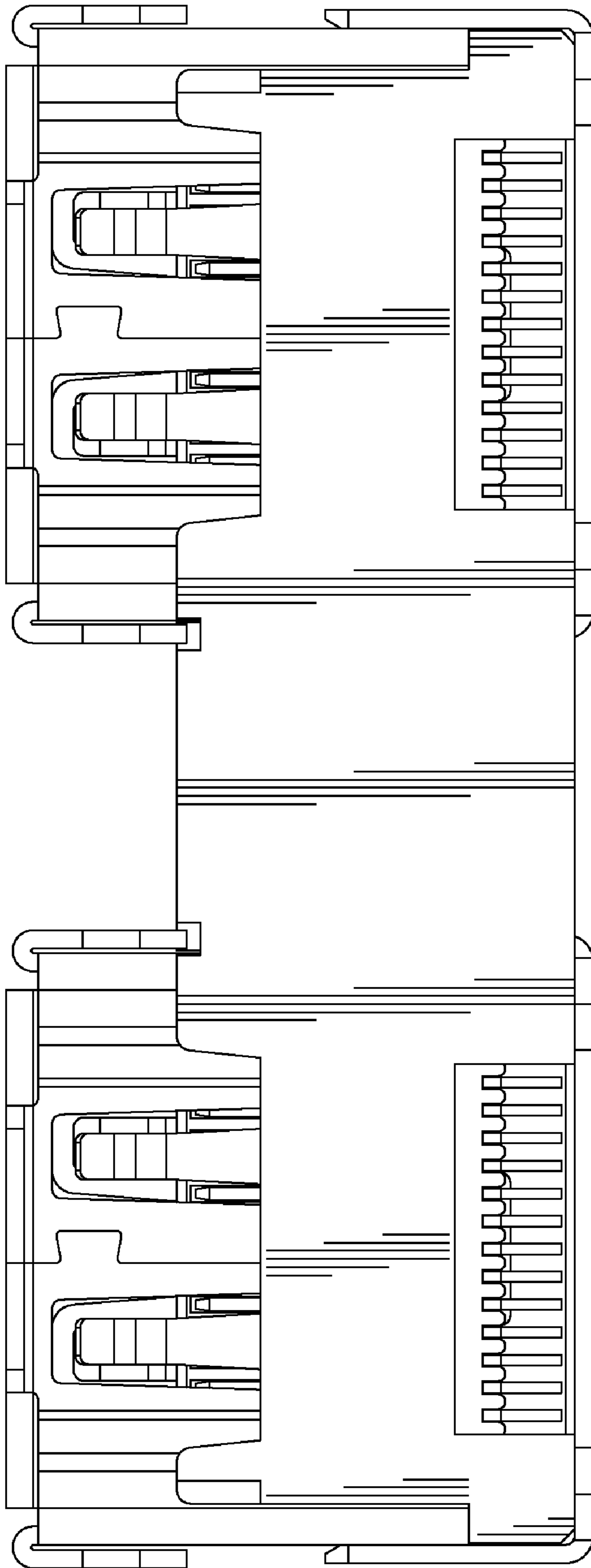


FIG. 7