



US00D611910S

(12) **United States Design Patent**  
**Wang et al.**

(10) **Patent No.:** **US D611,910 S**  
(45) **Date of Patent:** **\*\* Mar. 16, 2010**

(54) **ELECTRICAL CONNECTOR**

(75) Inventors: **Chen-Xi Wang**, Kunshan (CN);  
**Hong-Qiang Han**, Kunshan (CN);  
**Zi-Qiang Zhu**, Kunshan (CN)

(73) Assignee: **Hon Hai Precision Ind, Co., Ltd**, Taipei  
Hsien (TW)

(\*\*) Term: **14 Years**

(21) Appl. No.: **29/339,313**

(22) Filed: **Jun. 29, 2009**

(30) **Foreign Application Priority Data**

Dec. 29, 2008 (CN) ..... 2008 3 0303464

(51) **LOC (9) Cl.** ..... **13-03**

(52) **U.S. Cl.** ..... **D13/147**

(58) **Field of Classification Search** ..... D13/133,  
D13/146-147, 154, 184; 439/79, 108, 378,  
439/540.1, 541.5, 607-610, 660, 680, 883,  
439/891, 894

See application file for complete search history.

(56) **References Cited**

**U.S. PATENT DOCUMENTS**

D406,817 S \* 3/1999 Wu ..... D13/147  
D414,464 S \* 9/1999 Wu ..... D13/146

D446,774 S \* 8/2001 Zhu et al. .... D13/147  
D520,953 S \* 5/2006 Moriwake et al. .... D13/147  
2006/0009072 A1 \* 1/2006 Li ..... 439/541.5

\* cited by examiner

*Primary Examiner*—Daniel D Bui

(74) *Attorney, Agent, or Firm*—Wei Te Chung; Andrew C.  
Cheng; Ming Chieh Chang

(57) **CLAIM**

The ornamental design for an electrical connector, as shown  
and described.

**DESCRIPTION**

FIG. 1 is a front, top and right side perspective view of an  
electrical connector showing our new design;

FIG. 2 is a front elevational view thereof;

FIG. 3 is a rear elevational view thereof;

FIG. 4 is a left side elevational view thereof;

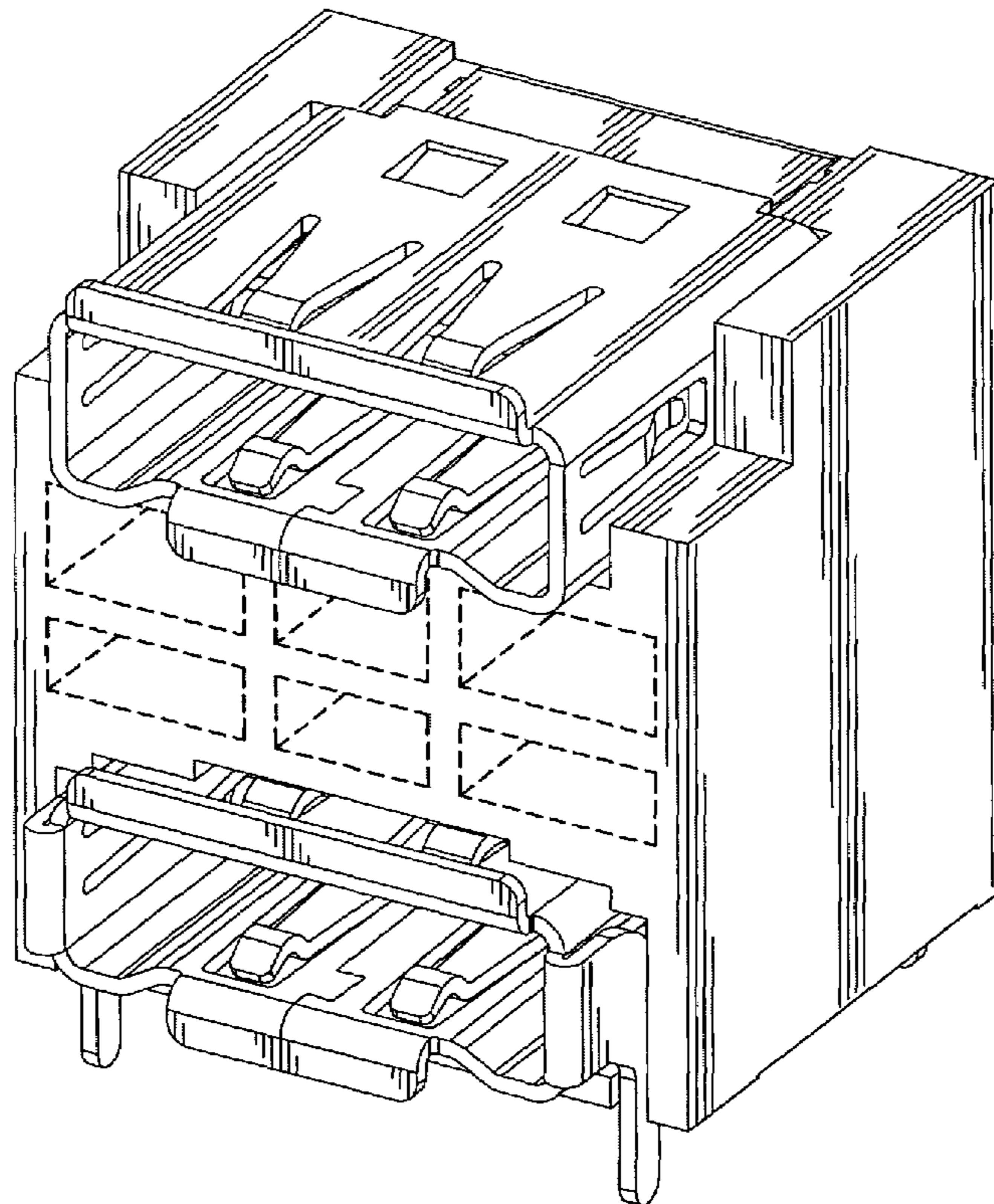
FIG. 5 is a right side elevational view thereof;

FIG. 6 is a top plan view thereof; and,

FIG. 7 is a bottom plan view thereof.

The broken line portion of the figure drawings is included to  
show unclaimed subject matter only and forms no part of the  
claimed design.

**1 Claim, 7 Drawing Sheets**



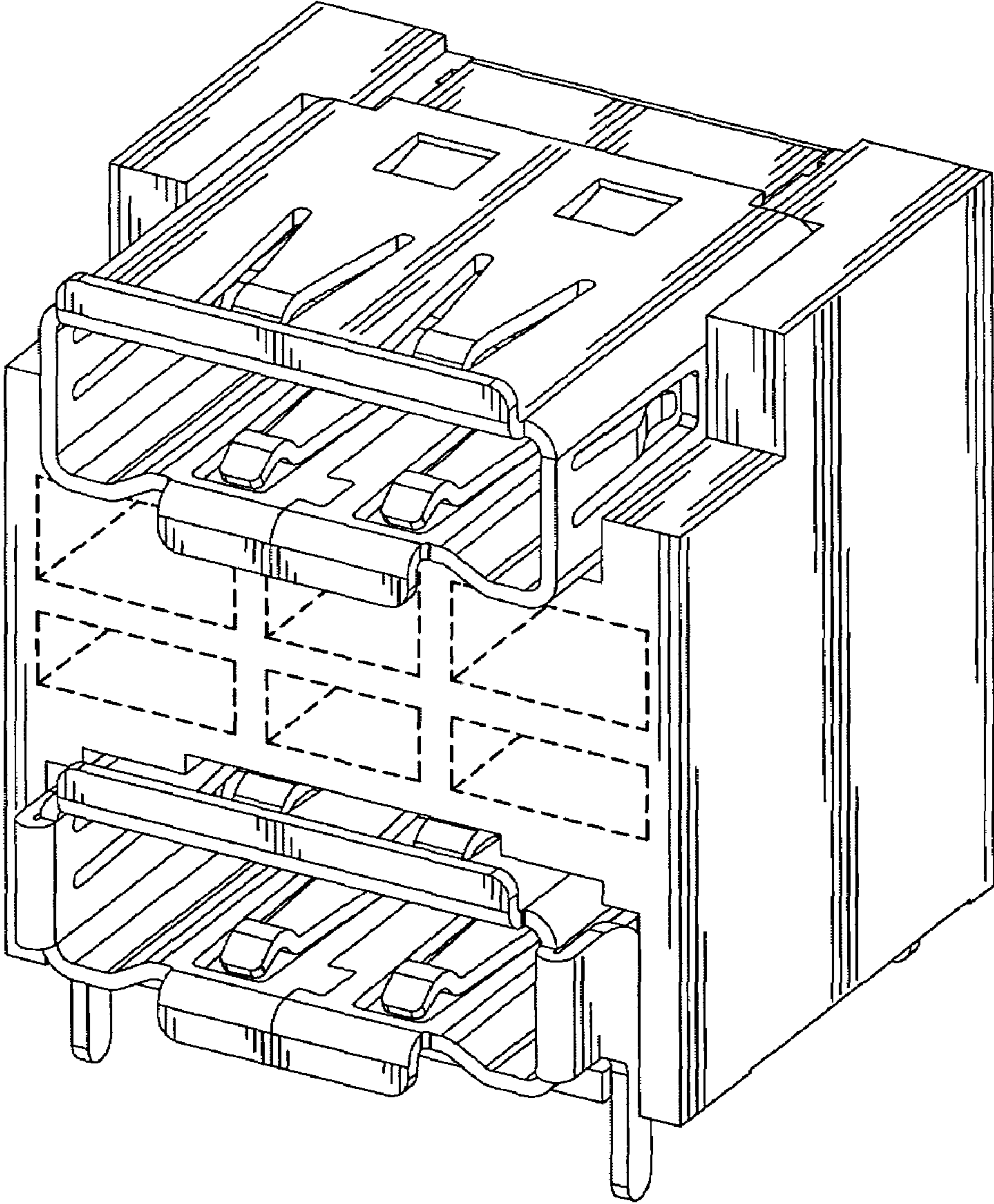


FIG. 1

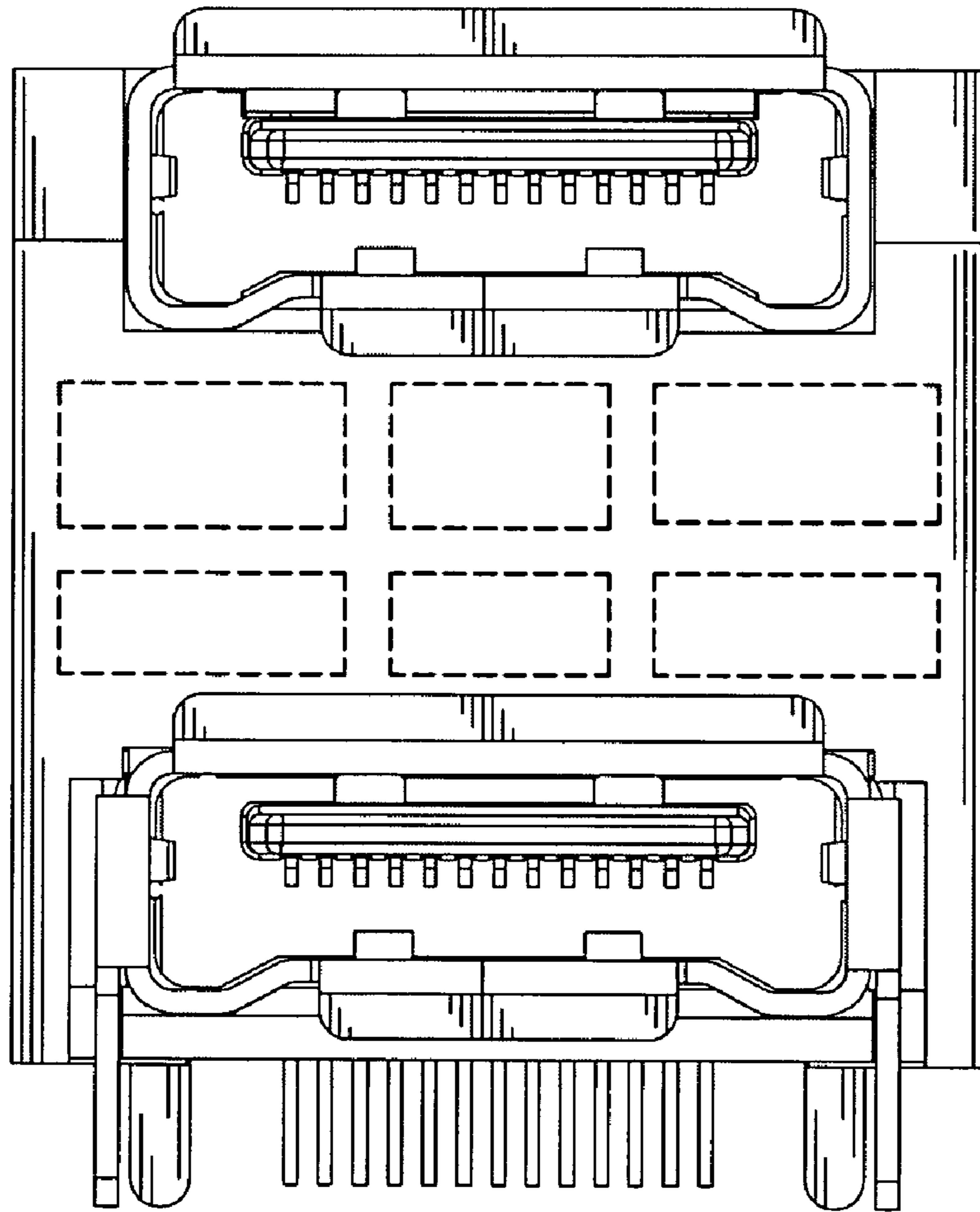


FIG. 2

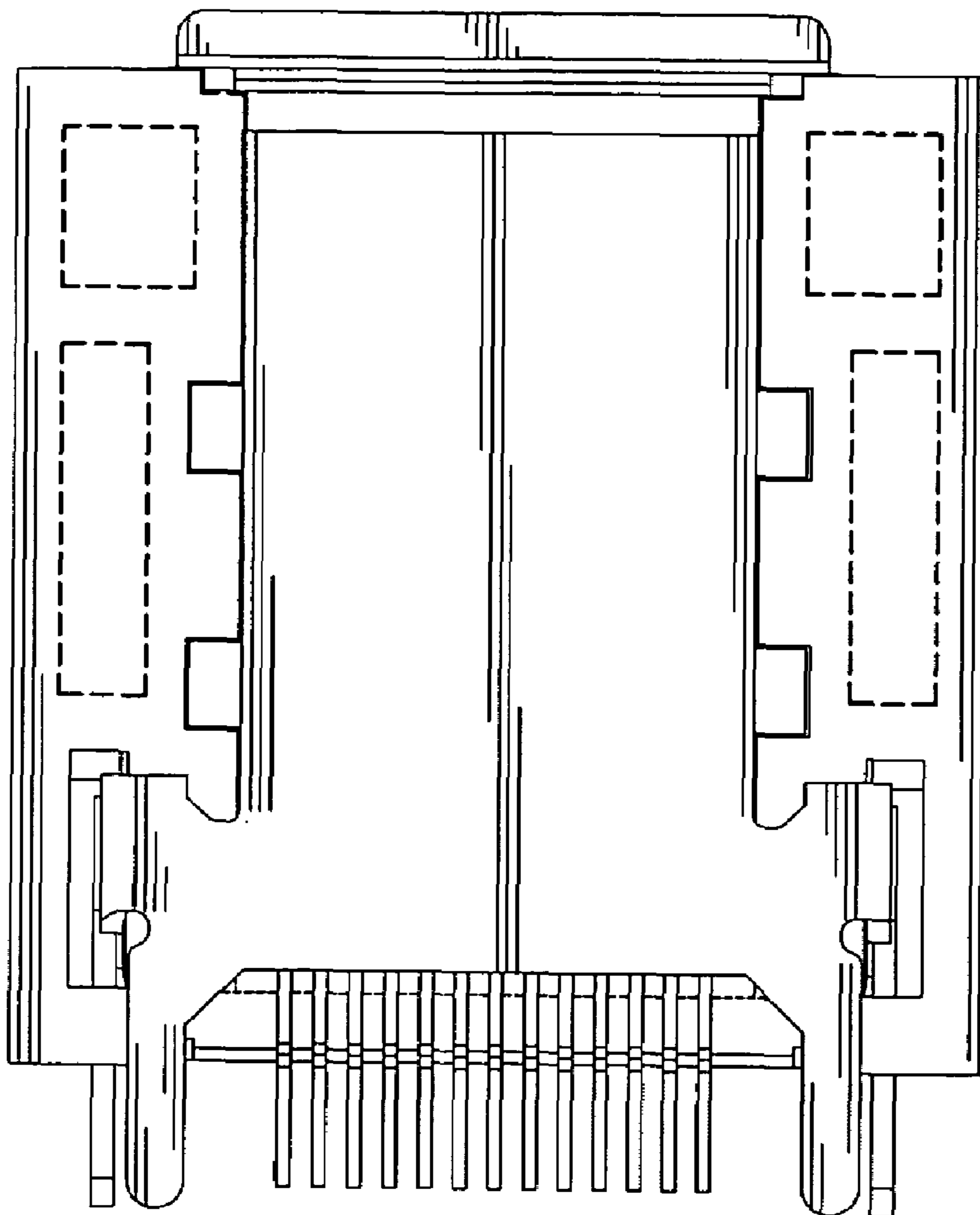


FIG. 3

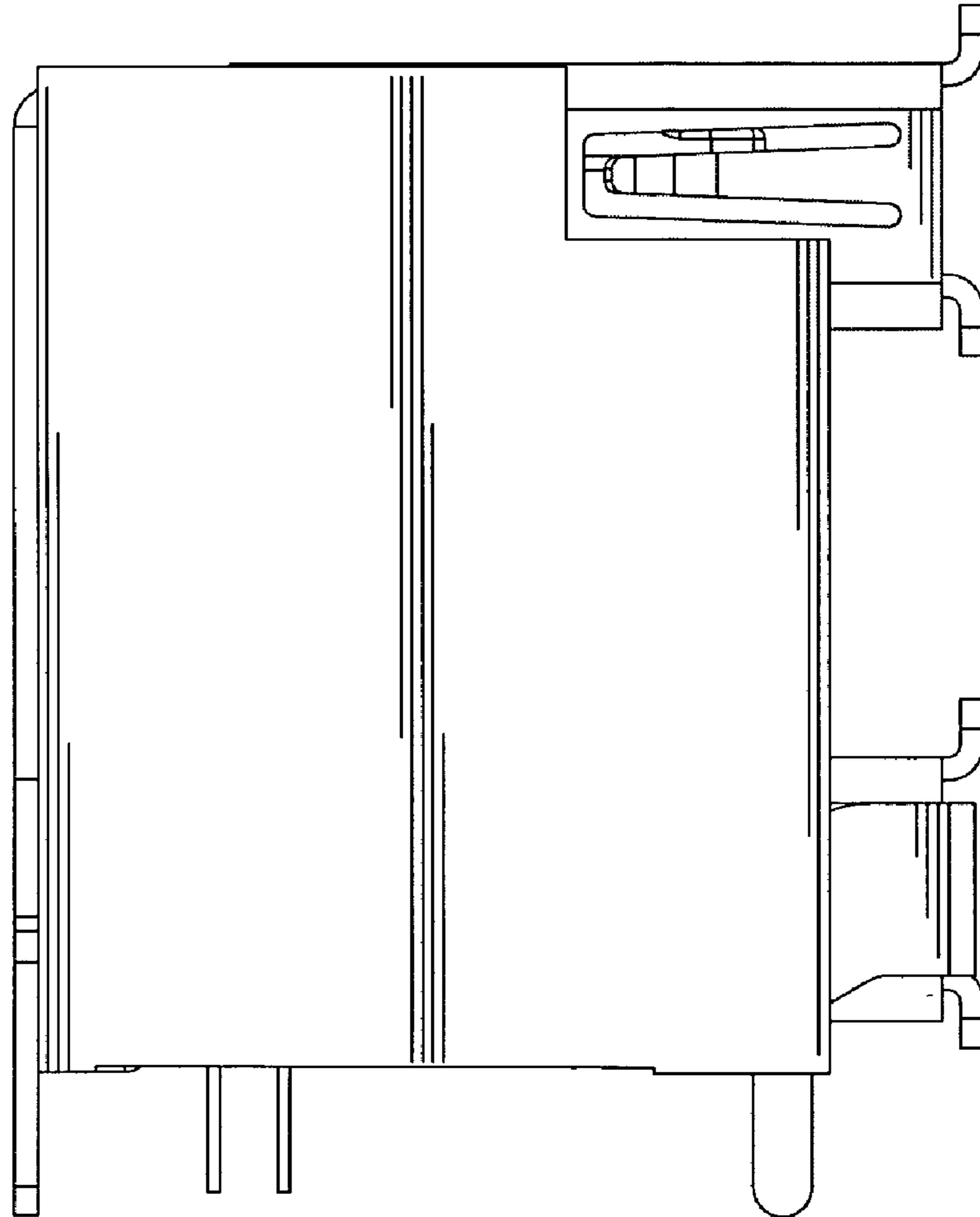


FIG. 4

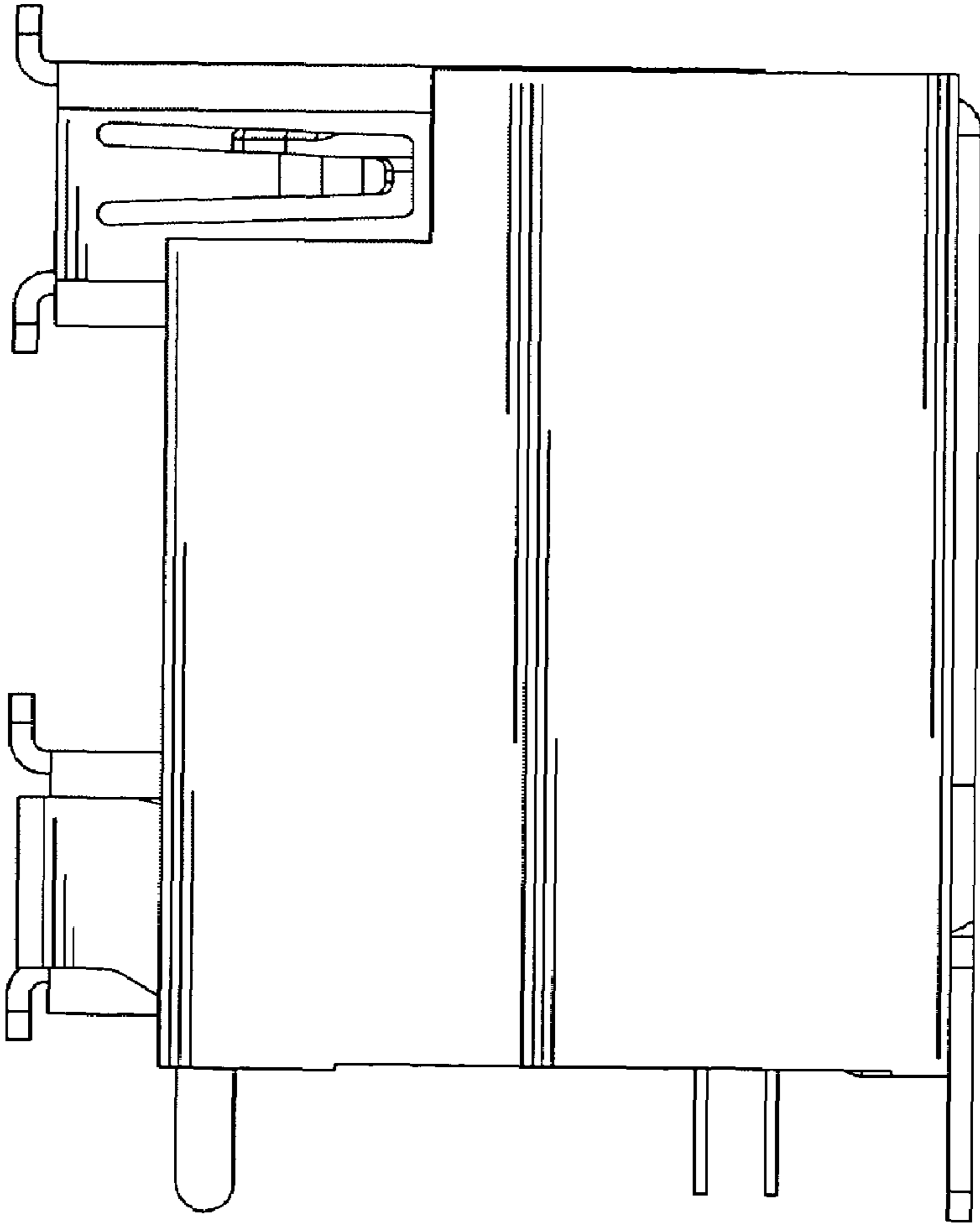


FIG. 5

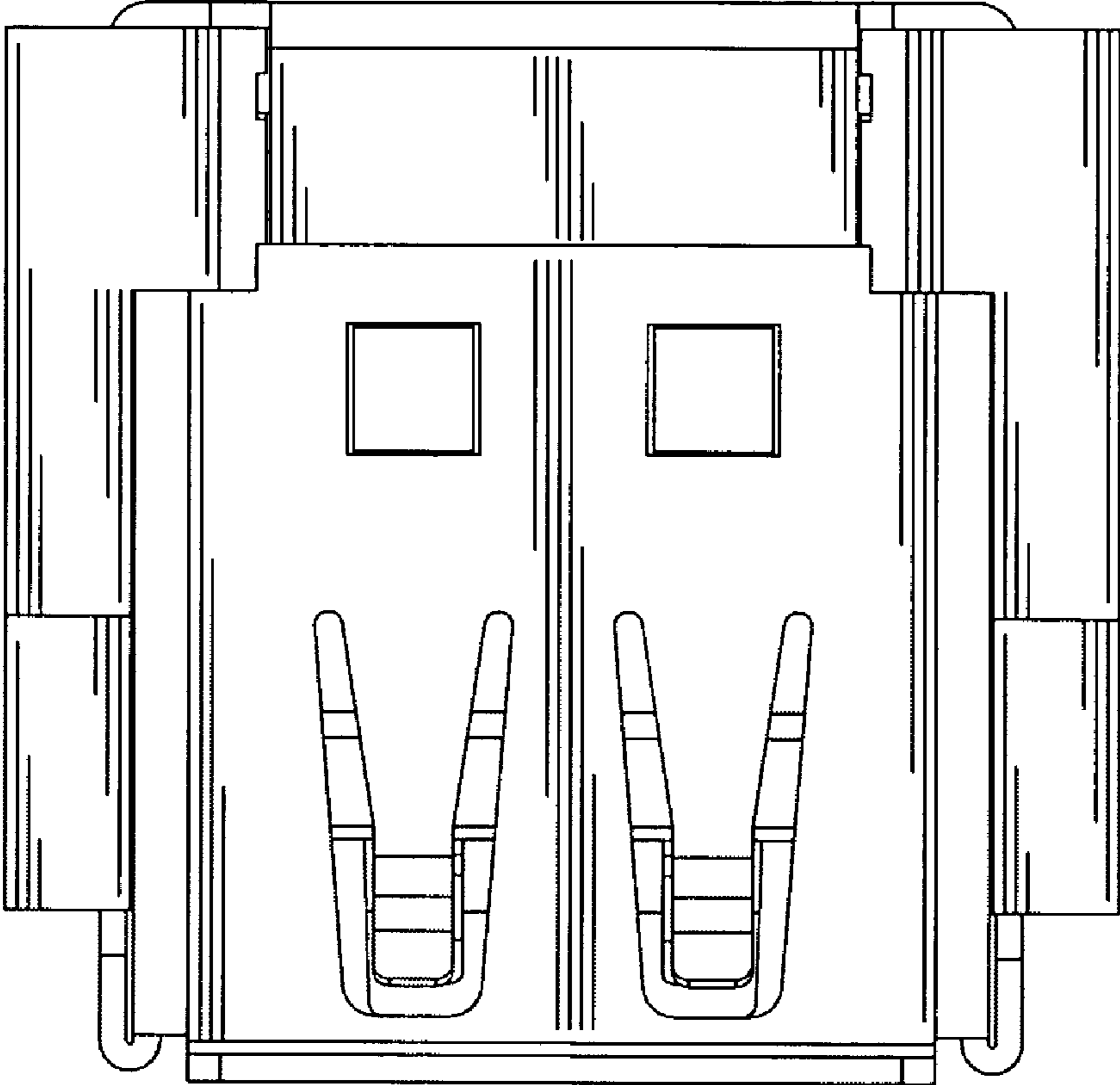


FIG. 6

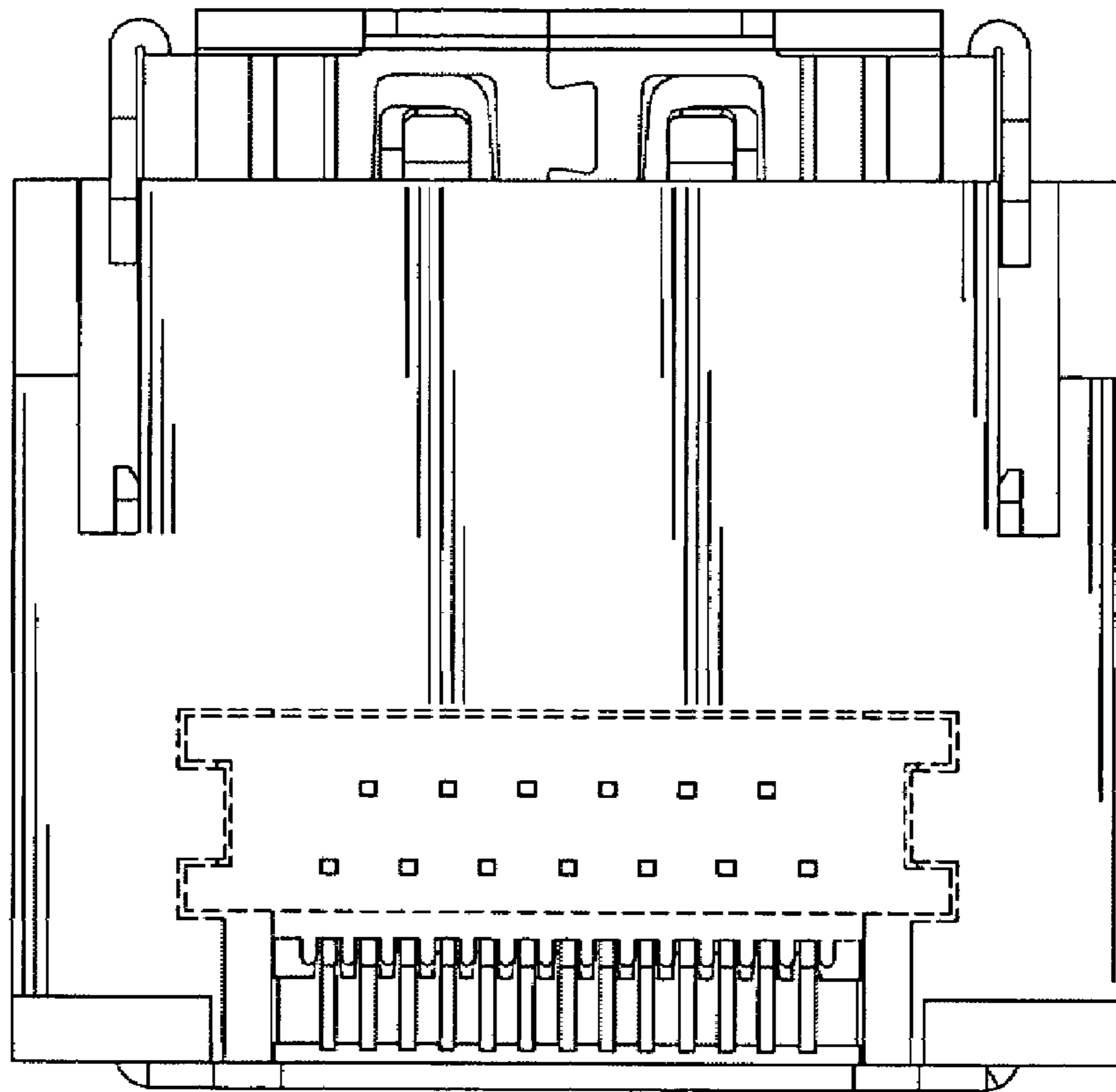


FIG. 7