



US00D611909S

(12) **United States Design Patent**
Wu et al.

(10) **Patent No.:** **US D611,909 S**
(45) **Date of Patent:** **** Mar. 16, 2010**

(54) **CONNECTOR CAPABLE OF CONNECTING A PLURALITY OF PLUGS**

D482,659 S * 11/2003 Zhang D13/147
D520,953 S * 5/2006 Moriwake et al. D13/147
D537,792 S * 3/2007 Imai D13/147
D585,829 S * 2/2009 Ko et al. D13/147

(75) Inventors: **Chang-Ying Wu**, Taipei (TW);
Chan-Jung Kang, Taipei County (TW)

* cited by examiner

(73) Assignee: **Micro-Star Int'l Co., Ltd.**, Jung-He,
Taipei Hsien (TW)

Primary Examiner—Daniel D Bui
(74) *Attorney, Agent, or Firm*—Winston Hsu

(**) Term: **14 Years**

(57) **CLAIM**

(21) Appl. No.: **29/331,966**

The ornamental design for a connector capable of connecting a plurality of plugs, as shown and described.

(22) Filed: **Feb. 6, 2009**

(30) **Foreign Application Priority Data**

DESCRIPTION

Dec. 24, 2008 (TW) 97223151

FIG. 1 is a front view of a connector capable of connecting a plurality of plugs showing our new design;

(51) **LOC (9) Cl.** **13-03**

FIG. 2 is a rear view thereof;

(52) **U.S. Cl.** **D13/147**

FIG. 3 is a left view thereof;

(58) **Field of Classification Search** D13/133,
D13/146–147, 154, 184; 439/79, 108, 378,
439/540.1, 541.5, 607–610, 660, 680, 883,
439/891, 894

FIG. 4 is a right view thereof;

FIG. 5 is a top plan view thereof;

See application file for complete search history.

FIG. 6 is a bottom plan view thereof; and,

FIG. 7 is a perspective view thereof.

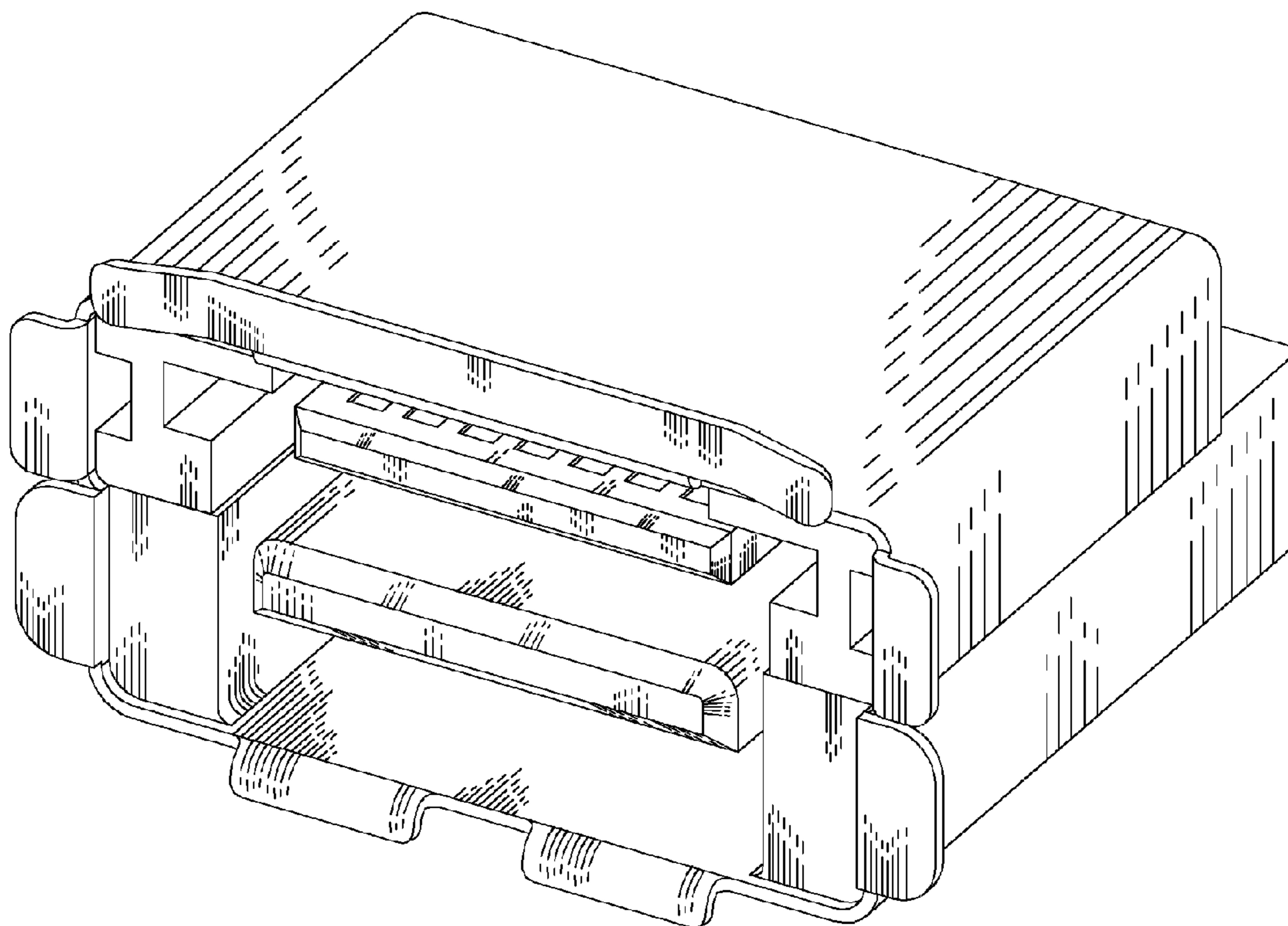
(56) **References Cited**

The broken line portion of the figure drawings is included to show unclaimed subject matter only and forms no part of the claimed design.

U.S. PATENT DOCUMENTS

D431,025 S * 9/2000 Lok D13/147
D446,774 S * 8/2001 Zhu et al. D13/147

1 Claim, 7 Drawing Sheets



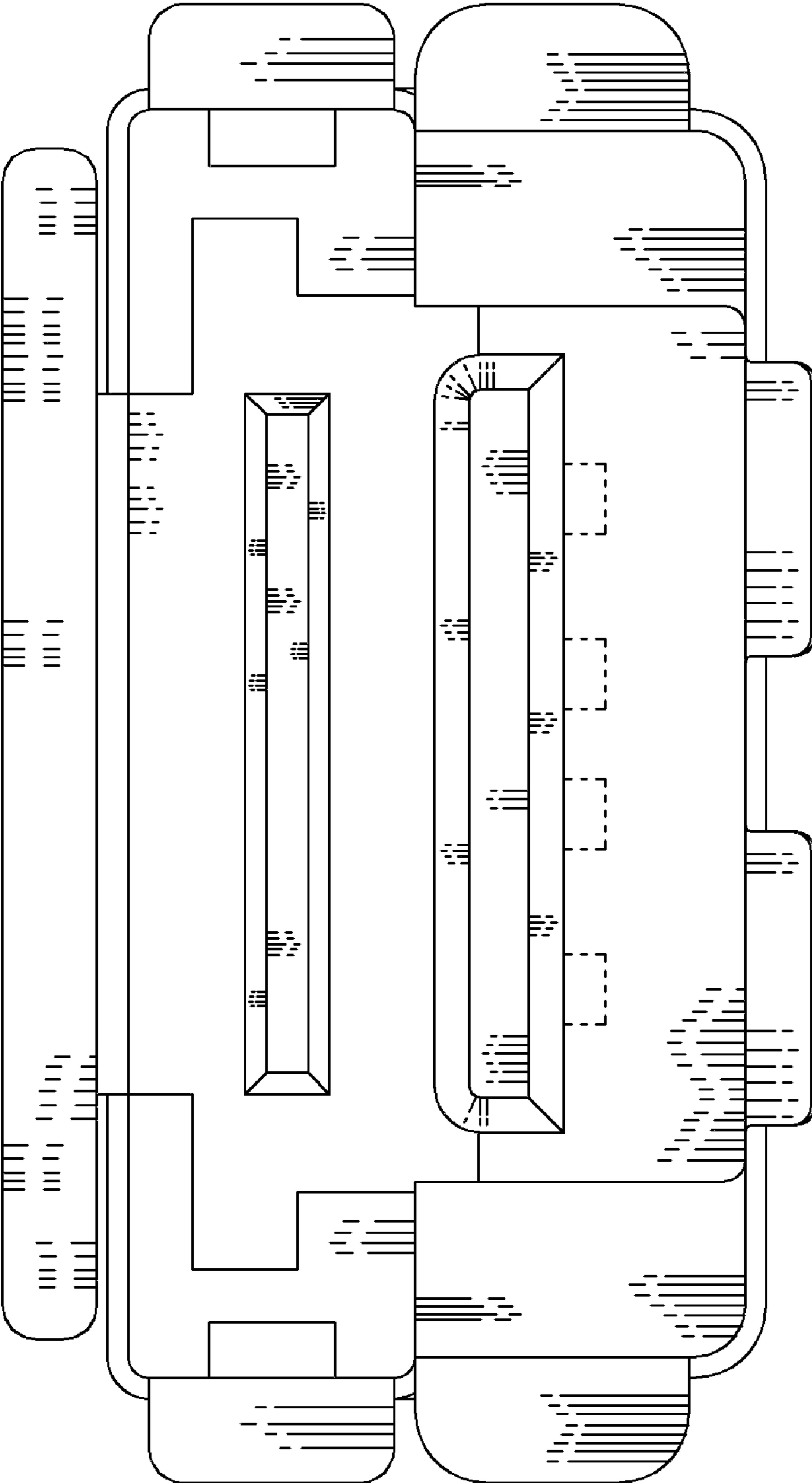


FIG. 1

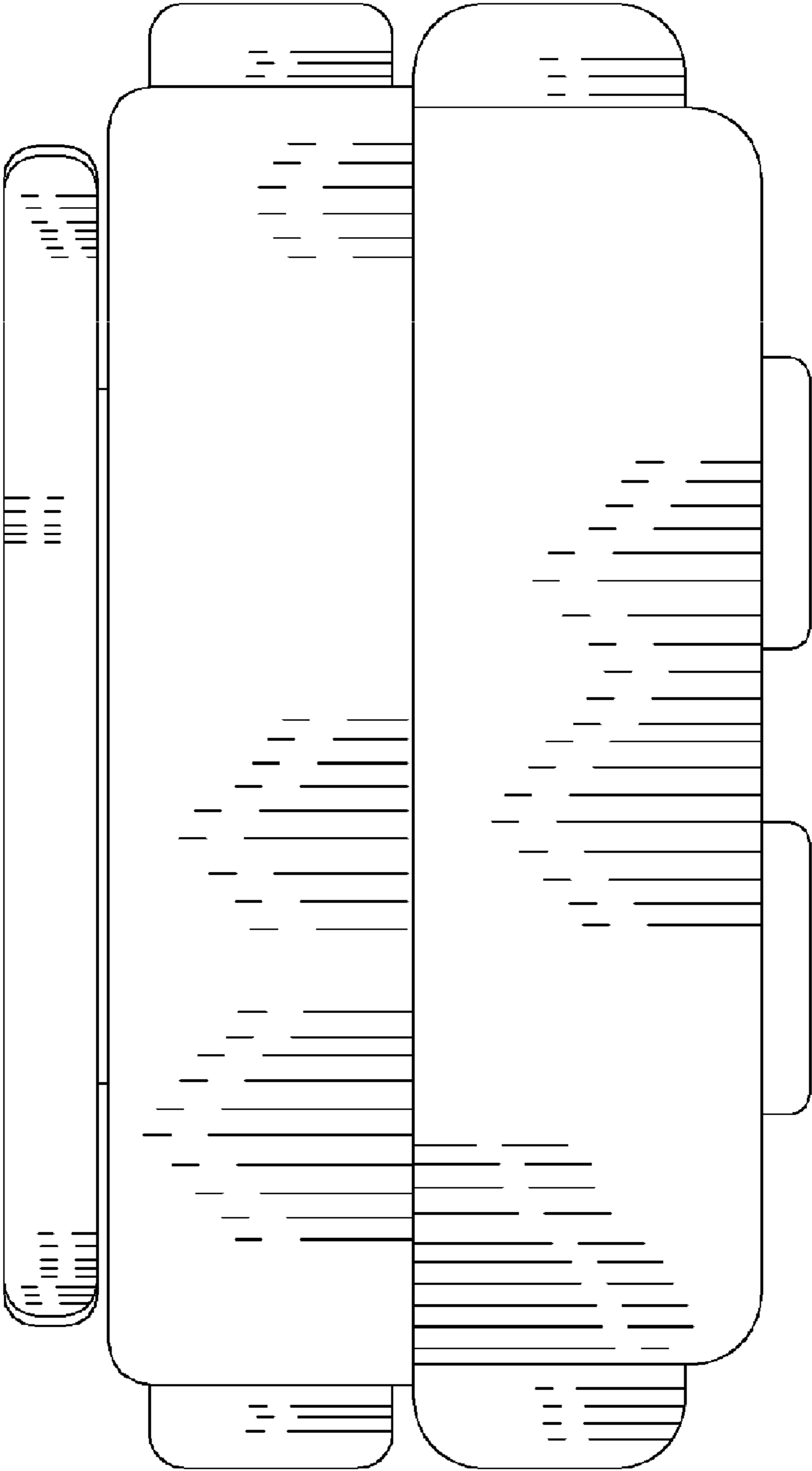


FIG. 2

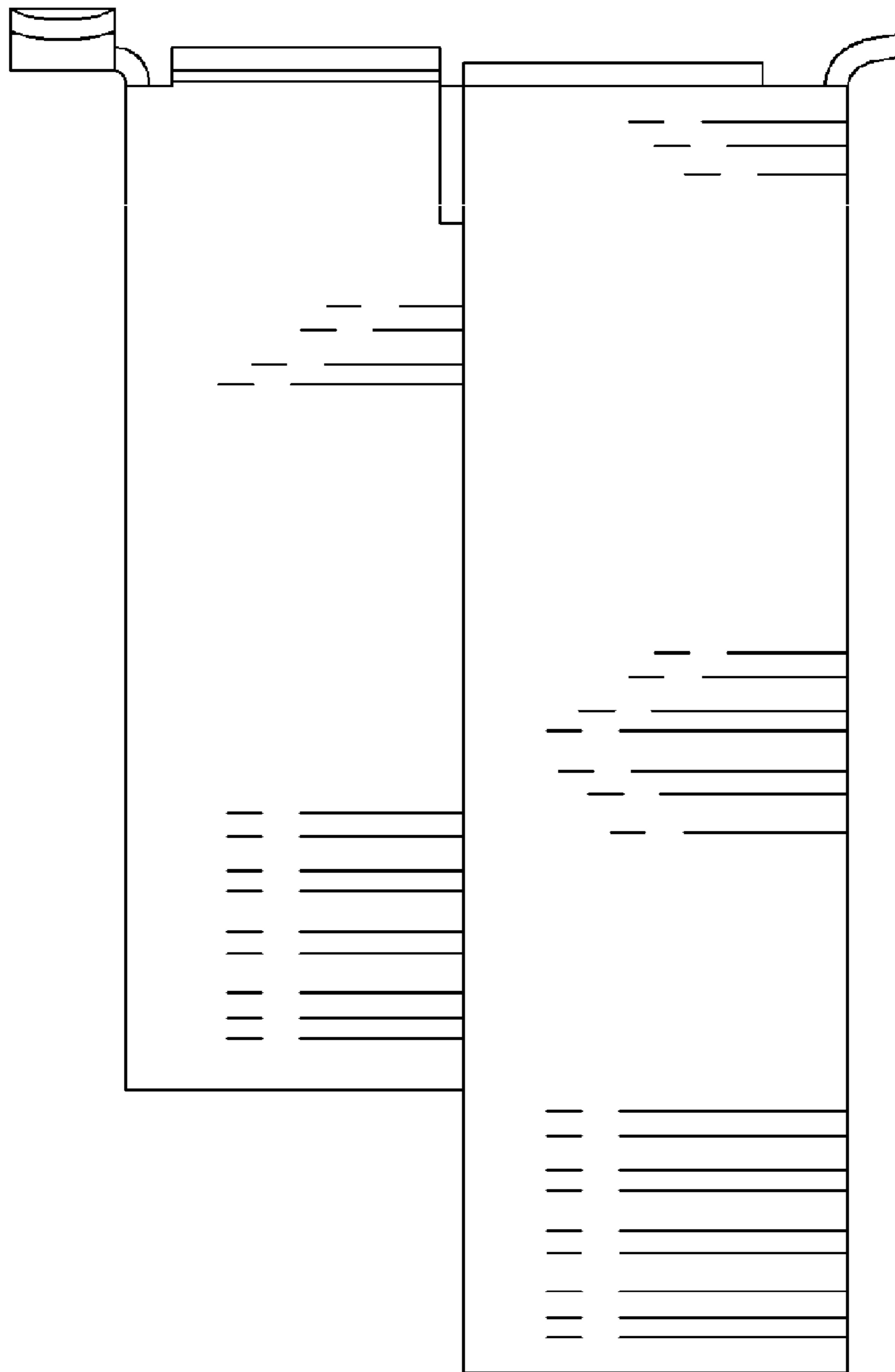


FIG. 3

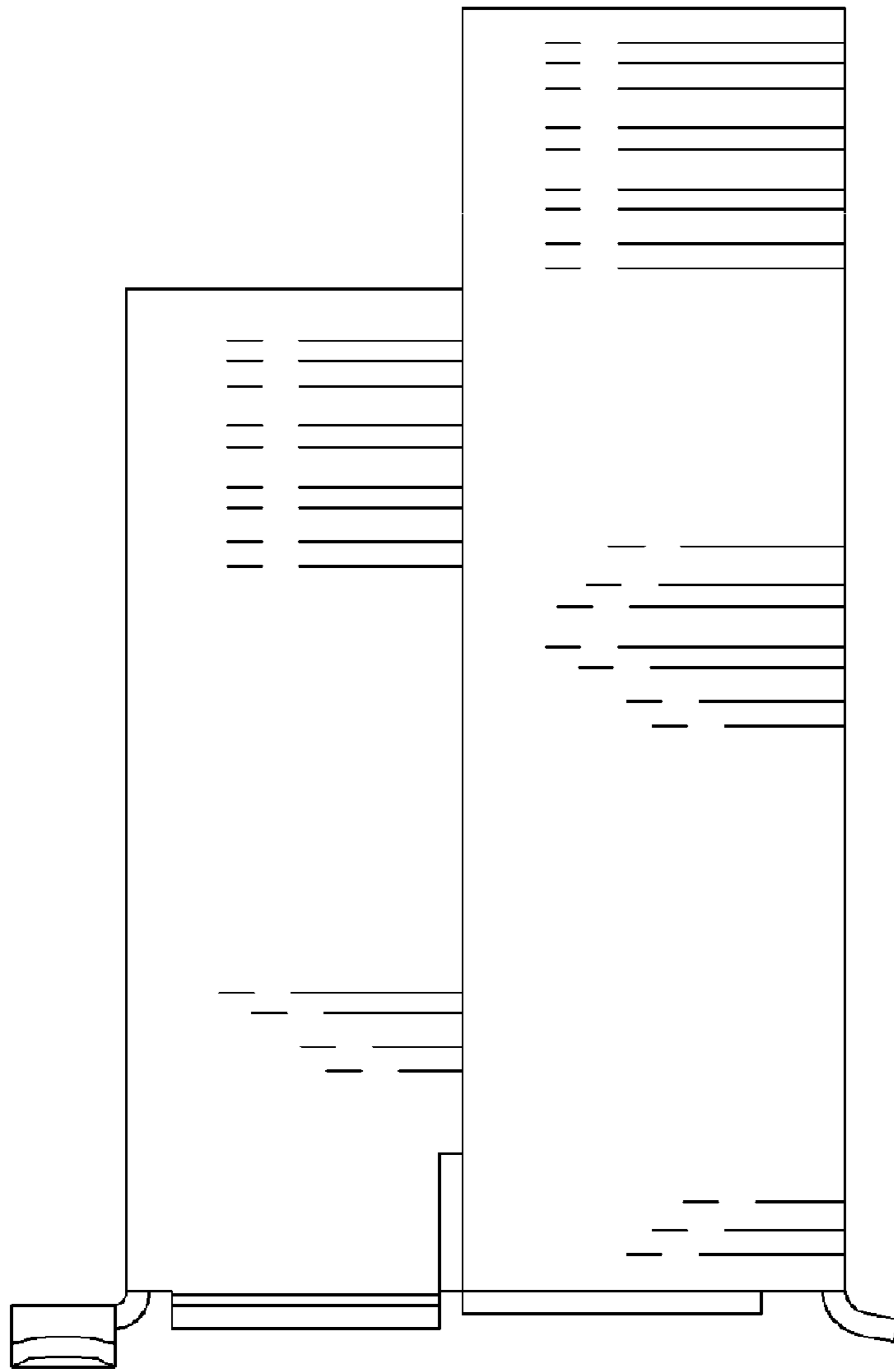


FIG. 4

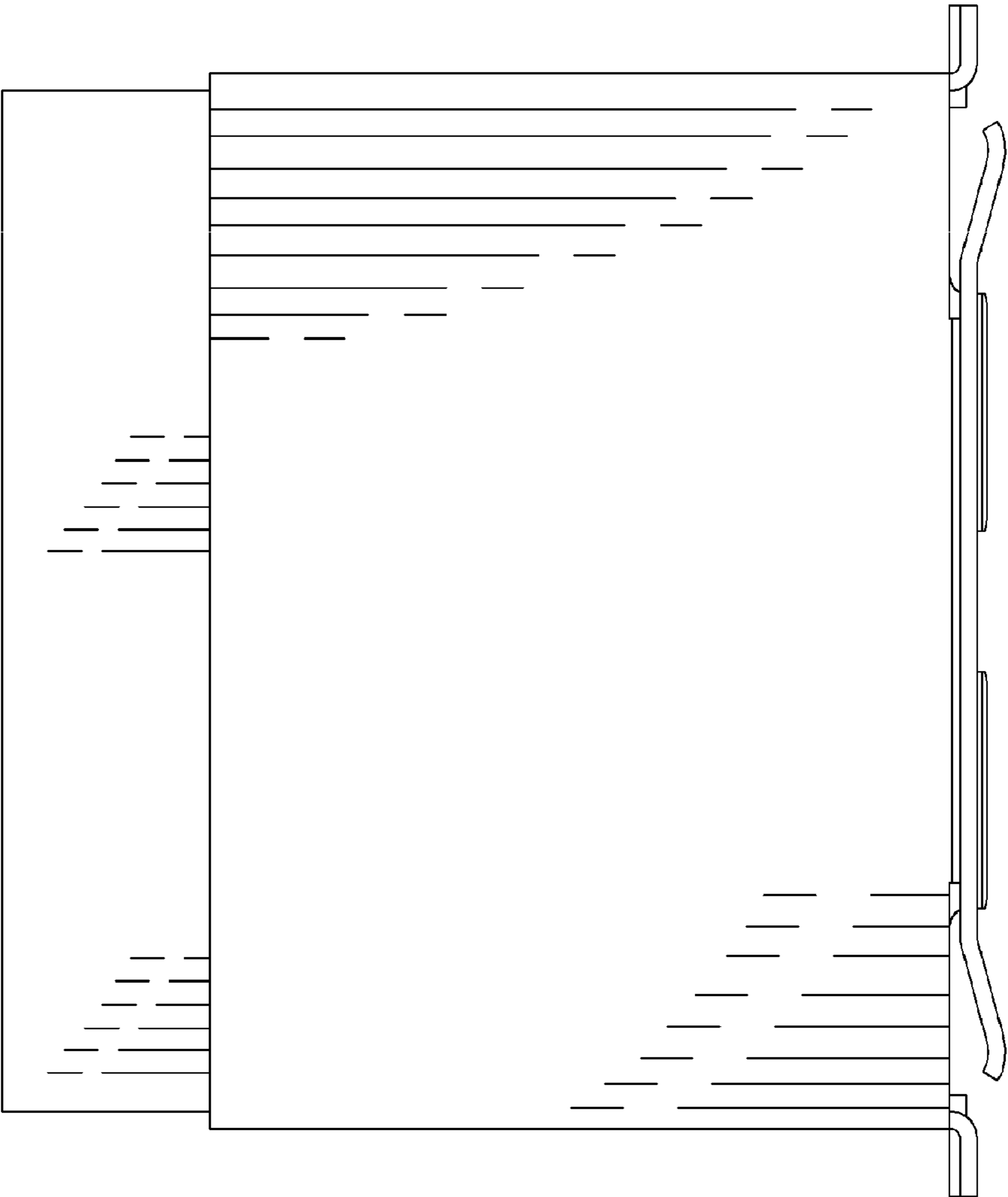


FIG. 5

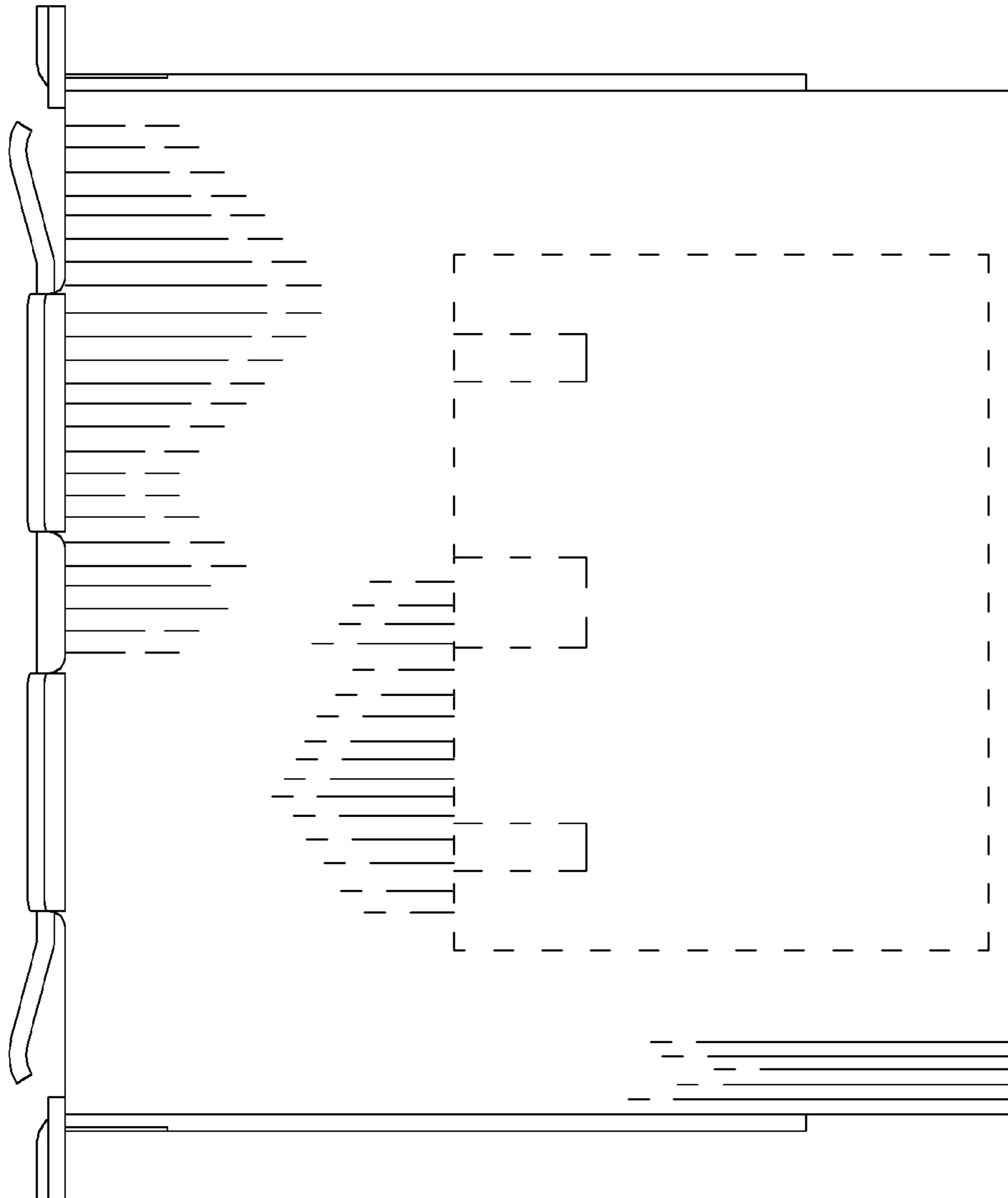


FIG. 6

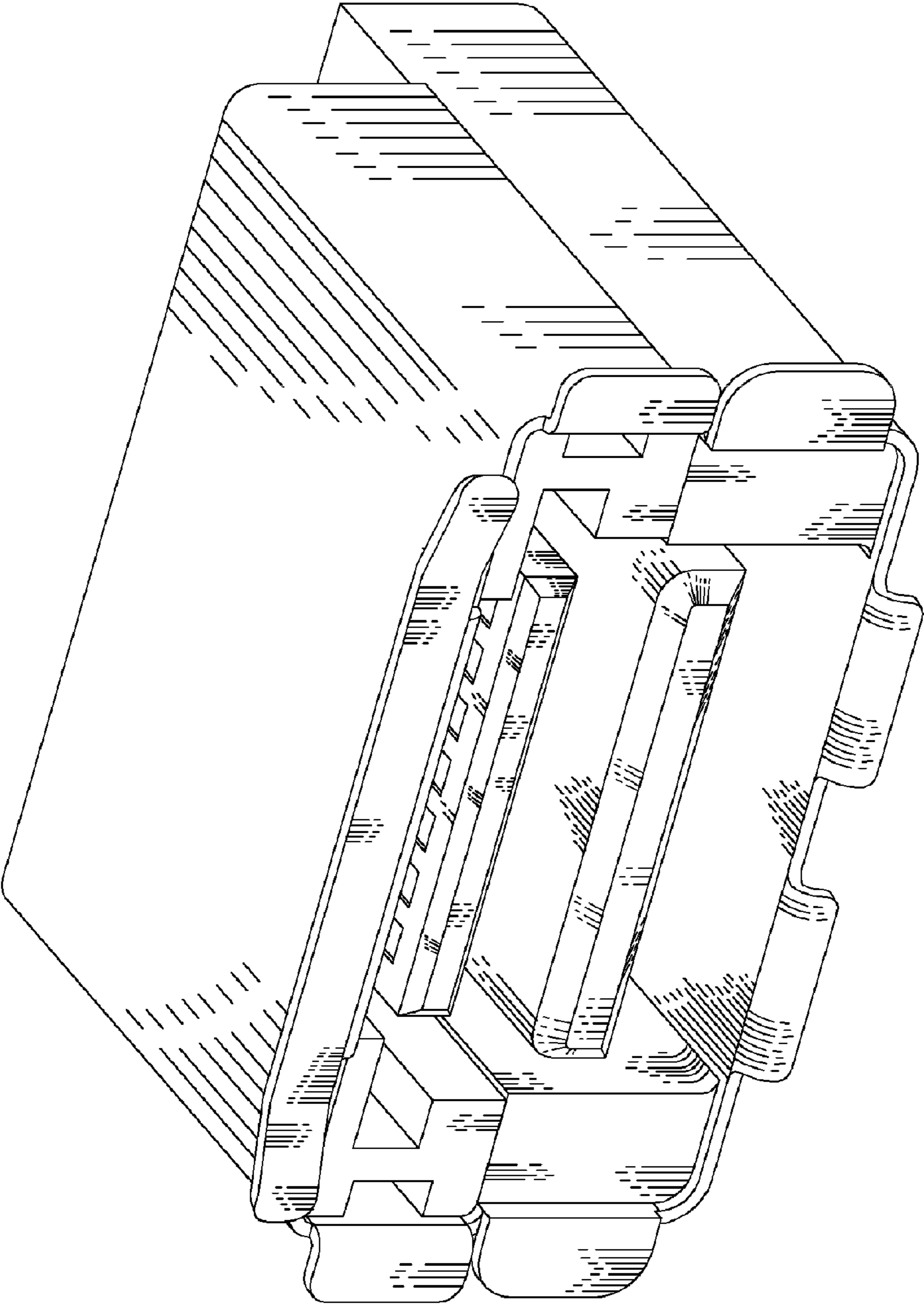


FIG. 7