



US00D611908S

(12) **United States Design Patent**
Takada et al.

(10) **Patent No.:** **US D611,908 S**
(45) **Date of Patent:** **** Mar. 16, 2010**

(54) **ELECTRICAL CONNECTOR**

(75) Inventors: **Toshiyuki Takada**, Tokyo (JP);
Masakazu Nagata, Tokyo (JP)

(73) Assignee: **Hirose Electric Co., Ltd.**, Tokyo (JP)

(**) Term: **14 Years**

(21) Appl. No.: **29/311,454**

(22) Filed: **Mar. 19, 2009**

(30) **Foreign Application Priority Data**

Dec. 2, 2008 (JP) 2008-030854

(51) **LOC (9) Cl.** **13-03**

(52) **U.S. Cl.** **D13/147**

(58) **Field of Classification Search** D13/120,
D13/146-147, 154, 184, 199; 174/16.3;
257/697, 727; 361/769

See application file for complete search history.

(56) **References Cited**

U.S. PATENT DOCUMENTS

D404,711 S * 1/1999 Lai et al. D13/147
7,137,832 B2 * 11/2006 Mongold et al. 439/108
D540,258 S * 4/2007 Peng et al. D13/147

D541,748 S * 5/2007 Peng et al D13/147
7,390,200 B2 * 6/2008 Shuey et al. 439/79
2007/0215517 A1 * 9/2007 Holler 206/725

* cited by examiner

Primary Examiner—Daniel D Bui

(74) *Attorney, Agent, or Firm*—Kubotera & Associates, LLC

(57) **CLAIM**

The ornamental design for an electrical connector, as shown and described.

DESCRIPTION

FIG. 1 is a perspective view of an electrical connector showing our new design;

FIG. 2 is front view thereof;

FIG. 3 is a rear view thereof;

FIG. 4 is a right side view thereof;

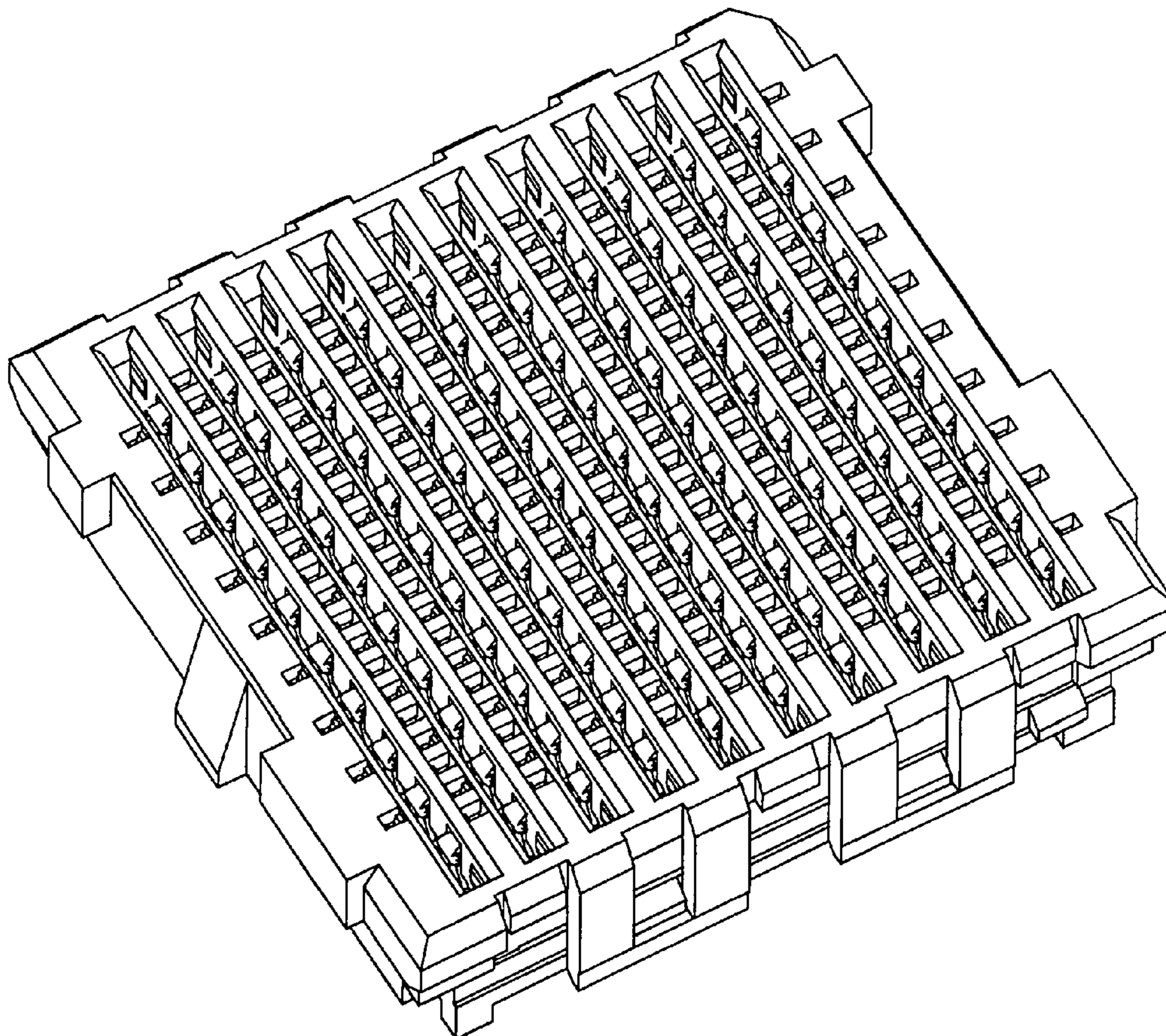
FIG. 5 is a left side view thereof;

FIG. 6 is a plan view thereof; and,

FIG. 7 is a bottom view thereof.

The broken lines in the drawings form no part of the design to be patented.

1 Claim, 7 Drawing Sheets



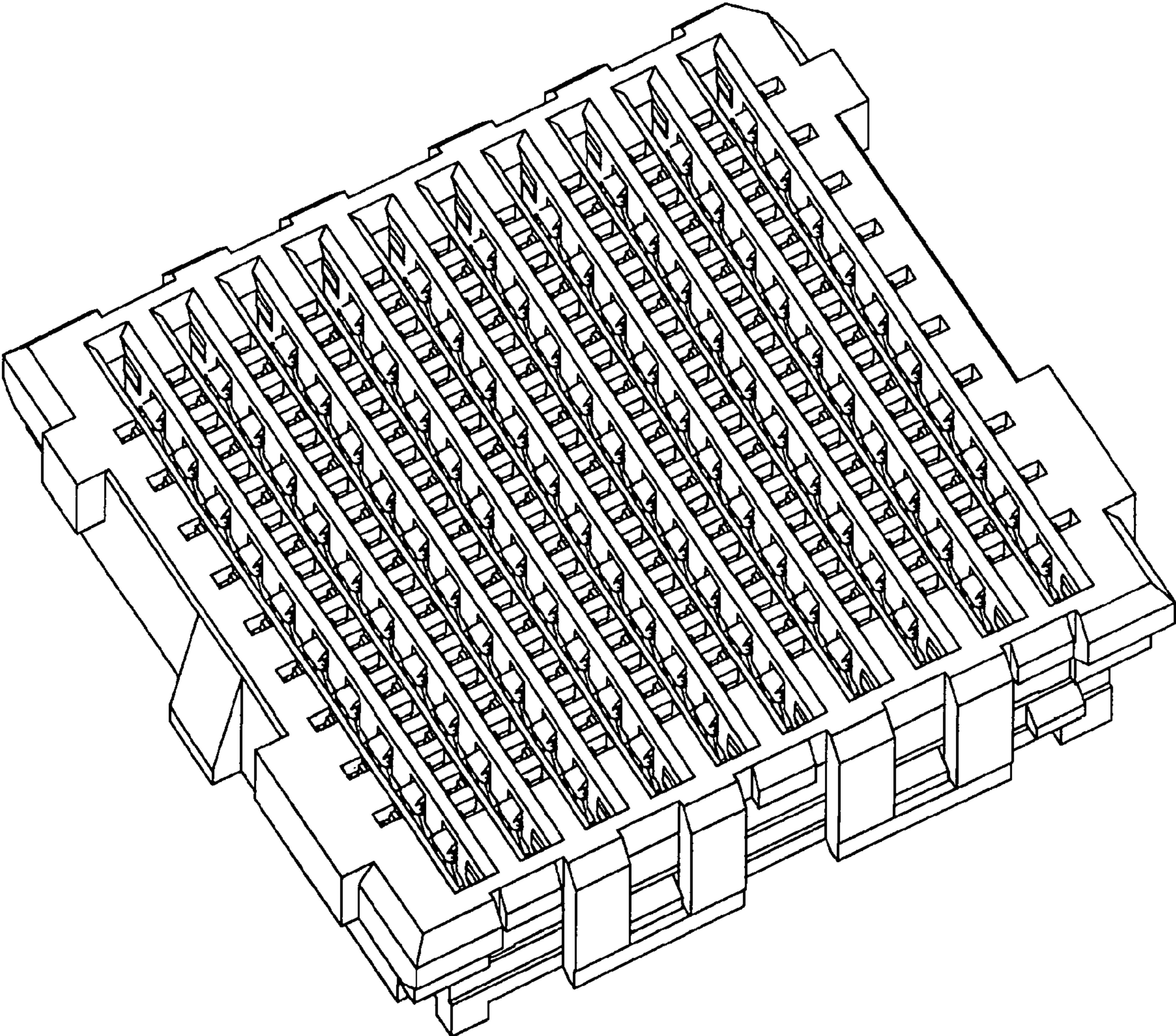


FIG. 1

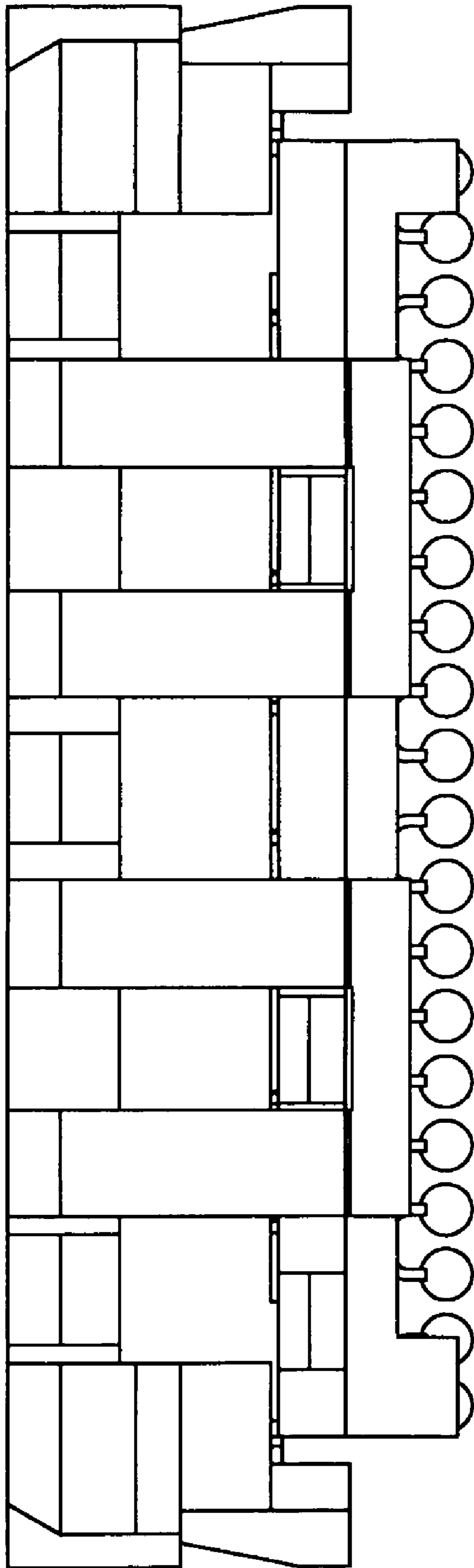


FIG. 2

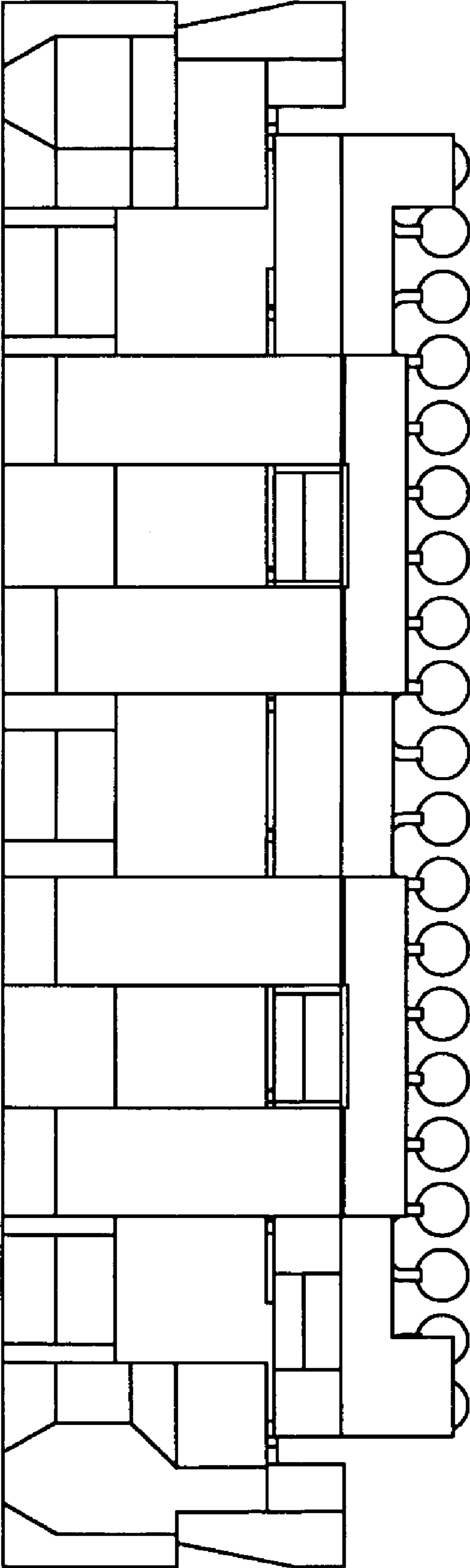


FIG. 3

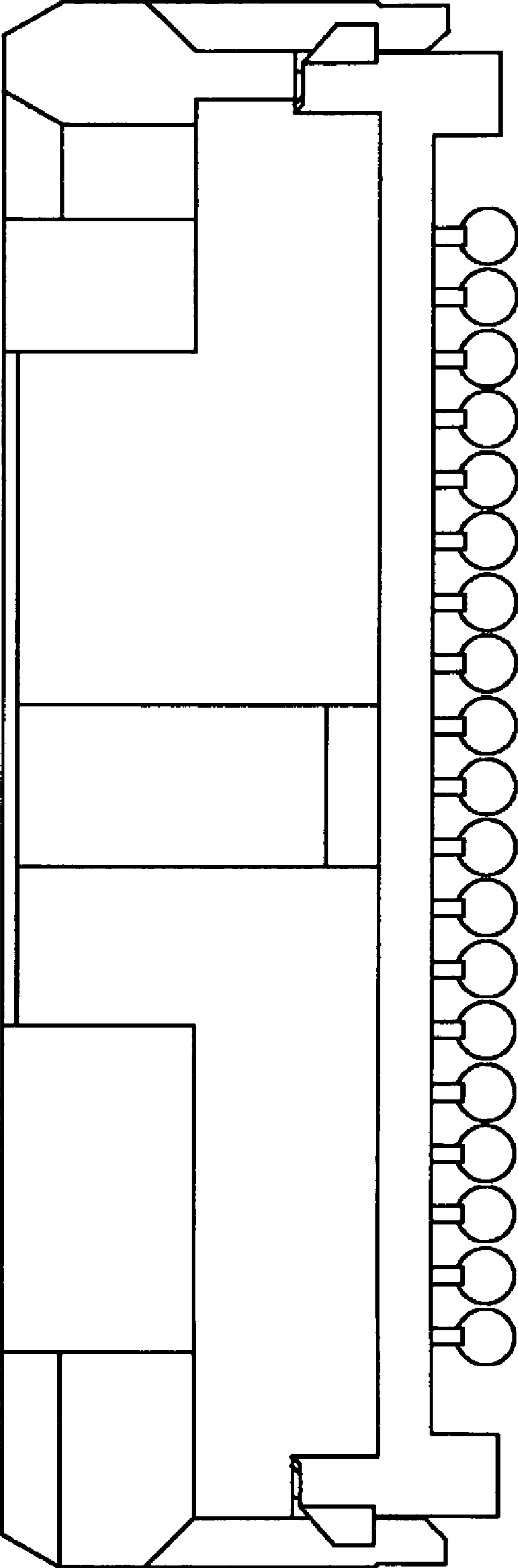


FIG. 4

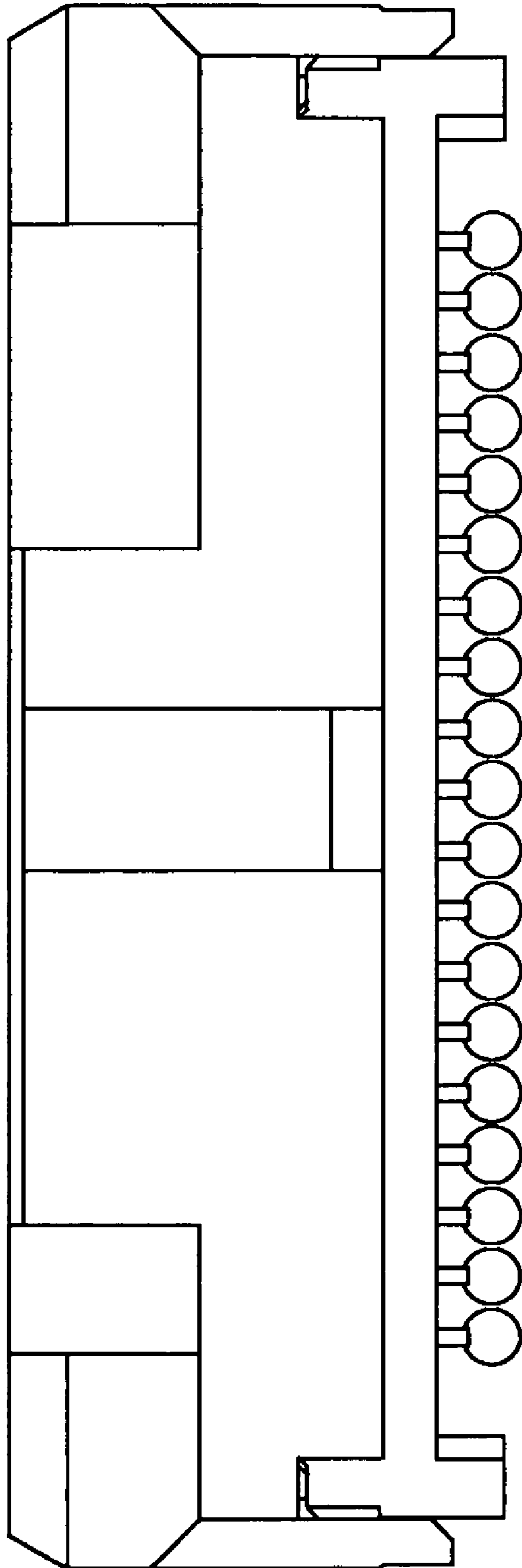


FIG. 5

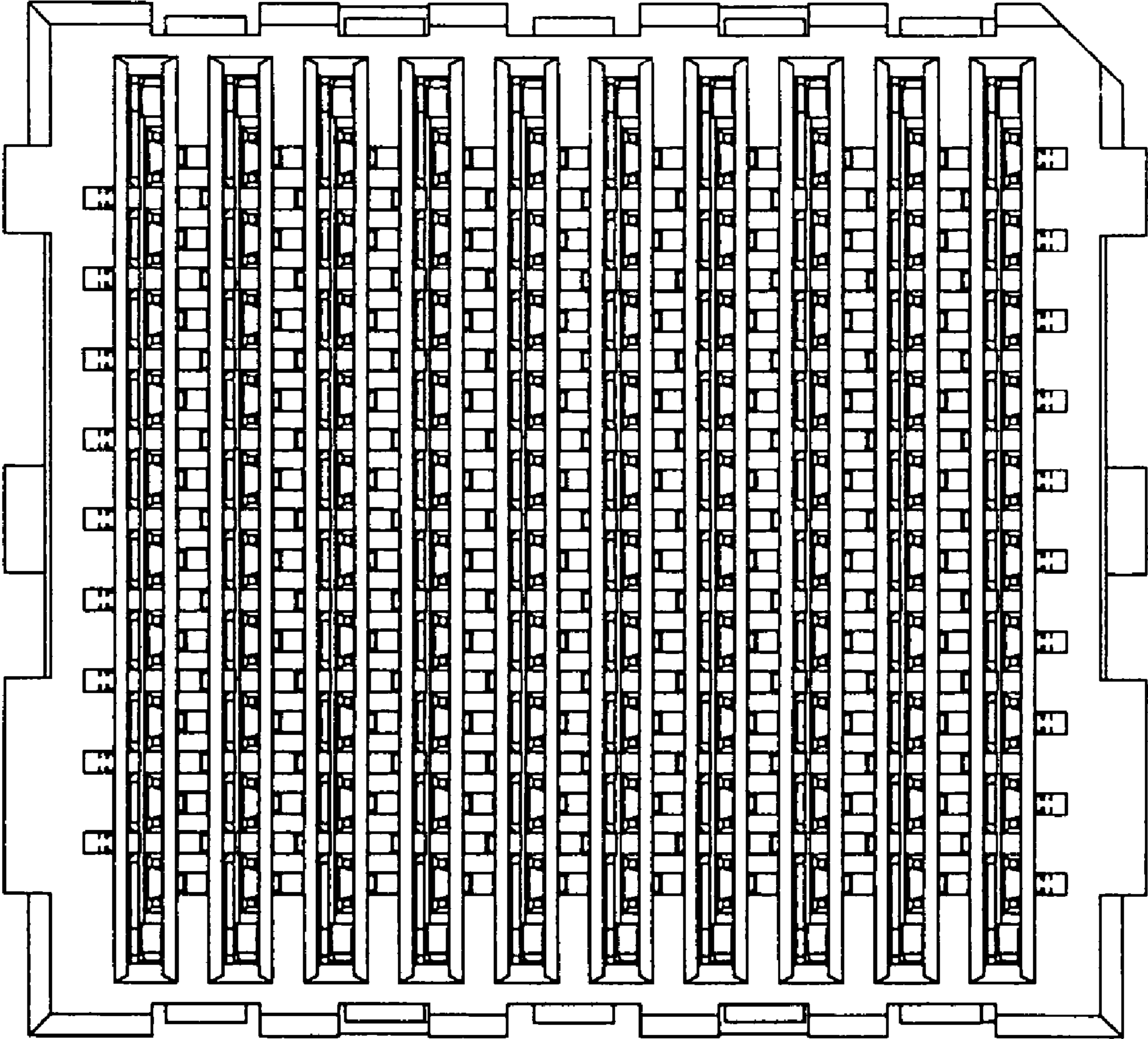


FIG. 6

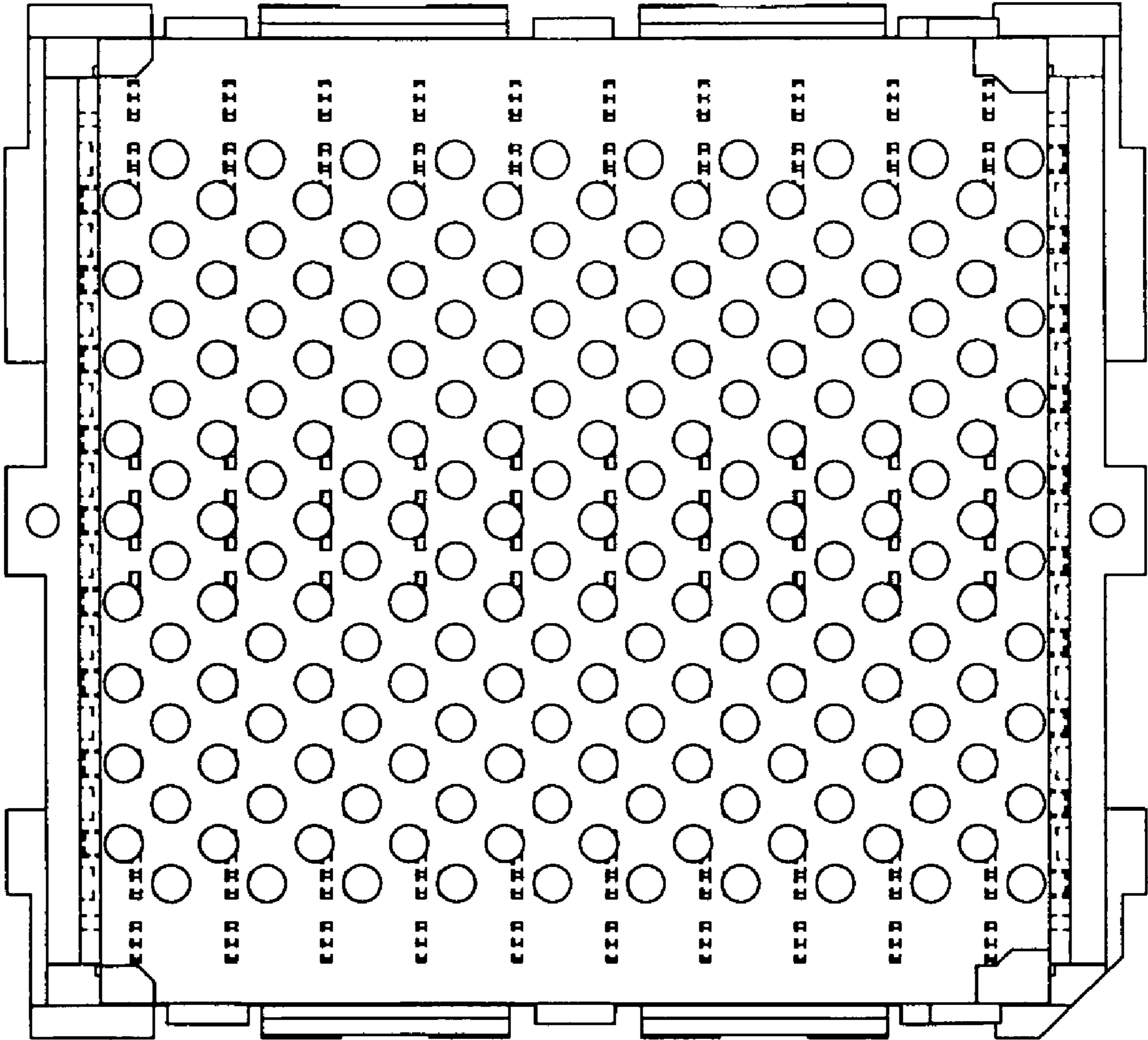


FIG. 7