



US00D611904S

(12) **United States Design Patent**
Mehnert et al.

(10) **Patent No.:** **US D611,904 S**
(45) **Date of Patent:** **** Mar. 16, 2010**

(54) **CONNECTOR**

(75) Inventors: **Wolfgang Mehnert**, Lindau (DE);
Gilbert Anzer, Friedrichshafen (DE)

(73) Assignee: **IFM Electronic GmbH**, Essen (DE)

(**) Term: **14 Years**

(21) Appl. No.: **29/274,146**

(22) Filed: **Mar. 30, 2007**

(51) **LOC (9) Cl.** **13-03**

(52) **U.S. Cl.** **D13/147**

(58) **Field of Classification Search** D13/133,
D13/146-147, 153, 154, 184, 352, 488, 489,
D13/490, 491, 582, 694, 854, 855
See application file for complete search history.

(56) **References Cited**

U.S. PATENT DOCUMENTS

3,953,099	A *	4/1976	Wilson	439/205
D447,121	S *	8/2001	Yim	D13/147
D453,736	S *	2/2002	Shimojyo	D13/147
D454,115	S *	3/2002	Zemba	D13/147
2009/0023329	A1 *	1/2009	Mehnert et al.	439/490

OTHER PUBLICATIONS

U.S. Appl. No. 29/274,144 to Mehnert et al., which was filed Mar. 30, 2007.

* cited by examiner

Primary Examiner—Daniel D Bui

(74) *Attorney, Agent, or Firm*—Greenblum & Bernstein, P.L.C.

(57) **CLAIM**

The ornamental design for a connector, as shown and described.

DESCRIPTION

FIG. 1 is a rear perspective view of a connector showing our new design;

FIG. 2 is a right side elevational view thereof;

FIG. 3 is a front elevational view thereof;

FIG. 4 is a bottom plan view thereof;

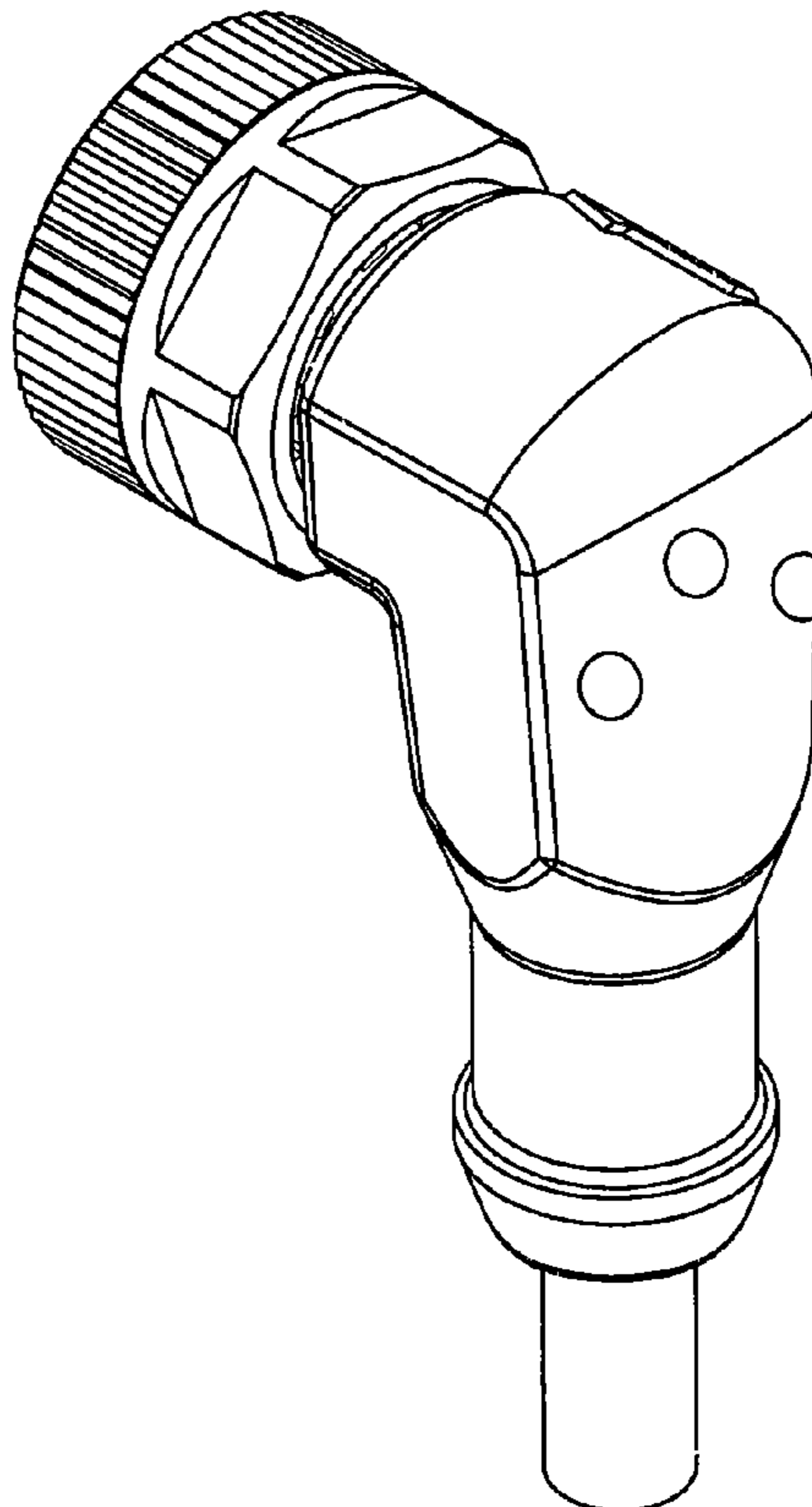
FIG. 5 is a left side elevational view thereof;

FIG. 6 is a top plan view thereof; and,

FIG. 7 is a rear elevational view thereof with the indicators emitting light.

The broken line portion of the figure drawings is included to show unclaimed subject matter only and forms no part of the claimed design.

1 Claim, 3 Drawing Sheets



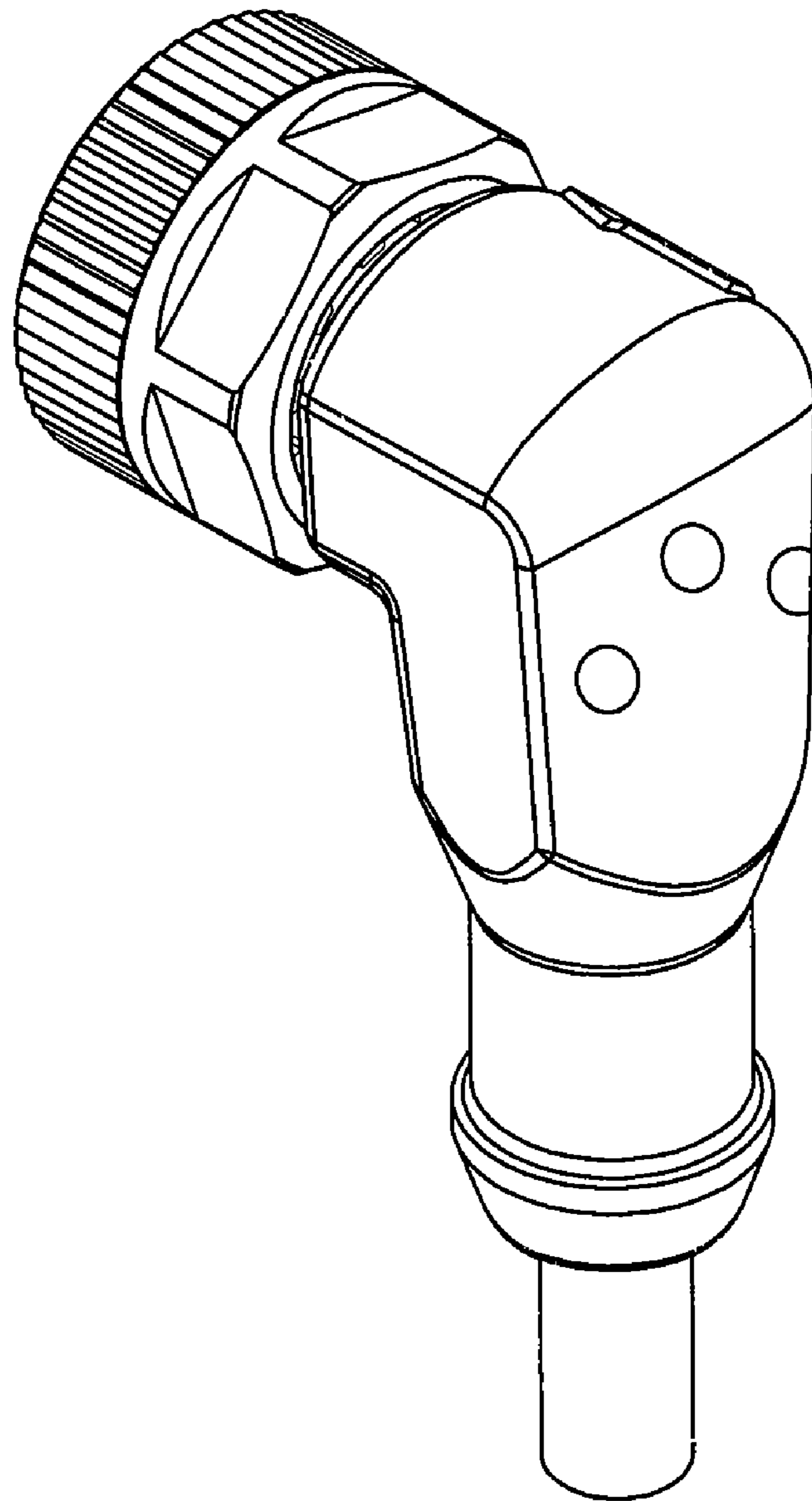


FIG. 1

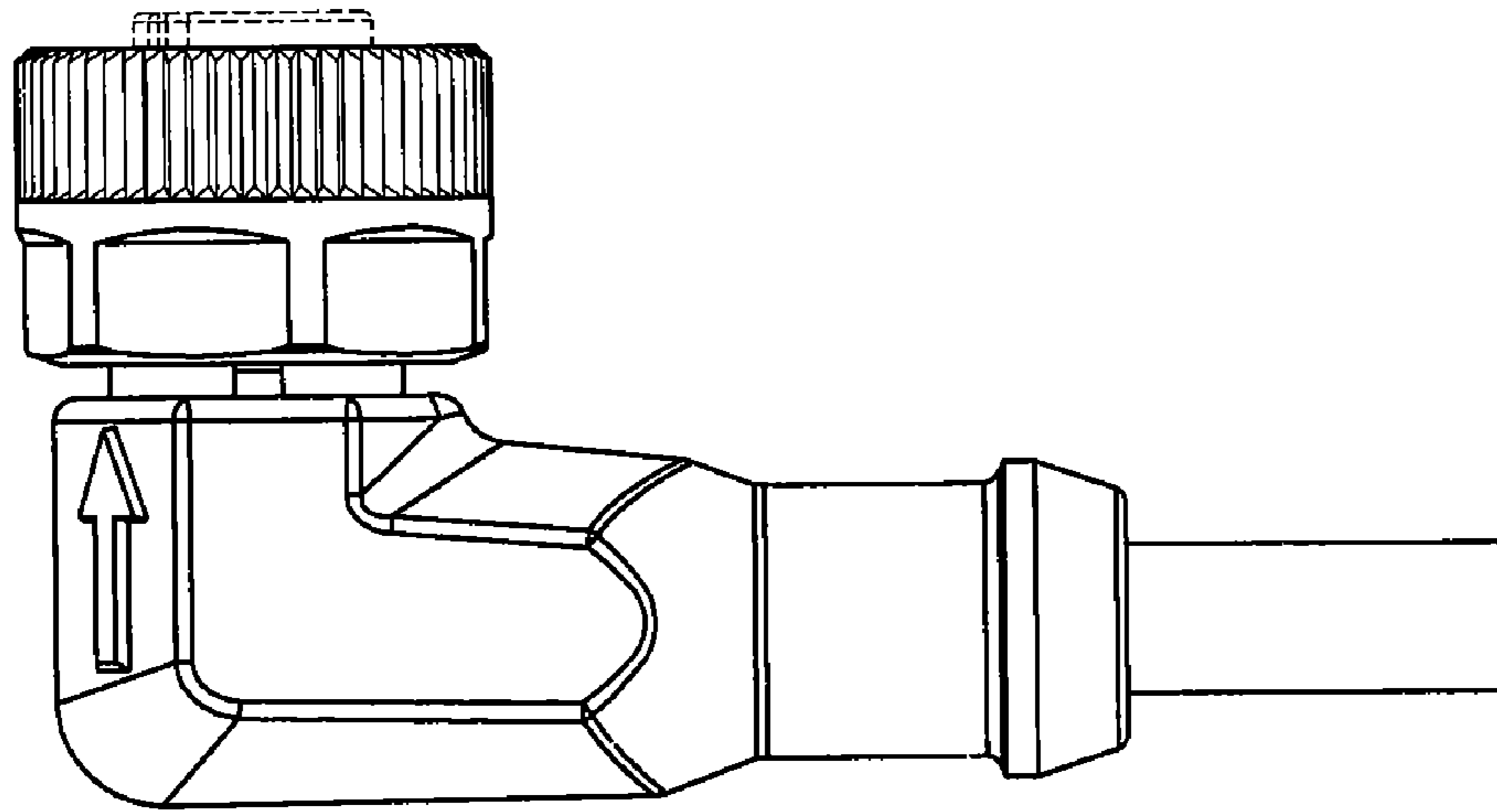


FIG. 2

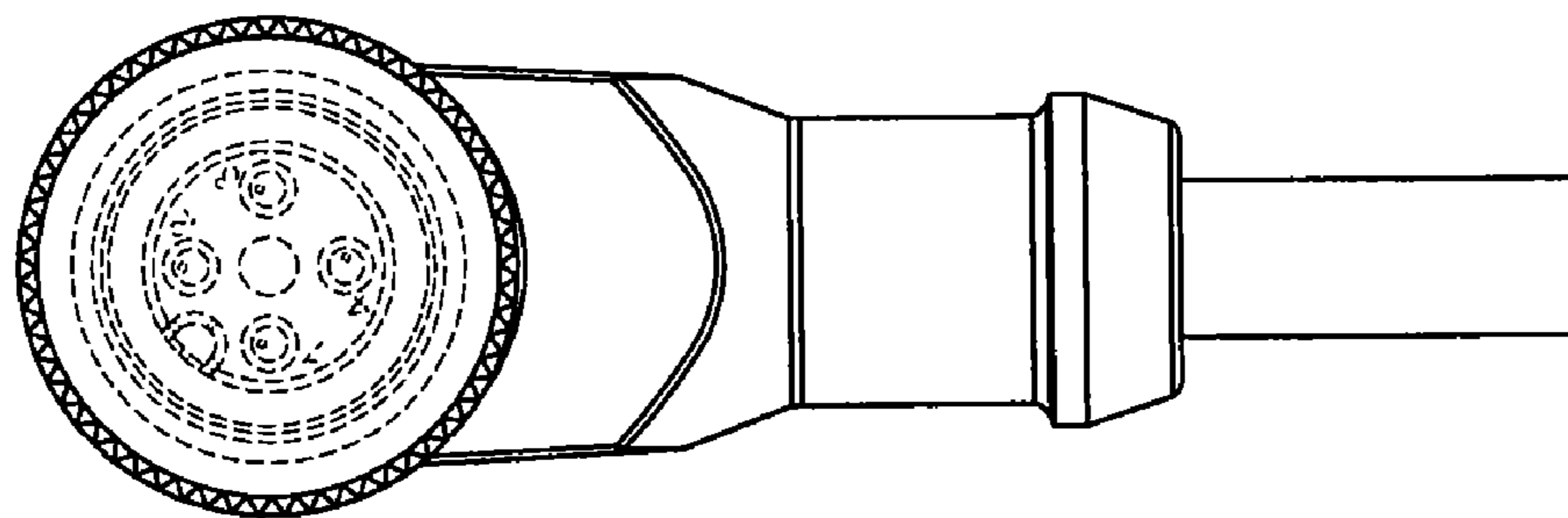


FIG. 3

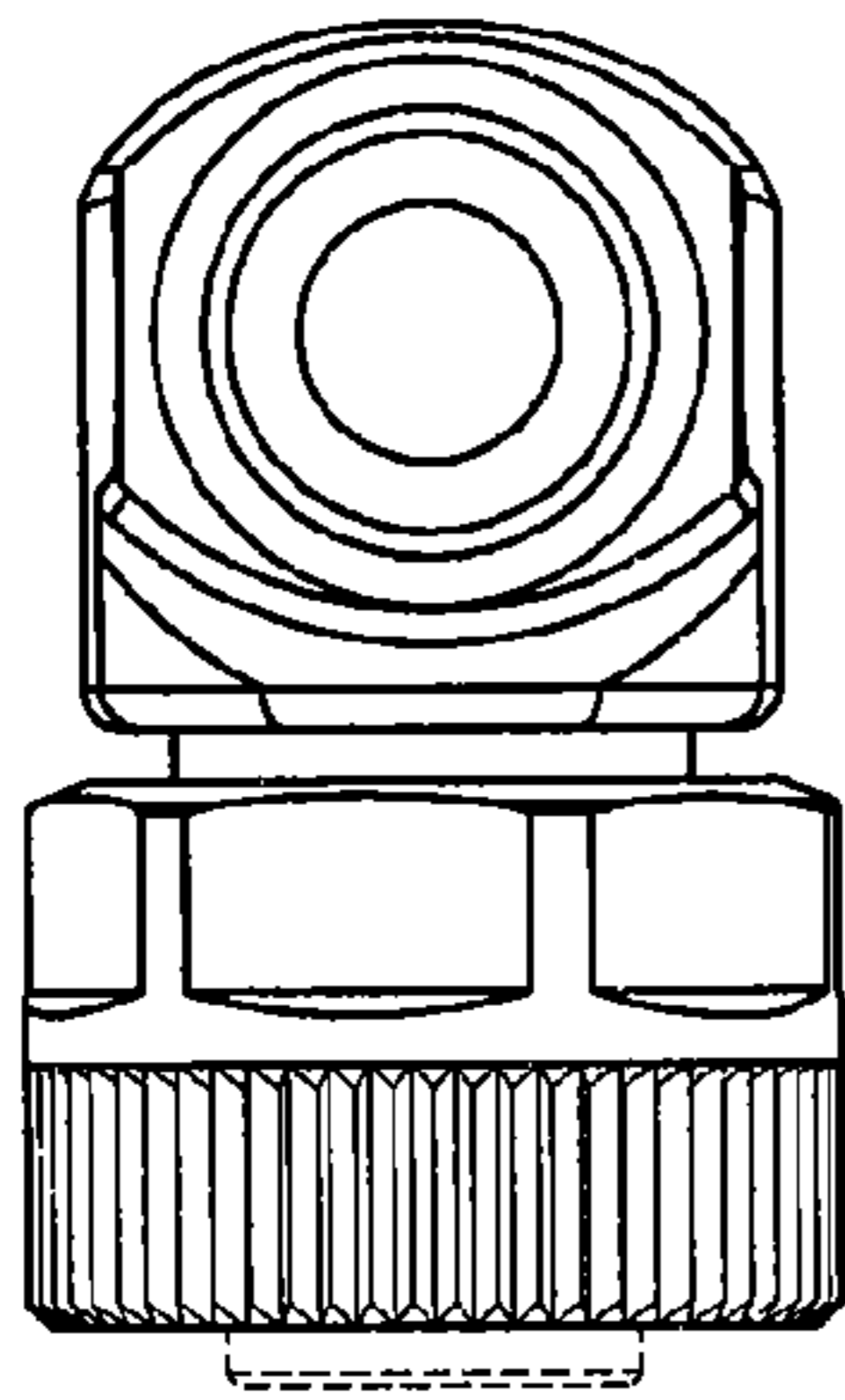


FIG. 4

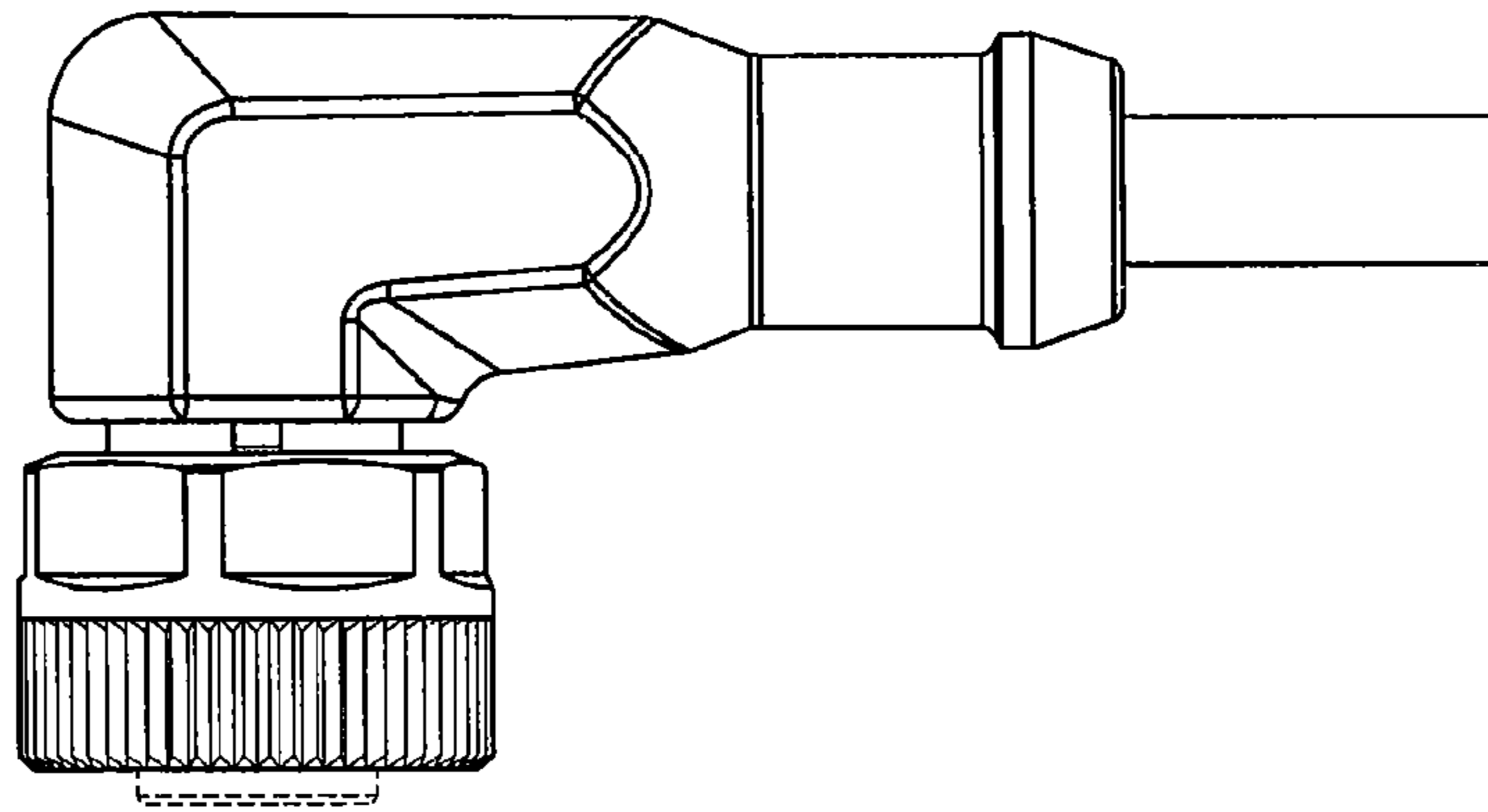


FIG. 5

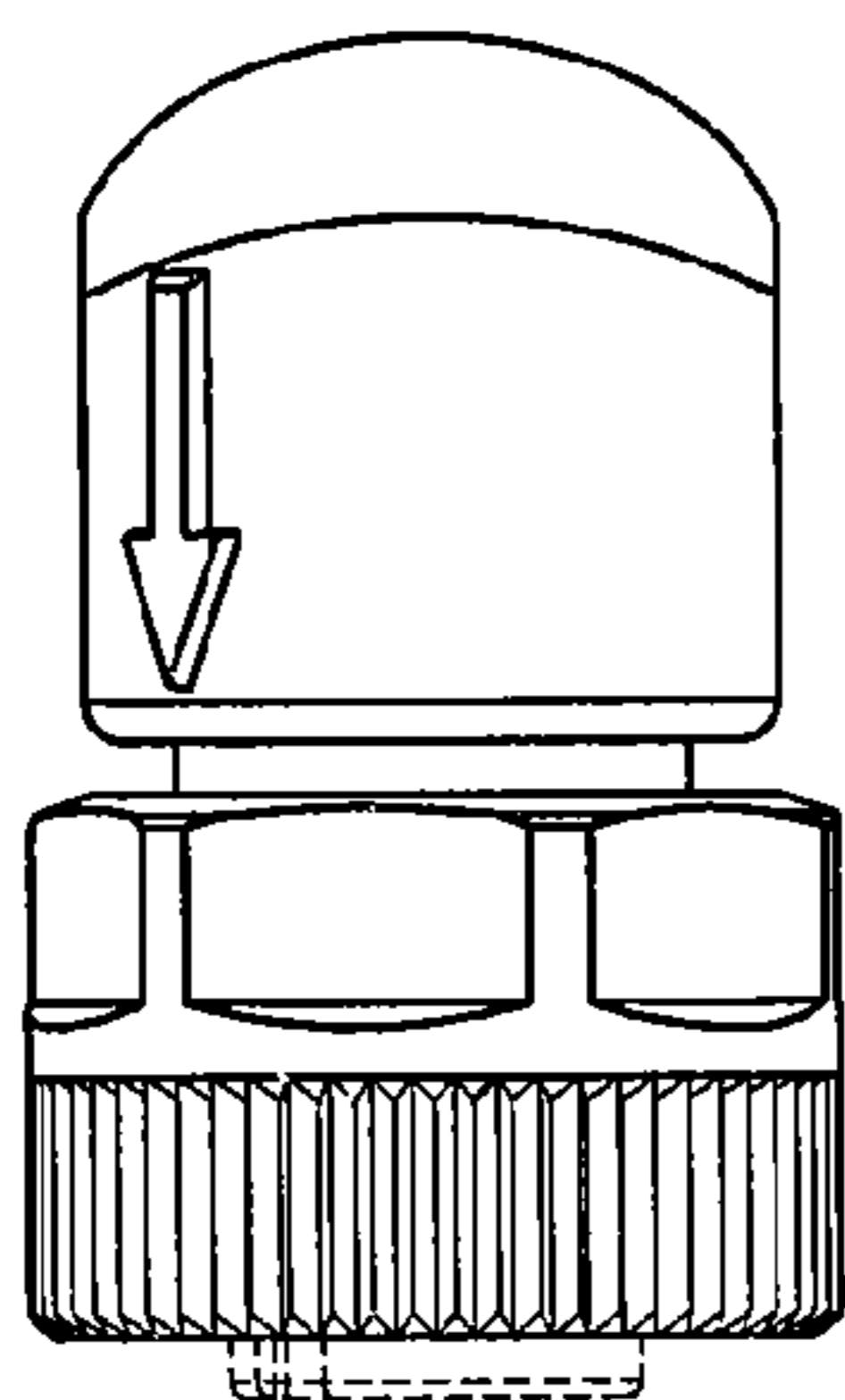


FIG. 6

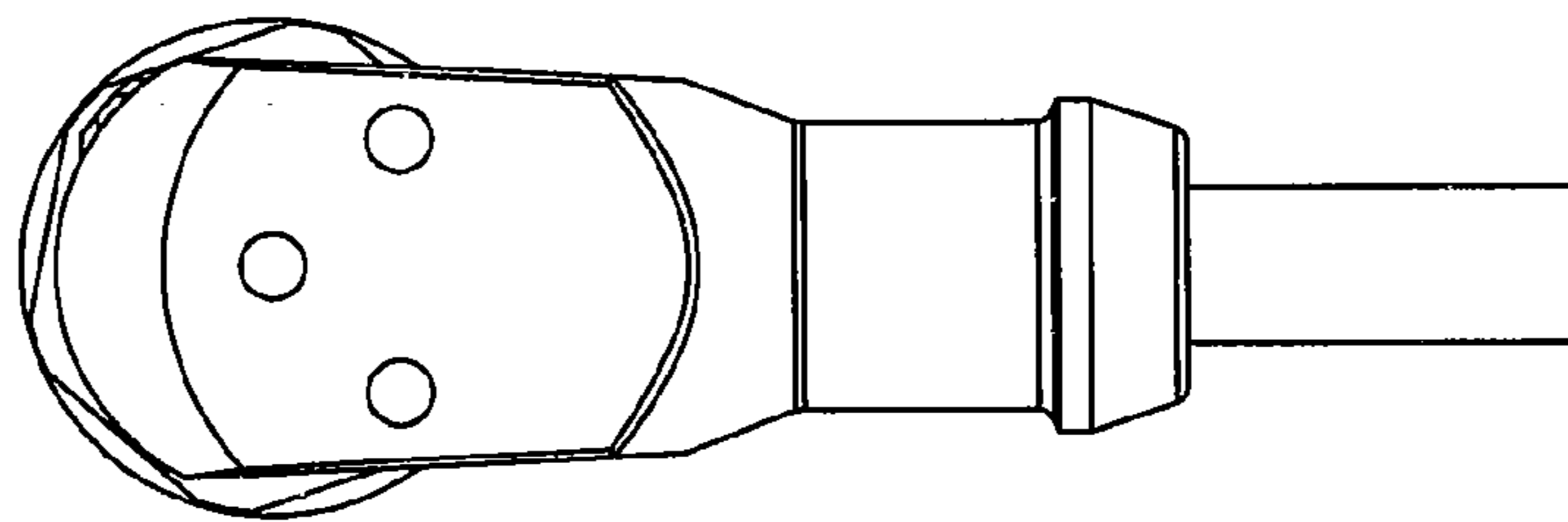


FIG. 7