



US00D611903S

(12) **United States Design Patent**
Karabcievschy et al.

(10) **Patent No.:** **US D611,903 S**
(45) **Date of Patent:** **** *Mar. 16, 2010**

(54) **PLUGGABLE CONNECTOR HOUSING**

(75) Inventors: **Vladimir Karabcievschy**, Harrisburg, PA (US); **Peter Desantis**, Harrisburg, PA (US); **Jeffrey Ruth**, Middletown, PA (US)

(73) Assignee: **Tyco Electronics Corporation**, Berwyn, PA (US)

(*) Notice: This patent is subject to a terminal disclaimer.

(**) Term: **14 Years**

(21) Appl. No.: **29/327,510**

(22) Filed: **Nov. 7, 2008**

(51) **LOC (9) Cl.** **13-03**

(52) **U.S. Cl.** **D13/133**

(58) **Field of Classification Search** D13/123, D13/133, 146, 147, 154, 184, 199; 439/79, 439/108, 278, 374, 377, 540.1, 541.5, 660, 439/607-610, 682, 884, 894

See application file for complete search history.

(56) **References Cited**

U.S. PATENT DOCUMENTS

4,174,879	A	11/1979	Suverison	
5,127,853	A	7/1992	McMills et al.	
D384,035	S *	9/1997	Kuprewicz et al.	D13/133
D388,766	S *	1/1998	Kuprewicz et al.	D13/133
5,993,237	A	11/1999	Kern, Jr. et al.	
6,009,339	A	12/1999	Bentsen et al.	
6,118,664	A	9/2000	Daoud	
D432,500	S	10/2000	Nishio et al.	
6,406,319	B2	6/2002	Pederson et al.	
D475,970	S *	6/2003	Li et al.	D13/133
D478,868	S *	8/2003	Zaremba	D13/123

6,663,438	B1	12/2003	Guilmette	
6,811,424	B2	11/2004	Seminara et al.	
6,939,159	B1	9/2005	Klein et al.	
6,945,801	B2	9/2005	Brown	
D524,736	S *	7/2006	Morita et al.	D13/133
D527,709	S	9/2006	Kuo	
D535,620	S *	1/2007	Mace et al.	D13/133
D555,594	S *	11/2007	So	D13/133
D574,772	S *	8/2008	Sutter	D13/133
D574,773	S *	8/2008	Sutter	D13/133
D585,024	S *	1/2009	Kudo	D13/133
D585,025	S *	1/2009	Kudo	D13/133

* cited by examiner

Primary Examiner—Daniel D Bui
Assistant Examiner—Thomas J Johannes

(57) **CLAIM**

The ornamental design of a pluggable connector housing, as shown and described.

DESCRIPTION

FIG. 1 is a top rear perspective view of a pluggable connector housing showing my new design;

FIG. 2 is a top front perspective view thereof;

FIG. 3 is a top plan view thereof;

FIG. 4 is a bottom plan view thereof;

FIG. 5 is a rear plan view thereof

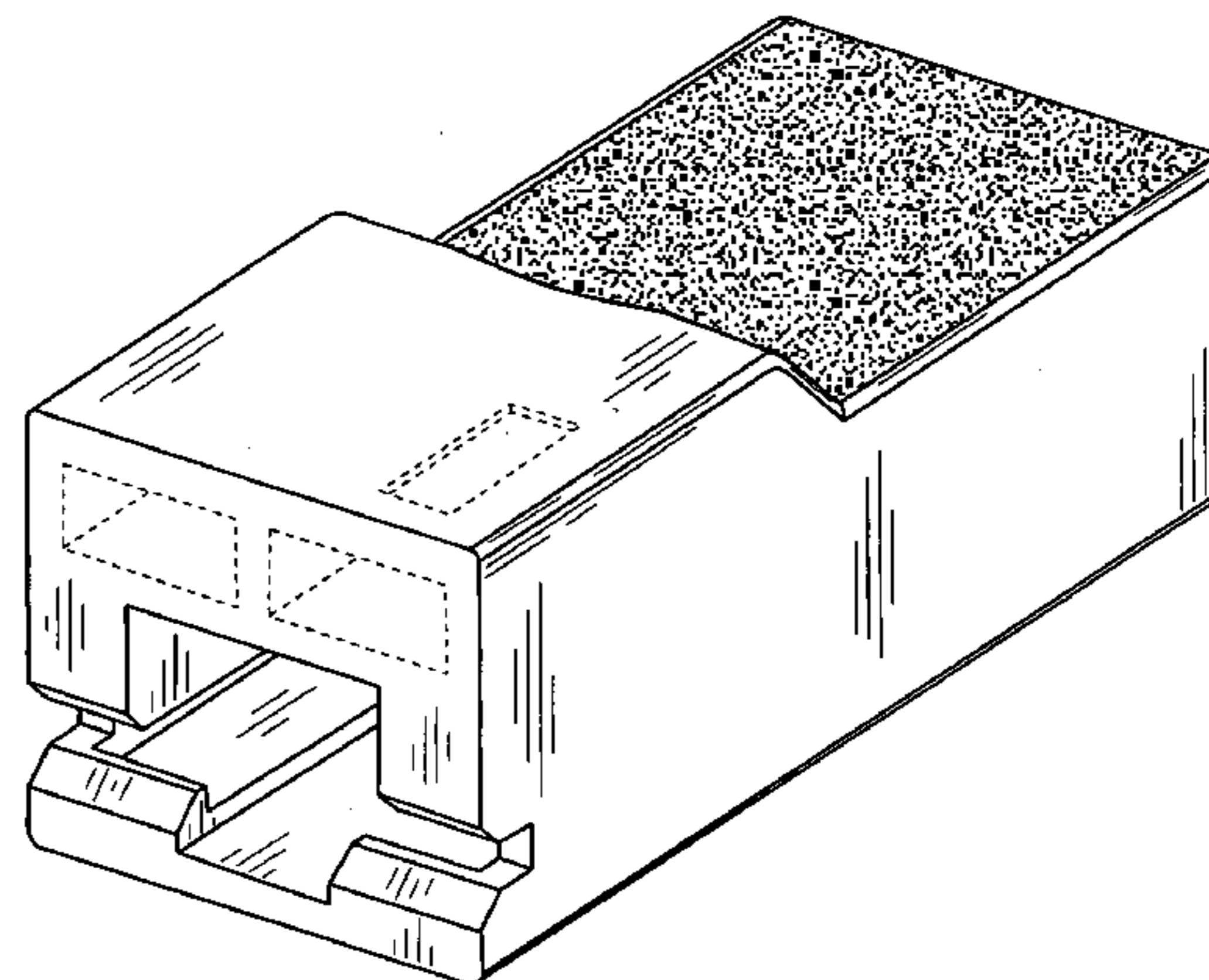
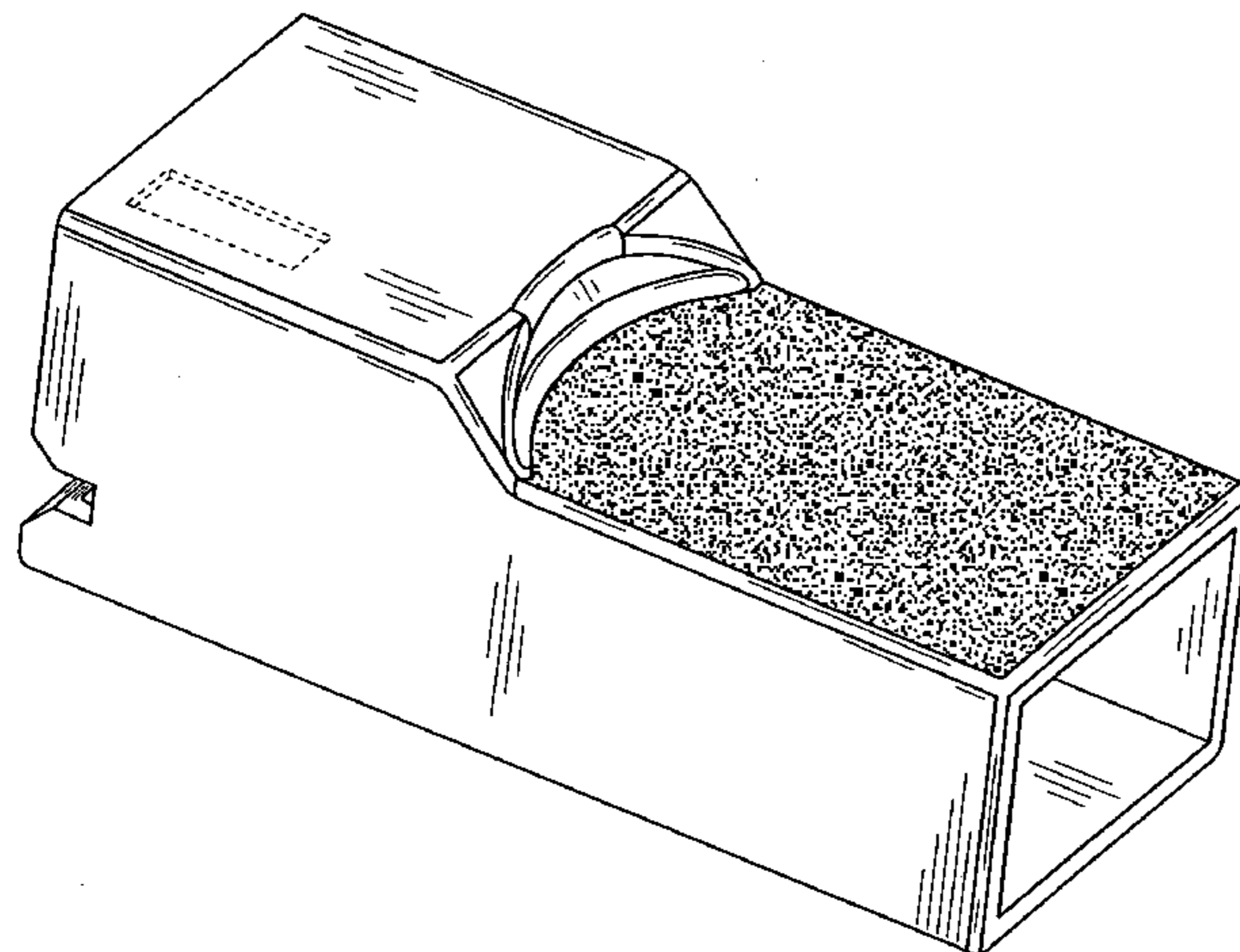
FIG. 6 is a left side view thereof;

FIG. 7 is a front plan view thereof; and,

FIG. 8 is a right side view thereof.

The special, mottled shaded regions indicate a rough surface texture. The lightweight dash-dash broken lines illustrate unclaimed subject matter and form no part of the claimed design.

1 Claim, 4 Drawing Sheets



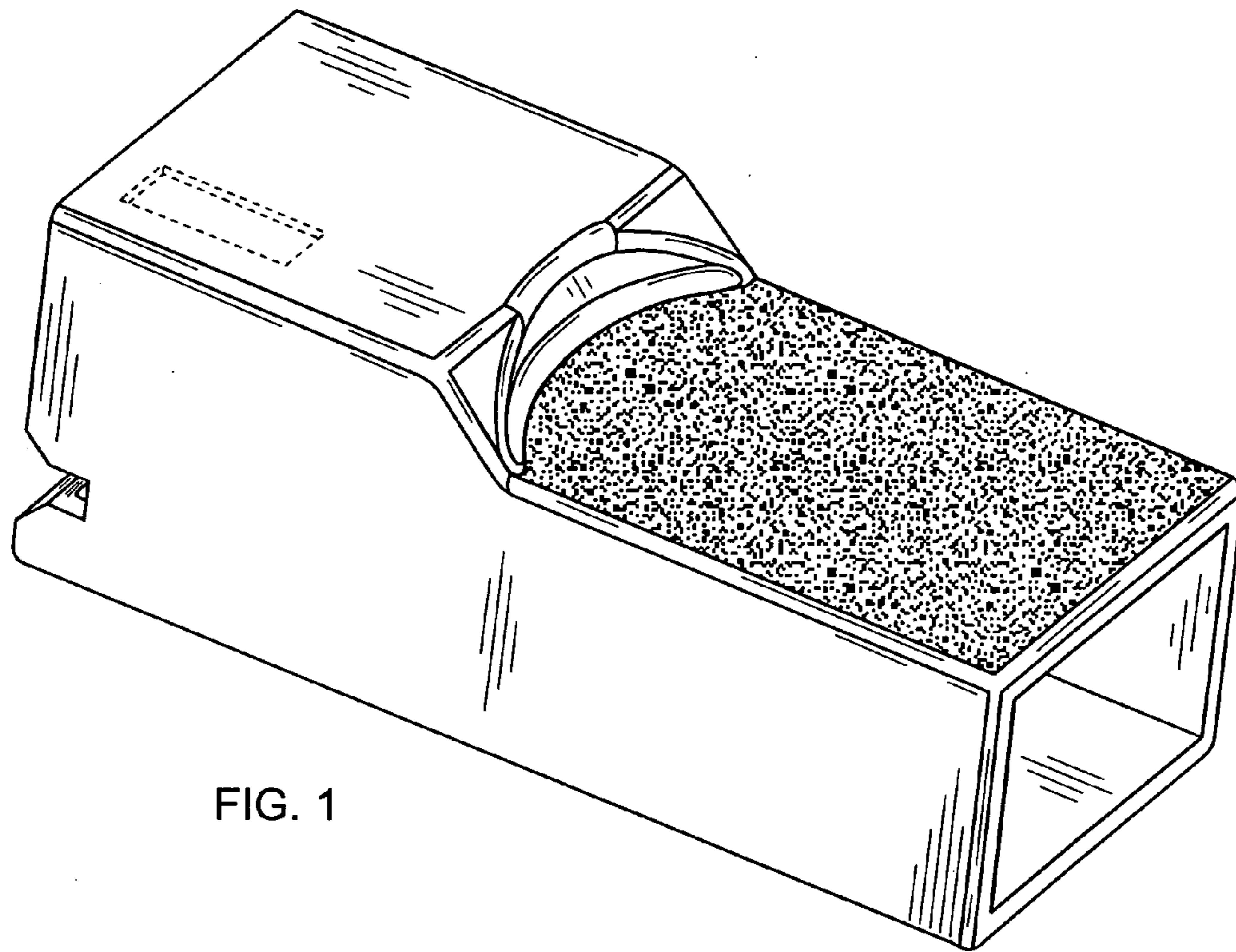


FIG. 1

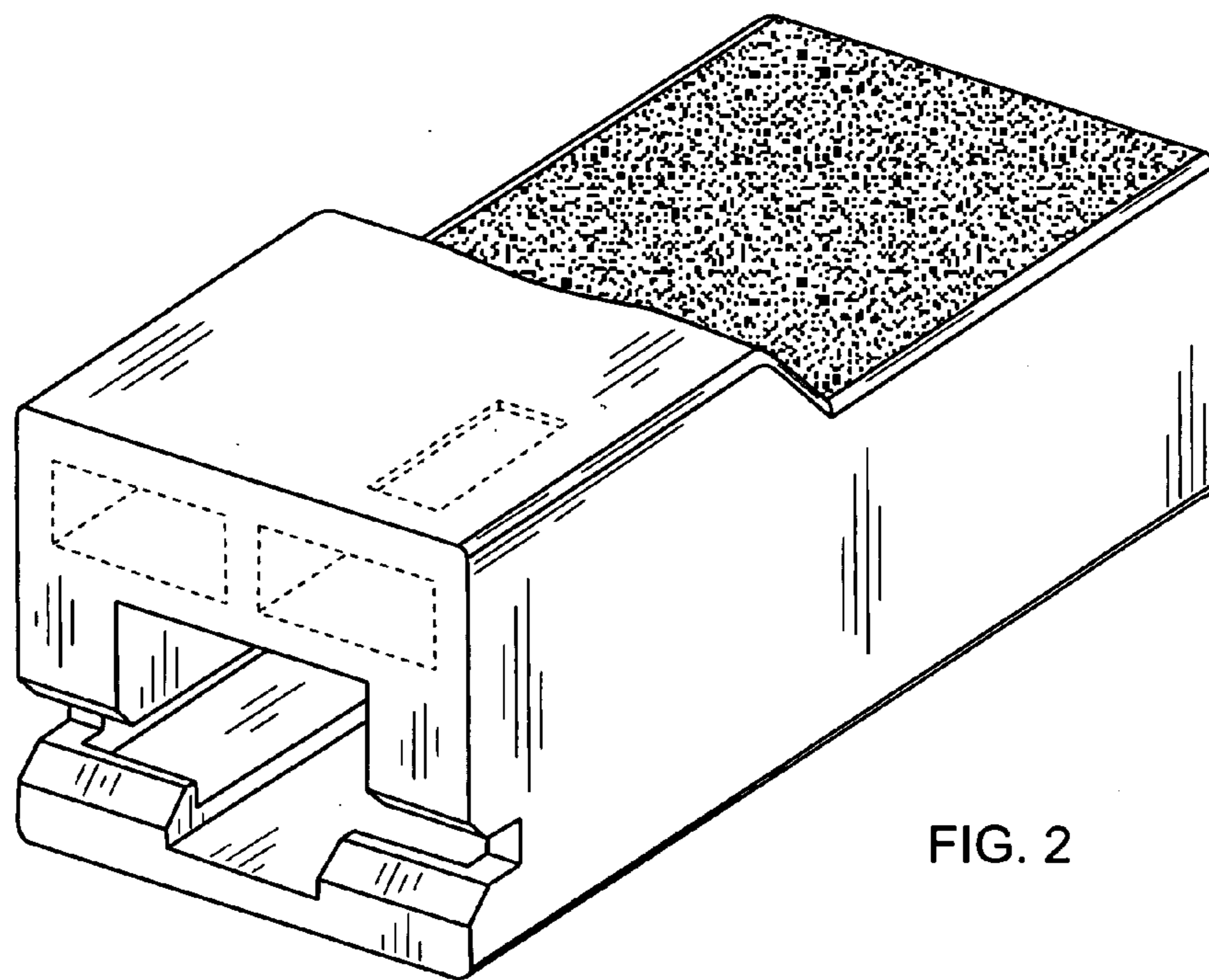


FIG. 2

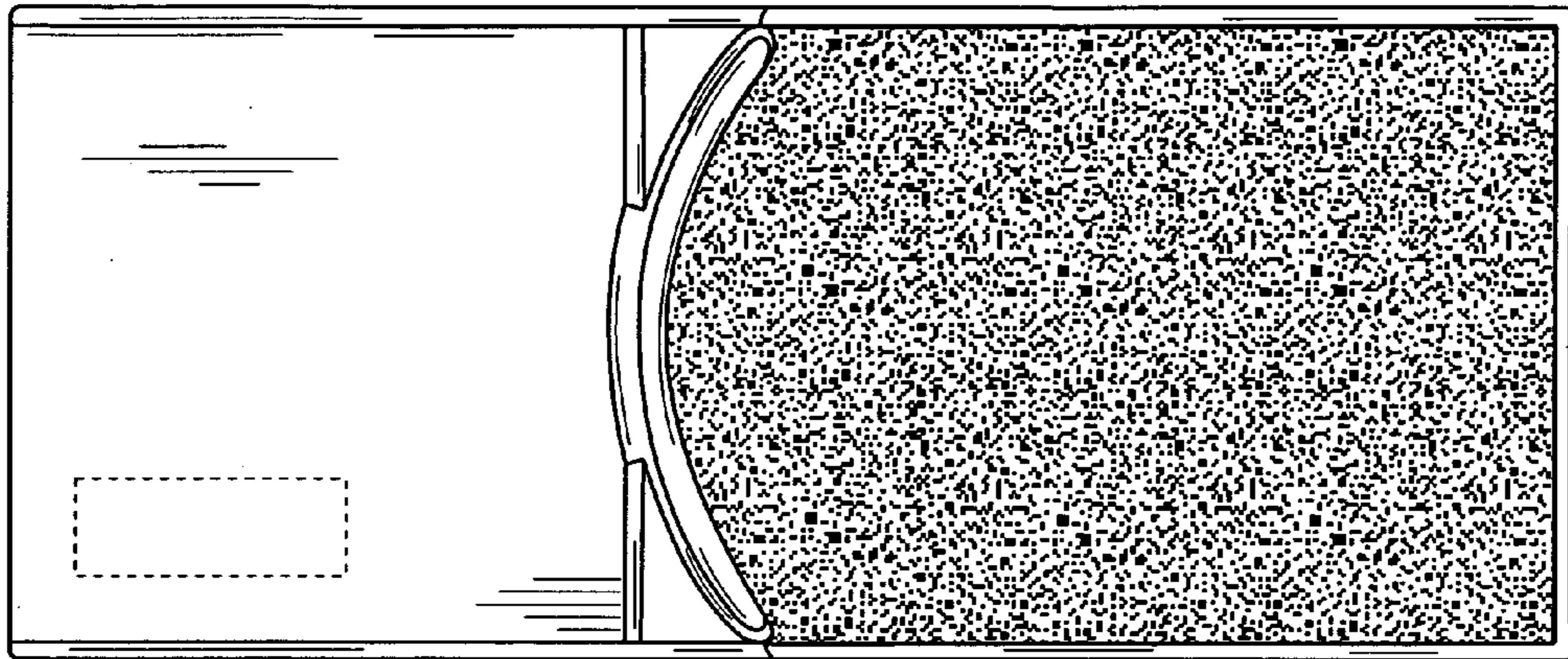


FIG. 3

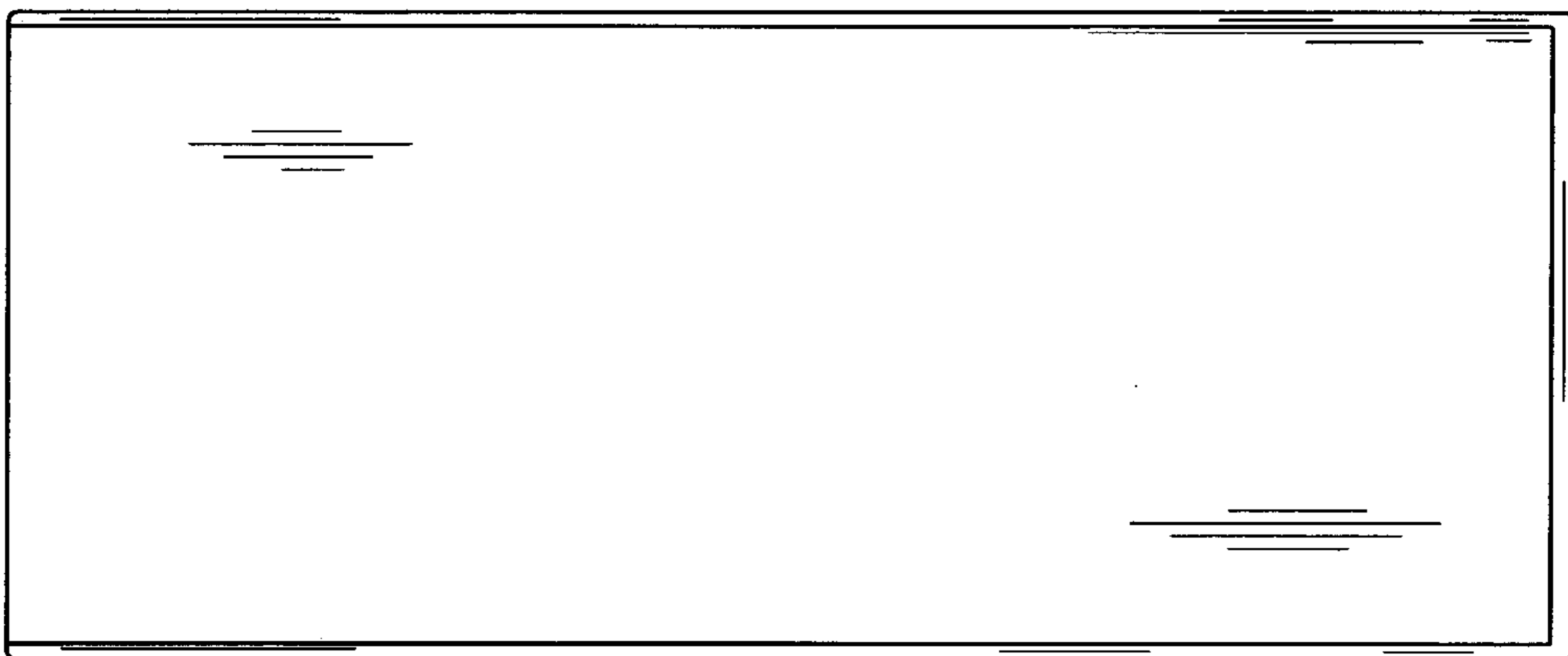


FIG. 4

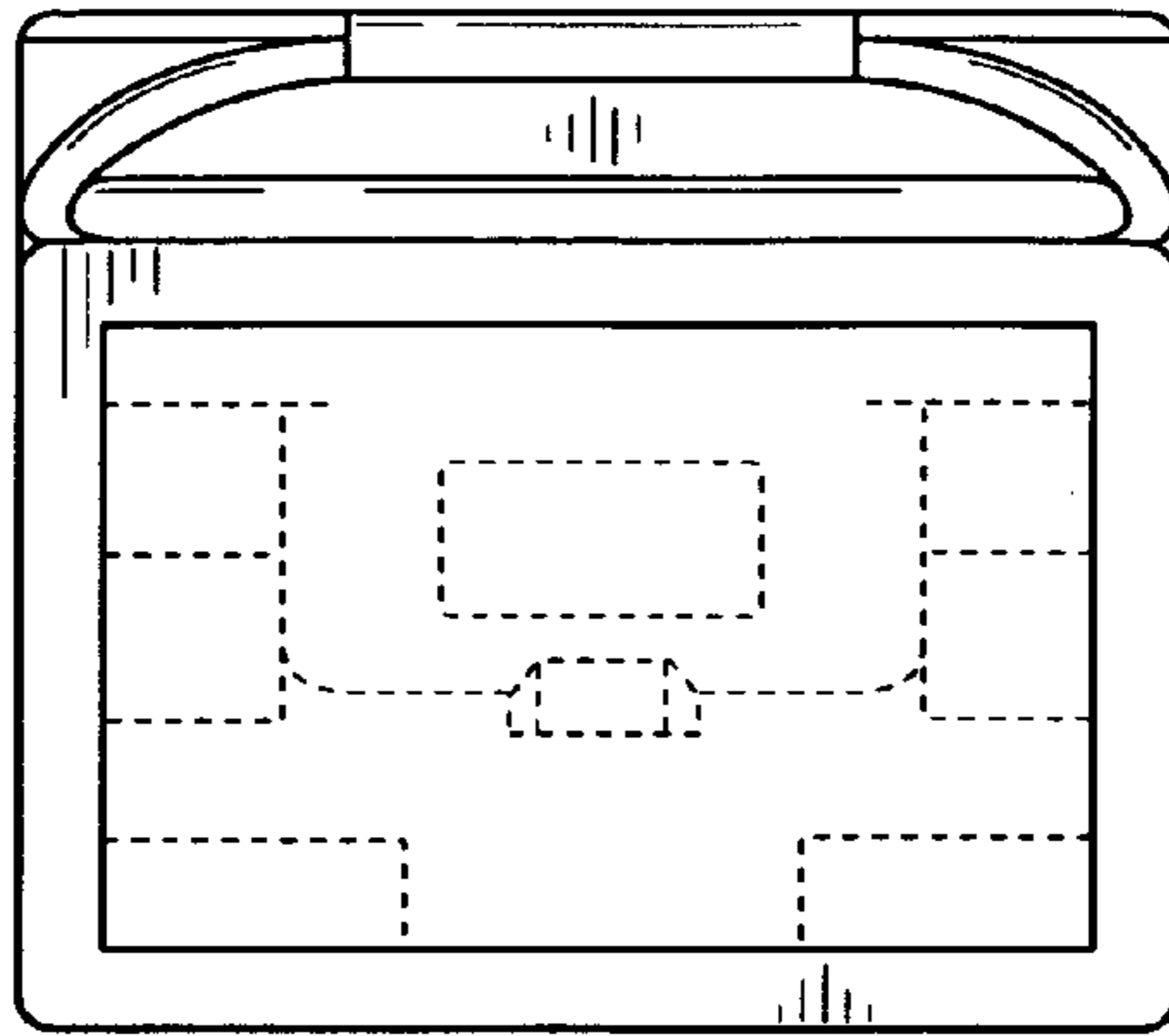


FIG. 5

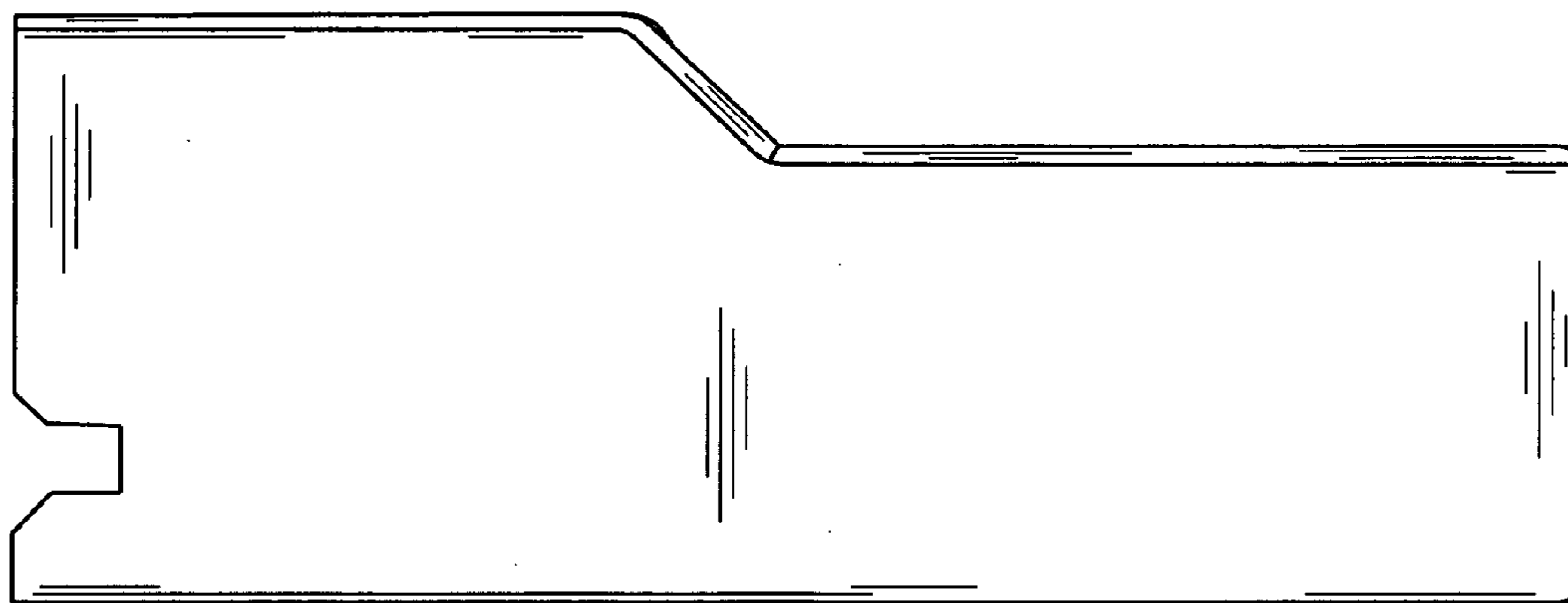


FIG. 6

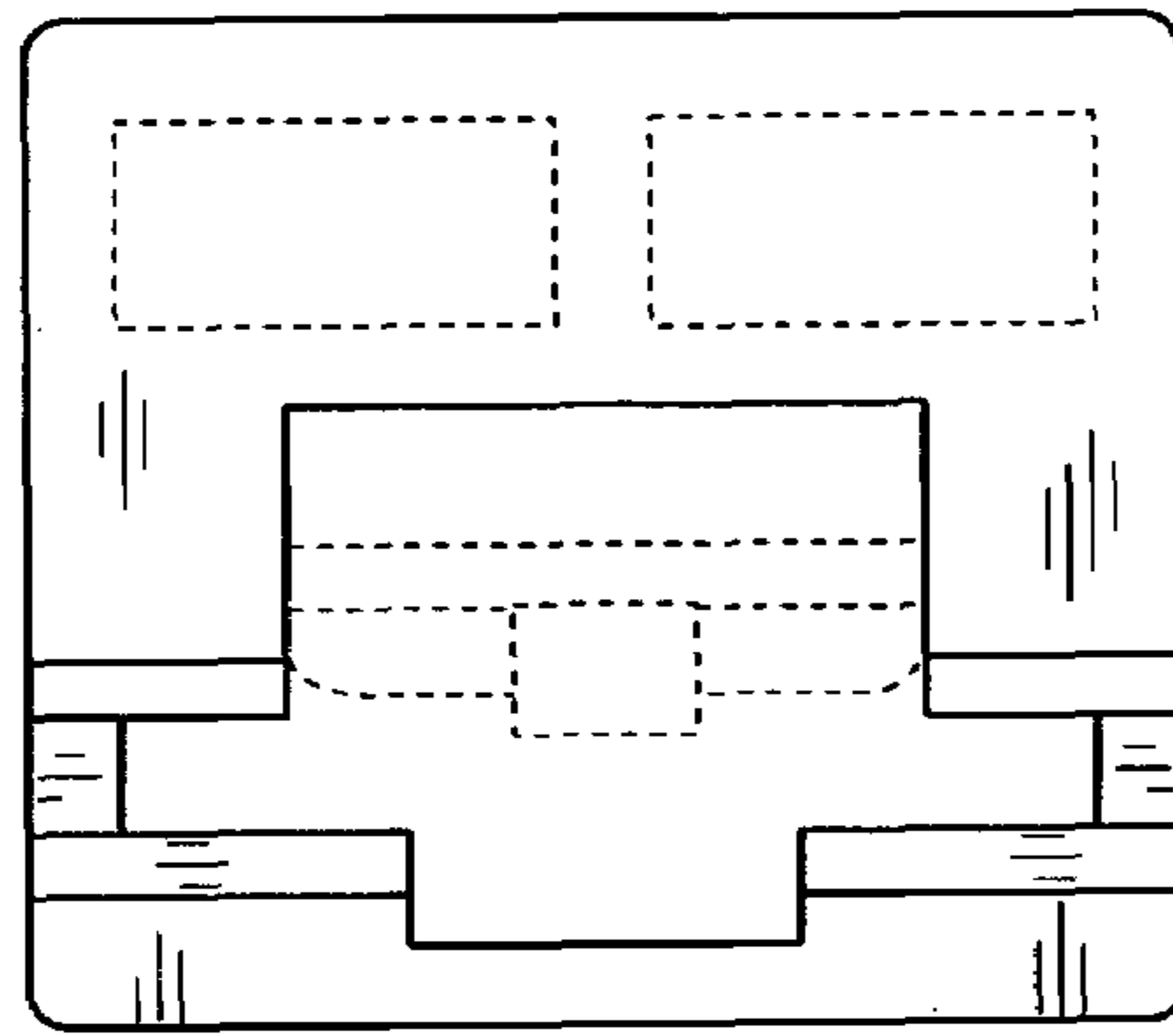


FIG. 7

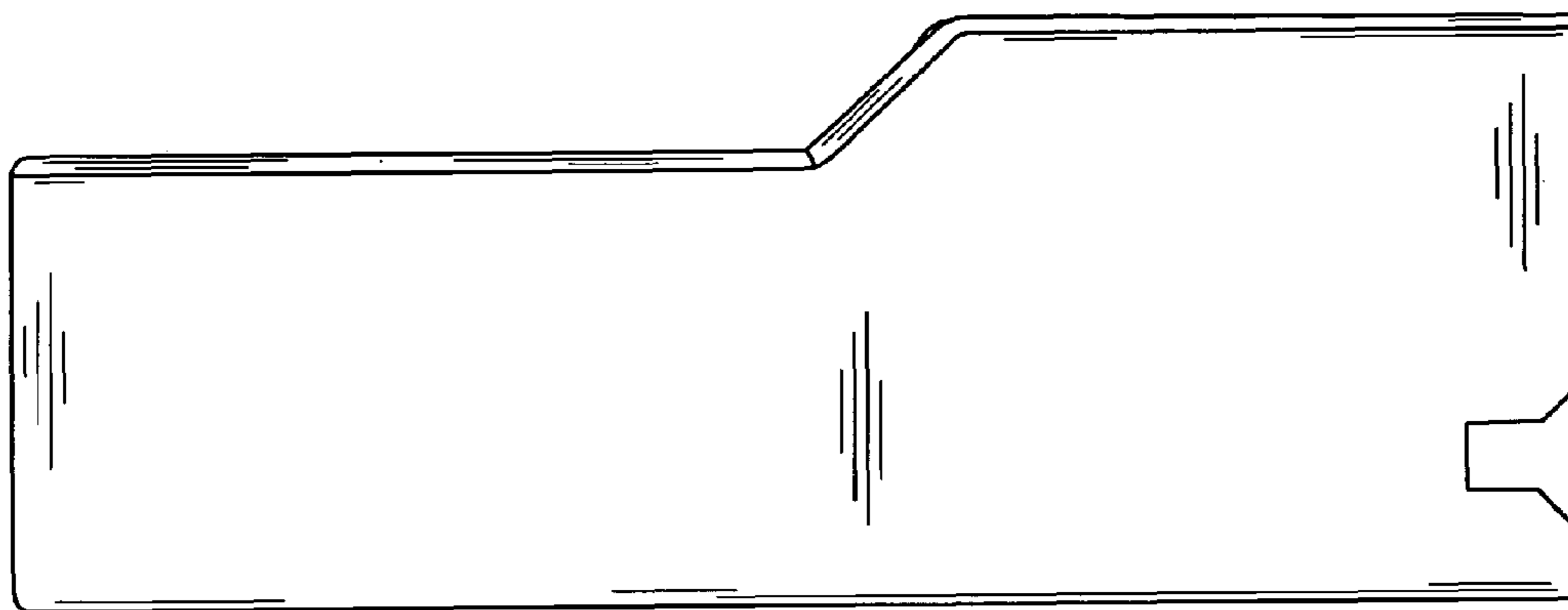


FIG. 8