



US00D611902S

(12) **United States Design Patent**  
**Jun**

(10) **Patent No.:** **US D611,902 S**  
(45) **Date of Patent:** **\*\* Mar. 16, 2010**

(54) **IGNITION PLUG FOR INTERNAL COMBUSTION ENGINE**

D598,852 S \* 8/2009 Jun ..... D13/127  
D598,853 S \* 8/2009 Jun ..... D13/127  
D598,854 S \* 8/2009 Jun ..... D13/127

(76) Inventor: **Byoung Pyo Jun**, Sungbok-dong, LG  
1-Apartment 104-202, Sugi-Gu,  
Gyeonggi-Do (KR)

\* cited by examiner

(\*\*) Term: **14 Years**

*Primary Examiner*—Daniel D Bui

*Assistant Examiner*—Thomas J Johannes

(21) Appl. No.: **29/341,100**

(74) *Attorney, Agent, or Firm*—Kile Goekjian Reed &  
McManus PLLC

(22) Filed: **Jul. 30, 2009**

(57) **CLAIM**

(51) **LOC (9) Cl.** ..... **13-03**

I claim, the ornamental design for an ignition plug for internal combustion engine, as shown and described.

(52) **U.S. Cl.** ..... **D13/127**

(58) **Field of Classification Search** ..... D13/123,  
D13/126, 127, 154; 313/118, 141, 142, 143,  
313/144, 122, 123, 128  
See application file for complete search history.

**DESCRIPTION**

FIG. 1 is a top and front perspective view of an ignition plug for internal combustion engine, showing my new design;

FIG. 2 is a front elevational view thereof;

FIG. 3 is a rear elevational view thereof;

FIG. 4 is a left side elevational view thereof;

FIG. 5 is a right side elevational view thereof;

FIG. 6 is a top plan view thereof; and,

FIG. 7 is a bottom plan view thereof.

(56) **References Cited**

U.S. PATENT DOCUMENTS

D459,697 S \* 7/2002 Schaus ..... D13/127  
D494,136 S \* 8/2004 Vesecky ..... D13/127  
7,347,174 B2 \* 3/2008 Jun ..... 123/169 EL  
D571,726 S \* 6/2008 Garrett ..... D13/127  
D598,849 S \* 8/2009 Jun ..... D13/127  
D598,850 S \* 8/2009 Jun ..... D13/127  
D598,851 S \* 8/2009 Jun ..... D13/127

**1 Claim, 4 Drawing Sheets**

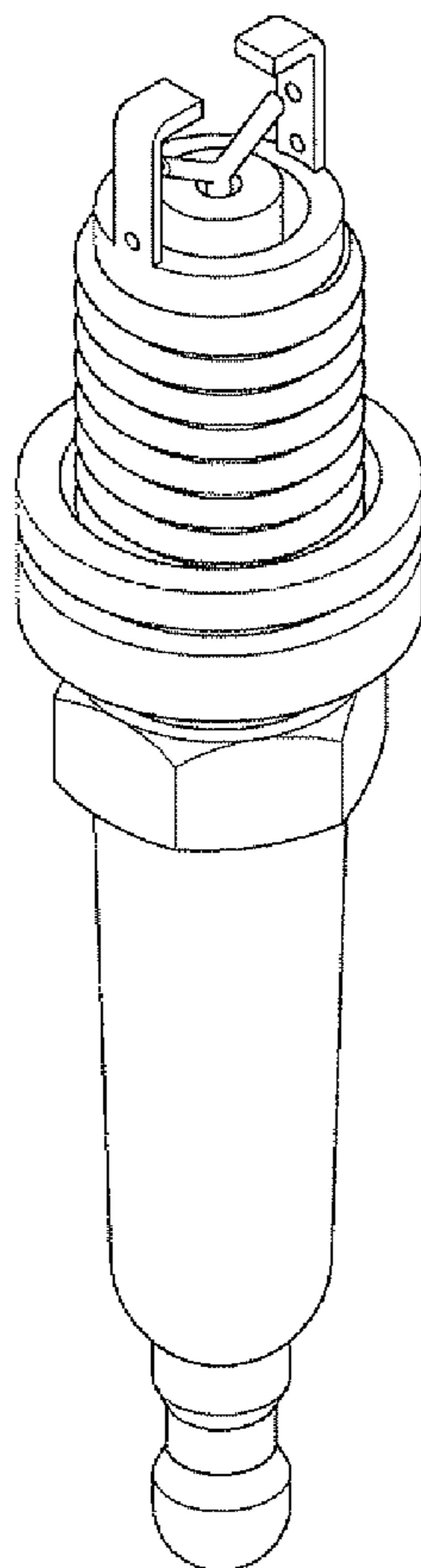


FIG. 1

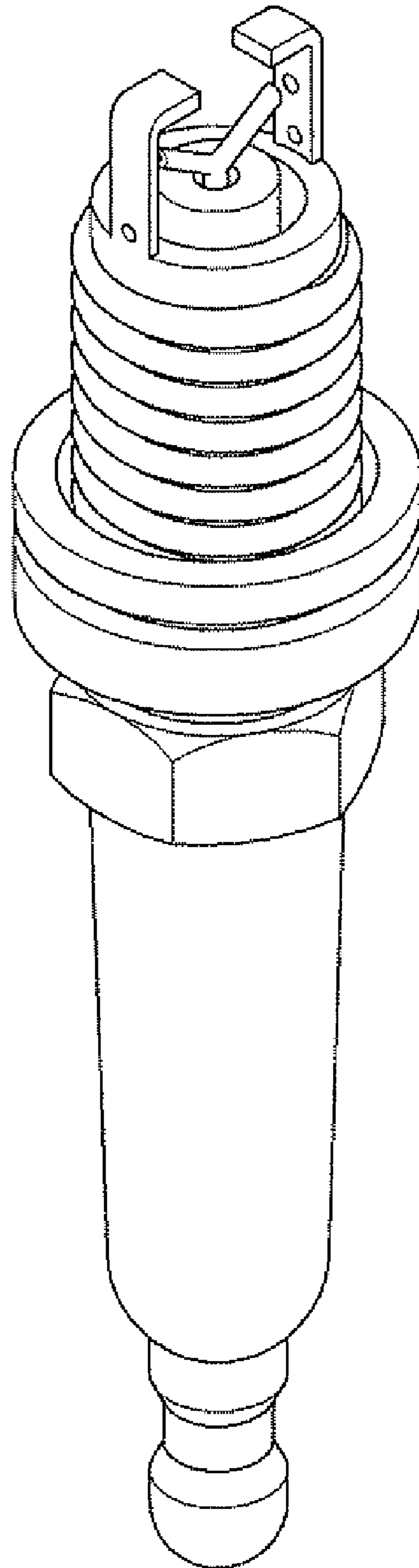


FIG.2

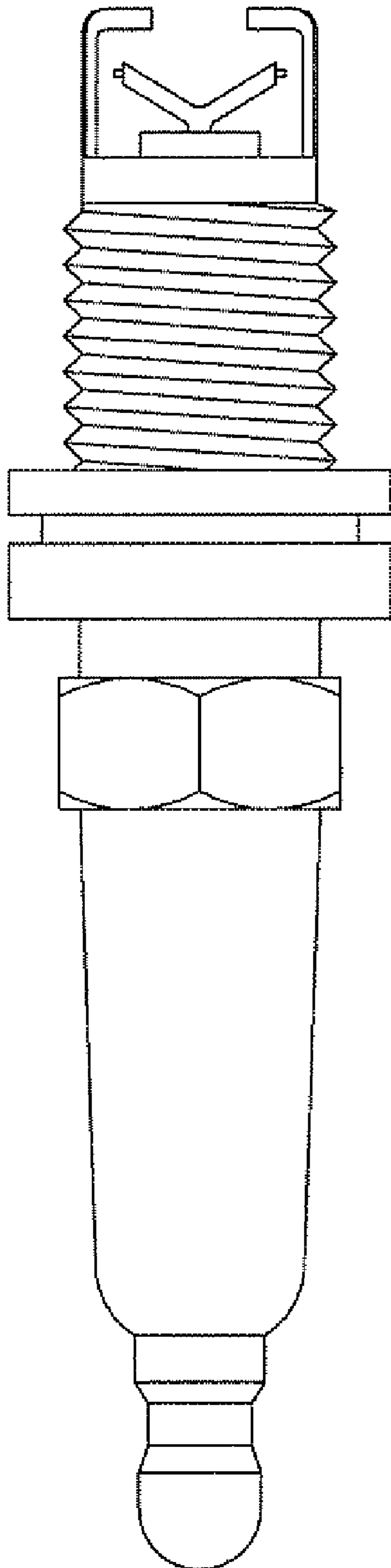


FIG.3

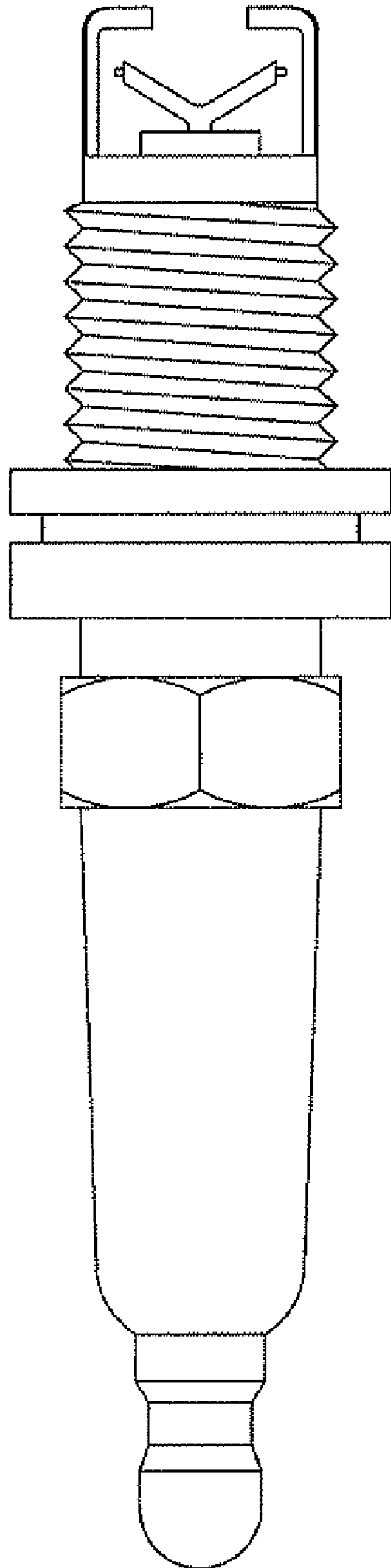


FIG. 4

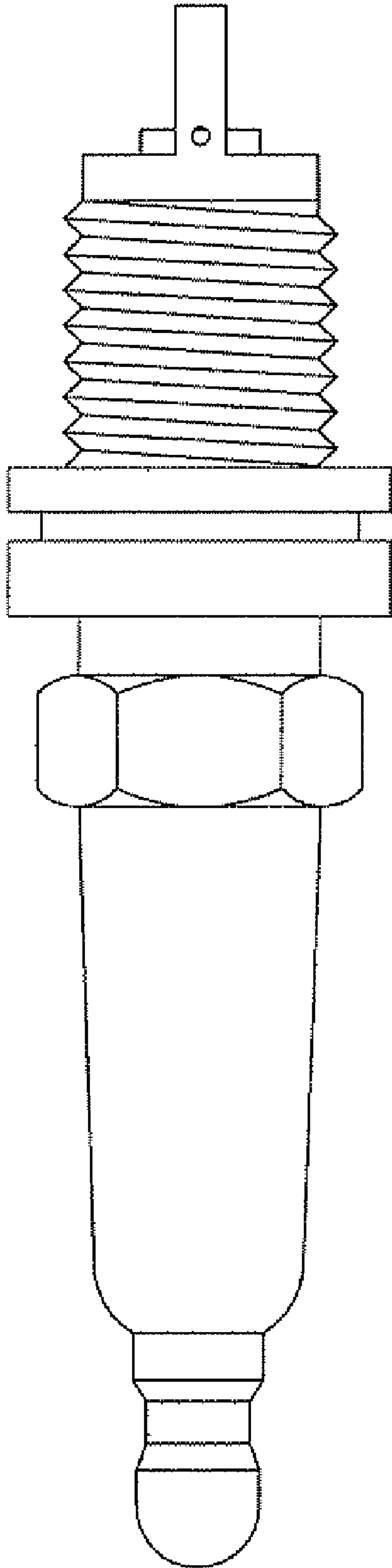


FIG. 5

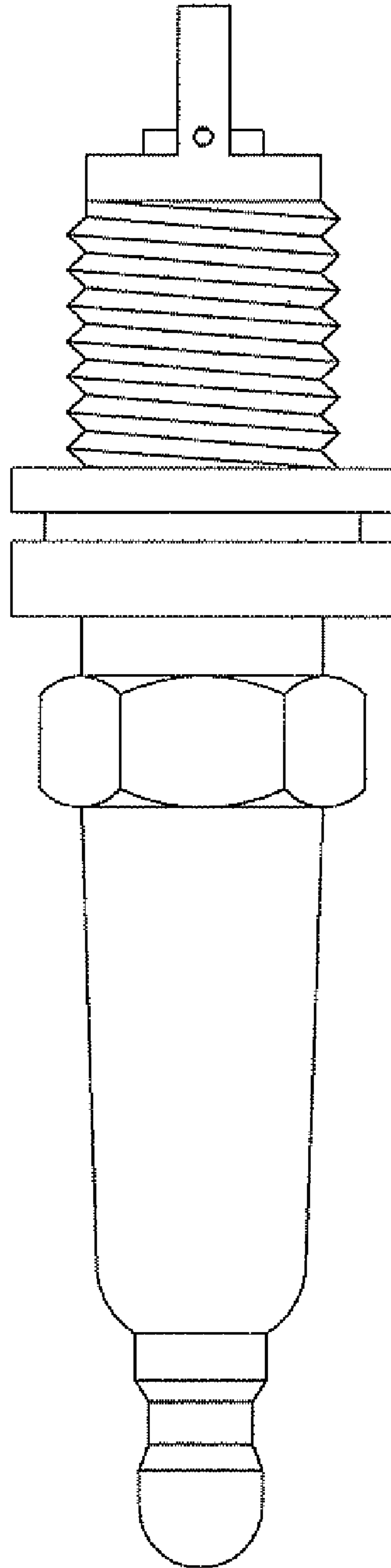


FIG.6

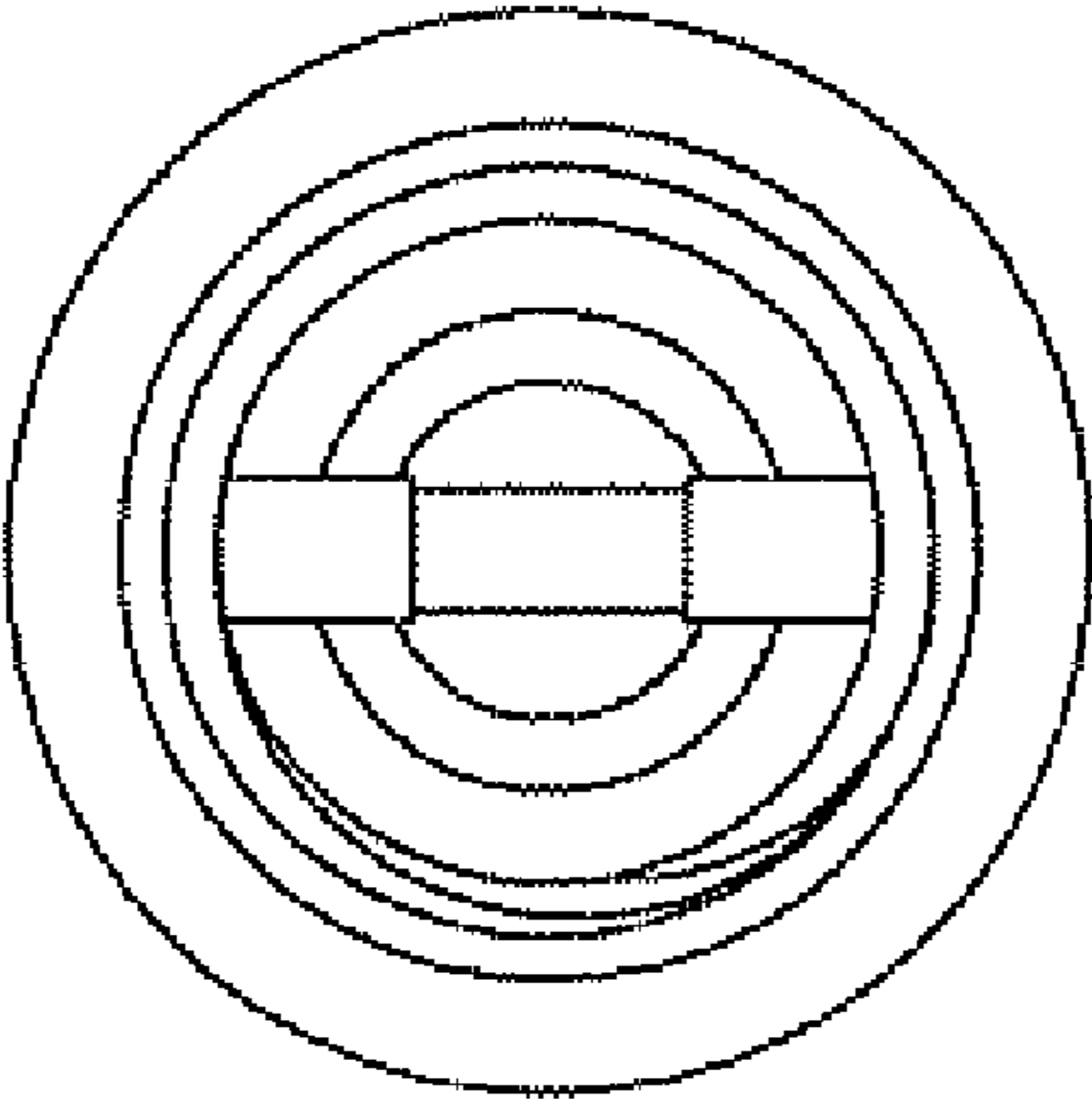


FIG.7

