



US00D611901S

(12) **United States Design Patent**  
**Obata**

(10) **Patent No.:** **US D611,901 S**  
(45) **Date of Patent:** **\*\* Mar. 16, 2010**

(54) **BATTERY**

(75) Inventor: **Shinichi Obata**, Tokyo (JP)

(73) Assignee: **Sony Corporation**, Tokyo (JP)

(\*\*) Term: **14 Years**

(21) Appl. No.: **29/292,822**

(22) Filed: **Oct. 30, 2007**

(30) **Foreign Application Priority Data**

Jun. 29, 2007 (JP) ..... 2007-017498

(51) **LOC (9) Cl.** ..... **13-02**

(52) **U.S. Cl.** ..... **D13/119**

(58) **Field of Classification Search** ..... D13/102–108,  
D13/110, 118–121, 133, 154, 184, 199; 429/96–100,  
429/163, 176; D14/356, 358; 206/703–705,  
206/471, 477, 485

See application file for complete search history.

(56) **References Cited**

**U.S. PATENT DOCUMENTS**

D356,776 S 3/1995 Yoshii  
5,415,947 A 5/1995 Mitsui et al.  
D362,424 S 9/1995 Sumita et al.  
D363,055 S \* 10/1995 Kobayashi et al. .... D13/103  
D368,316 S \* 3/1996 Jansson ..... D26/39

D377,477 S \* 1/1997 Harata et al. .... D13/103  
5,626,979 A \* 5/1997 Mitsui et al. .... 429/97  
D386,147 S \* 11/1997 Siddoway et al. .... D13/103  
5,824,431 A \* 10/1998 Tsurumaru et al. .... 429/97  
D405,766 S \* 2/1999 Hartel et al. .... D13/184  
D417,187 S 11/1999 Maeyama  
D434,722 S \* 12/2000 Zolyomi et al. .... D13/103  
D435,827 S \* 1/2001 Rausch et al. .... D13/103  
D512,018 S \* 11/2005 Matsuda et al. .... D13/103  
D531,575 S \* 11/2006 Yamada ..... D13/103  
D588,058 S \* 3/2009 Obata ..... D13/103

\* cited by examiner

*Primary Examiner*—Rosemary K Tarca

(74) *Attorney, Agent, or Firm*—Rader, Fishman & Grauer, PLLC

(57) **CLAIM**

The ornamental design for a battery, as shown and described.

**DESCRIPTION**

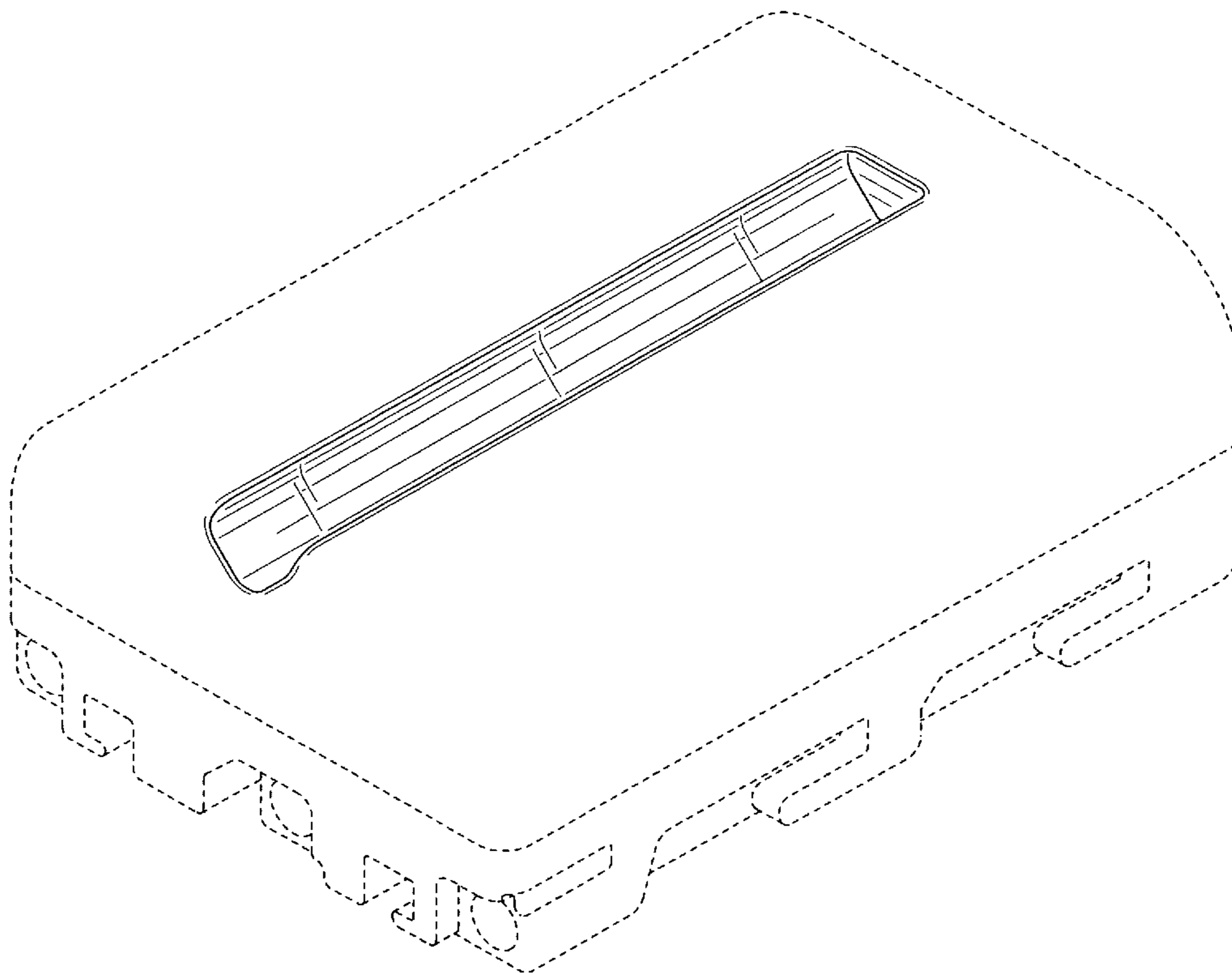
FIG. 1 is a perspective view of a battery showing my new design;

FIG. 2 is a front elevational view thereof; and,

FIG. 3 is a top plan view thereof.

The portions indicated in broken lines are for illustrative purposes only and form no part of the claimed design.

**1 Claim, 3 Drawing Sheets**



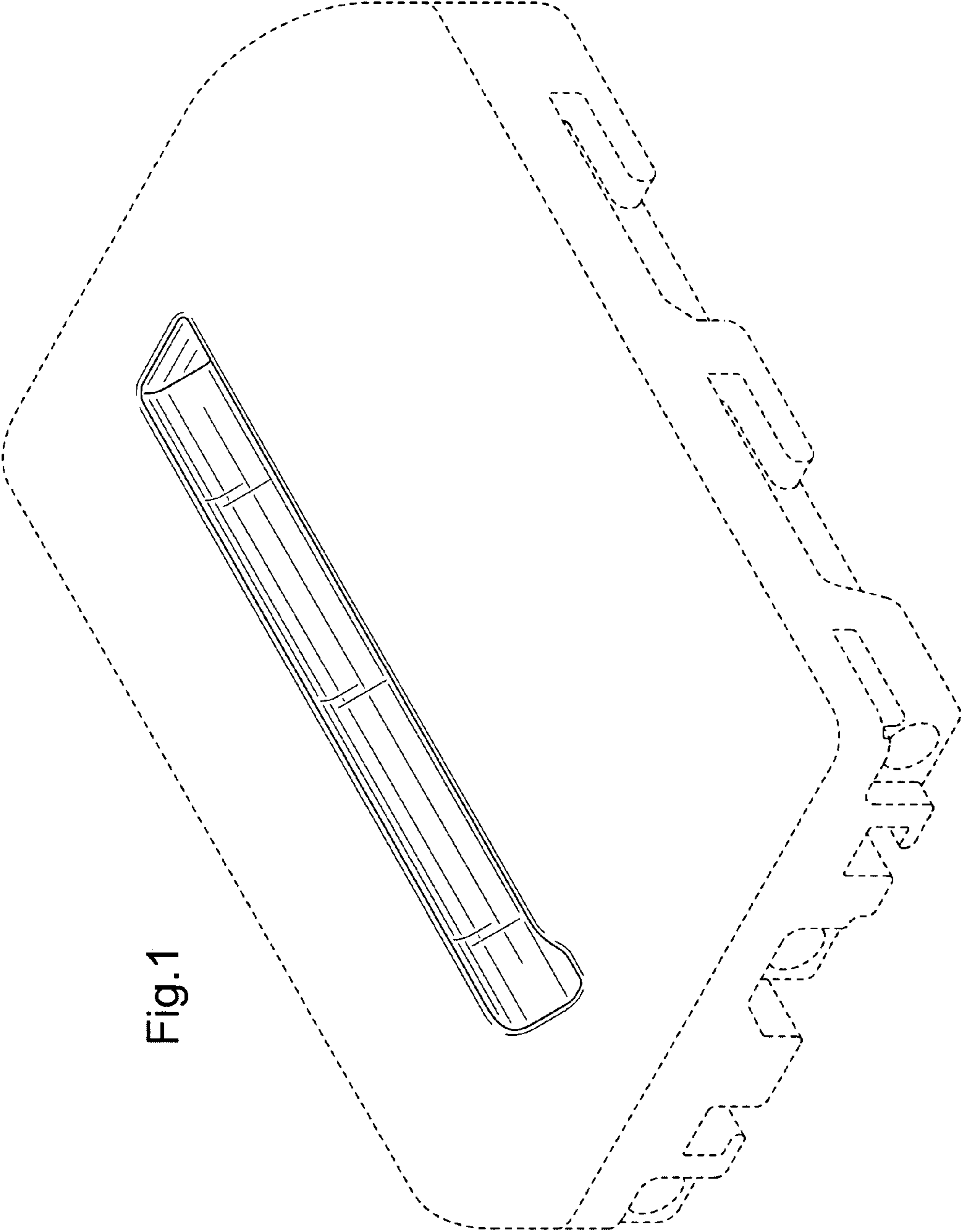


Fig.1

Fig.2

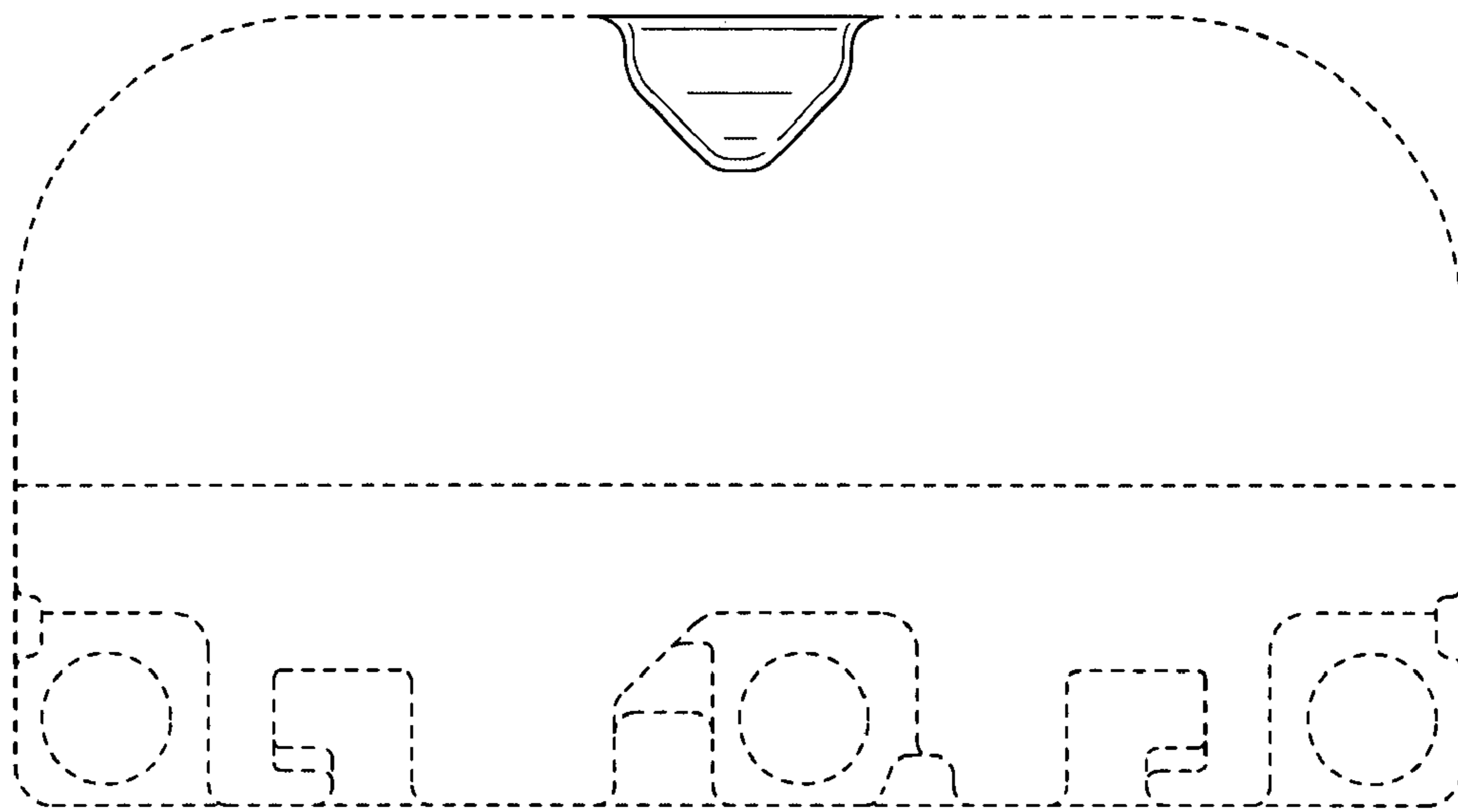


Fig.3

