



US00D611897S

(12) **United States Design Patent**  
**Tirone et al.**

(10) **Patent No.:** **US D611,897 S**  
(45) **Date of Patent:** **\*\* Mar. 16, 2010**

(54) **CHARGER**

(75) Inventors: **James C. Tirone**, Baltimore, MD (US);  
**Christopher J. Murray**, Baltimore, MD (US)

(73) Assignee: **Black & Decker Inc.**, Newark, DE (US)

(\*\*) Term: **14 Years**

(21) Appl. No.: **29/343,008**

(22) Filed: **Sep. 4, 2009**

(51) **LOC (9) Cl.** ..... **13-02**

(52) **U.S. Cl.** ..... **D13/107**

(58) **Field of Classification Search** ..... D13/107-110,  
D13/118-119, 184; D14/251, 253, 432,  
D14/434; 320/107-115

See application file for complete search history.

(56) **References Cited**

**U.S. PATENT DOCUMENTS**

D210,885 S *	4/1968	Eberhart	.....	D13/108
D315,330 S *	3/1991	Soren et al.	.....	D13/107
D430,846 S *	9/2000	Kawakita et al.	.....	D13/107
D466,476 S *	12/2002	Stratford	.....	D13/108
D532,744 S *	11/2006	Aglassinger	.....	D13/108
D547,265 S *	7/2007	Aglassinger	.....	D13/108

D548,689 S *	8/2007	Baxter	.....	D13/108
D549,707 S *	8/2007	Depay	.....	D14/434
D564,445 S *	3/2008	Stratford	.....	D13/108
D573,089 S *	7/2008	Mandel et al.	.....	D13/107

\* cited by examiner

*Primary Examiner*—Rosemary K Tarcza

(74) *Attorney, Agent, or Firm*—Welsey W. Muller

(57) **CLAIM**

The ornamental design for a charger, as shown and described.

**DESCRIPTION**

FIG. 1 is a front perspective view of a charger according to the present invention;

FIG. 2 is a right side view of the charger of FIG. 1;

FIG. 3 is a left side view of the charger of FIG. 1;

FIG. 4 is a front view of the charger of FIG. 1;

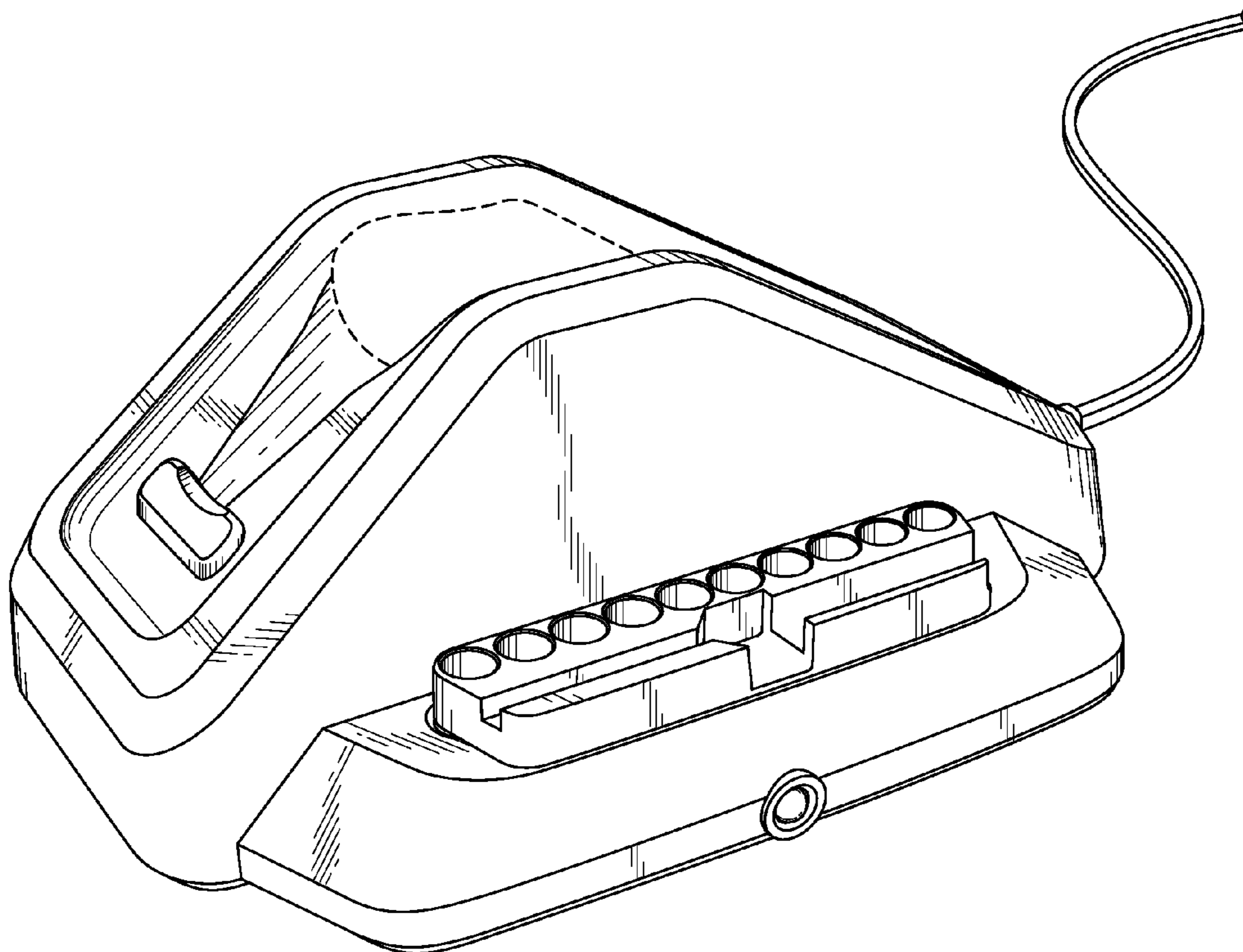
FIG. 5 is a rear view of the charger of FIG. 1;

FIG. 6 is a top view of the charger of FIG. 1; and,

FIG. 7 is a bottom view of the charger of FIG. 1,

The broken lines in the figures merely illustrate the environment for the charger of the present design and therefore form no part of the claimed design.

**1 Claim, 7 Drawing Sheets**



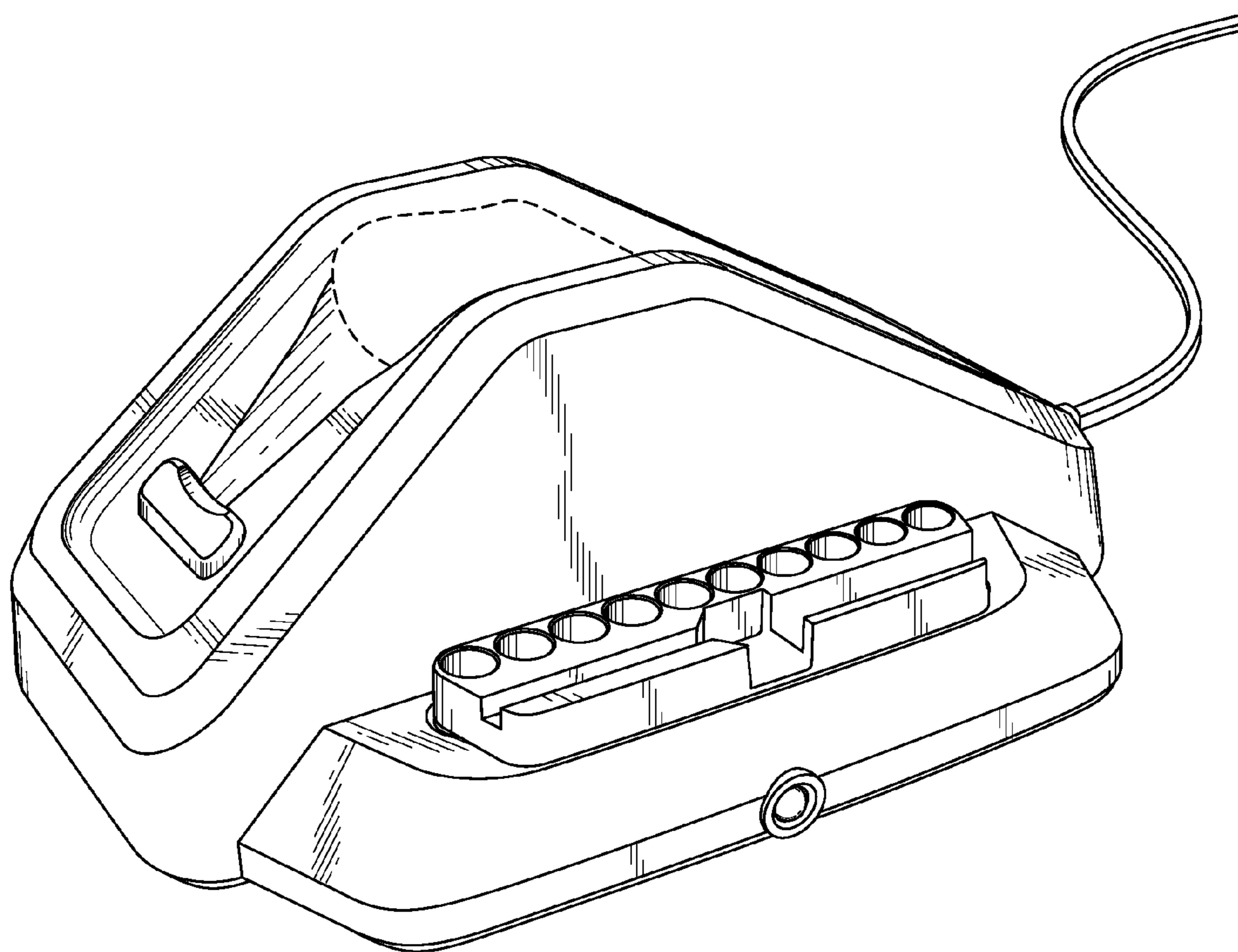


Fig. 1

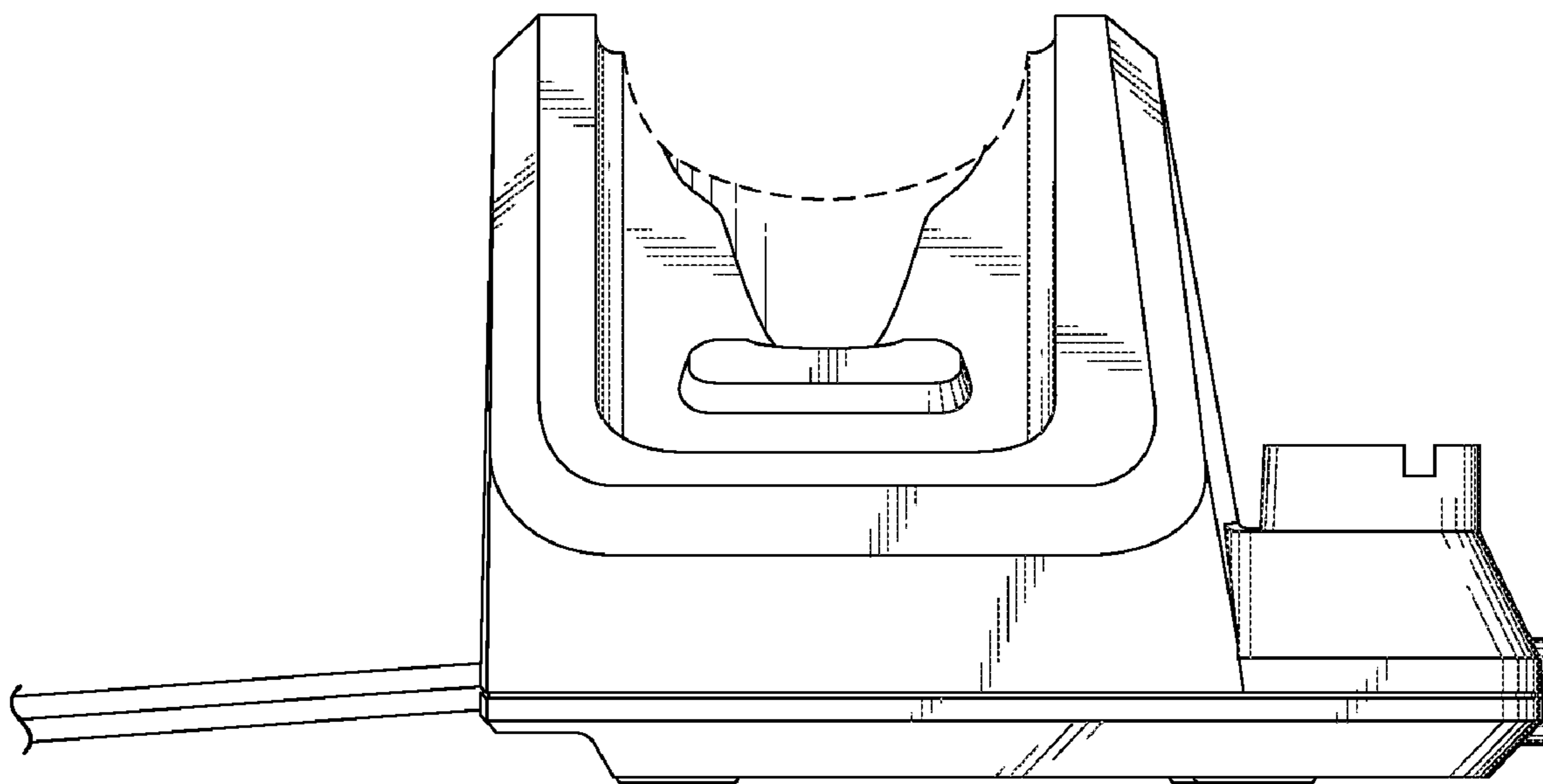


Fig. 2

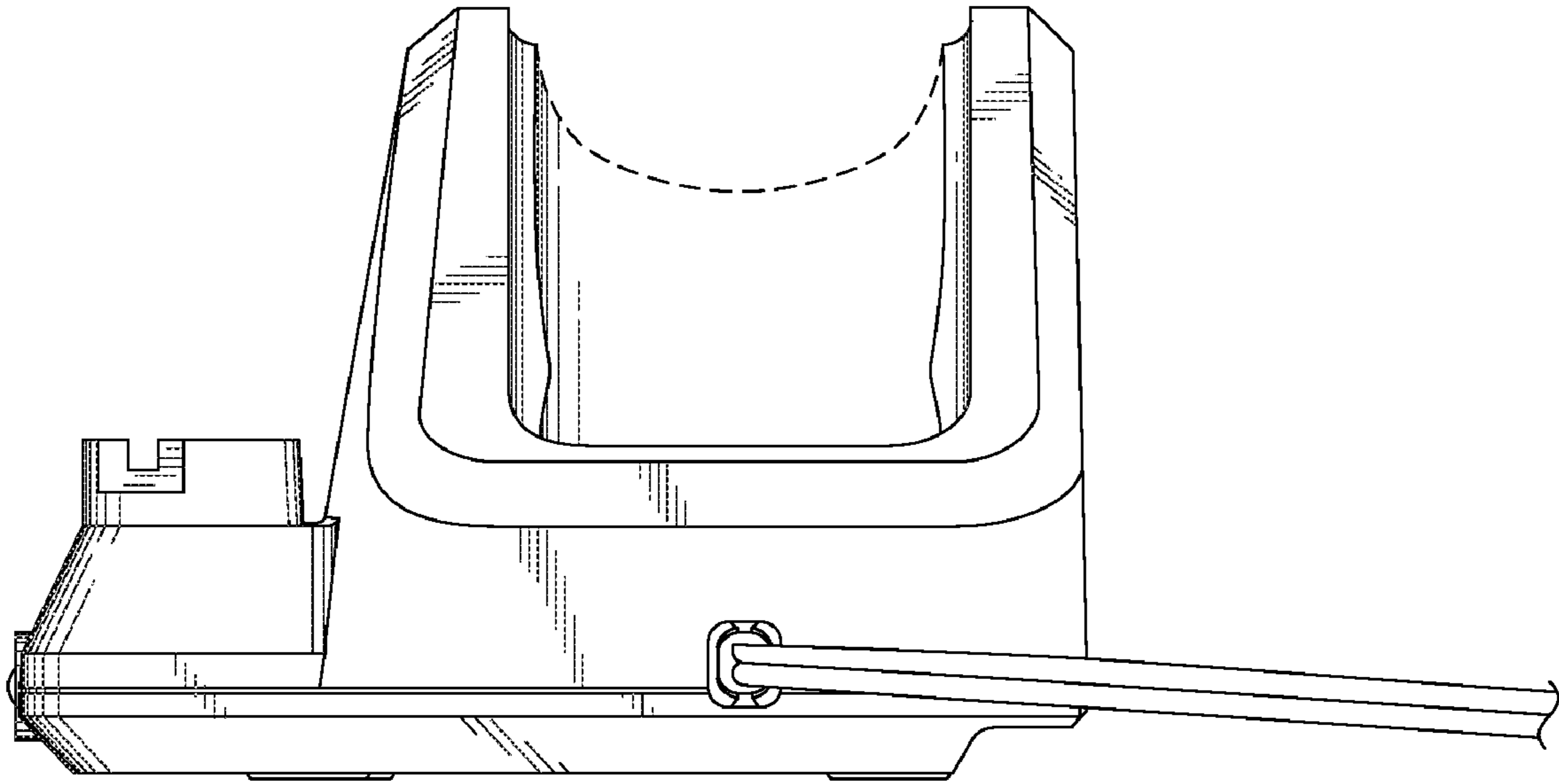


Fig. 3

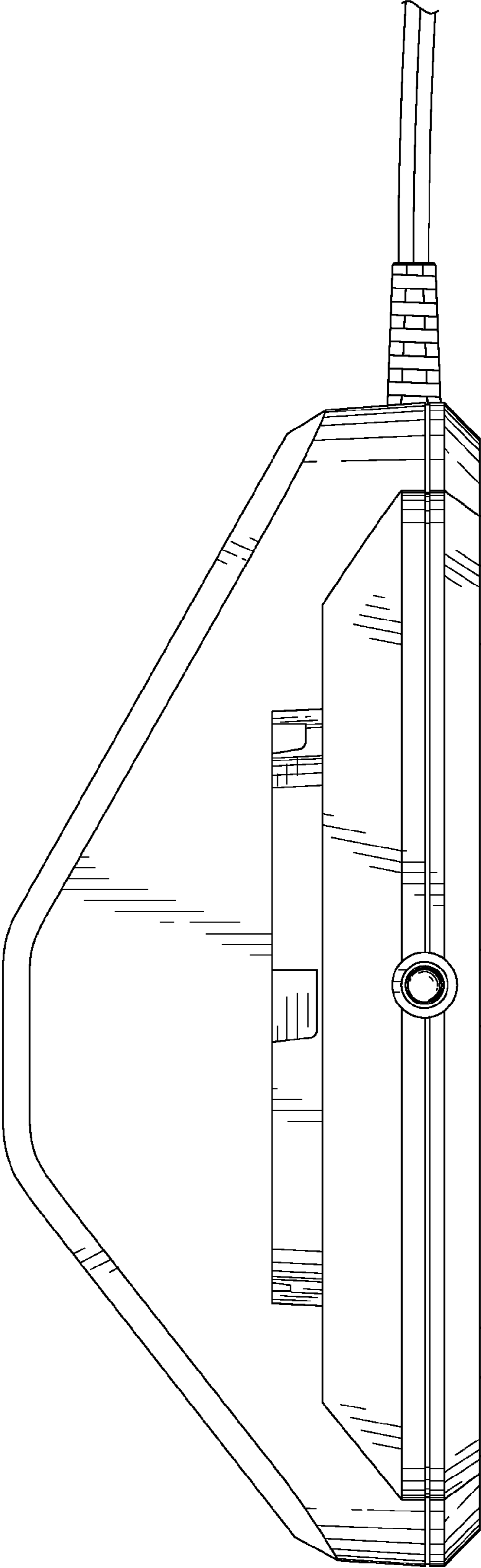


Fig. 4

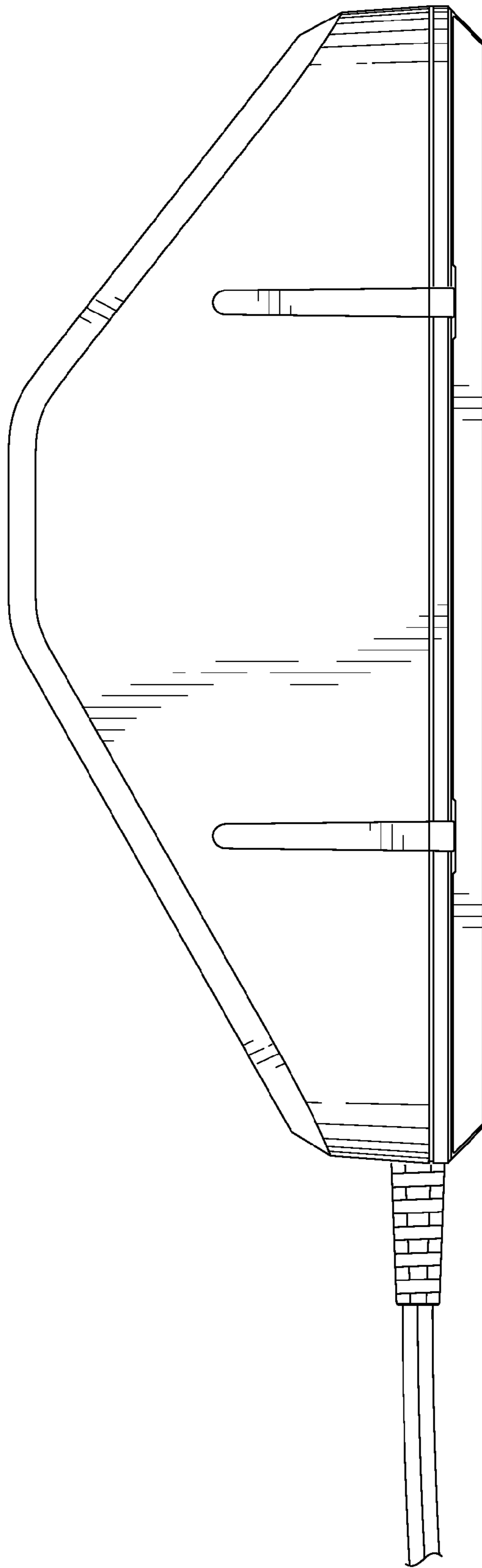


Fig. 5

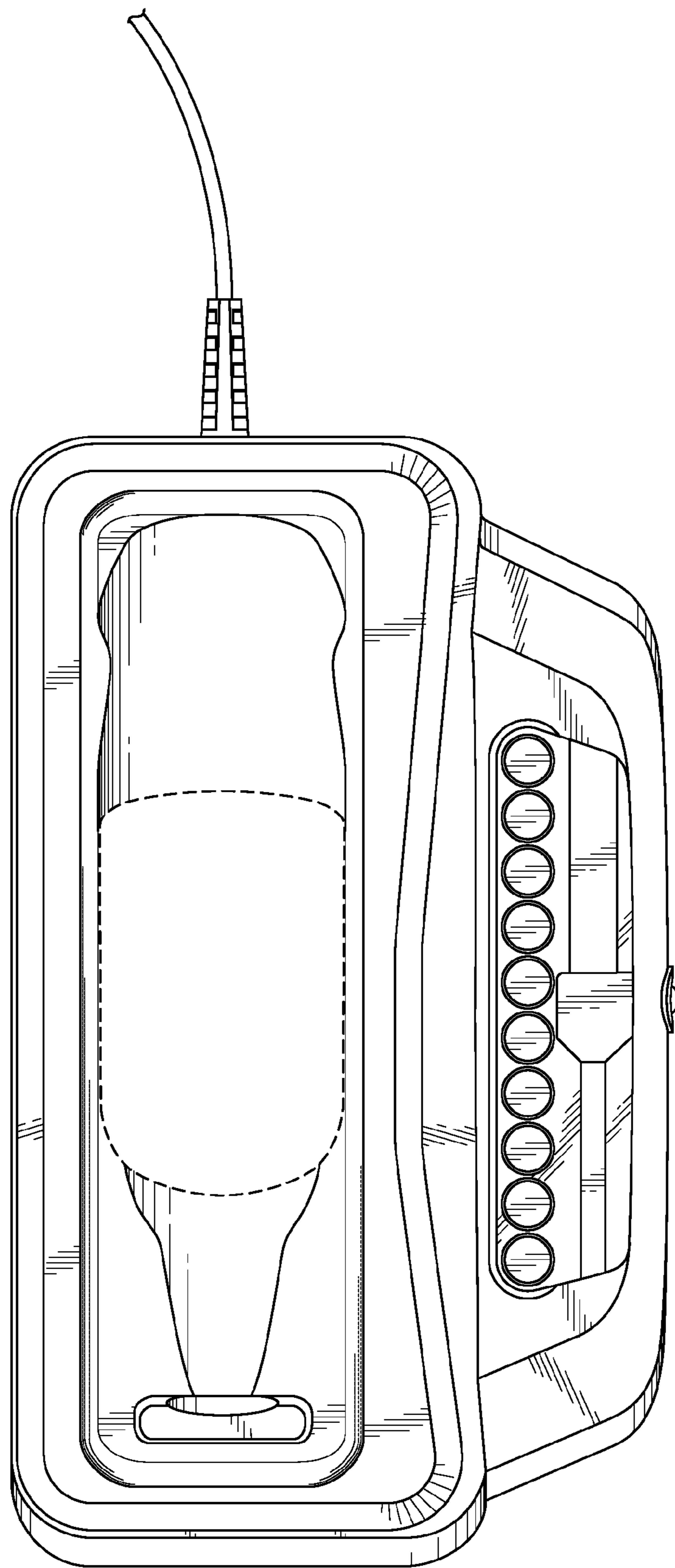


Fig. 6

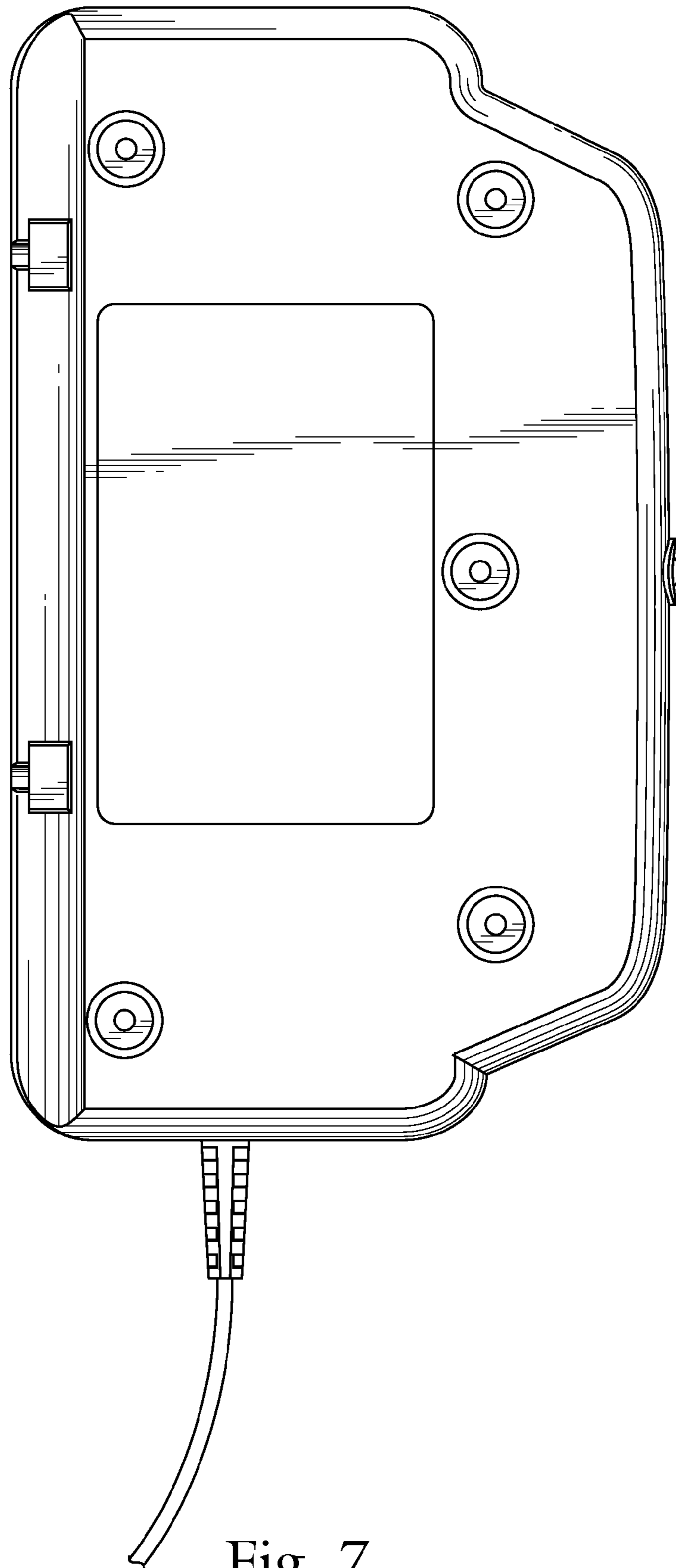


Fig. 7