



US00D611891S

(12) **United States Design Patent**  
**Ohara et al.**

(10) **Patent No.:** **US D611,891 S**

(45) **Date of Patent:** **\*\* \*Mar. 16, 2010**

(54) **TIRE FOR MOTORCYCLE**

JP

D1309420

8/2007

(75) Inventors: **Nariko Ohara**, 538-18, Ayameikemi  
7-chome, Nara-shi, Nara (JP) 631-0033;  
**Kuniaki Takamatsu**, 55, Takamatsu,  
Kaminoyama-shi, Yamagata 999-3243  
(JP)

\* cited by examiner

*Primary Examiner*—Caron Veynar

*Assistant Examiner*—George D Kirschbaum

(73) Assignees: **Nariko Ohara**, Nara-Shi, Nara (JP);  
**Kuniaki Takamatsu**, Kaminoyama-Shi,  
Yamagata (JP); **Yoshiaki Ito**,  
Nagoya-Shi, Aichi (JP); **Hideaki**  
**Kukuchi**, Osaka-Shi, Osaka (JP)

(57)

**CLAIM**

The ornamental design for a tire for motorcycle, as shown and described.

(\*) Notice: This patent is subject to a terminal disclaimer.

(\*\*) Term: **14 Years**

(21) Appl. No.: **29/290,104**

(22) Filed: **Oct. 22, 2007**

(51) **LOC (9) Cl.** ..... **12-15**

(52) **U.S. Cl.** ..... **D12/579**

(58) **Field of Classification Search** ..... D12/533-567;  
152/209.1, 209.8, 209.12, 209.18, 209.25  
See application file for complete search history.

(56) **References Cited**

U.S. PATENT DOCUMENTS

2,340,258 A \* 1/1944 Brunner ..... 152/209.12  
3,674,076 A \* 7/1972 Dailey, Jr. .... 152/209.18  
D429,480 S \* 8/2000 Bonko ..... D12/500

FOREIGN PATENT DOCUMENTS

JP D1309046 8/2007

**DESCRIPTION**

The patent or application file contains at least one drawing executed in color. Copies of this patent or patent application publication with color drawing(s) will be provided by the office upon request and payment of the necessary fee.

FIG. 1 is a front left perspective view of a tire for motorcycle showing my new design;

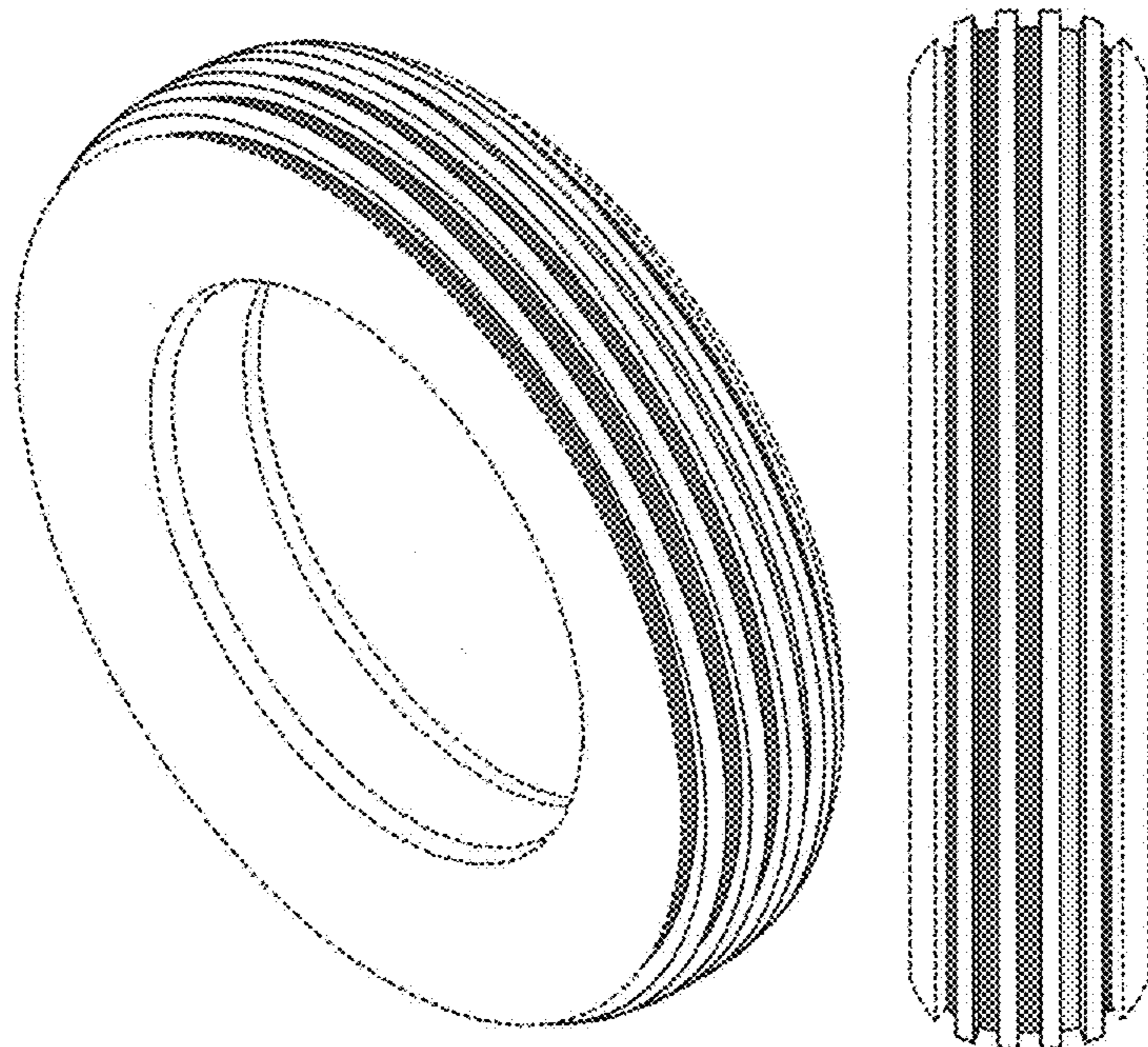
FIG. 2 is a front view thereof, a rear view being a mirror image thereof; and,

FIG. 3 is right side view thereof, a left side view being the same.

The top view and the bottom view are the same as the front view.

In the drawings, the broken lines defining the sidewall, inner bead and the tire shoulder between the outermost tread groove and the unclaimed sidewall depict environmental subject matter and the outer boundary that forms no part of the claimed design.

**1 Claim, 3 Drawing Sheets**  
**(2 of 3 Drawing Sheet(s) Filed in Color)**



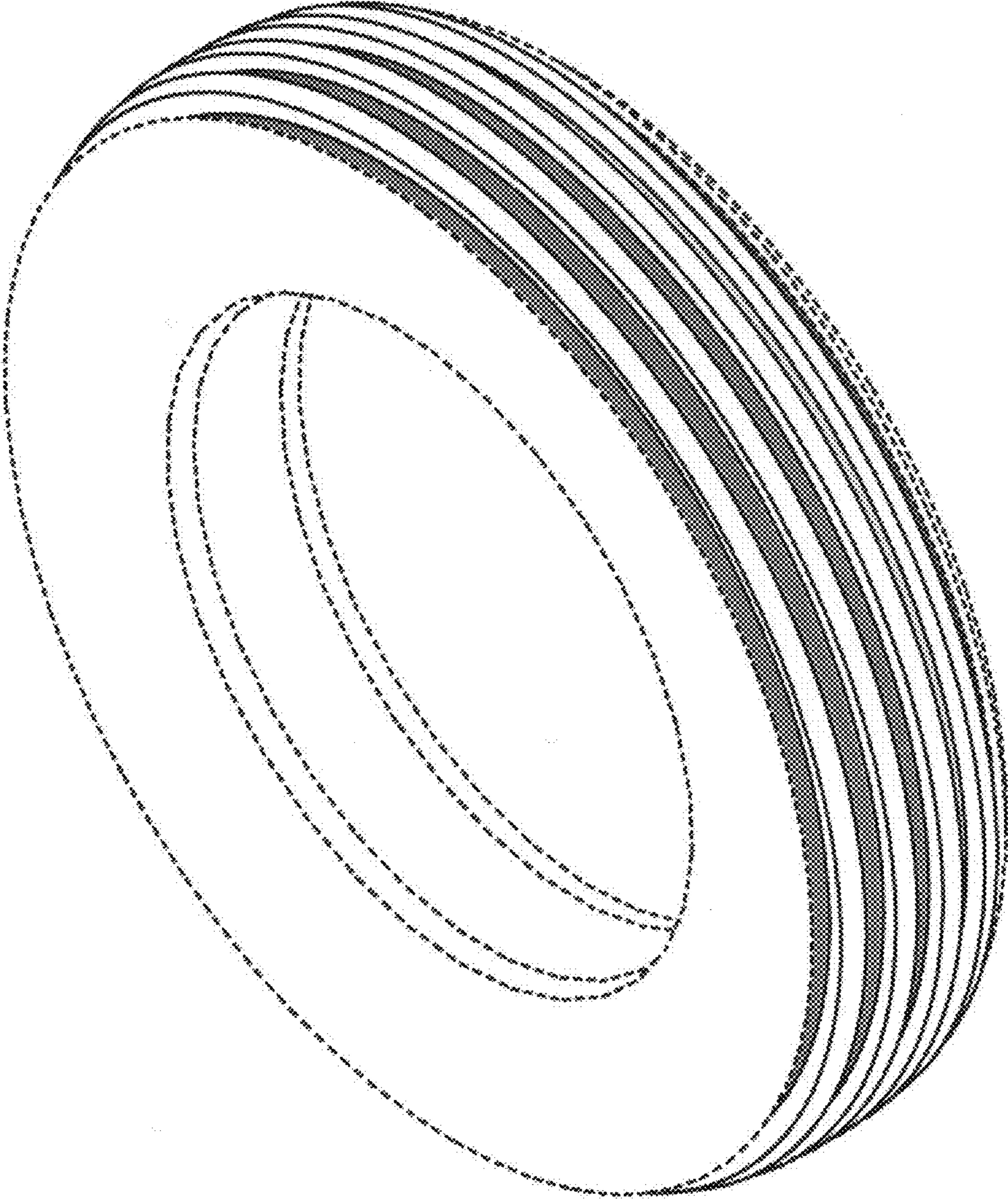


FIG. 1

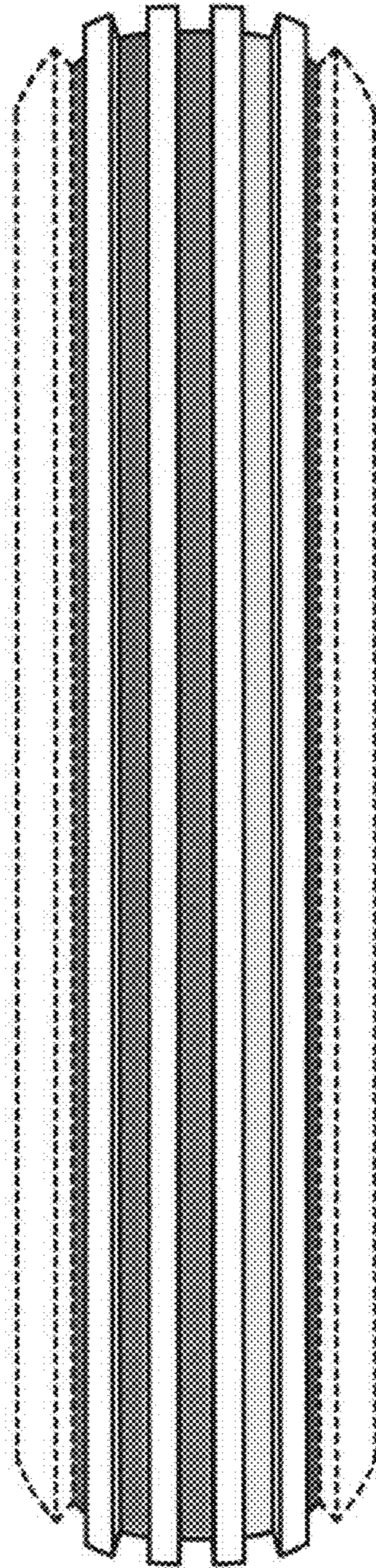


FIG. 2

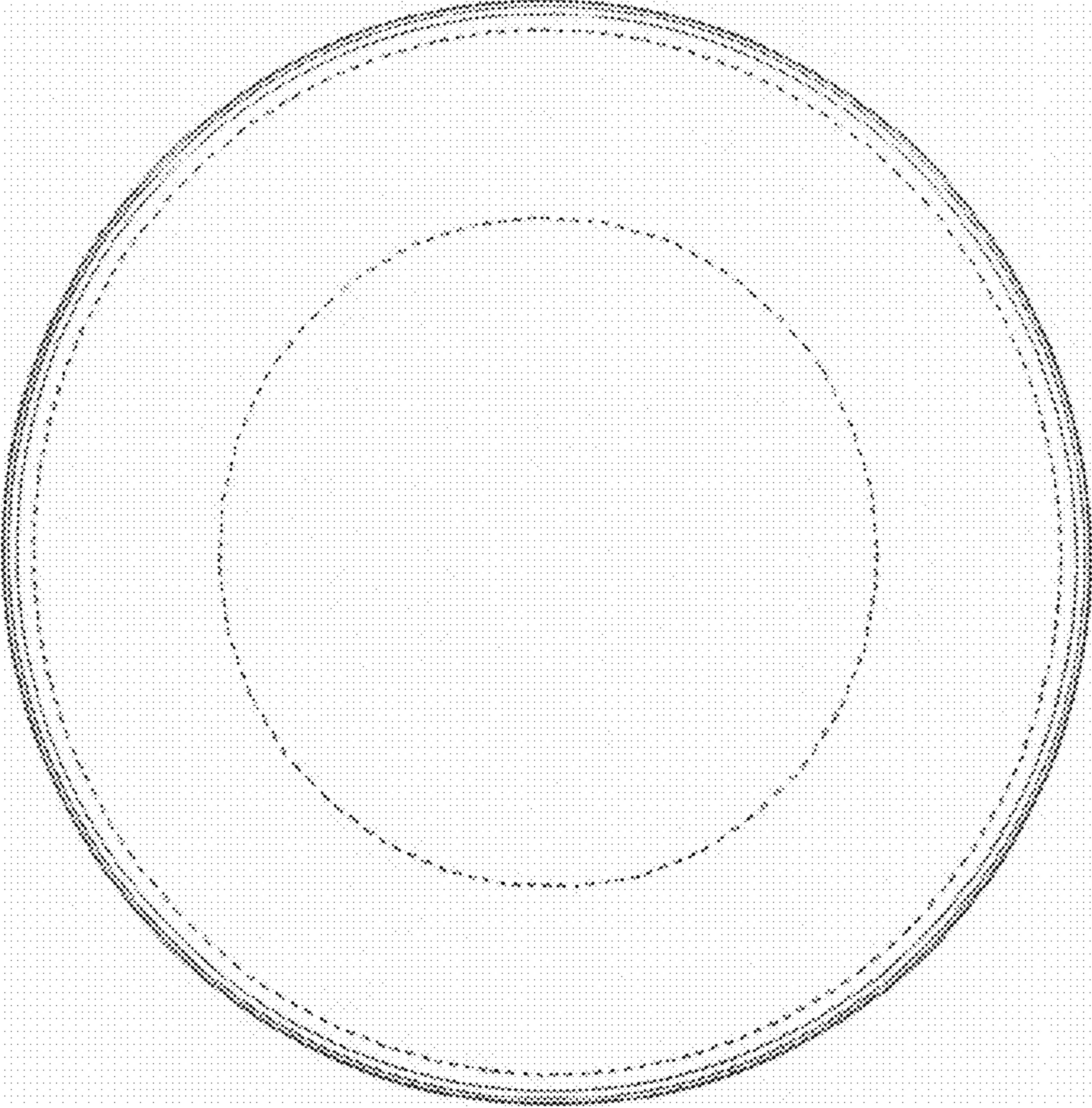


FIG. 3