



US00D611884S

(12) **United States Design Patent**
Yeung

(10) **Patent No.:** **US D611,884 S**
(45) **Date of Patent:** **** Mar. 16, 2010**

(54) **AUTOMOTIVE STEERING COLUMN COVER**

7,595,457 B2 * 9/2009 Heite et al. 200/61.54

(76) Inventor: **Winston Yeung**, 1726 Ross Road, North Vancouver, BC (CA) V7J 2V4

* cited by examiner

(**) Term: **14 Years**

Primary Examiner—Melody N Brown
(74) *Attorney, Agent, or Firm*—C. Larry Kyle; Nexus Law Group LLP

(21) Appl. No.: **29/338,095**

(22) Filed: **Jun. 4, 2009**

(57) **CLAIM**

(51) **LOC (9) Cl.** **12-16**

(52) **U.S. Cl.** **D12/177**

(58) **Field of Classification Search** D12/175–177,
D12/192, 317, 345; D10/46, 98, 102, 103,
D10/106; D15/17, 28; 73/431, 866.3; 180/90;
200/61.54–61.57, 1 R, 5 R, 51.02–51.06,
200/293, 295; 280/750–752; 296/190.01–190.09,
296/70; 362/482, 489; 439/76.1, 206, 519,
439/521, 520

The ornamental design for an automotive steering column cover, as shown and described.

See application file for complete search history.

DESCRIPTION

(56) **References Cited**

U.S. PATENT DOCUMENTS

D491,825 S	6/2004	Day et al.	
D492,213 S	6/2004	Day et al.	
D514,994 S	2/2006	Day	
7,180,020 B2 *	2/2007	Onoda et al.	200/61.54
D538,720 S *	3/2007	Yeung	D12/192
D593,913 S *	6/2009	Yeung	D12/177
D593,914 S *	6/2009	Yeung	D12/177

FIG. 1 is a front, top right perspective view of my automotive steering column cover;
FIG. 2 is a front view thereof;
FIG. 3 is a rear view thereof;
FIG. 4 is a top view thereof;
FIG. 5 is a bottom view thereof;
FIG. 6 is a right side view thereof;
FIG. 7 is a left side view thereof;
FIG. 8 is a perspective view thereof from the top rear; and,
FIG. 9 is a perspective view thereof from the bottom rear.

The broken lines showing in FIGS. 1–9 are for illustrative purposes only and form no part of the claimed design.

1 Claim, 5 Drawing Sheets

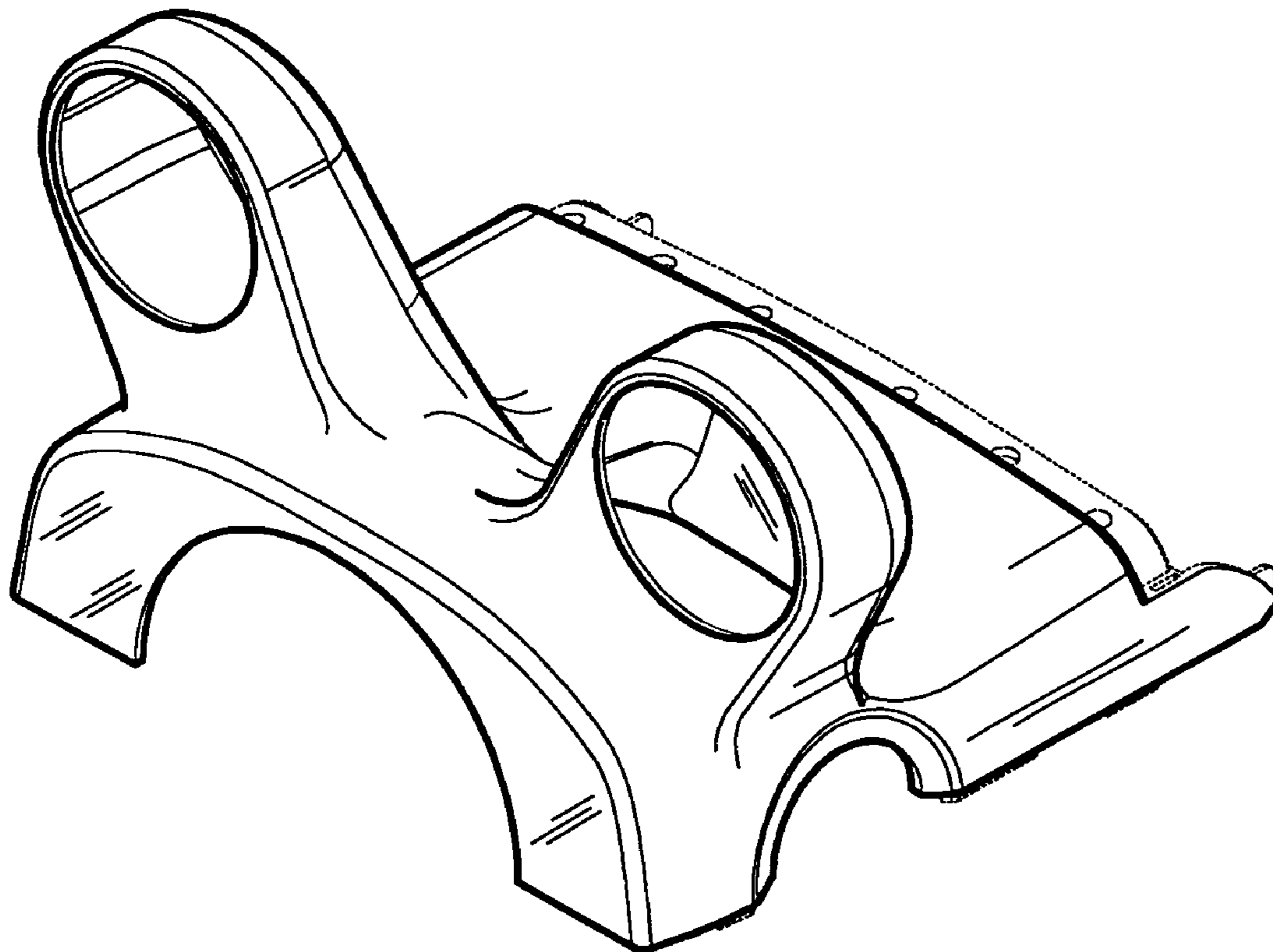


FIGURE-1

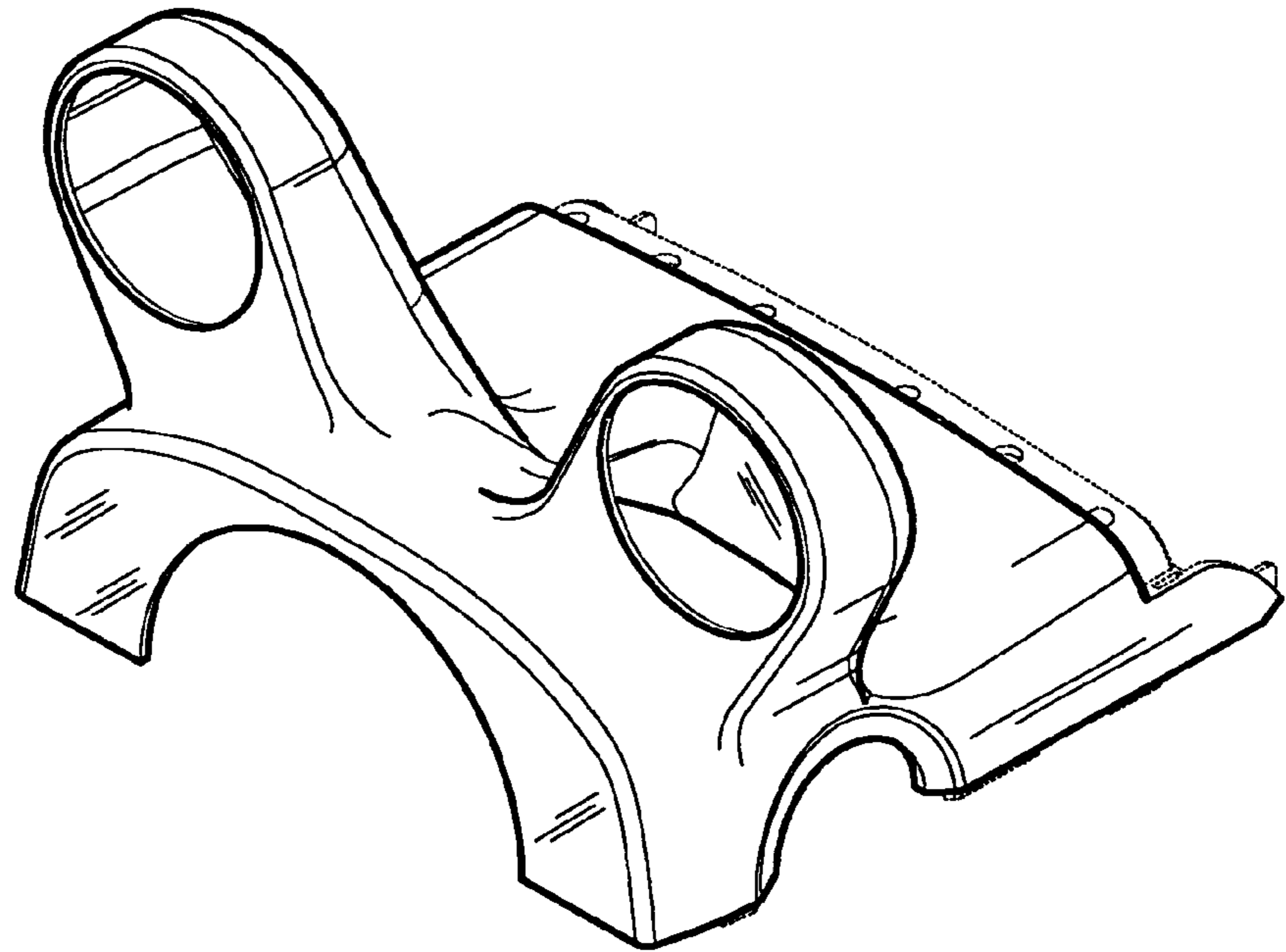


FIGURE-2

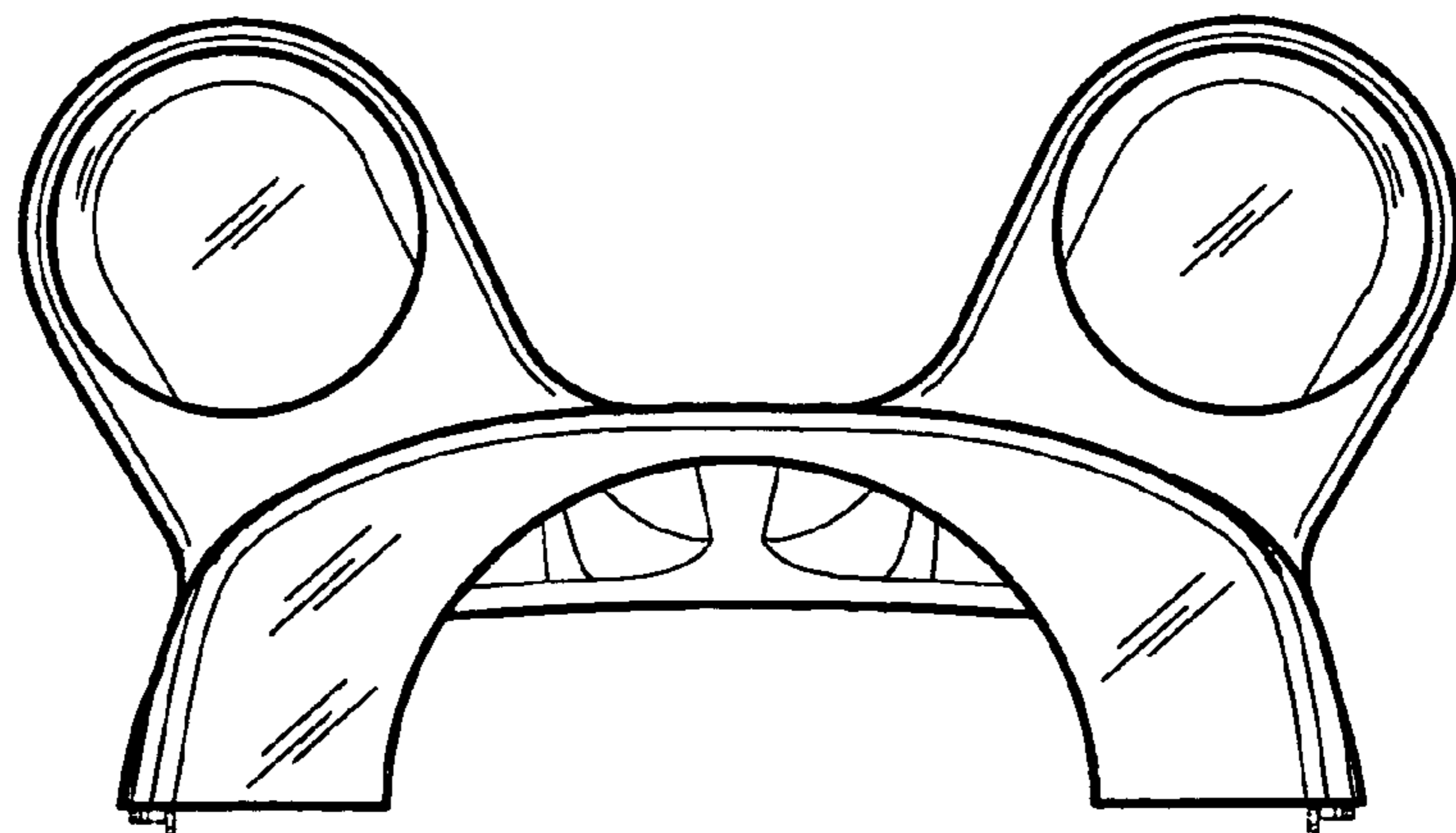


FIGURE-3

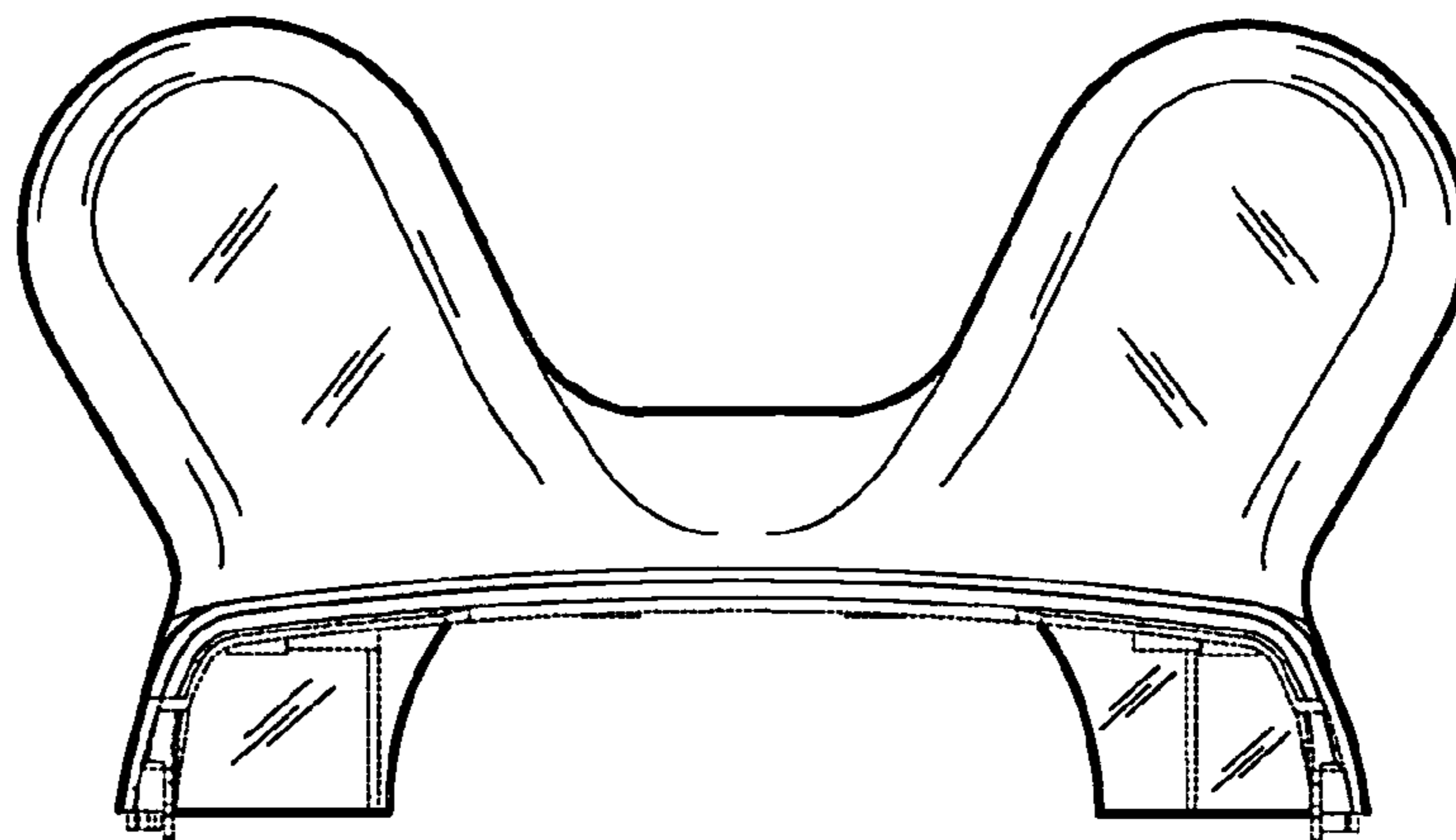


FIGURE-4

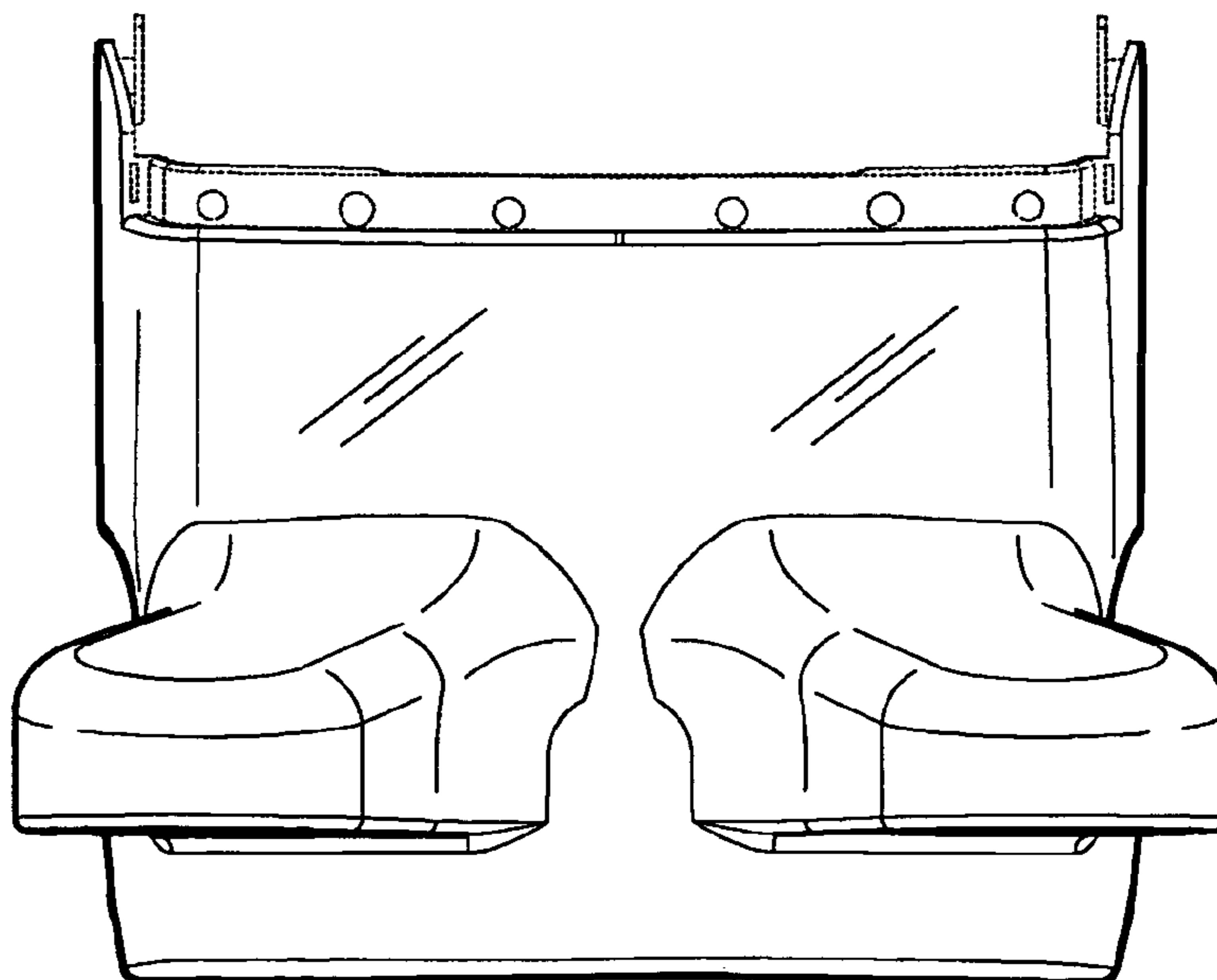


FIGURE-5

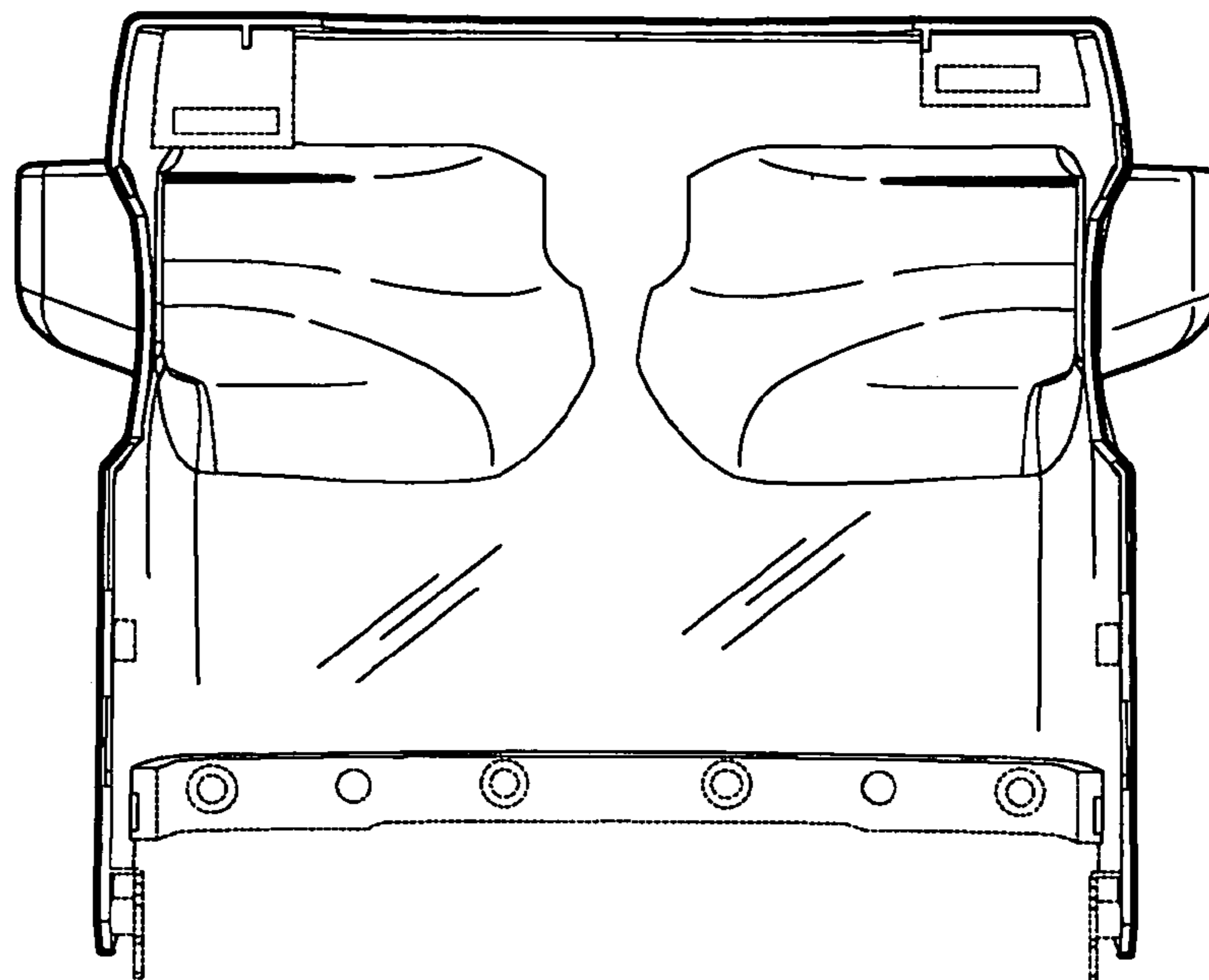


FIGURE-6

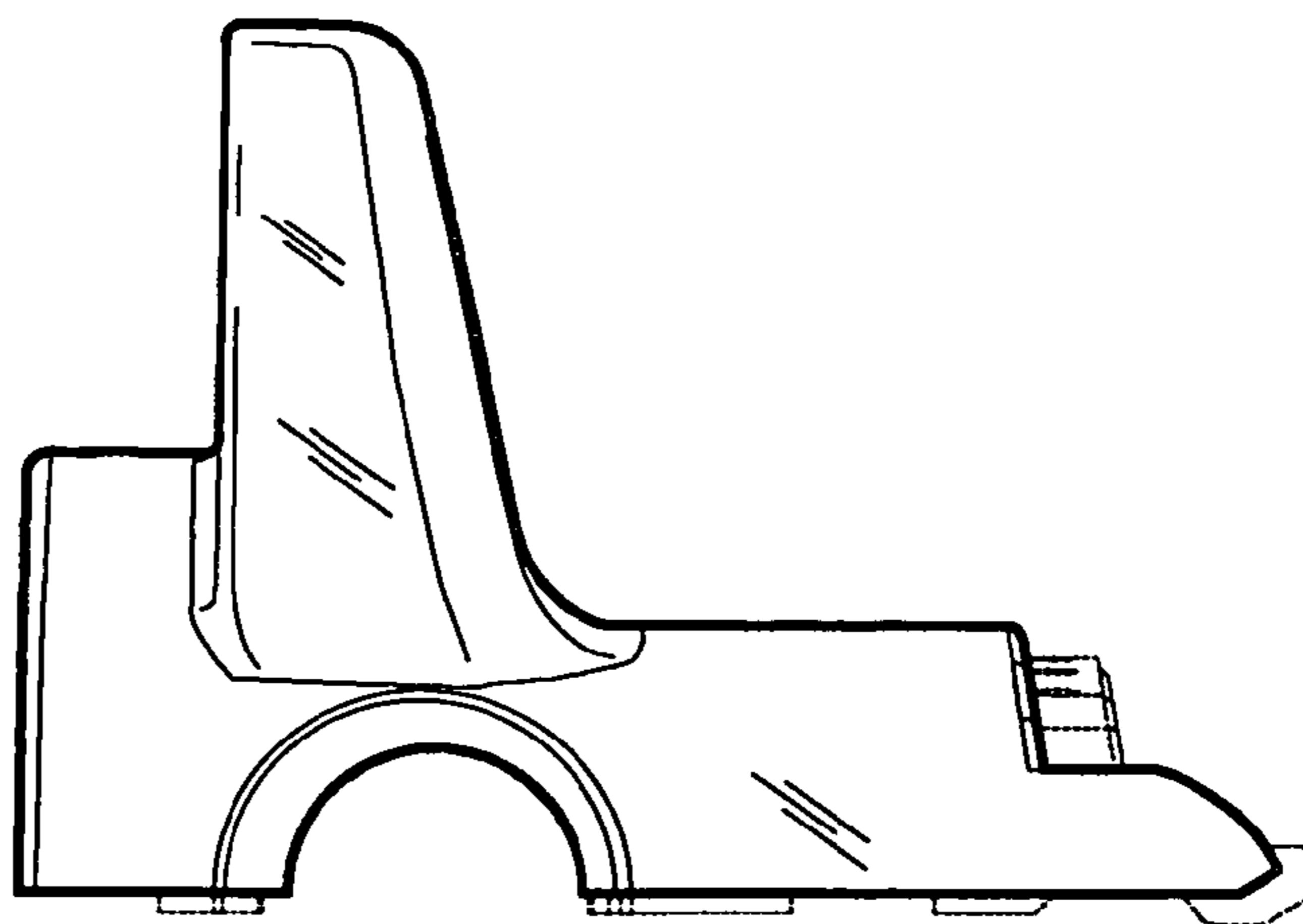


FIGURE-7

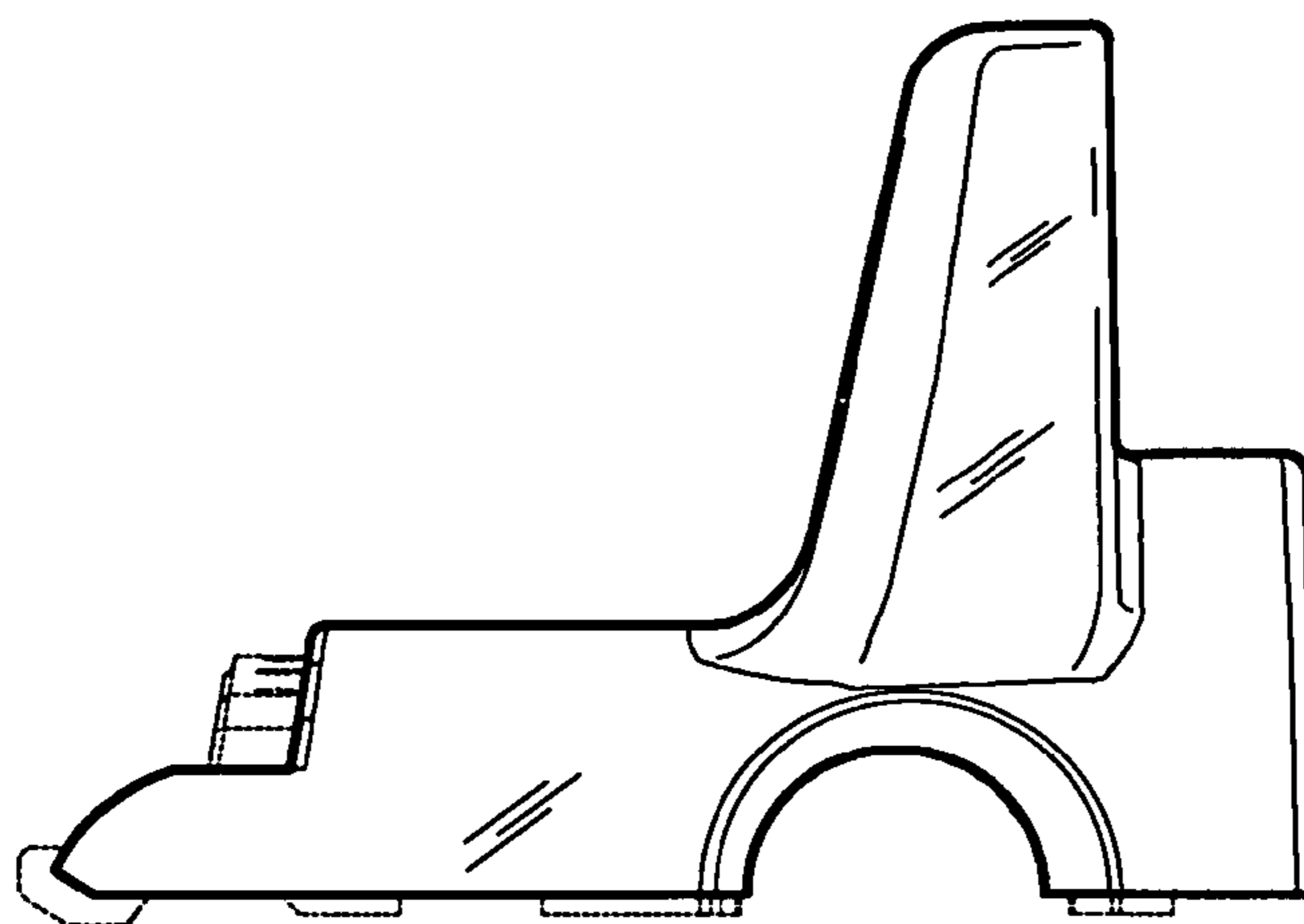


FIGURE-8

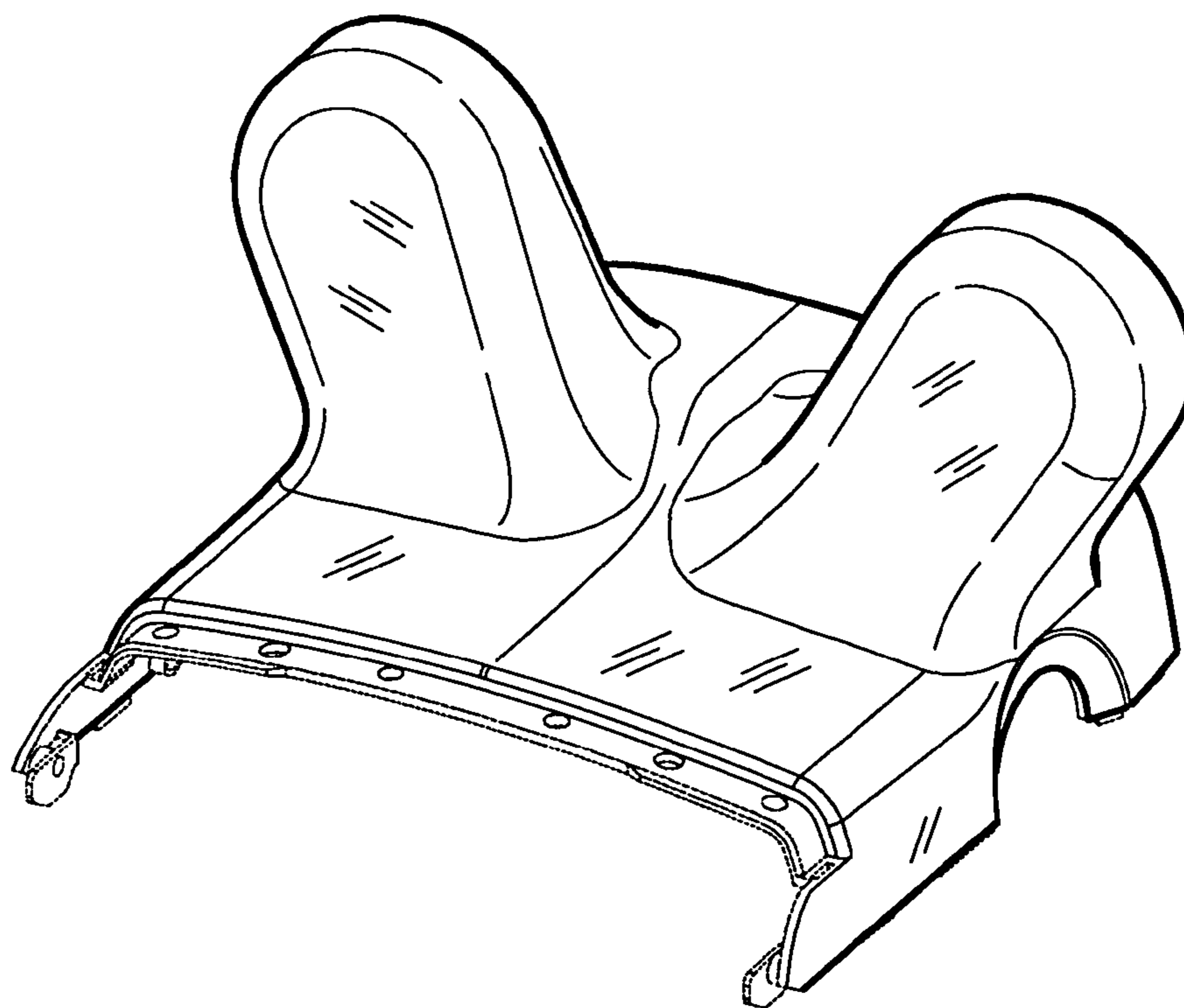


FIGURE-9

