



US00D611883S

(12) **United States Design Patent**
Holland et al.

(10) **Patent No.:** **US D611,883 S**
(45) **Date of Patent:** **** Mar. 16, 2010**

(54) **RETRACTABLE TRAILER HITCH**

(76) Inventors: **Timothy L. Holland**, 496 County Rd.
811, Higdon, AL (US) 35979; **Virginia**
Sue Clark Holland, 496 County Rd.
811, Higdon, AL (US) 35979

(**) Term: **14 Years**

(21) Appl. No.: **29/310,855**

(22) Filed: **Sep. 15, 2008**

(51) **LOC (9) Cl.** **12-16**

(52) **U.S. Cl.** **D12/162**

(58) **Field of Classification Search** D12/162,
D12/400; 224/519-521, 500-518, 522-531,
224/533-537; 280/415.1, 416.1, 416.2, 416.3,
280/477, 479.2, 483, 485-486, 490.1, 491.1,
280/491.2, 491.3, 491.5, 493-495, 498-499,
280/507, 511

See application file for complete search history.

(56) **References Cited**

U.S. PATENT DOCUMENTS

D173,549 S *	11/1954	Taylor	D12/162
D269,175 S *	5/1983	Perry et al.	D12/162
D317,426 S *	6/1991	Lytle	D12/162
5,423,566 A *	6/1995	Warrington et al.	280/415.1
5,549,316 A *	8/1996	Jones	280/477
5,735,539 A *	4/1998	Kravitz	280/506

D443,567 S *	6/2001	Weir et al.	D12/162
6,581,953 B2 *	6/2003	Jerry	280/486
6,733,029 B2 *	5/2004	McCoy et al.	280/506
6,896,282 B1 *	5/2005	McKinley	280/495
6,908,097 B2 *	6/2005	Roberts	280/507

* cited by examiner

Primary Examiner—T. Chase Nelson

Assistant Examiner—Kathleen M Sims

(74) *Attorney, Agent, or Firm*—Richard L. Mikesell

(57) **CLAIM**

The ornamental design for a retractable trailer hitch, as shown and described.

DESCRIPTION

FIG. 1 is a top right perspective view of the retractable trailer hitch showing the hitch retracted;

FIG. 2 is a top right perspective view of the retractable trailer hitch showing the hitch extended;

FIG. 3 is a bottom view of FIG. 1;

FIG. 4 is a top view thereof;

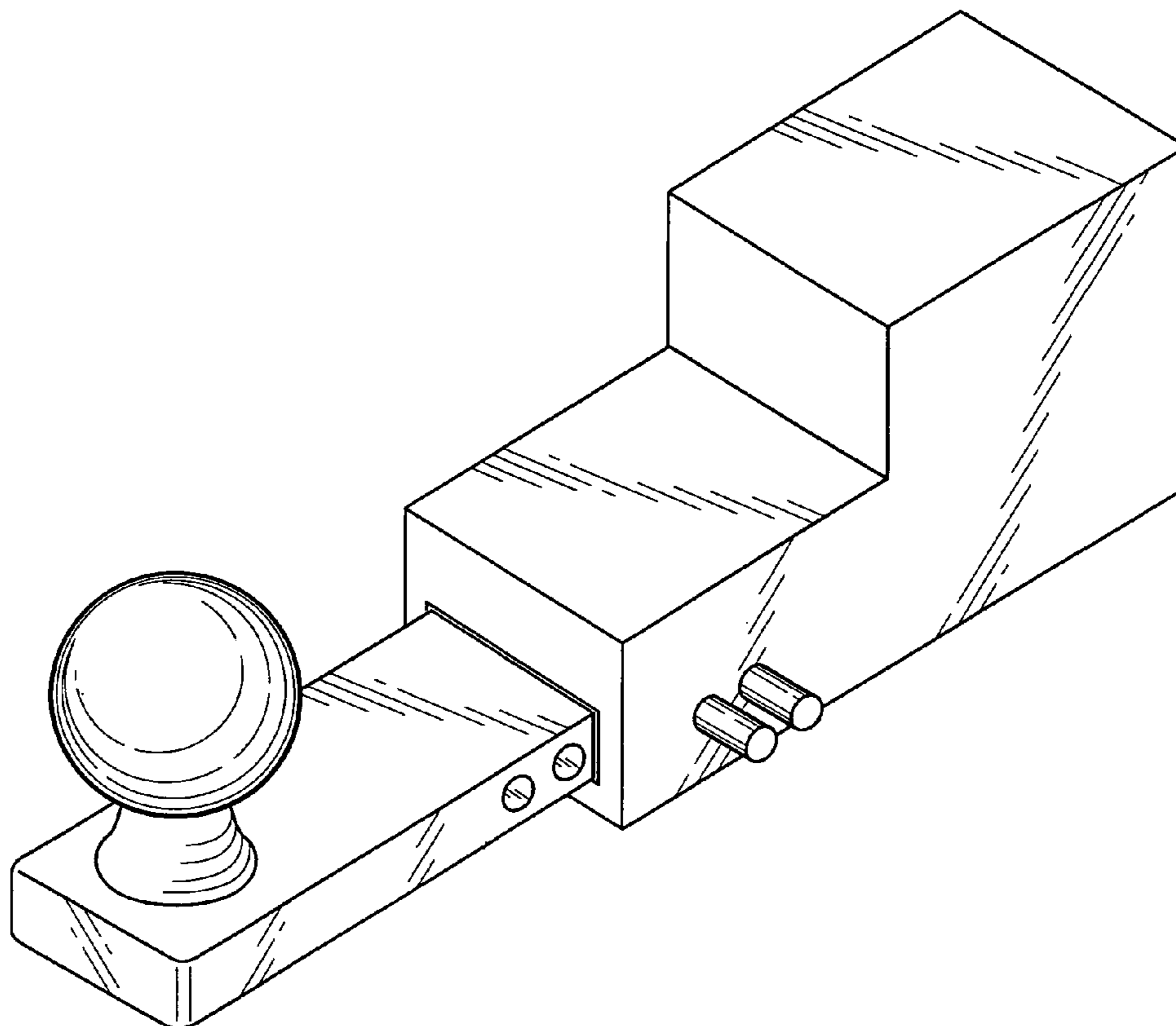
FIG. 5 is a left side view thereof;

FIG. 6 is a right side view thereof;

FIG. 7 is a front view thereof; and,

FIG. 8 is a rear view thereof.

1 Claim, 5 Drawing Sheets



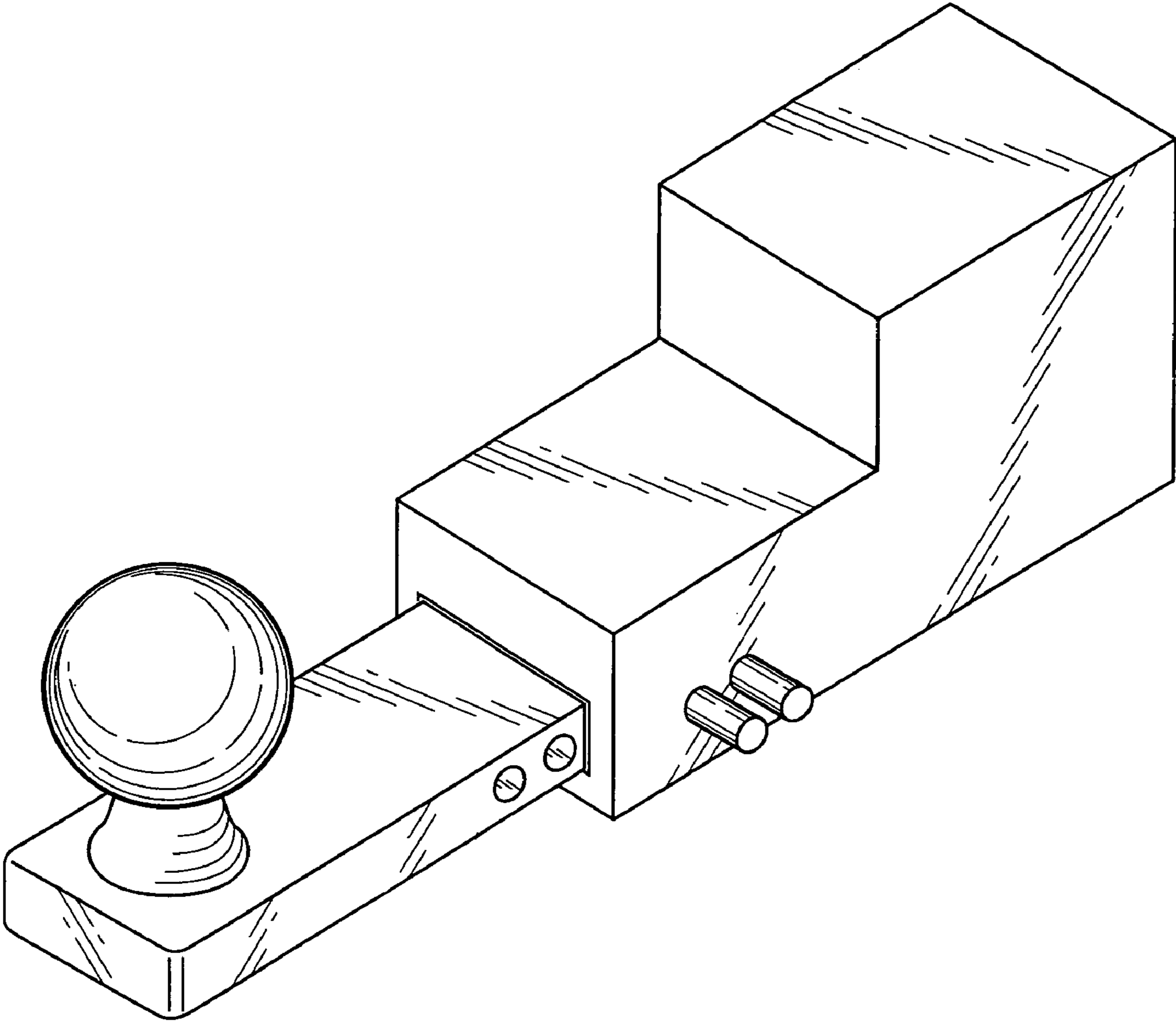


Fig. 1

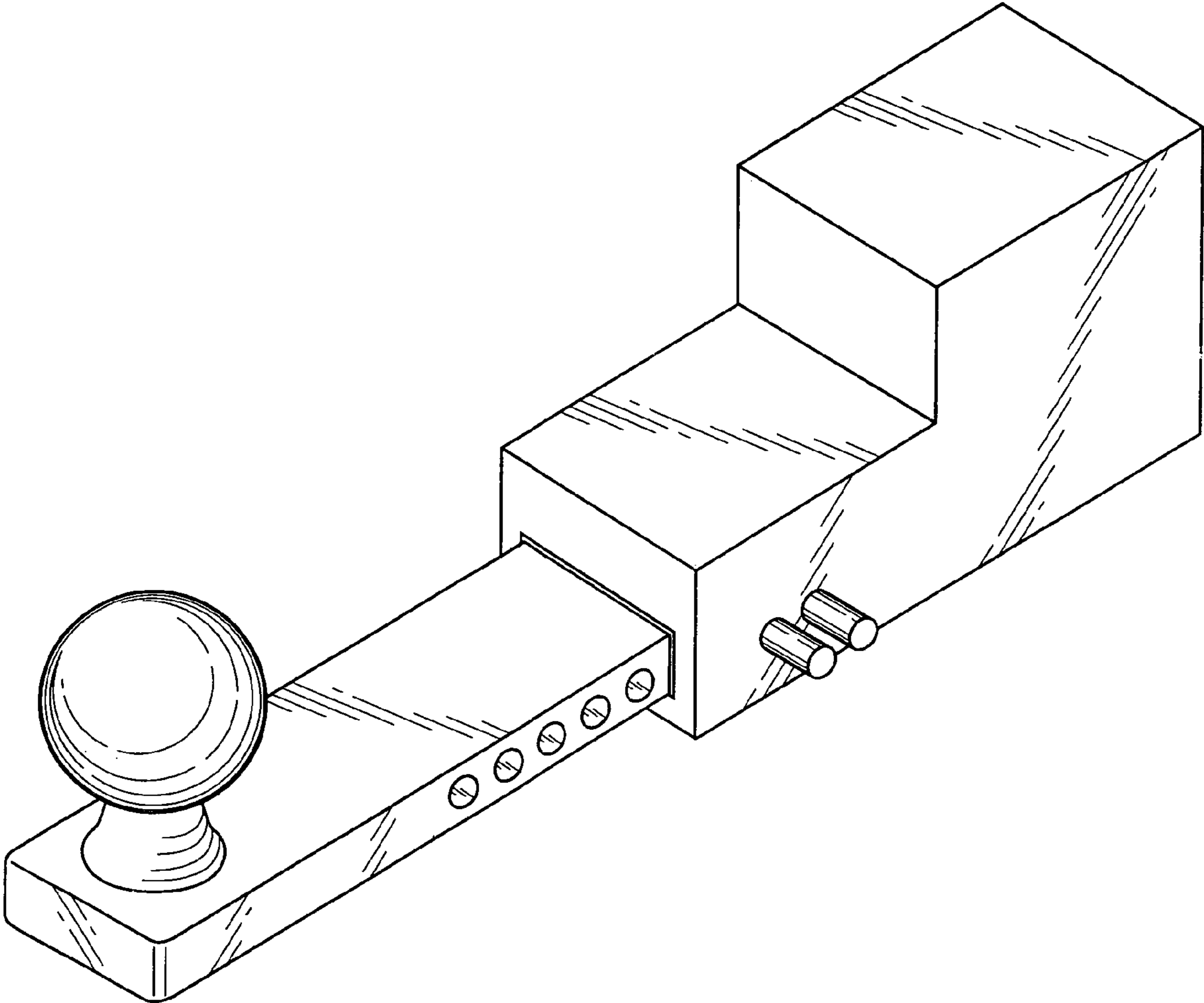


Fig. 2

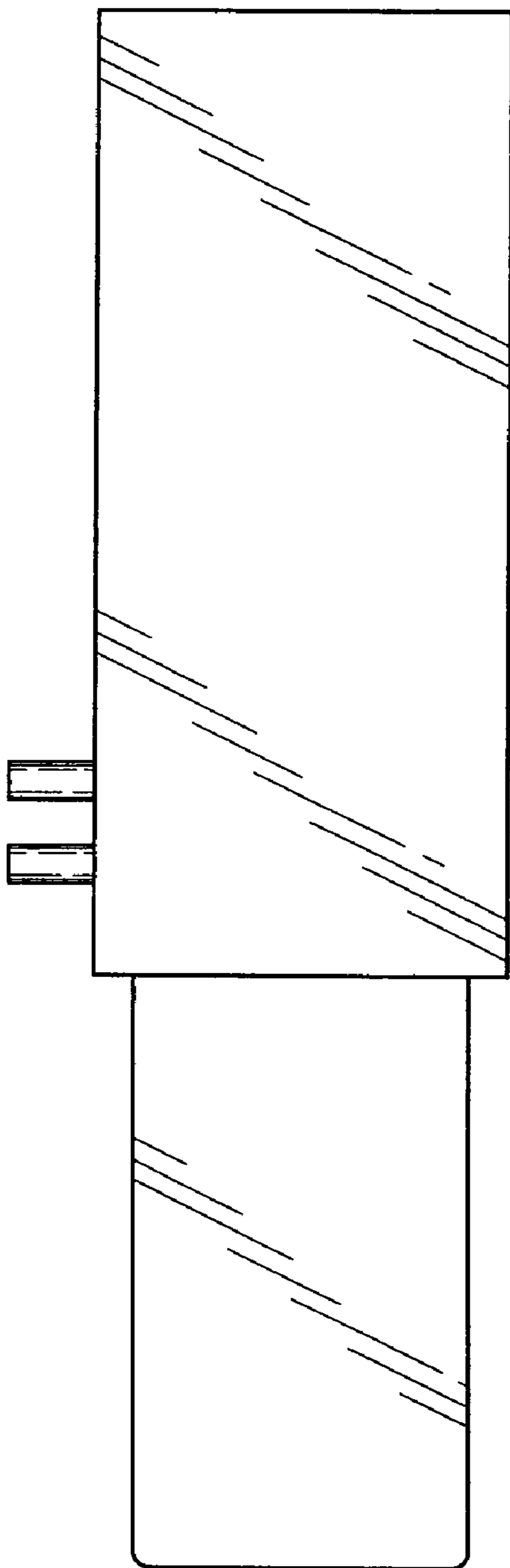


Fig. 3

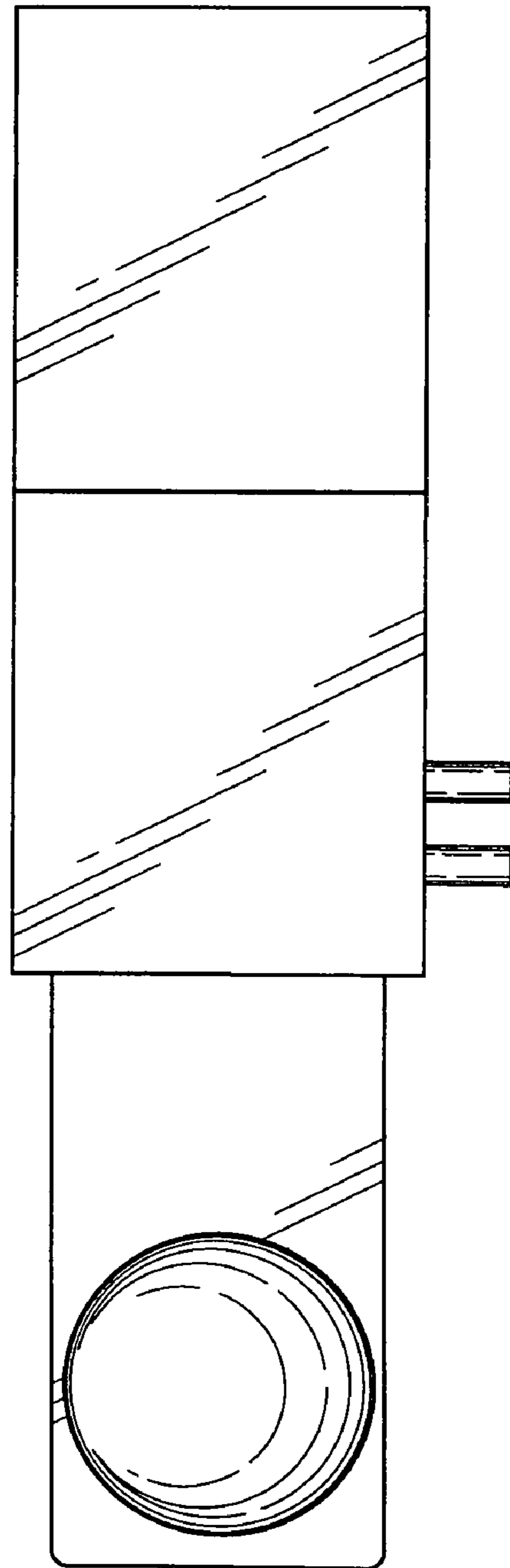


Fig. 4

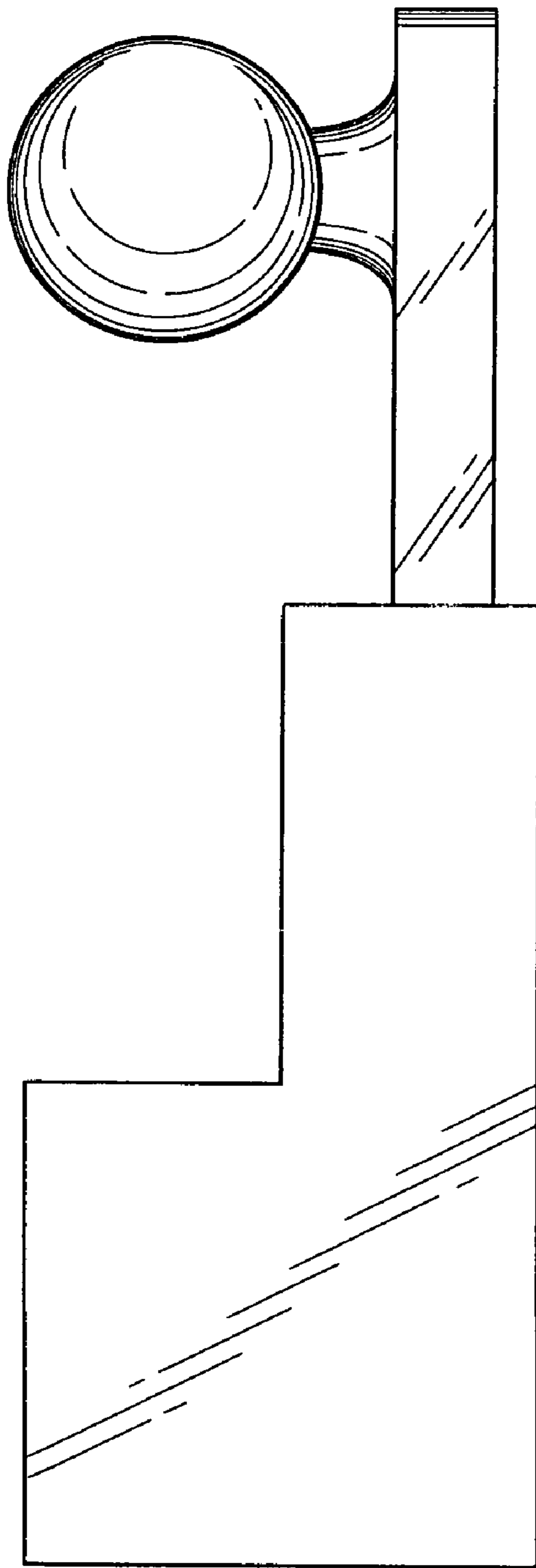


Fig. 5

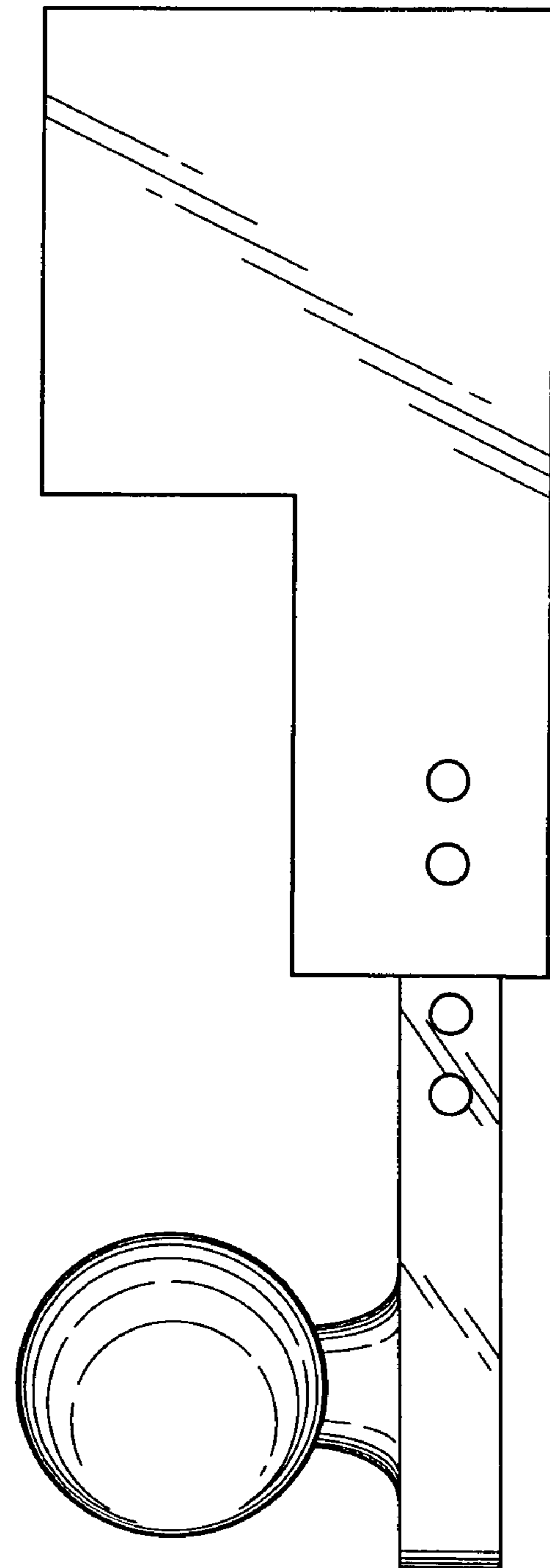


Fig. 6

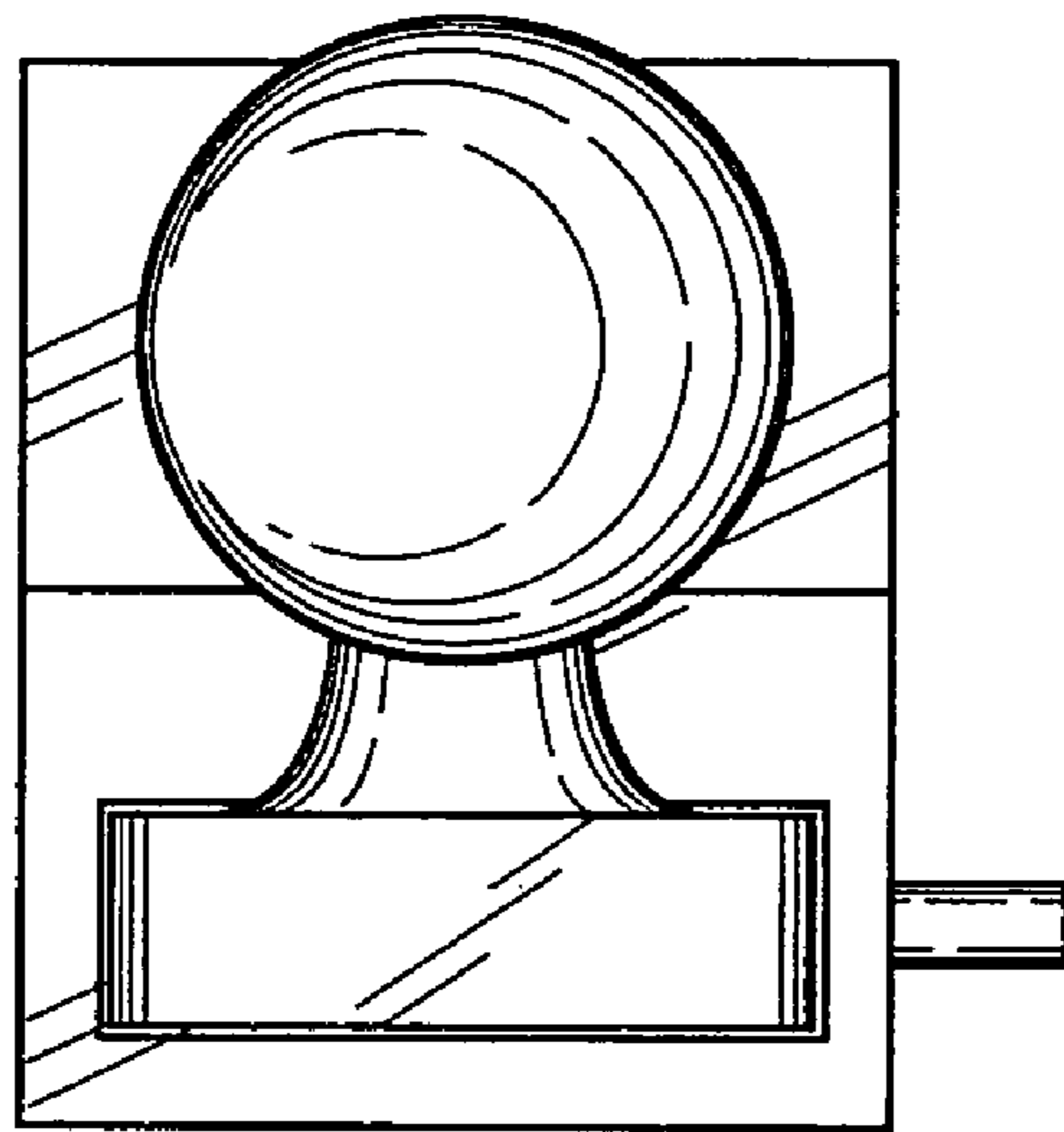


Fig. 7

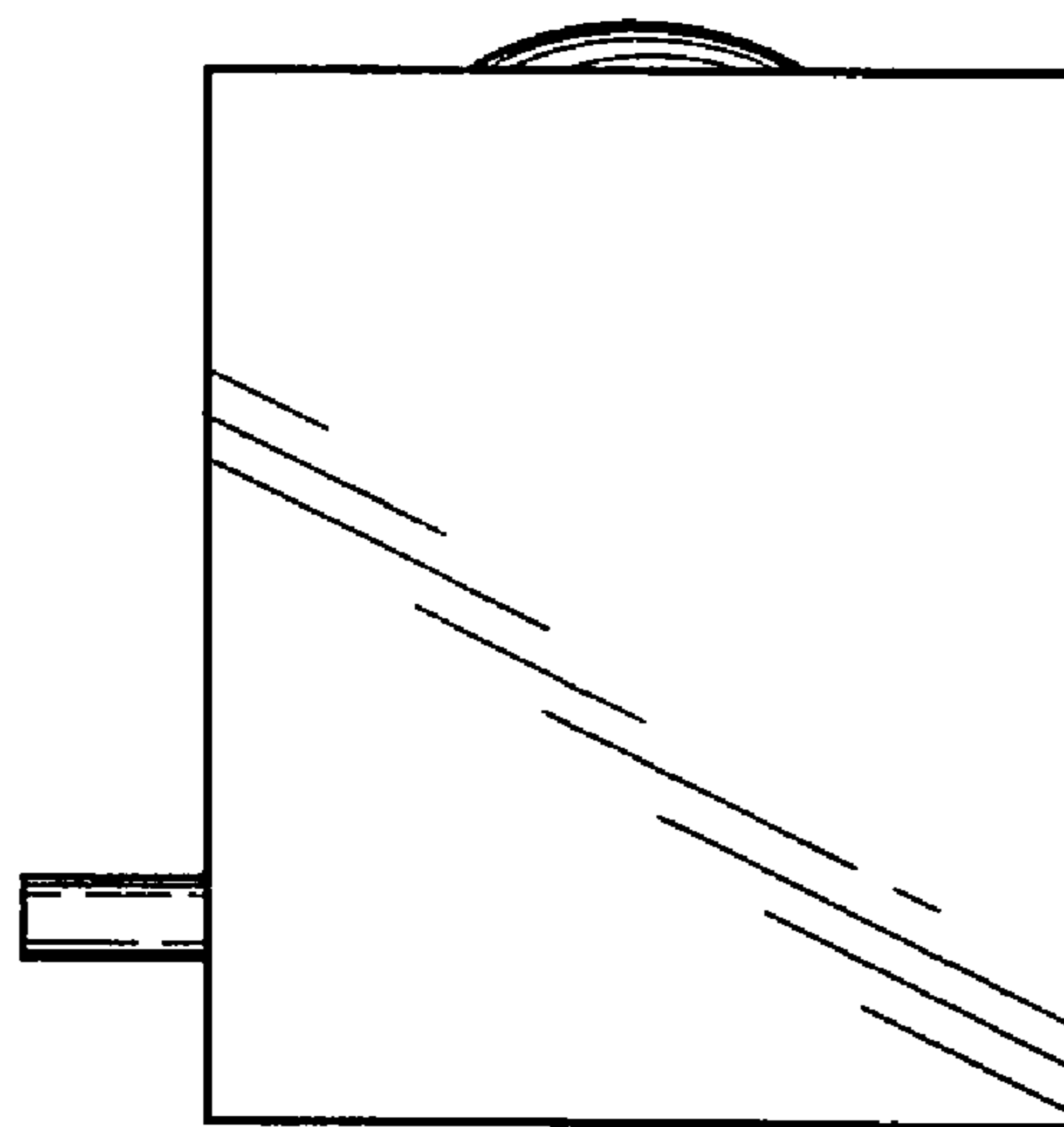


Fig. 8