



US00D611879S

(12) **United States Design Patent**  
**Kim et al.**

(10) **Patent No.:** **US D611,879 S**  
(45) **Date of Patent:** **\*\* \*Mar. 16, 2010**

(54) **VEHICLE BODY**

(75) Inventors: **Young Sun Kim**, Troy, MI (US); **A. Jelani Aliyu**, Troy, MI (US); **In Ho Song**, Troy, MI (US)

(73) Assignee: **GM Global Technology Operations, Inc.**, Detroit, MI (US)

(\*) Notice: This patent is subject to a terminal disclaimer.

(\*\*) Term: **14 Years**

(21) Appl. No.: **29/275,665**

(22) Filed: **Jan. 3, 2007**

(51) **LOC (9) Cl.** ..... **12-08**

(52) **U.S. Cl.** ..... **D12/92**

(58) **Field of Classification Search** ..... D12/12, D12/82, 85, 86, 91, 92; D21/424, 433, 434, D21/539, 548-552, 557-560; 296/181.1-186.5, 296/FOR. 109, FOR. 111

See application file for complete search history.

(56) **References Cited**

U.S. PATENT DOCUMENTS

D534,221 S *	12/2006	Hill et al. ....	D21/433
D568,213 S *	5/2008	Platto et al. ....	D12/92
D574,752 S *	8/2008	van Braeckel ....	D12/92

\* cited by examiner

*Primary Examiner*—Antoine D Davis

(57) **CLAIM**

The ornamental design for a vehicle body, as shown and described.

**DESCRIPTION**

FIG. 1 is a front view of a vehicle body showing the new design;

FIG. 2 is a front perspective view thereof;

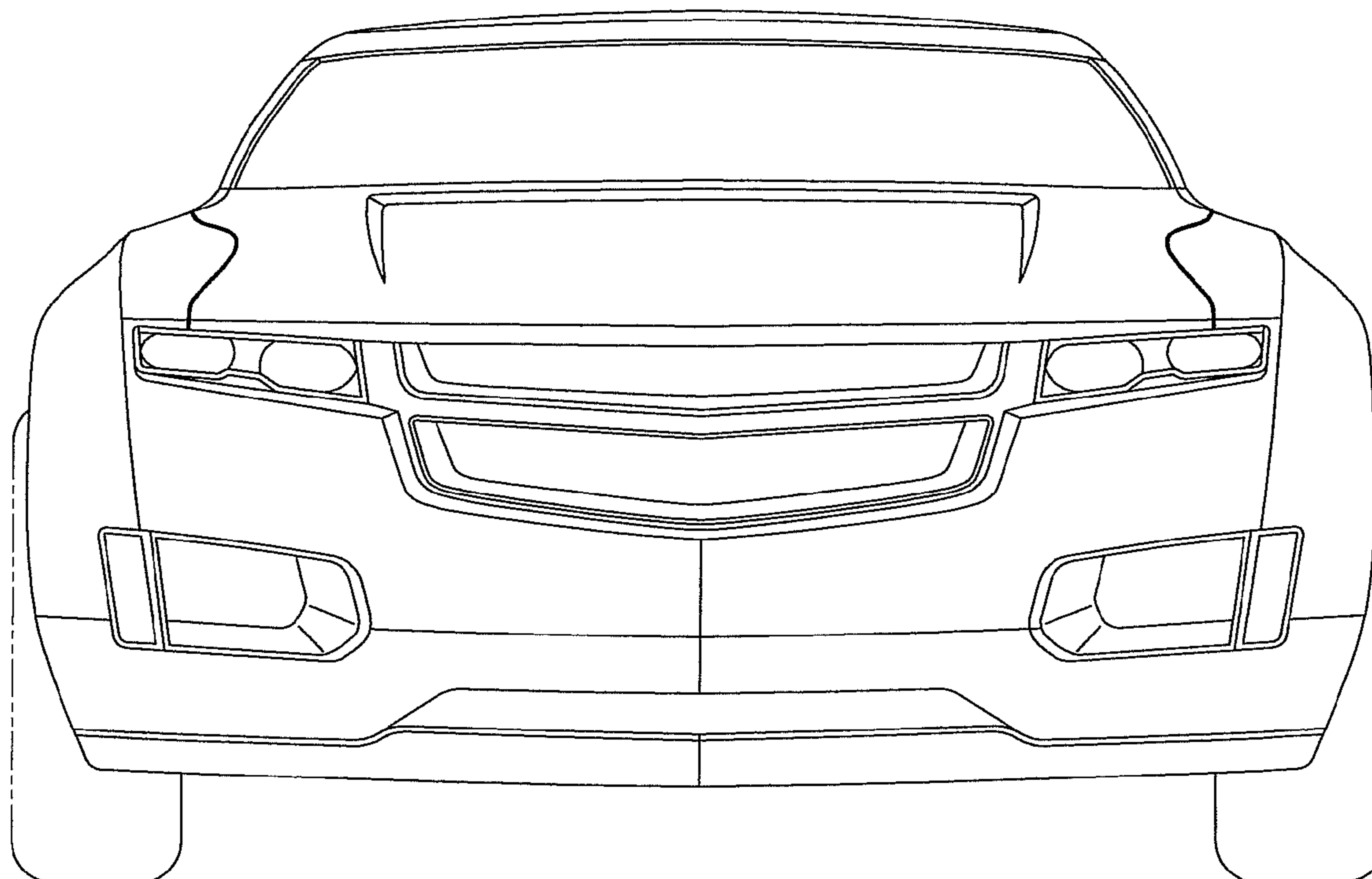
FIG. 3 is a side view of the new design, the other side being a mirror image thereof;

FIG. 4 is a rear perspective view thereof; and,

FIG. 5 is a rear view thereof.

The broken line showing of the grille, tires, wheels, emblems, exhaust pipes and written matter is included for the purpose of illustrating non-claimed subject matter and forms no part of the claimed design.

**1 Claim, 5 Drawing Sheets**



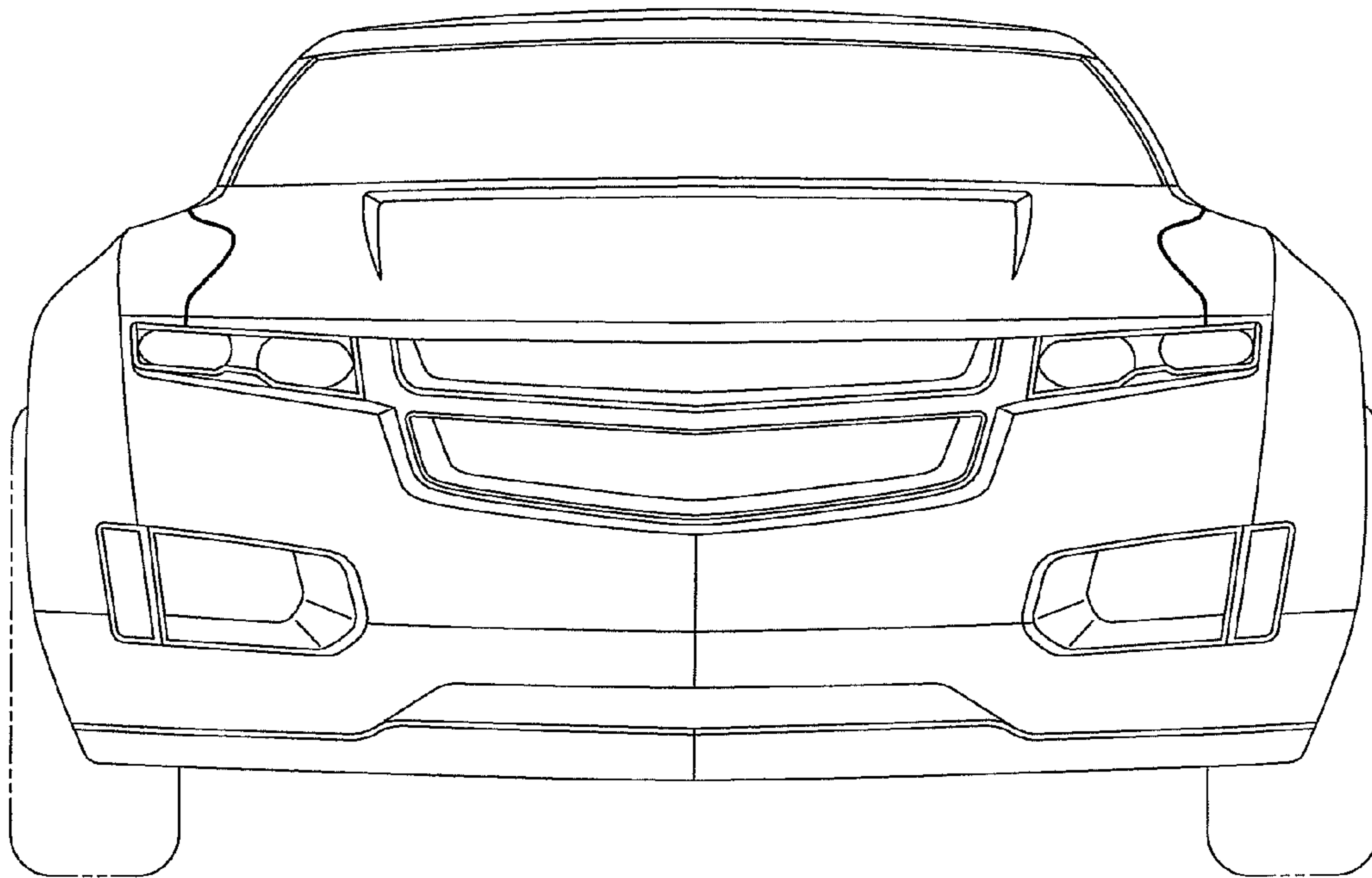


Fig-1

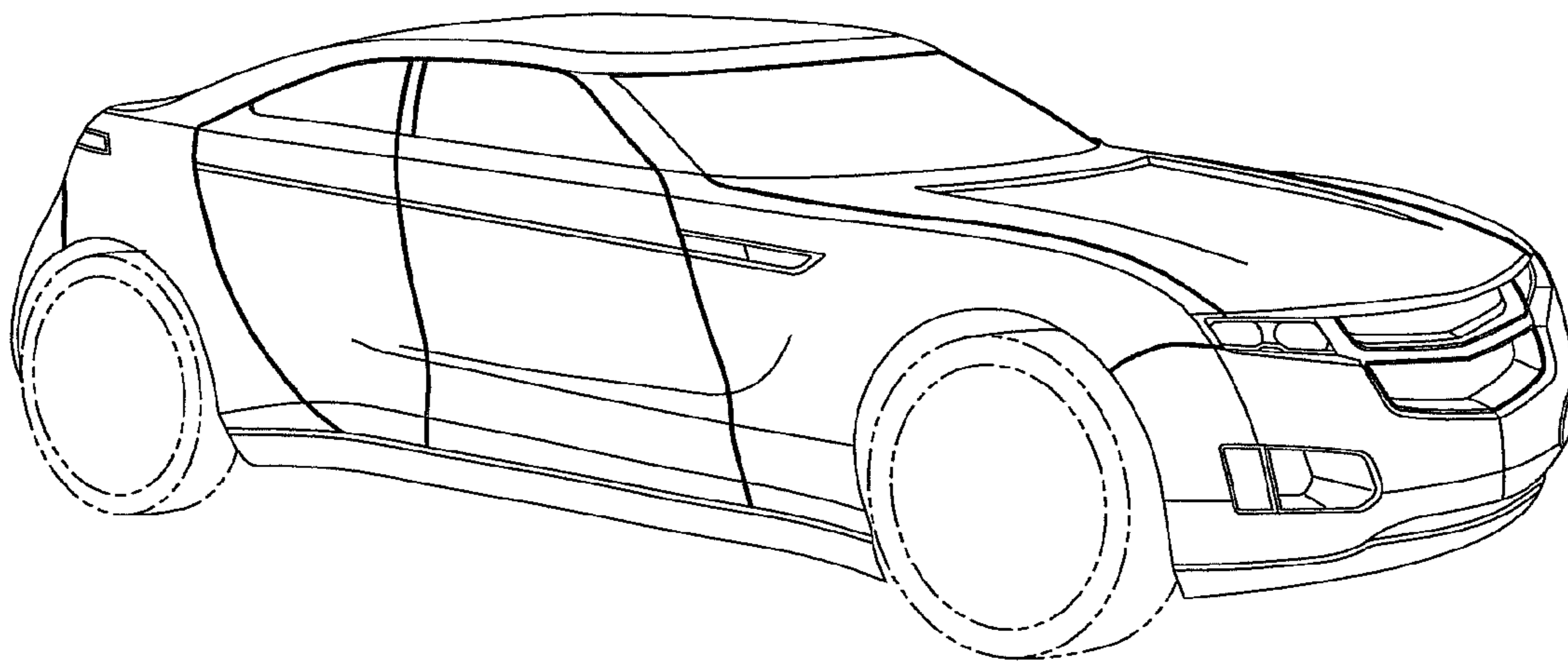


Fig-2

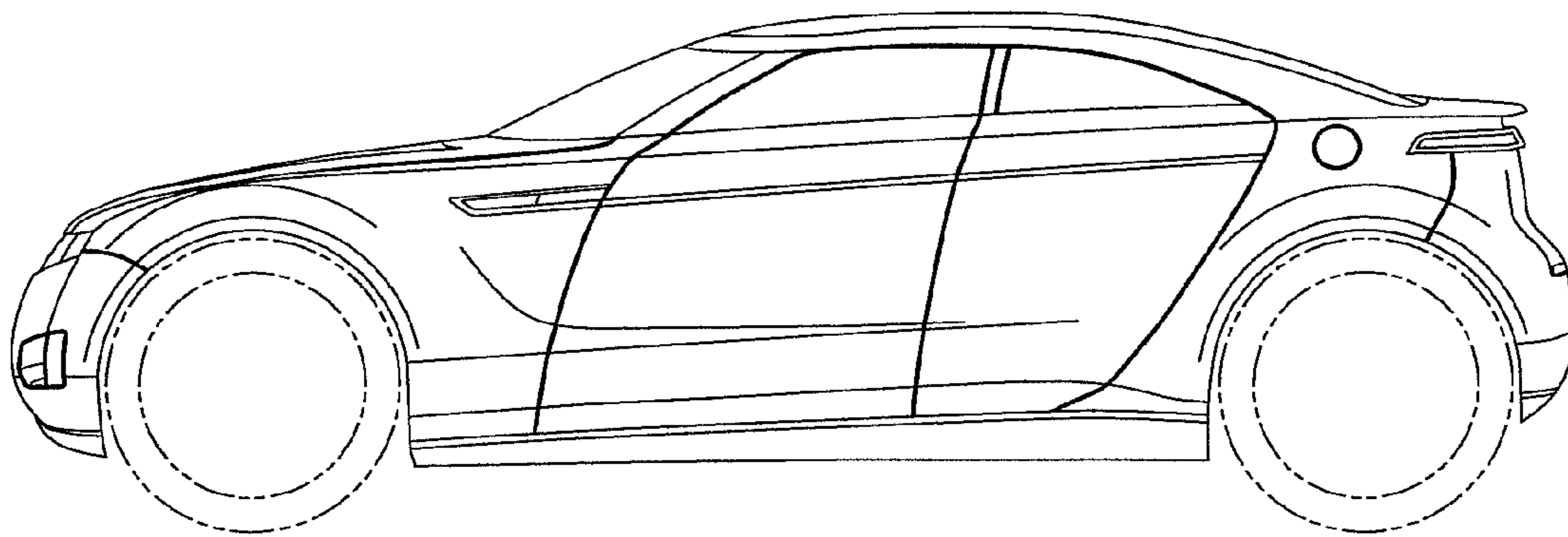


Fig-3

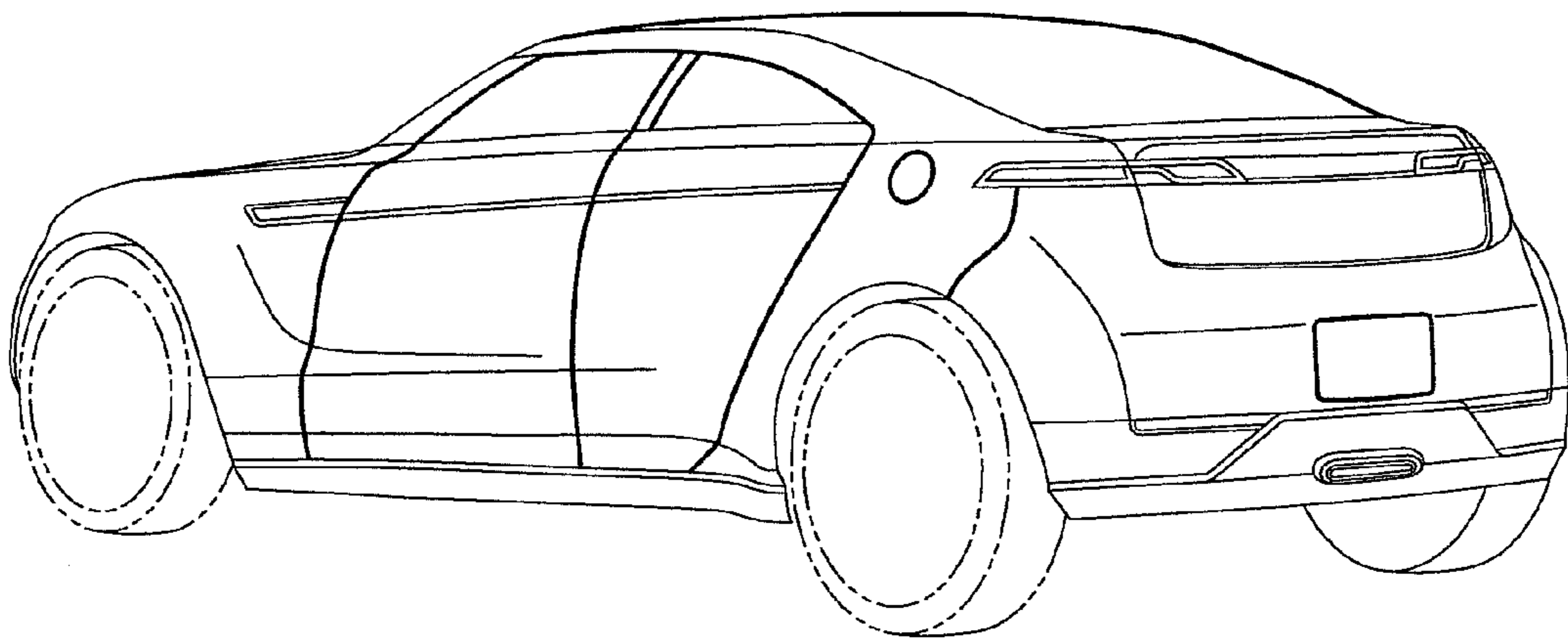


Fig-4

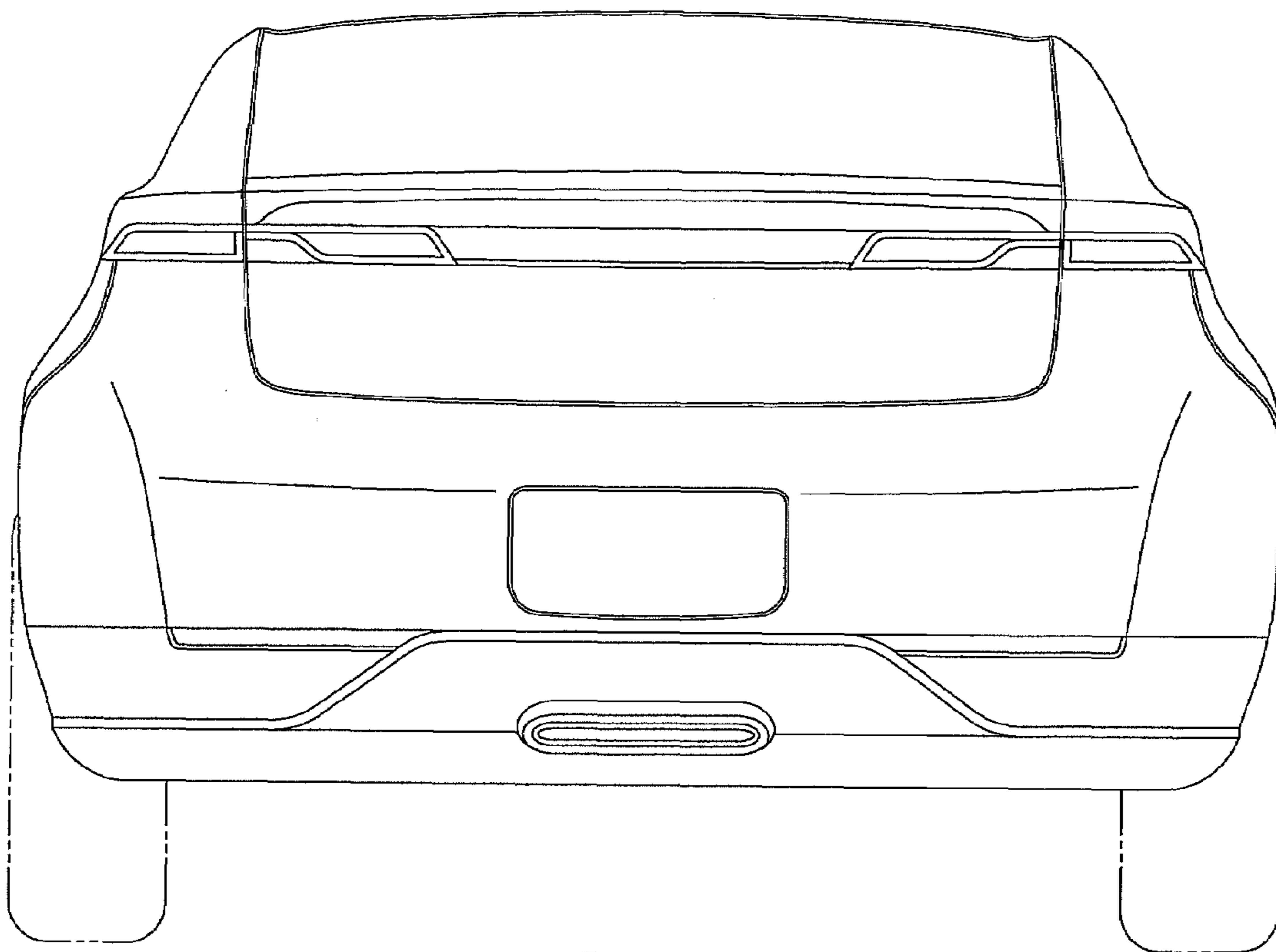


Fig-5