



US00D611873S

(12) **United States Design Patent**
Wolfgang

(10) **Patent No.:** **US D611,873 S**
(45) **Date of Patent:** **** Mar. 16, 2010**

(54) **WATCH STRAP CLASP**

(75) Inventor: **Sima Wolfgang**, Keutschach (AT)
(73) Assignee: **Hirsch Armbander GmbH**, Klagenfurt (AT)
(**) Term: **14 Years**
(21) Appl. No.: **29/343,064**
(22) Filed: **Sep. 4, 2009**

Related U.S. Application Data

(62) Division of application No. 29/261,480, filed on Jun. 15, 2006.

(30) **Foreign Application Priority Data**

Dec. 15, 2005 (EM) 000452198-0001
Dec. 15, 2005 (EM) 000452198-0002
Dec. 15, 2005 (EM) 000452198-0003
Dec. 15, 2005 (EM) 000452198-0004
Dec. 15, 2005 (EM) 000507371-0001
Dec. 15, 2005 (EM) 000507371-0002
Dec. 15, 2005 (EM) 000507371-0003
Dec. 15, 2005 (EM) 000507371-0004

(51) **LOC (9) Cl.** **11-01**
(52) **U.S. Cl.** **D11/94**
(58) **Field of Classification Search** D11/89-94,
D11/1, 2, 3, 6-12, 16, 24-28, 34-43, 79,
D11/70, 222, 47, 75; 63/1.11-14.1, 13, 15-15.4,
63/20, 22, 23, 26-33; D10/30, 32
See application file for complete search history.

(56) **References Cited**

U.S. PATENT DOCUMENTS

D319,192 S 8/1991 Beitz
D320,356 S 10/1991 Boyer et al.
D330,166 S 10/1992 Park
D344,468 S 2/1994 Kaneko
D352,007 S 11/1994 Boucheron
D352,468 S 11/1994 Kaneko

D382,214 S * 8/1997 Liao D10/32
D390,477 S 2/1998 Brzezinski
D399,760 S 10/1998 Riley
D402,565 S 12/1998 Sato et al.
D419,892 S 2/2000 Bulgari
D423,949 S 5/2000 Stoll
D449,998 S 11/2001 Butler
D451,406 S 12/2001 Giardiello
D459,238 S 6/2002 Wunderman
D473,470 S 4/2003 Nussbaum
D473,471 S 4/2003 Rufenacht
D475,316 S * 6/2003 Skiles D11/1
D492,208 S 6/2004 Dias
D493,728 S * 8/2004 Modolo D10/32
D510,282 S * 10/2005 Modolo D10/32
D519,853 S * 5/2006 Sirmakes D10/32
7,043,939 B2 * 5/2006 Imahashi 63/3.1
D524,173 S * 7/2006 Mouquet D10/32
D530,228 S * 10/2006 Senggen et al. D10/32
D551,095 S * 9/2007 Monachon D10/32
D551,574 S * 9/2007 Lassigne D10/32

(Continued)

Primary Examiner—T. Chase Nelson
Assistant Examiner—David G Muller
(74) *Attorney, Agent, or Firm*—Dickstein Shapiro LLP

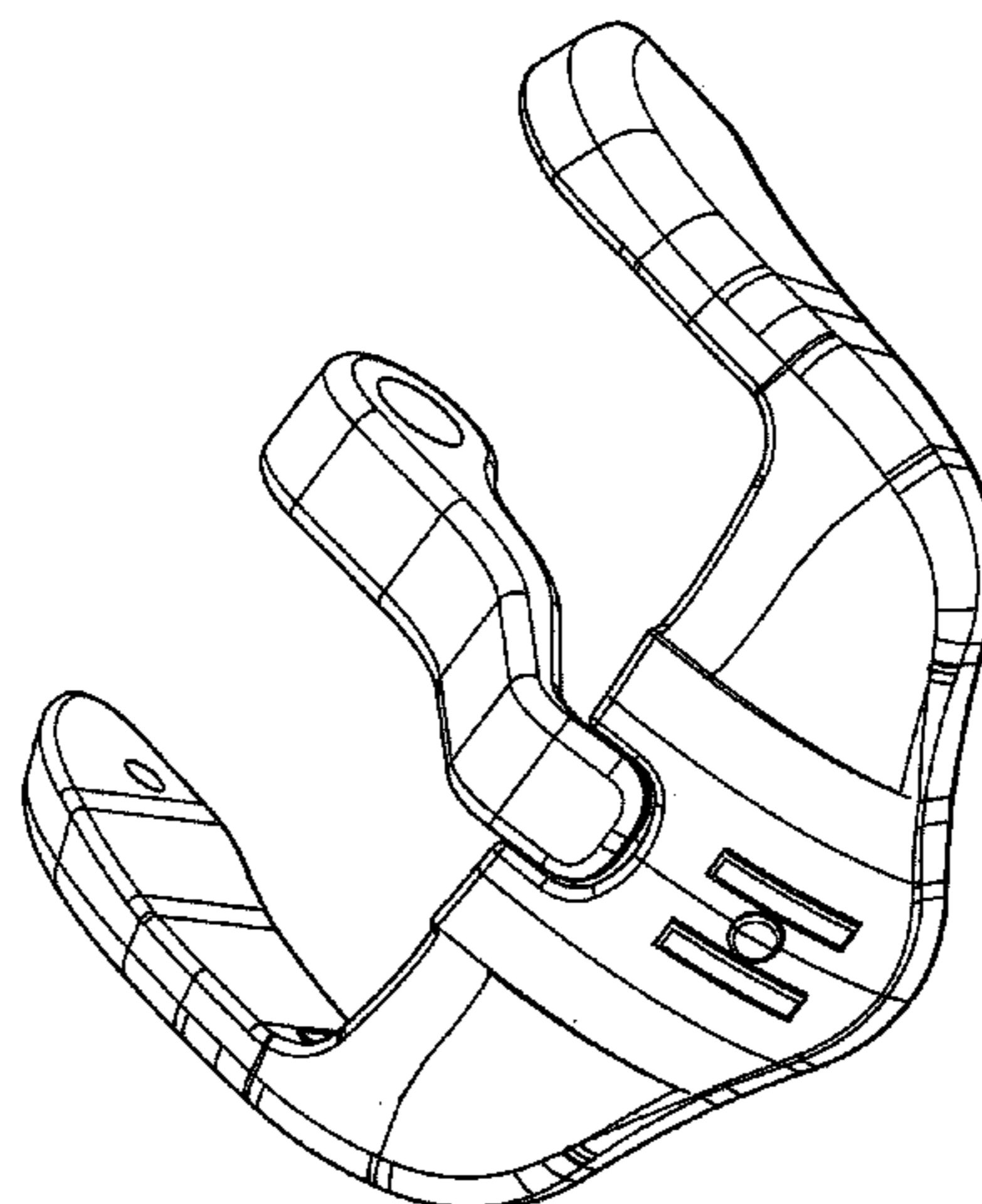
(57) **CLAIM**

The ornamental design for a watch strap clasp, as shown and described.

DESCRIPTION

FIG. 1 is a top plan view of an embodiment of the watch strap clasp of the present invention;
FIG. 2 is a rear elevation view thereof;
FIG. 3 is a front elevation view thereof;
FIG. 4 is a side elevation view thereof;
FIG. 5 is an opposite side elevation view thereof;
FIG. 6 is a bottom plan view thereof; and,
FIG. 7 is a top perspective view thereof.

1 Claim, 7 Drawing Sheets



US D611,873 S

Page 2

U.S. PATENT DOCUMENTS

D553,020 S *	10/2007	Sirmakes	D10/32	D586,239 S *	2/2009	Modolo	D10/32
D577,610 S	9/2008	Emch Ducommun		D586,674 S	2/2009	Solarewicz	
D584,171 S *	1/2009	Monachon	D10/32				* cited by examiner

FIG. 1

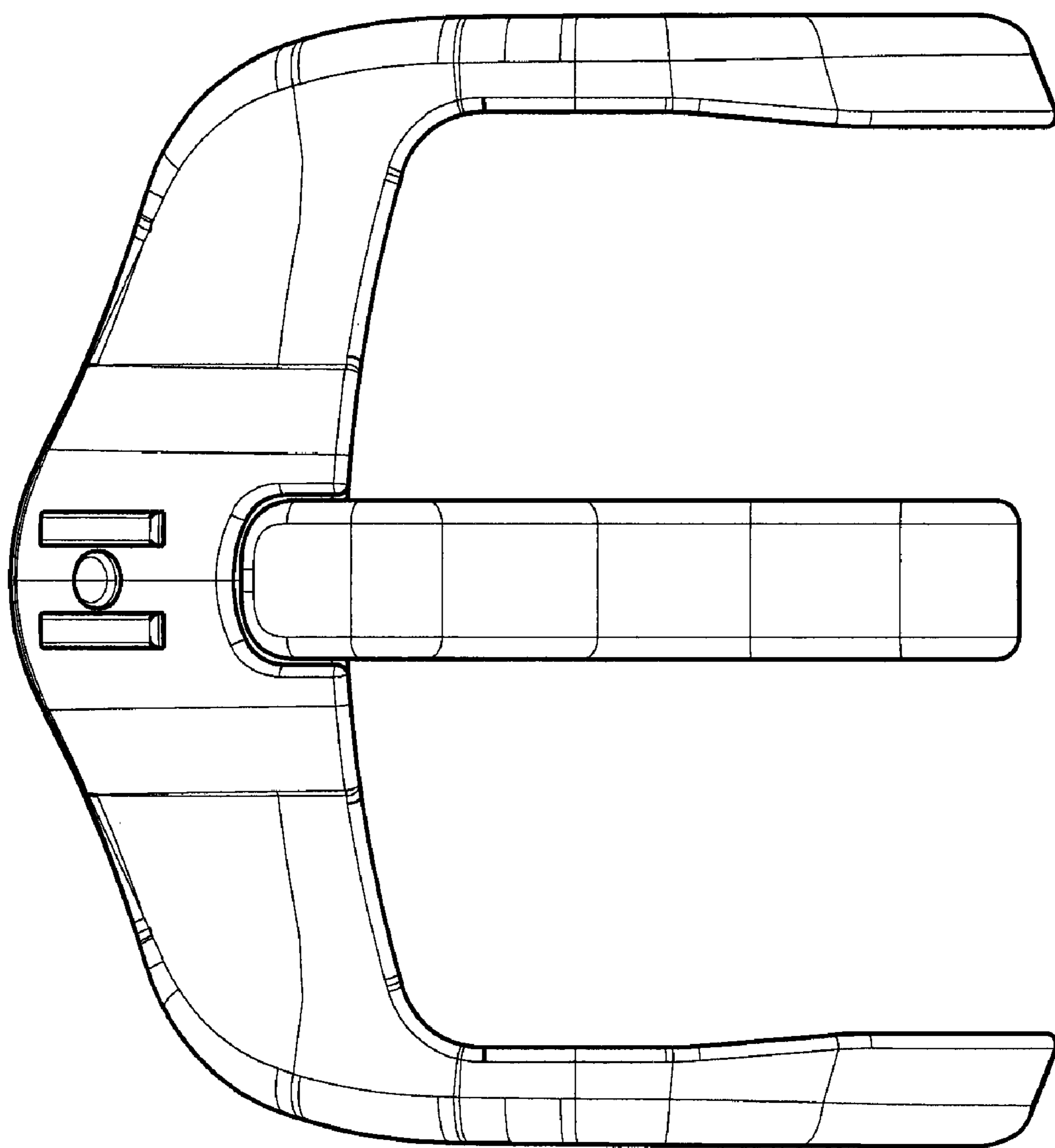


FIG. 2

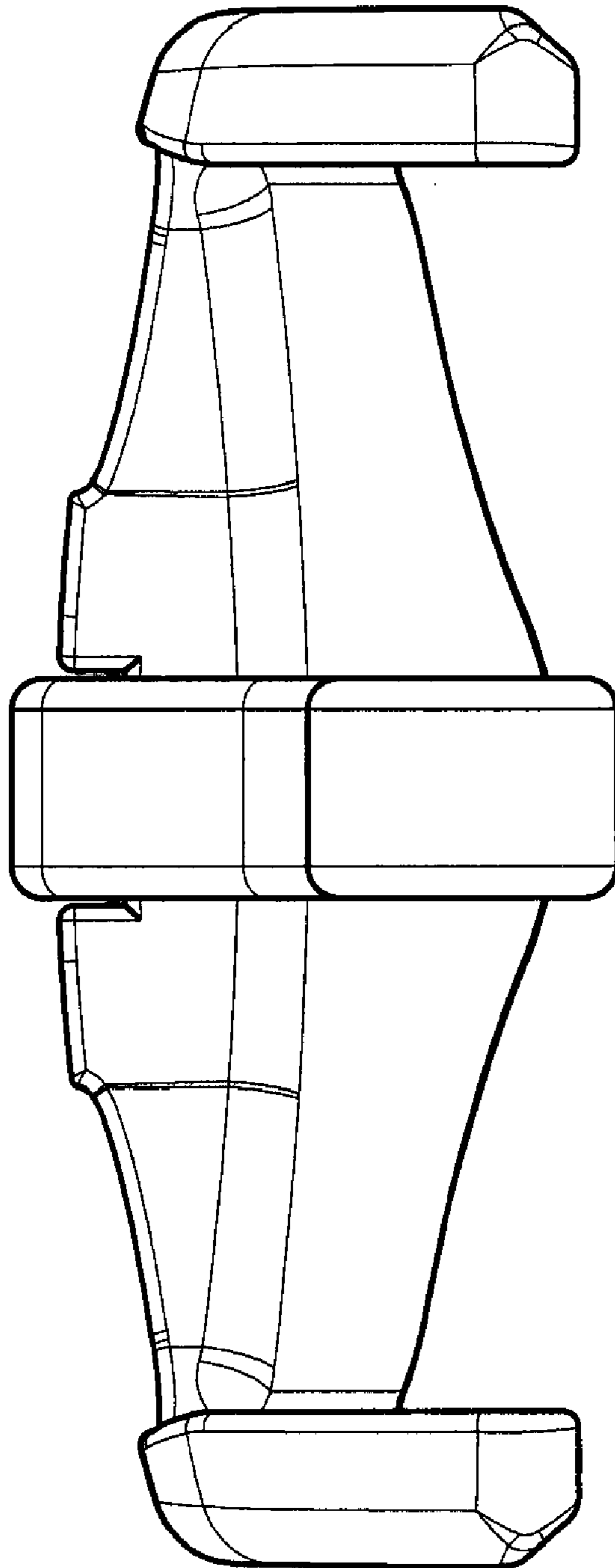


FIG. 3

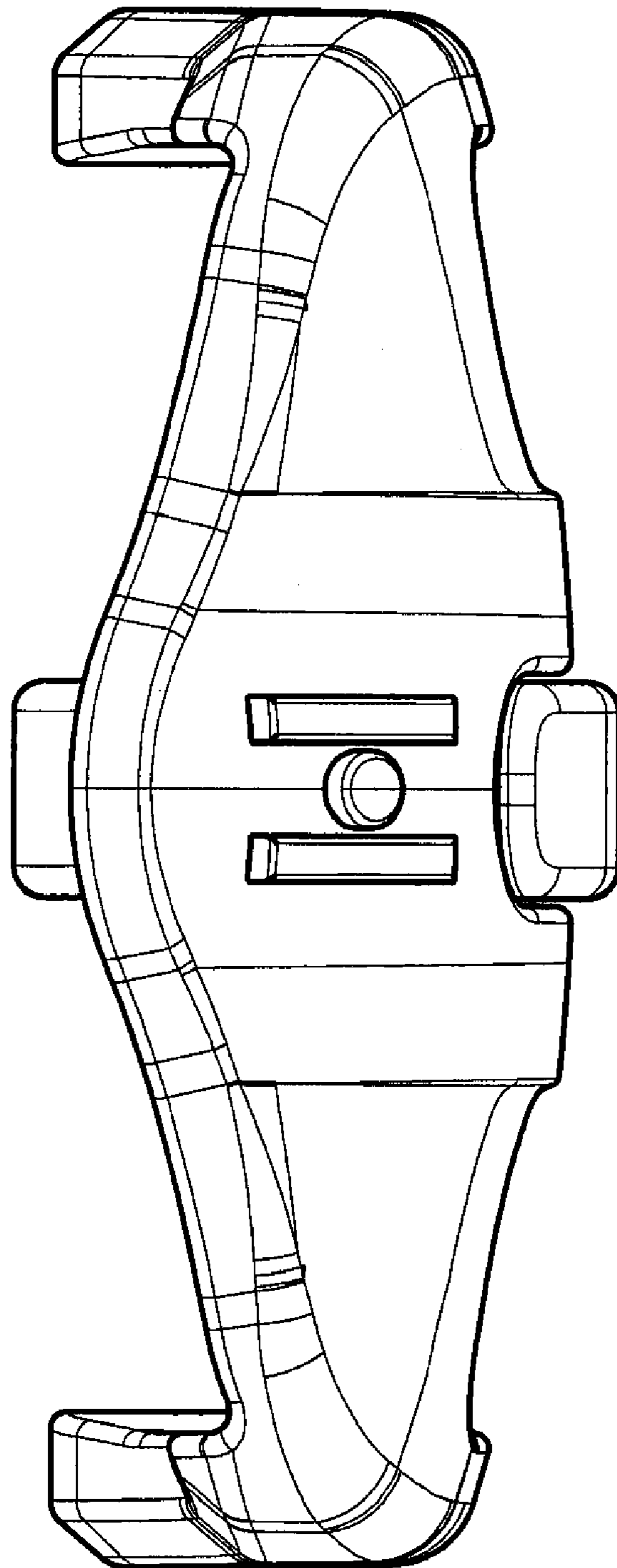


FIG. 4

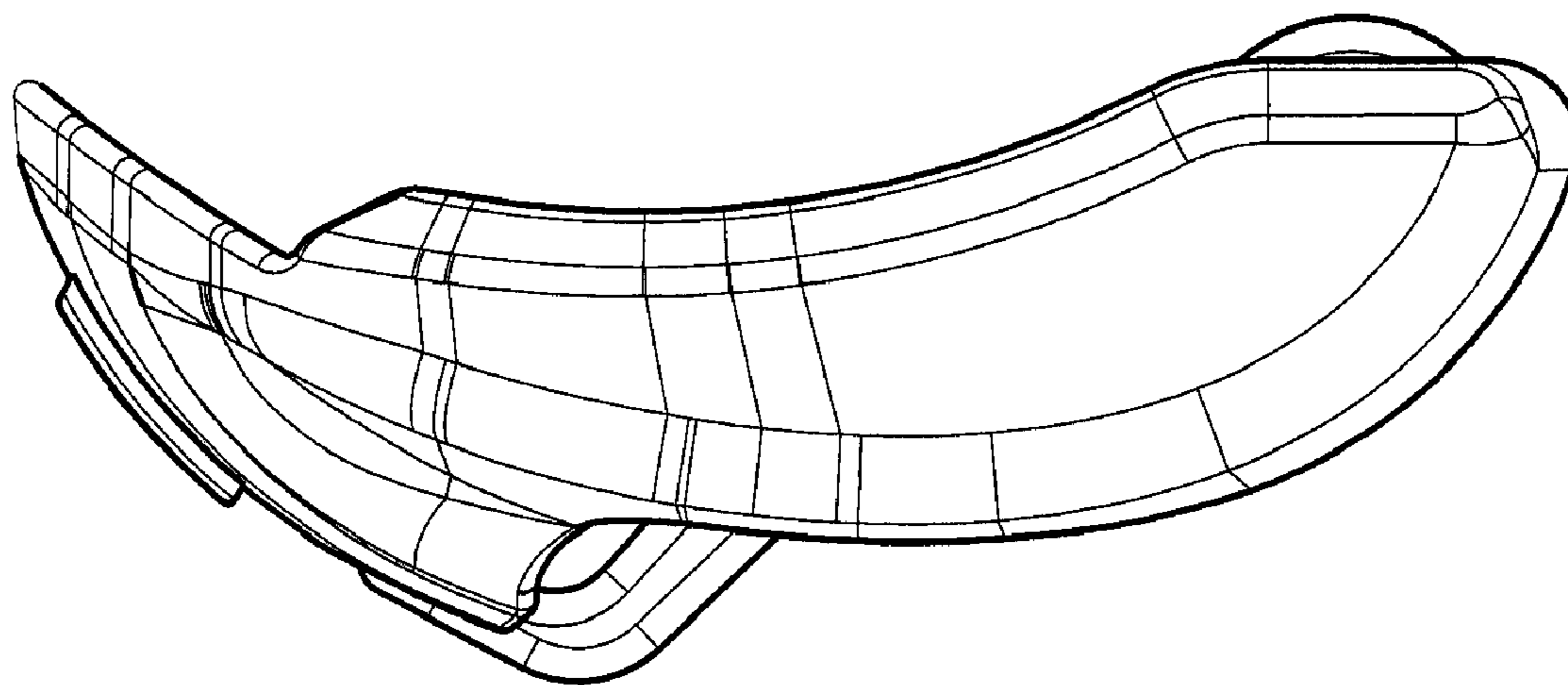


FIG. 5

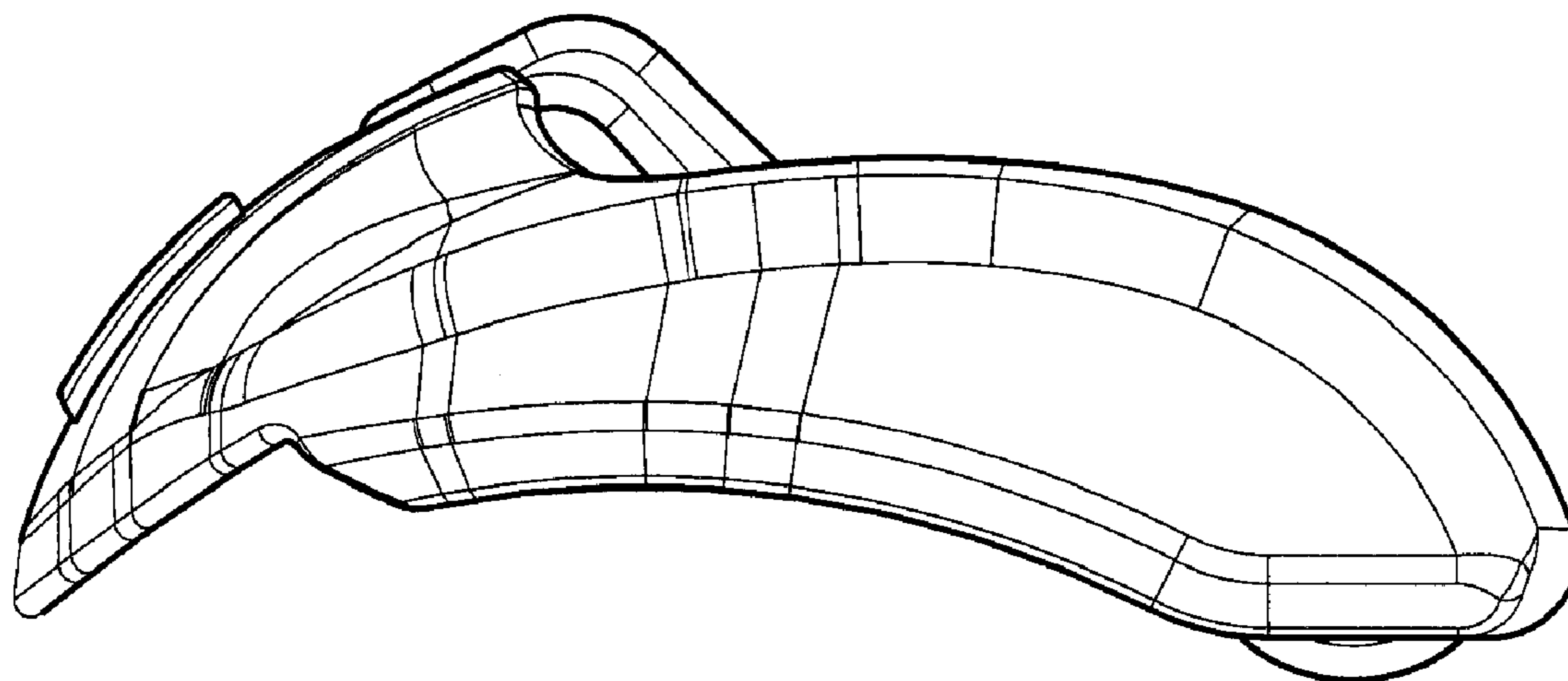


FIG. 6

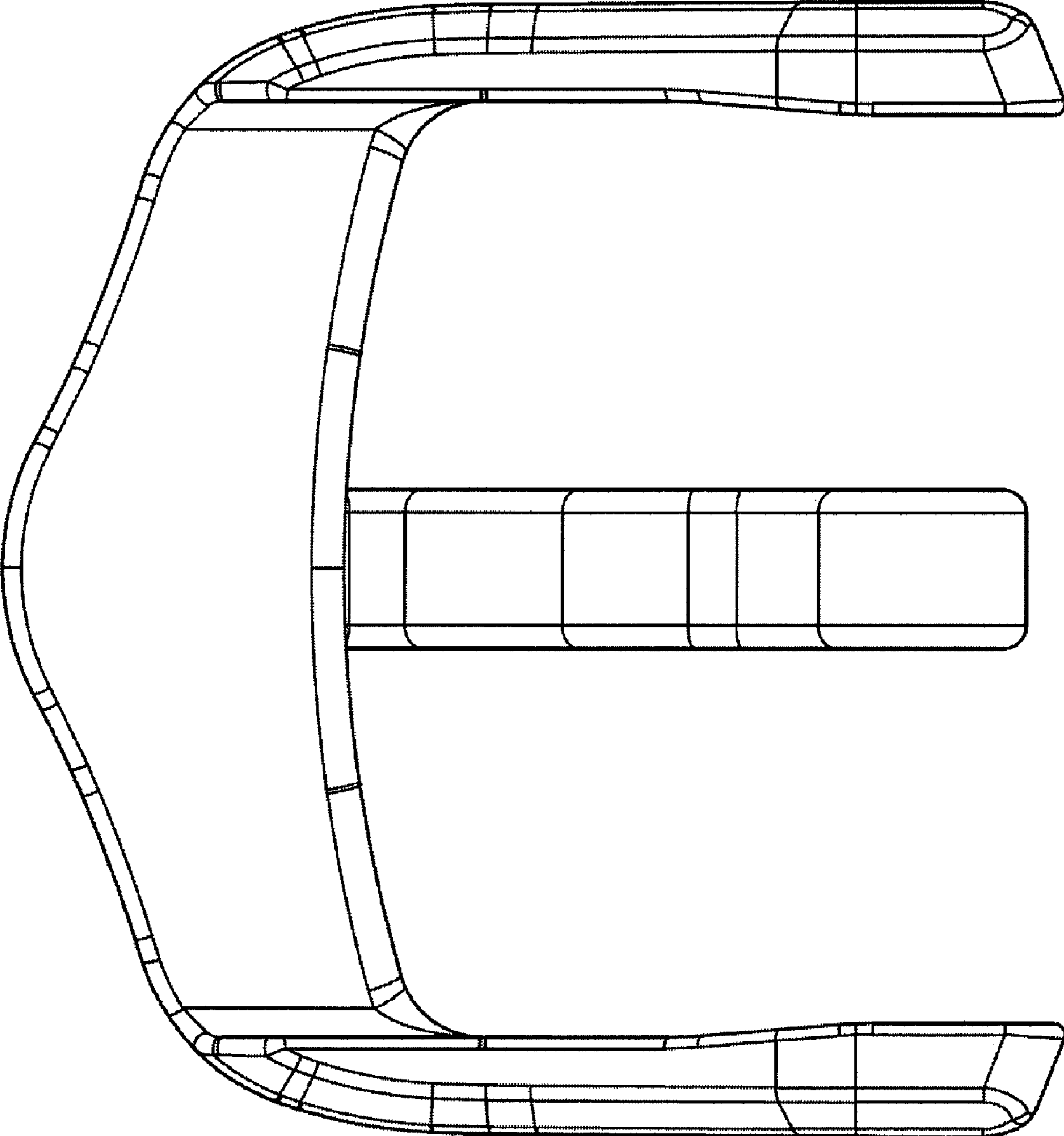


FIG. 7

