



US00D611867S

(12) **United States Design Patent**
Peterson et al.

(10) **Patent No.:** **US D611,867 S**
(45) **Date of Patent:** **** Mar. 16, 2010**

(54) **FLUID DELIVERY SYSTEM**

D340,727 S * 10/1993 Anderson et al. D15/7
D398,614 S * 9/1998 Kartinen D15/7
D510,938 S * 10/2005 Thomas et al. D15/7

(75) Inventors: **Craig L. Peterson**, Carver, MN (US);
Ross David Rossner, St. Michael, MN
(US); **Thomas C. Gessner**, Plymouth,
MN (US); **Philip Nathan**, West
Hartford, CT (US)

* cited by examiner

Primary Examiner—Ralf Seifert
(74) *Attorney, Agent, or Firm*—Westman, Champlin & Kelly,
P.A.

(73) Assignee: **Wagner Spray Tech Corporation**,
Plymouth, MN (US)

(57) **CLAIM**

(**) Term: **14 Years**

The ornamental design for fluid delivery system, as shown.

(21) Appl. No.: **29/333,315**

DESCRIPTION

(22) Filed: **Mar. 6, 2009**

(51) **LOC (9) Cl.** **15-02**

FIG. 1 is a perspective view of the fluid delivery system.

(52) **U.S. Cl.** **D11/7**

FIG. 2 is a left side view of the fluid delivery system.

(58) **Field of Classification Search** D15/7-9;
D23/231, 232, 225; 417/410.1, 359, 415-416,
417/234, 321, 265, 405

FIG. 3 is a right side view of the fluid delivery system.

FIG. 4 is a back view of the fluid delivery system.

FIG. 5 is a front view of the fluid delivery system.

FIG. 6 is a top view of the fluid delivery system; and,

FIG. 7 is a bottom view of the fluid delivery system.

See application file for complete search history.

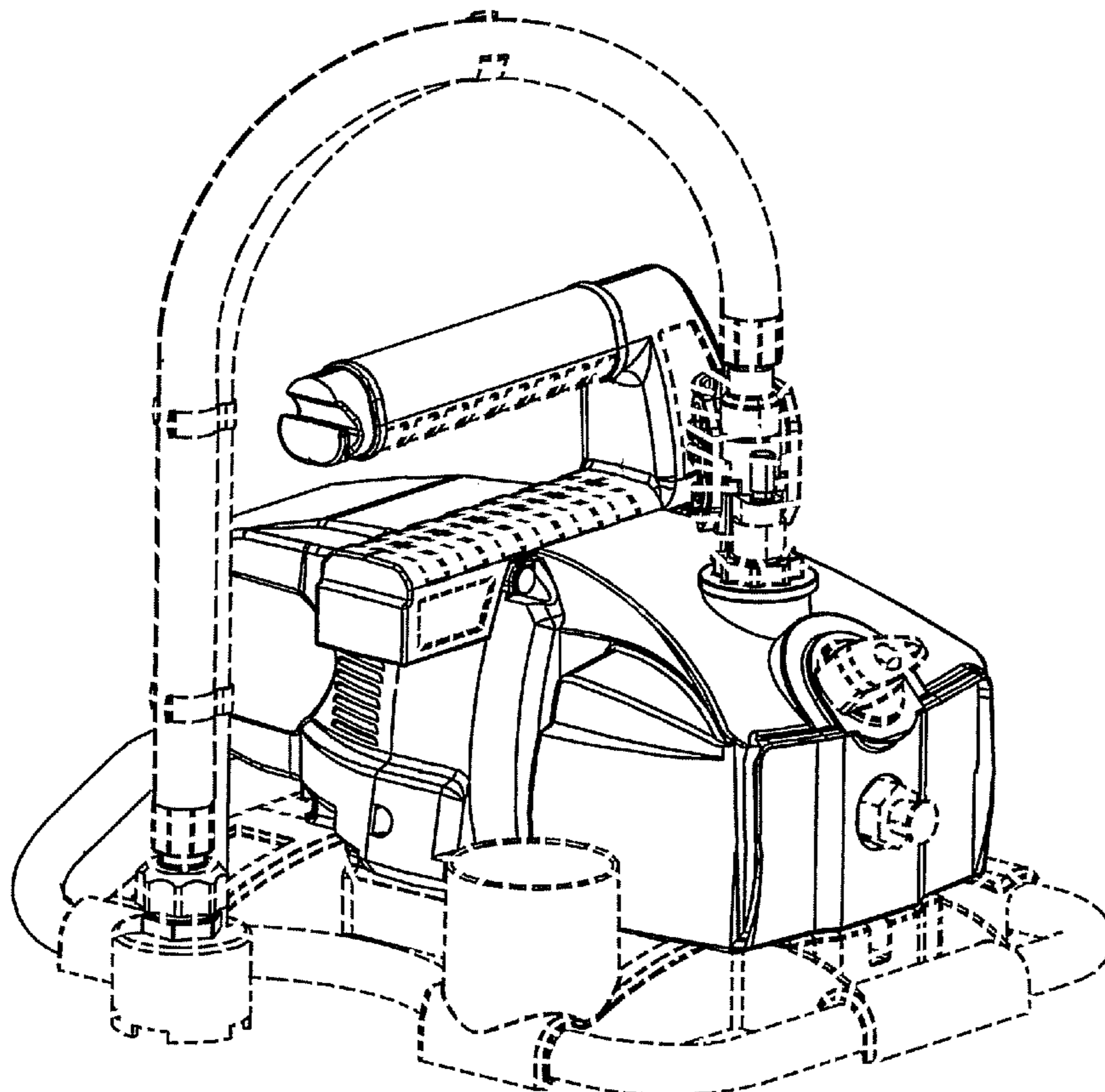
The dotted lines in FIGS. 1-7 do not form any part of the
claimed design for the fluid delivery system.

(56) **References Cited**

U.S. PATENT DOCUMENTS

D227,168 S * 6/1973 Chase et al. D15/7
D340,724 S * 10/1993 Mariol D15/7

1 Claim, 7 Drawing Sheets



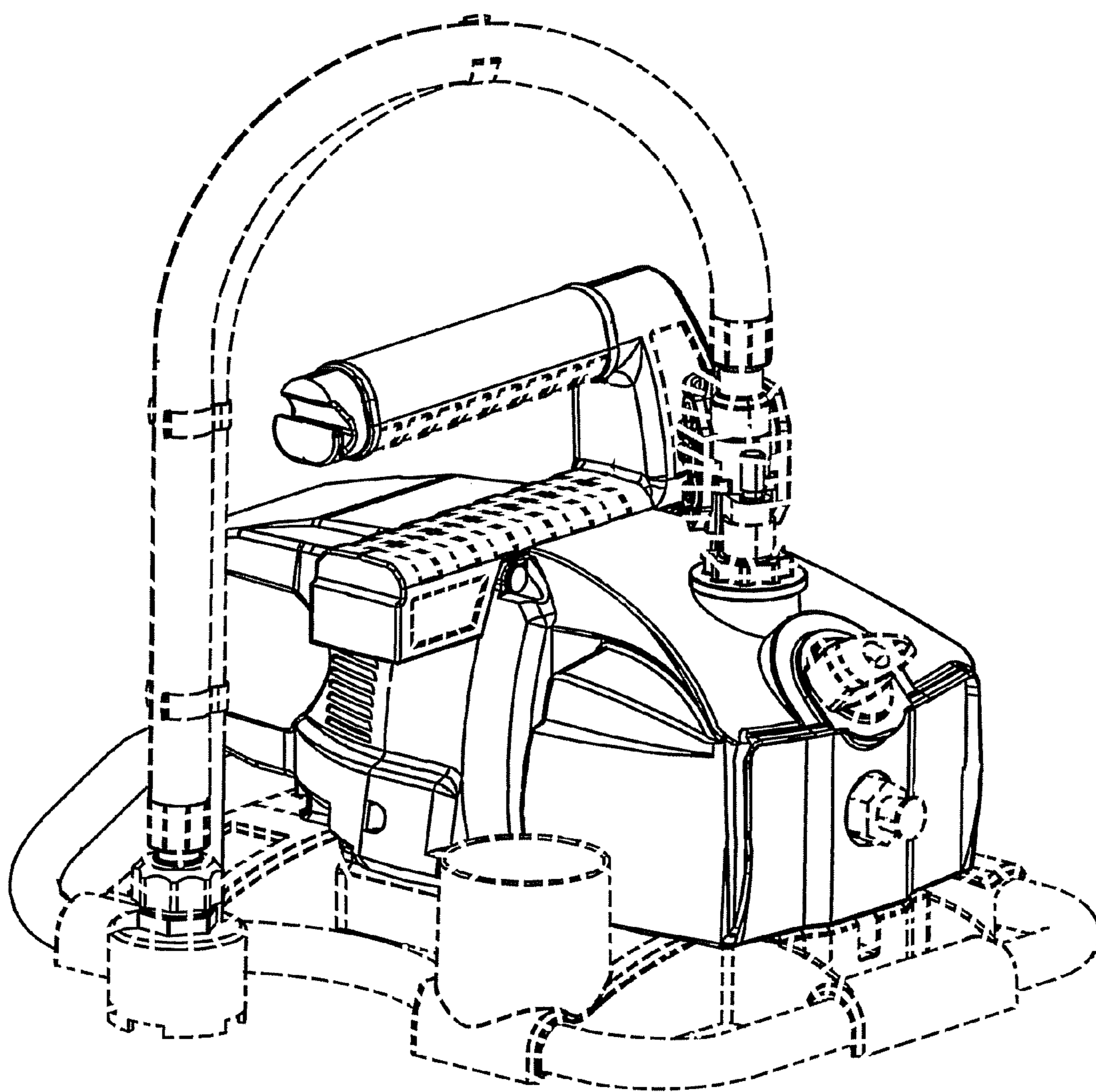


FIG. 1

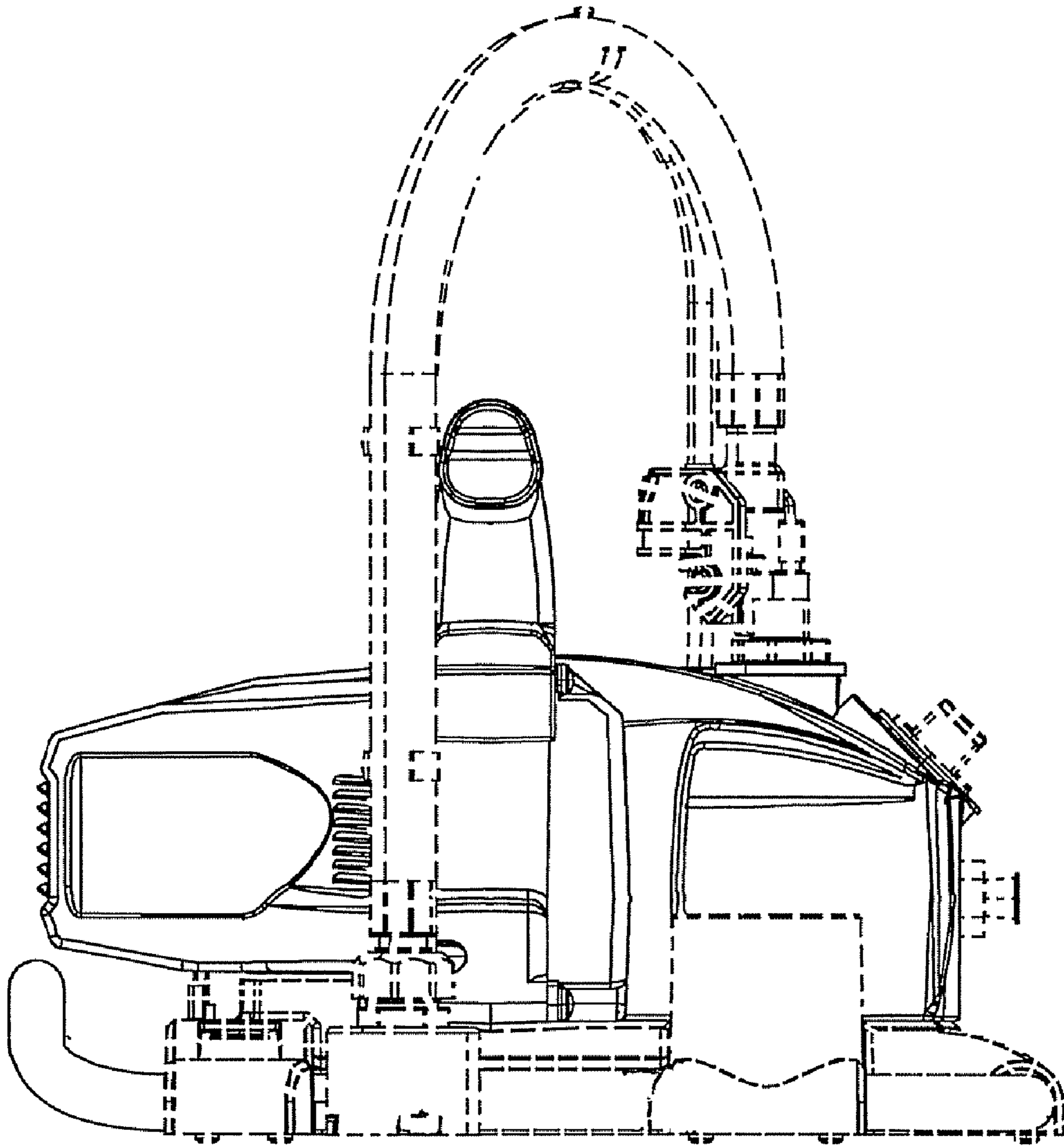


FIG. 2

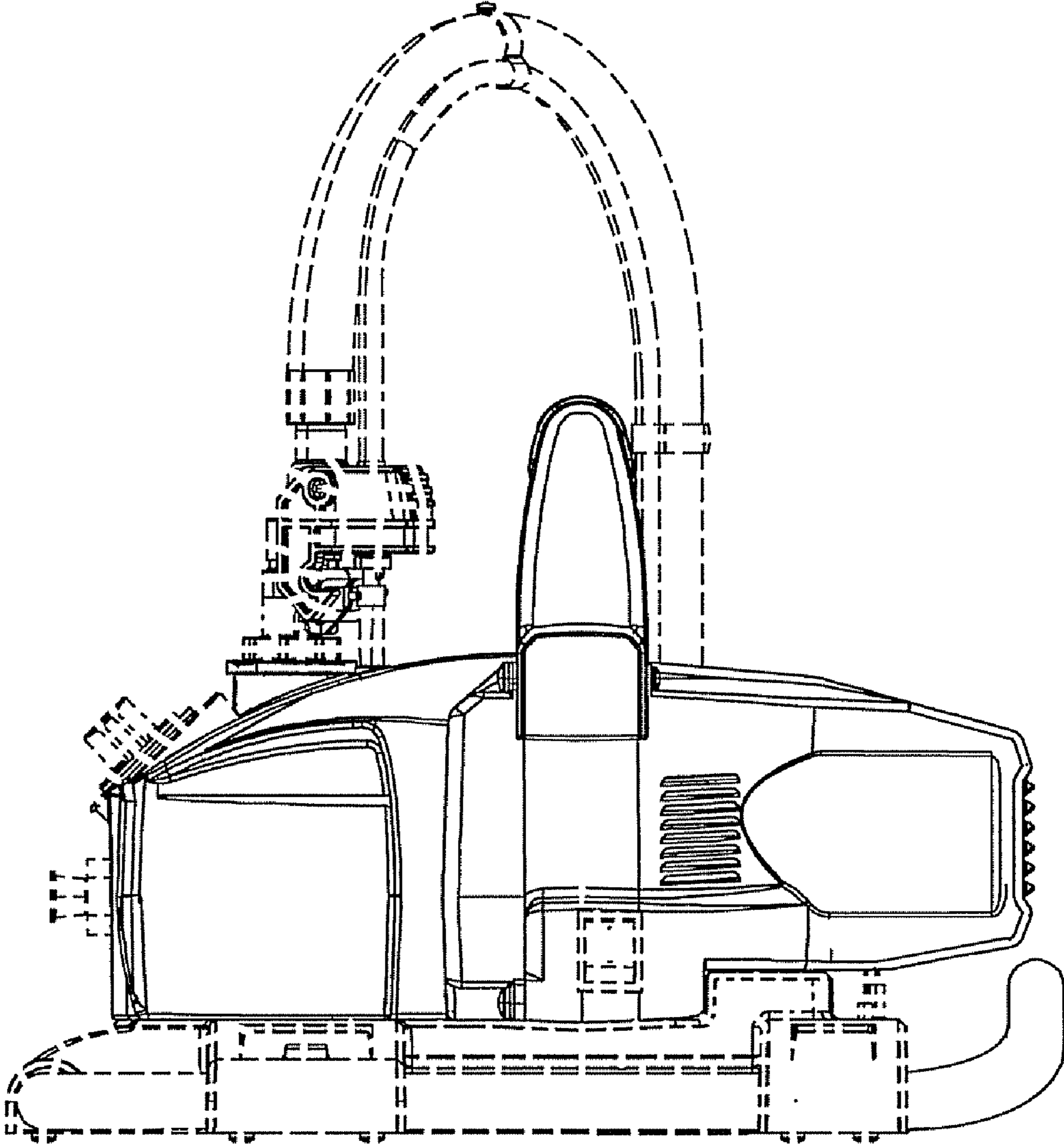


FIG. 3

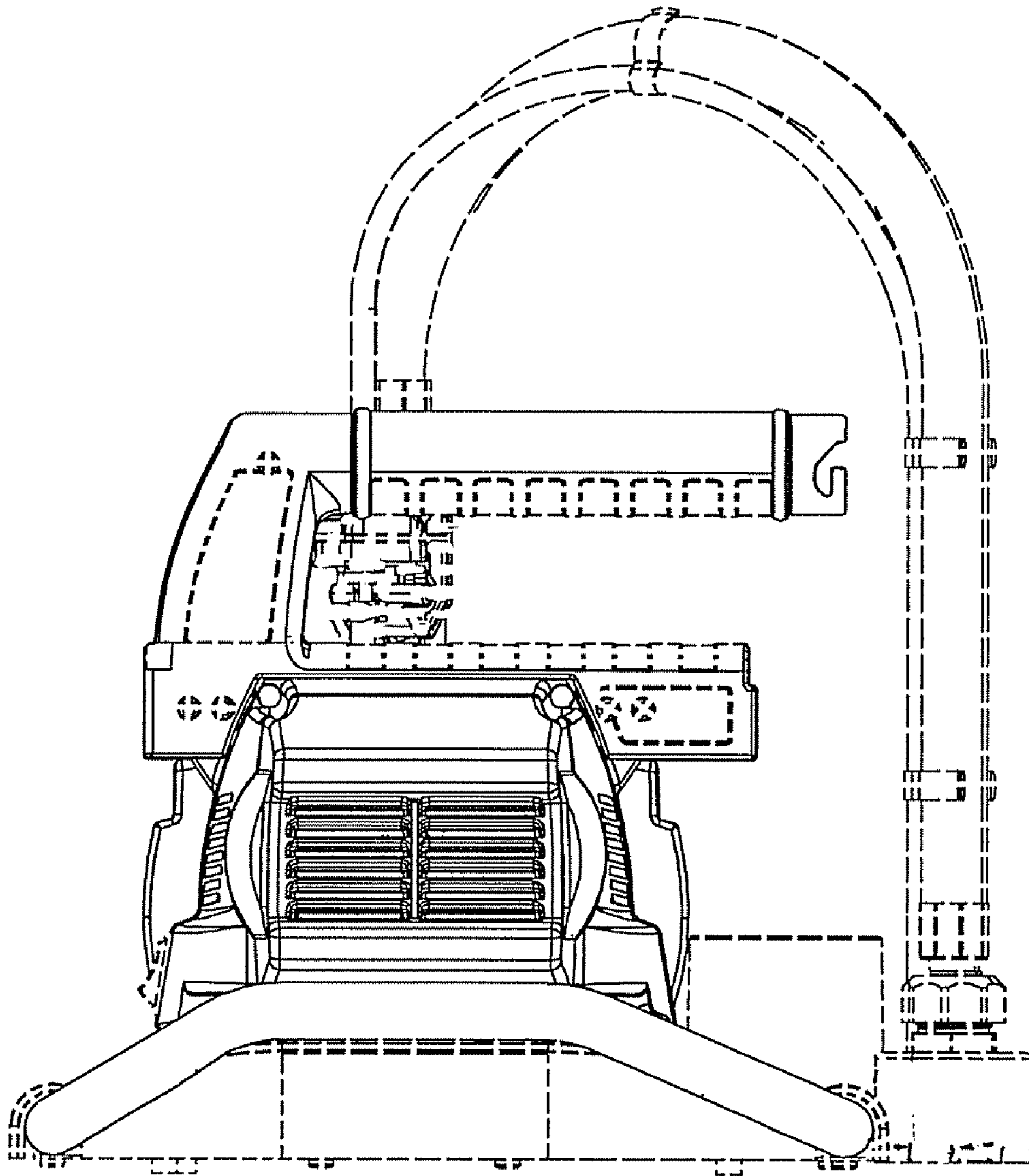


FIG. 4

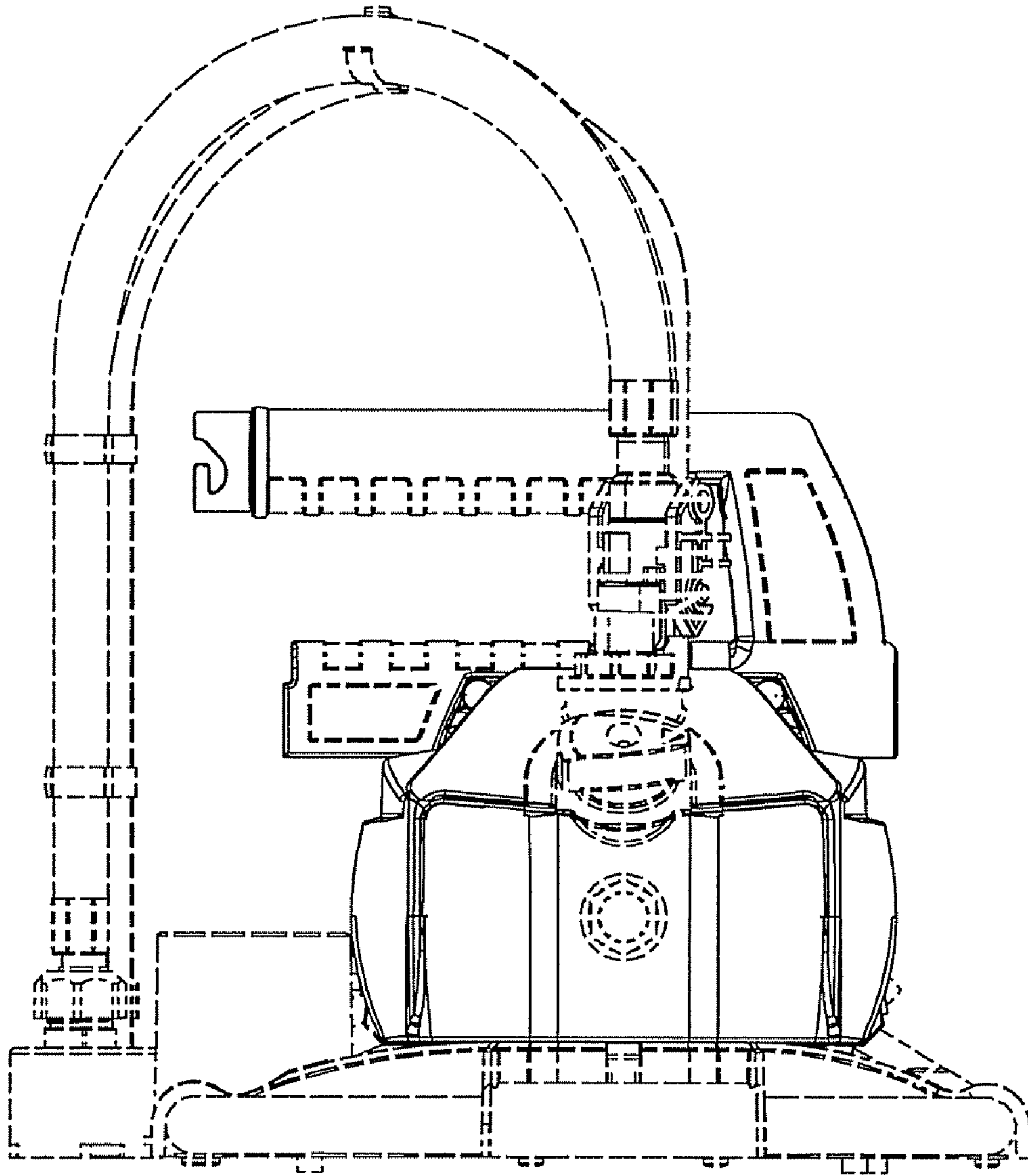


FIG. 5

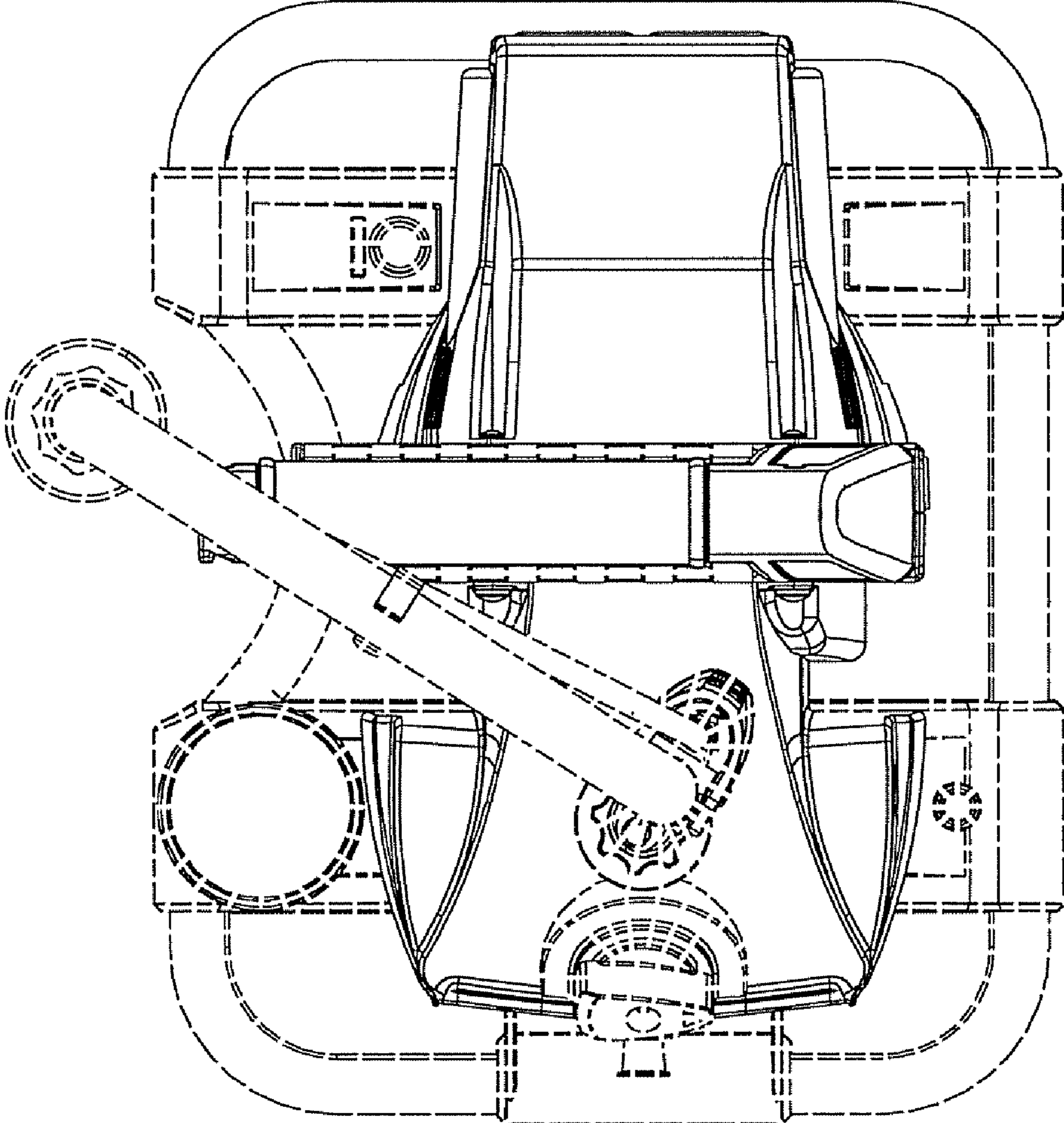


FIG. 6

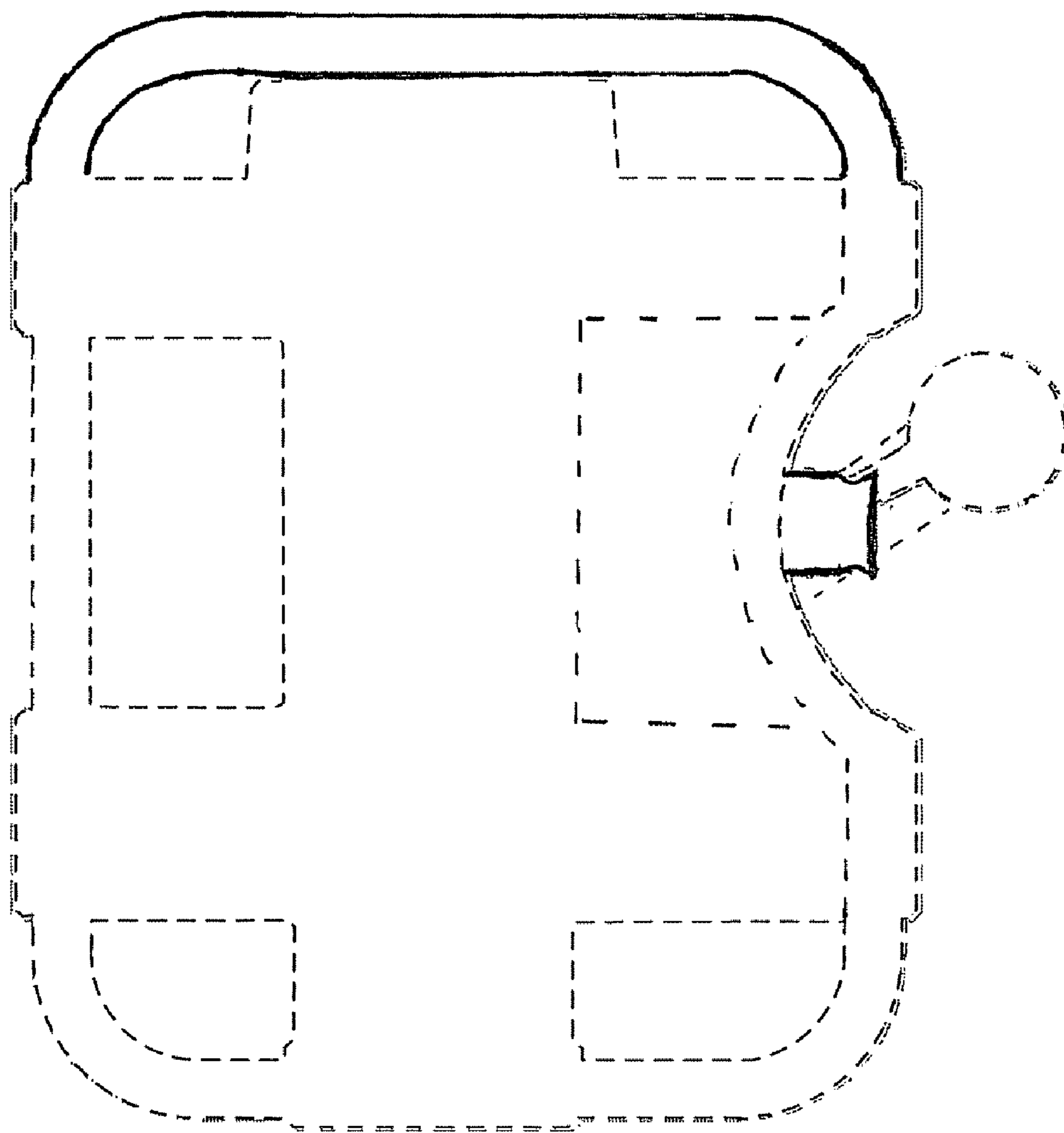


FIG. 7