



US00D611863S

(12) **United States Design Patent**  
**Kato**

(10) **Patent No.:** **US D611,863 S**  
(45) **Date of Patent:** **\*\* Mar. 16, 2010**

(54) **FIRE DETECTOR**

(75) Inventor: **Kenichi Kato**, Tokyo (JP)

(73) Assignee: **Nohmi Bosai Ltd.**, Tokyo (JP)

(\*\*) Term: **14 Years**

(21) Appl. No.: **29/344,315**

(22) Filed: **Sep. 28, 2009**

(30) **Foreign Application Priority Data**

Mar. 30, 2009 (JP) ..... 2009-007249

(51) **LOC (9) Cl.** ..... **10-05**

(52) **U.S. Cl.** ..... **D10/106; D10/118**

(58) **Field of Classification Search** ..... D10/104,  
D10/106, 118; 340/521, 540, 541, 542, 543,  
340/544, 545, 555, 556, 558, 571, 572, 573;  
392/423; 134/21; 362/276; 428/192; 178/99.1  
See application file for complete search history.

(56) **References Cited**

**U.S. PATENT DOCUMENTS**

D210,174 S \* 2/1968 Franczek ..... D10/106  
D253,753 S \* 12/1979 Poesl ..... D10/106  
D294,471 S \* 3/1988 Levin et al. .... D10/118  
D390,797 S \* 2/1998 Yao et al. .... D10/106  
D394,820 S \* 6/1998 Sniadach et al. .... D10/106

D401,523 S \* 11/1998 Baker ..... D10/106  
D410,586 S \* 6/1999 Olsen ..... D10/106  
D433,644 S \* 11/2000 Sakurai et al. .... D10/106  
2006/0164234 A1 \* 7/2006 Acar ..... 340/539.1

\* cited by examiner

*Primary Examiner*—Caron Veynar

*Assistant Examiner*—George D Kirschbaum

(74) *Attorney, Agent, or Firm*—Van Dyke, Gardner, Linn & Burkhardt, LLP

(57) **CLAIM**

The ornamental design for the fire detector, substantially as shown and described.

**DESCRIPTION**

FIG. 1 is a perspective view of a fire detector, according to the present invention;

FIG. 2 is a front elevation view of the fire detector of FIG. 1;

FIG. 3 is a rear elevation view of the fire detector of FIG. 1;

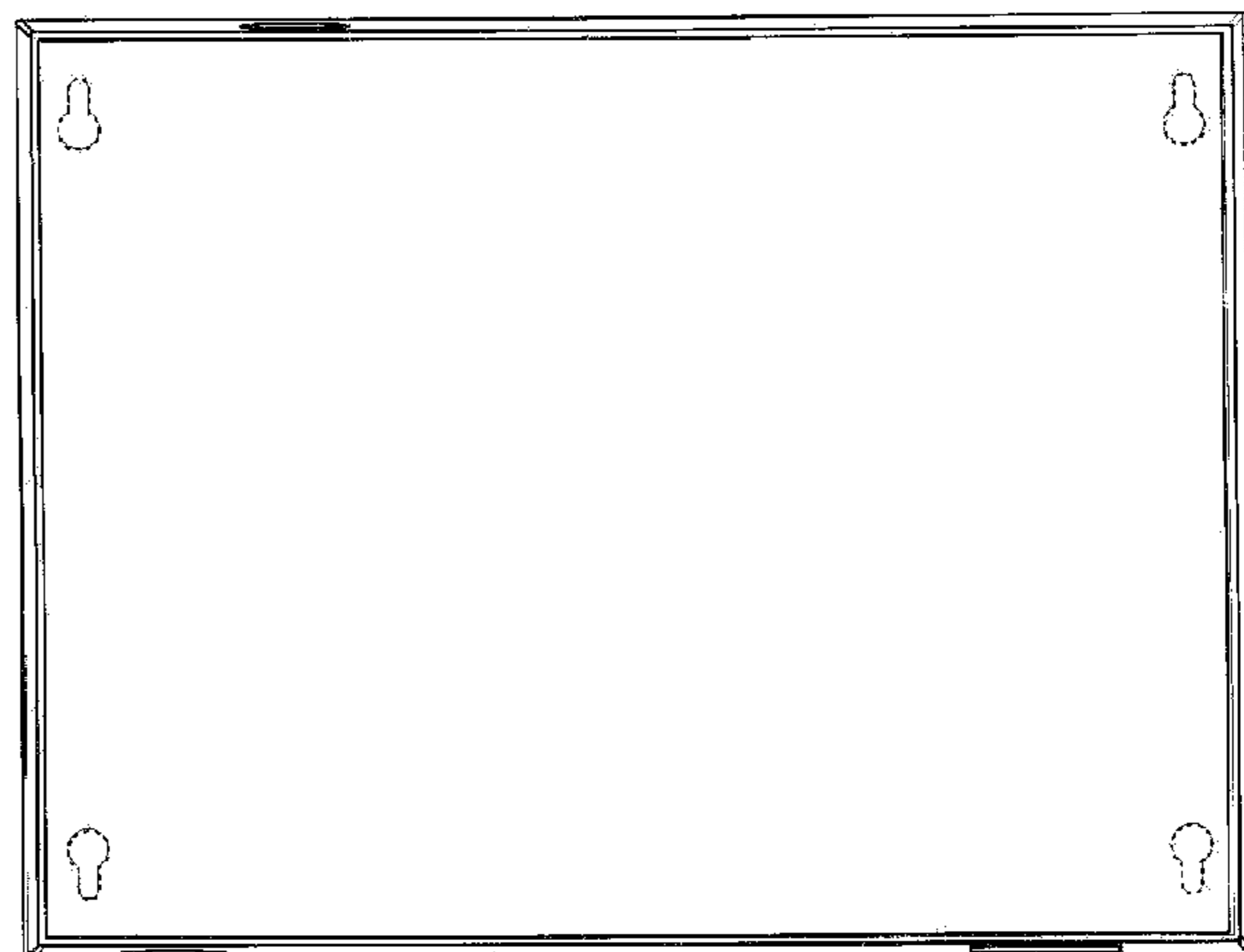
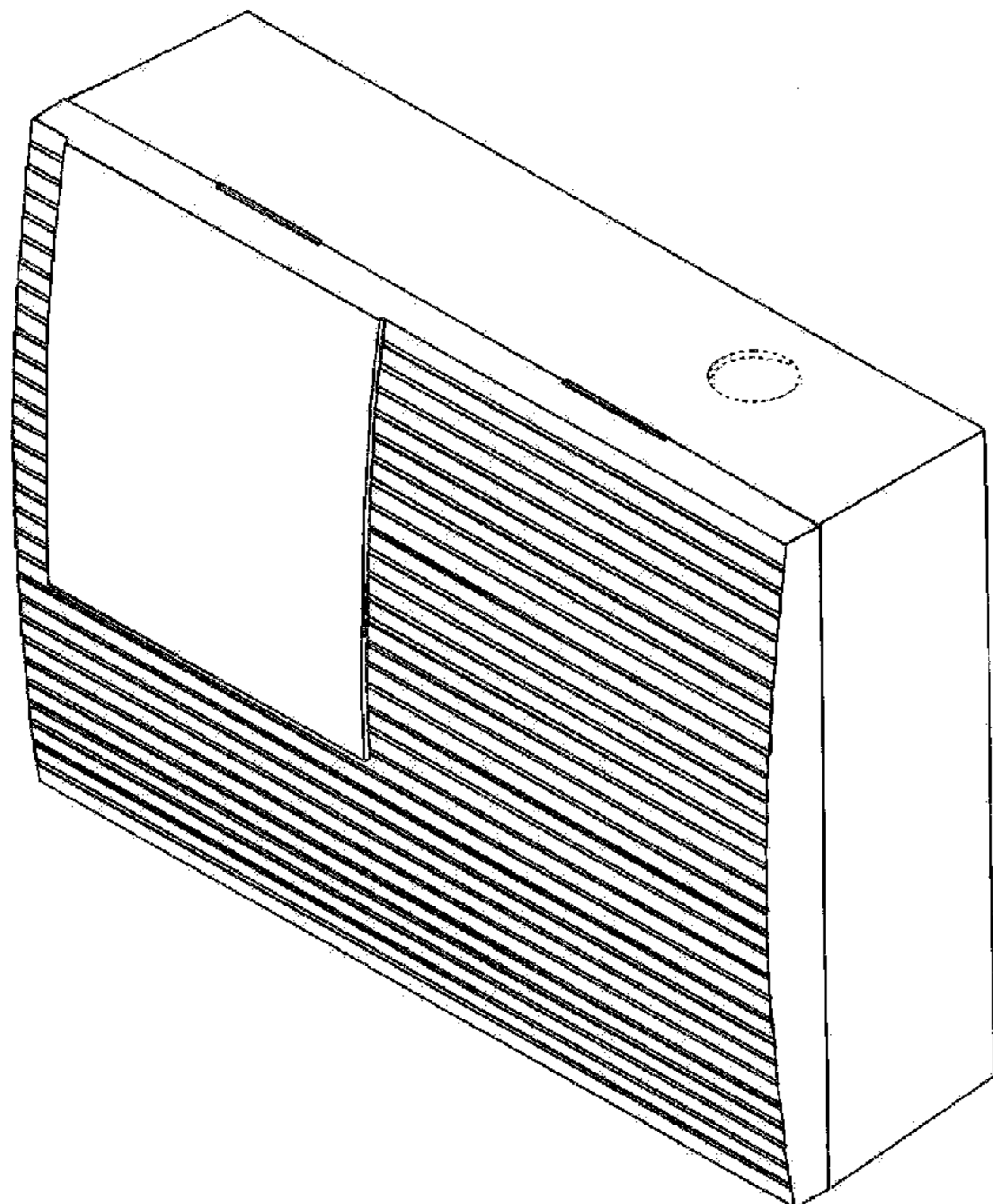
FIG. 4 is a right-side elevation view of the fire detector of FIG. 1;

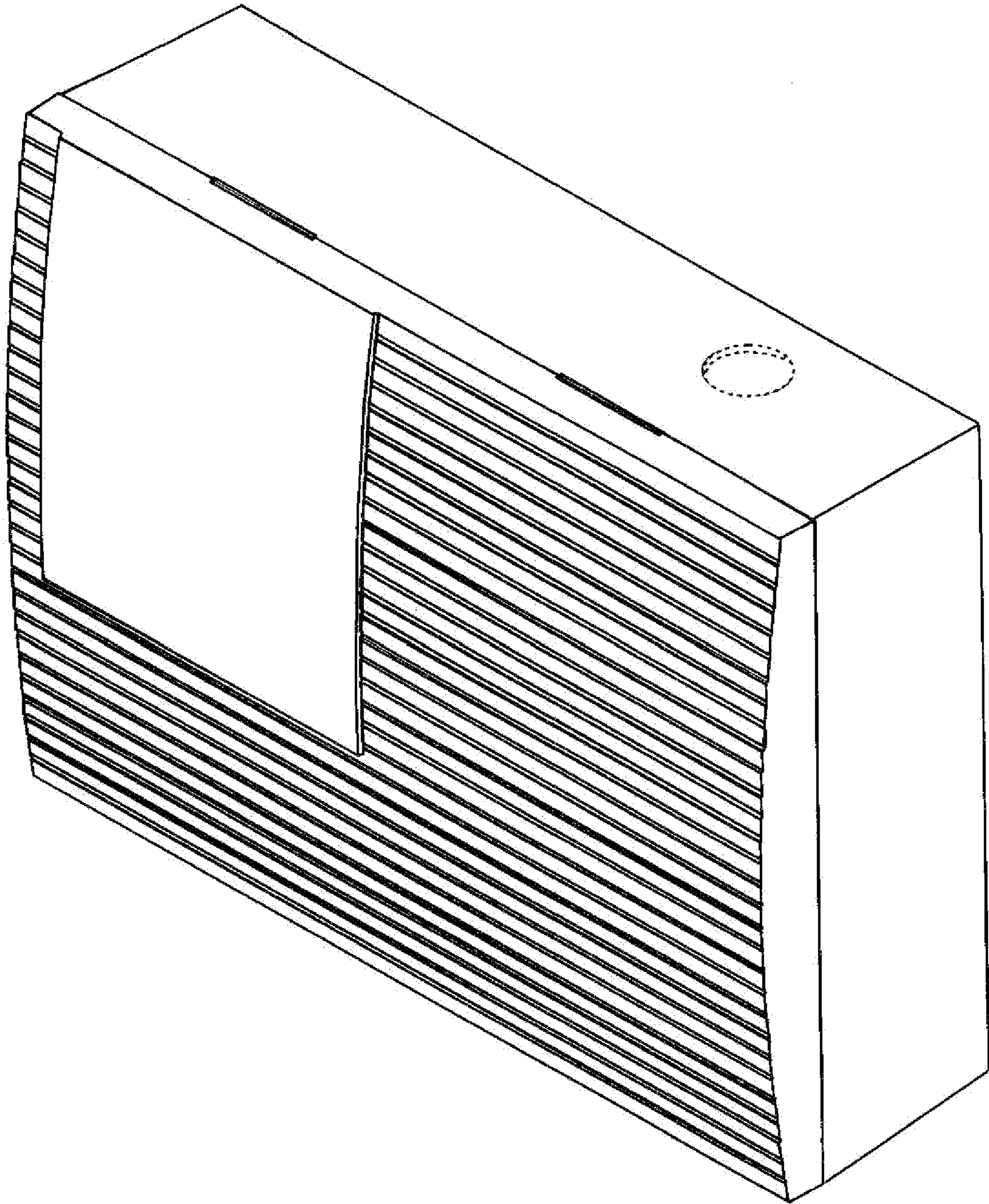
FIG. 5 is a left-side elevation view of the fire detector of FIG. 1;

FIG. 6 is a top plan view of the fire detector of FIG. 1; and,

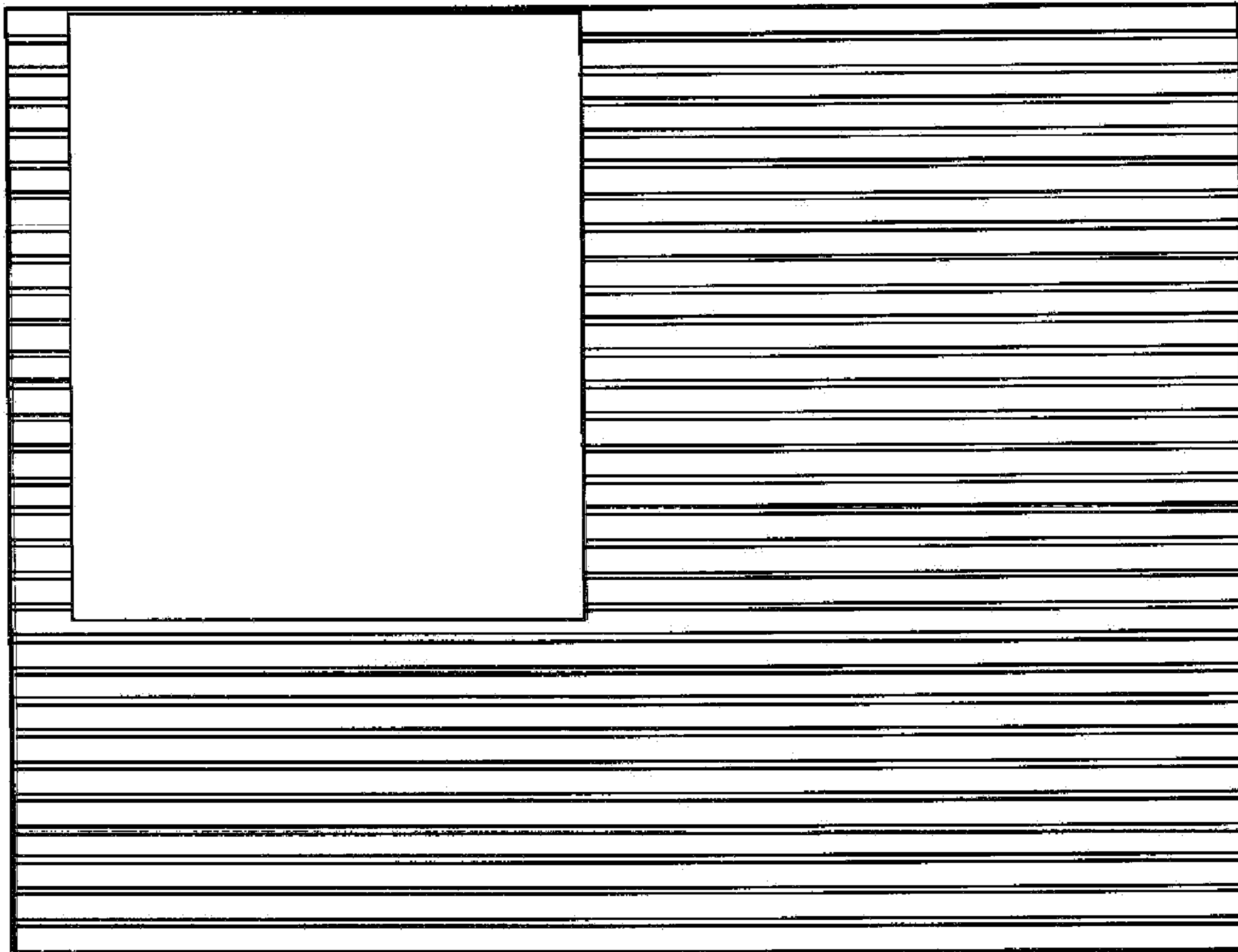
FIG. 7 is a bottom plan view of the fire detector of FIG. 1;

**1 Claim, 7 Drawing Sheets**

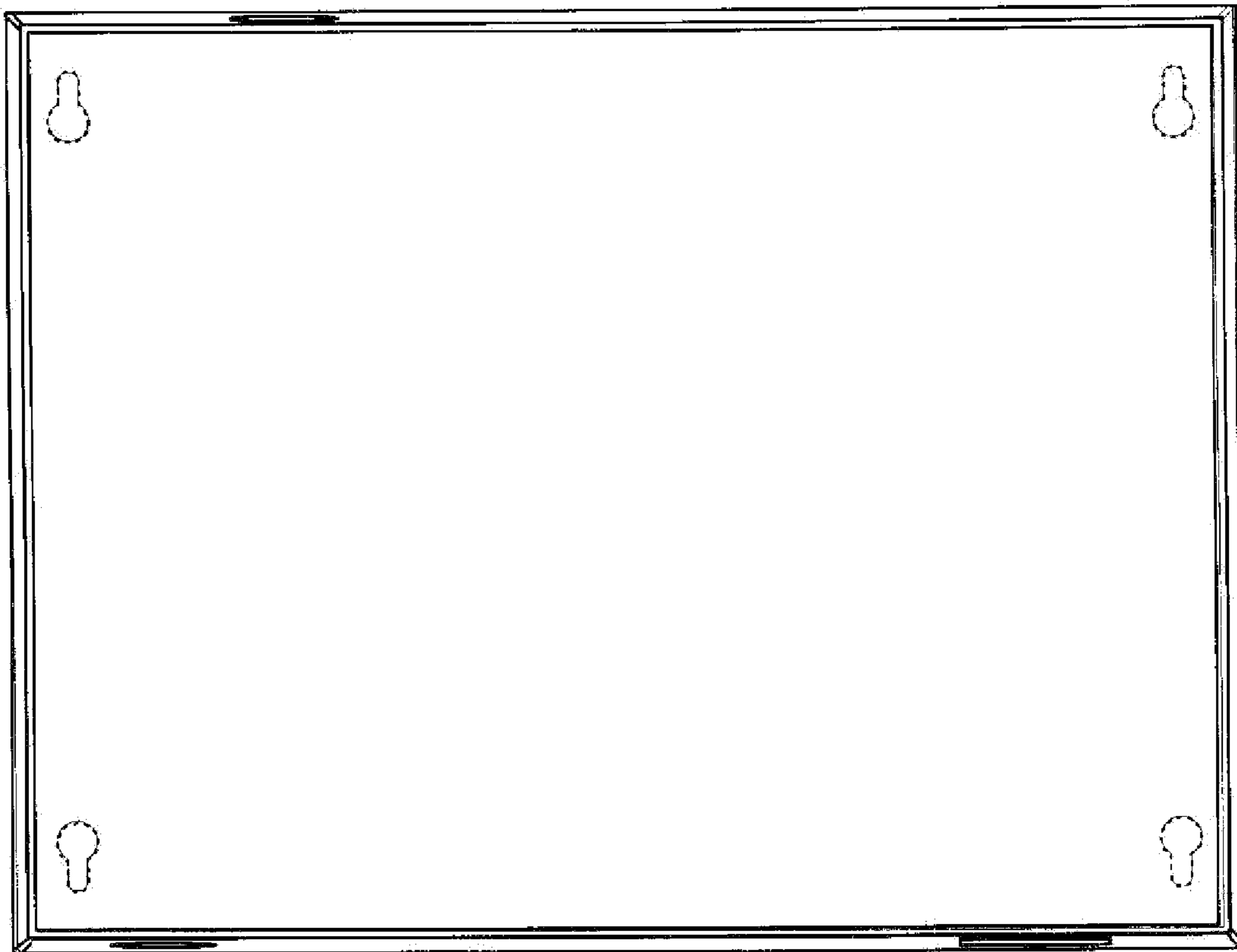




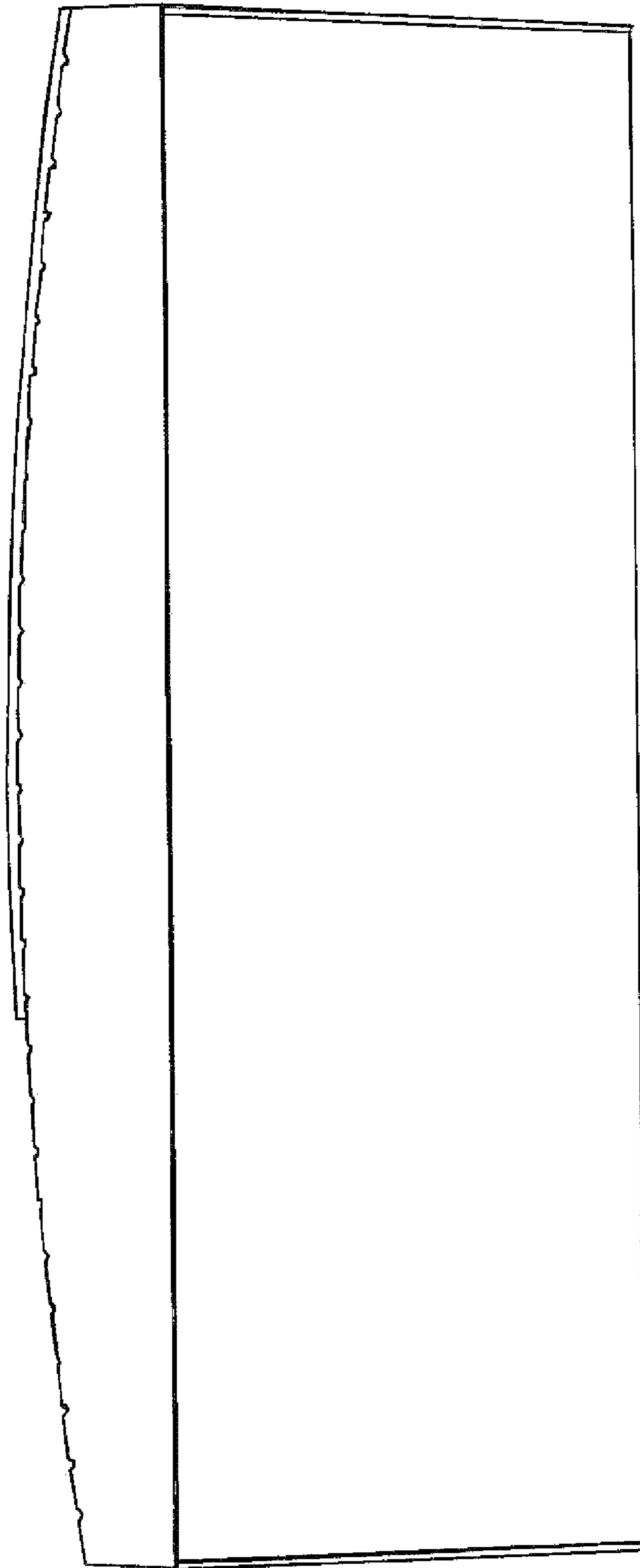
**FIG. 1**



**FIG. 2**

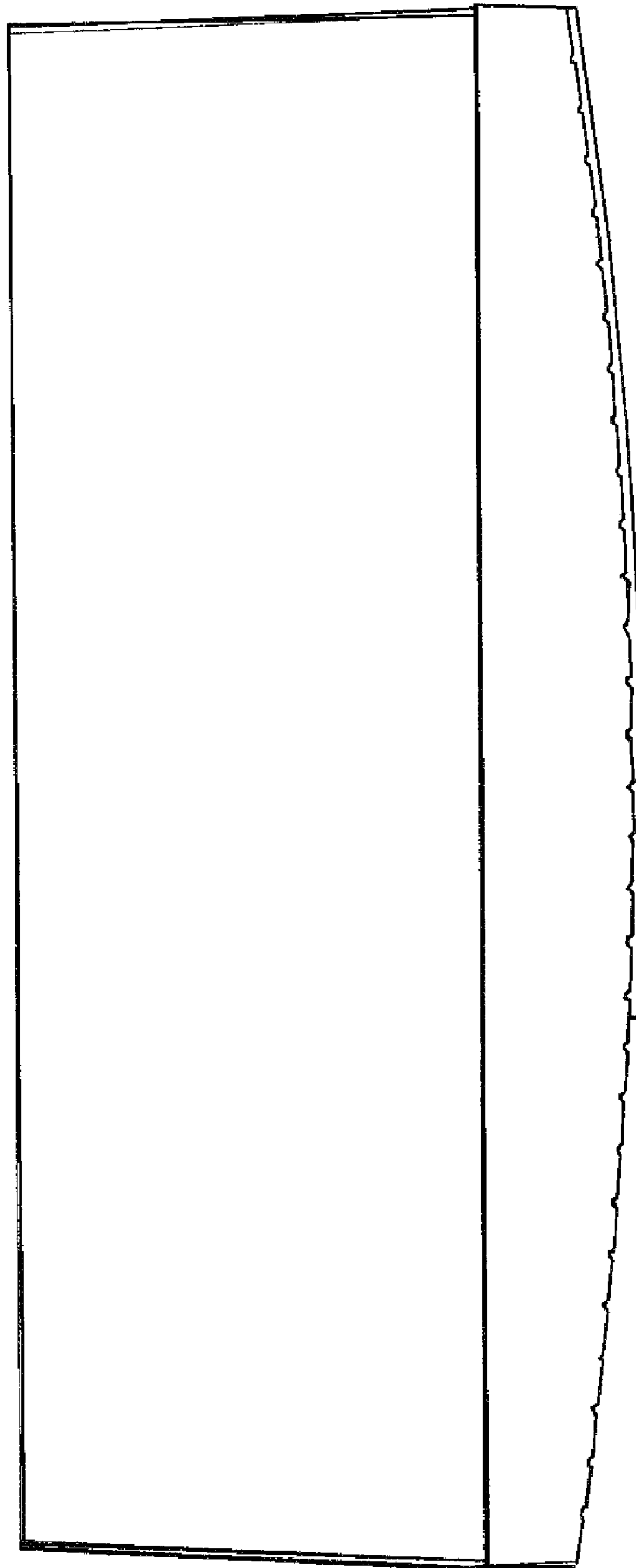


**FIG. 3**



**FIG. 4**





**FIG. 5**

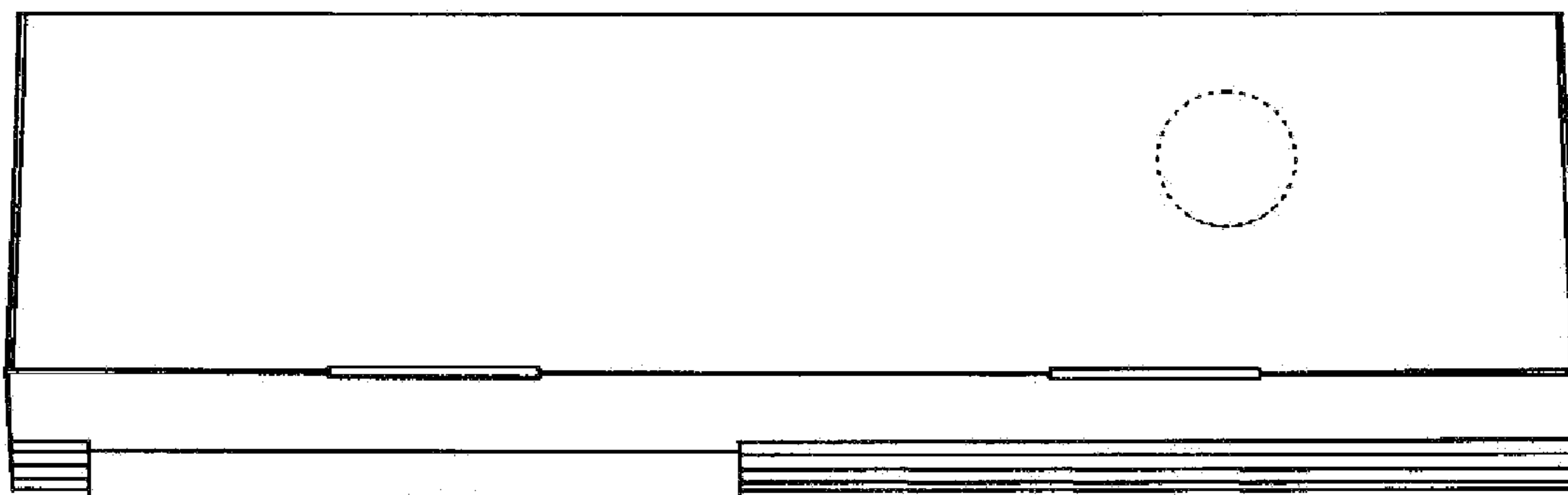
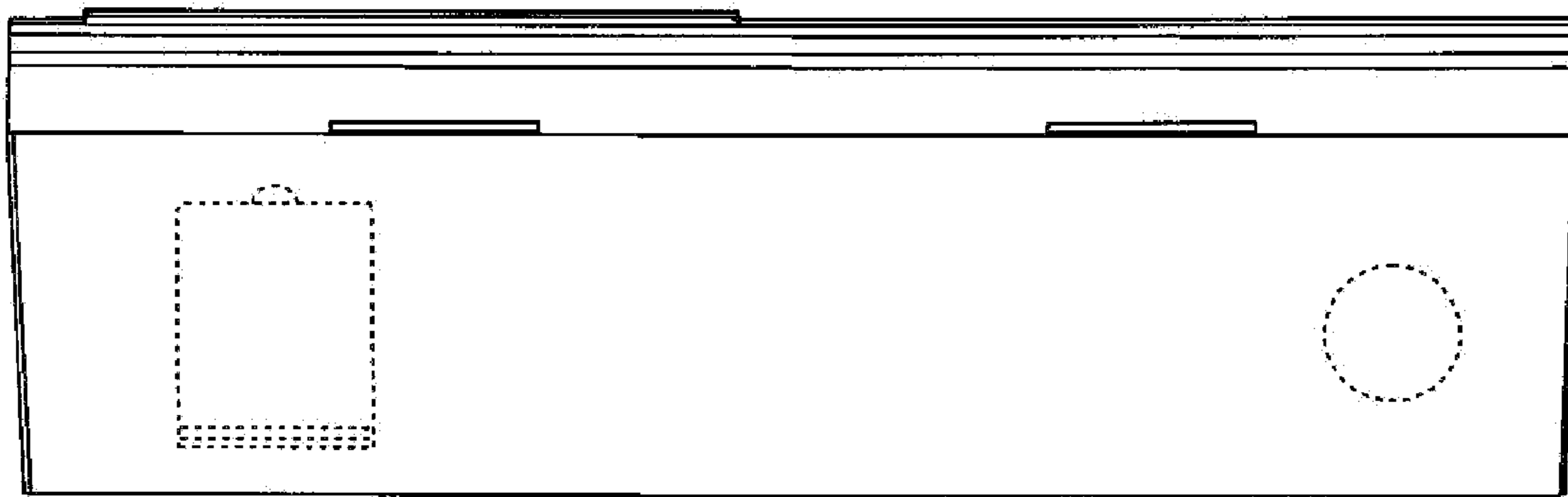


FIG. 6



**FIG. 7**