



US00D611862S

(12) **United States Design Patent**
Perez

(10) **Patent No.:** **US D611,862 S**
(45) **Date of Patent:** **** Mar. 16, 2010**

(54) **PINLESS SECURITY DEVICE**

(75) Inventor: **Sergio M. Perez**, Lake Worth, FL (US)

(73) Assignee: **Sensormatic Electronics, LLC**, Boca Raton, FL (US)

(**) Term: **14 Years**

(21) Appl. No.: **29/315,860**

(22) Filed: **Jul. 29, 2009**

(51) **LOC (9) Cl.** **10-05**

(52) **U.S. Cl.** **D10/106**

(58) **Field of Classification Search** D10/104,
D10/106; D8/333; D3/208; 24/704.1; 340/10.1,
340/571, 572.1, 572.9, 572.8; 40/625; 292/307 A,
292/326; 224/221; 42/70.11; 70/16
See application file for complete search history.

(56) **References Cited**

U.S. PATENT DOCUMENTS

5,655,392	A *	8/1997	Holmgren	70/57.1
5,671,619	A *	9/1997	Hou	70/209
D427,929	S *	7/2000	Sayegh	D10/104
D460,012	S *	7/2002	Proulx et al.	D10/106
D466,426	S *	12/2002	Proulx et al.	D10/104
D474,417	S *	5/2003	Belden et al.	D10/104
D503,900	S *	4/2005	Sayegh	D10/104
7,148,805	B2 *	12/2006	Hogan	340/572.9

7,474,216 B2 * 1/2009 Skjellerup et al. 340/572.1
2005/0270155 A1 * 12/2005 Sayegh 340/572.1

* cited by examiner

Primary Examiner—Caron Veynar
Assistant Examiner—George D Kirschbaum

(57) **CLAIM**

The ornamental design for the pinless security device, as shown and described.

DESCRIPTION

FIG. 1 is a front perspective view showing the new design taken from the bottom end and right side thereof;

FIG. 2 is a right side elevational view thereof;

FIG. 3 is a left side elevational view thereof;

FIG. 4 is a front view thereof

FIG. 5 is a rear view thereof

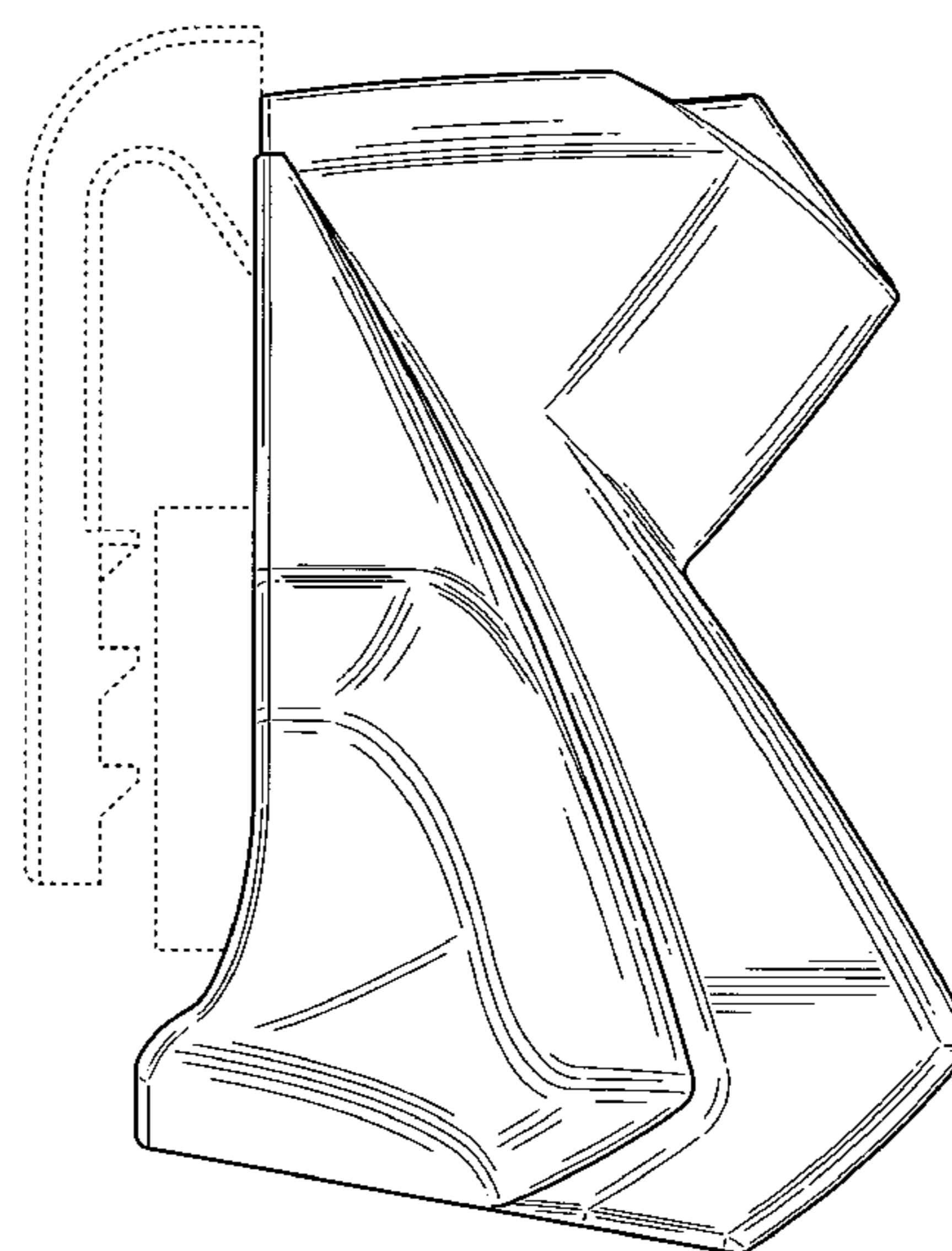
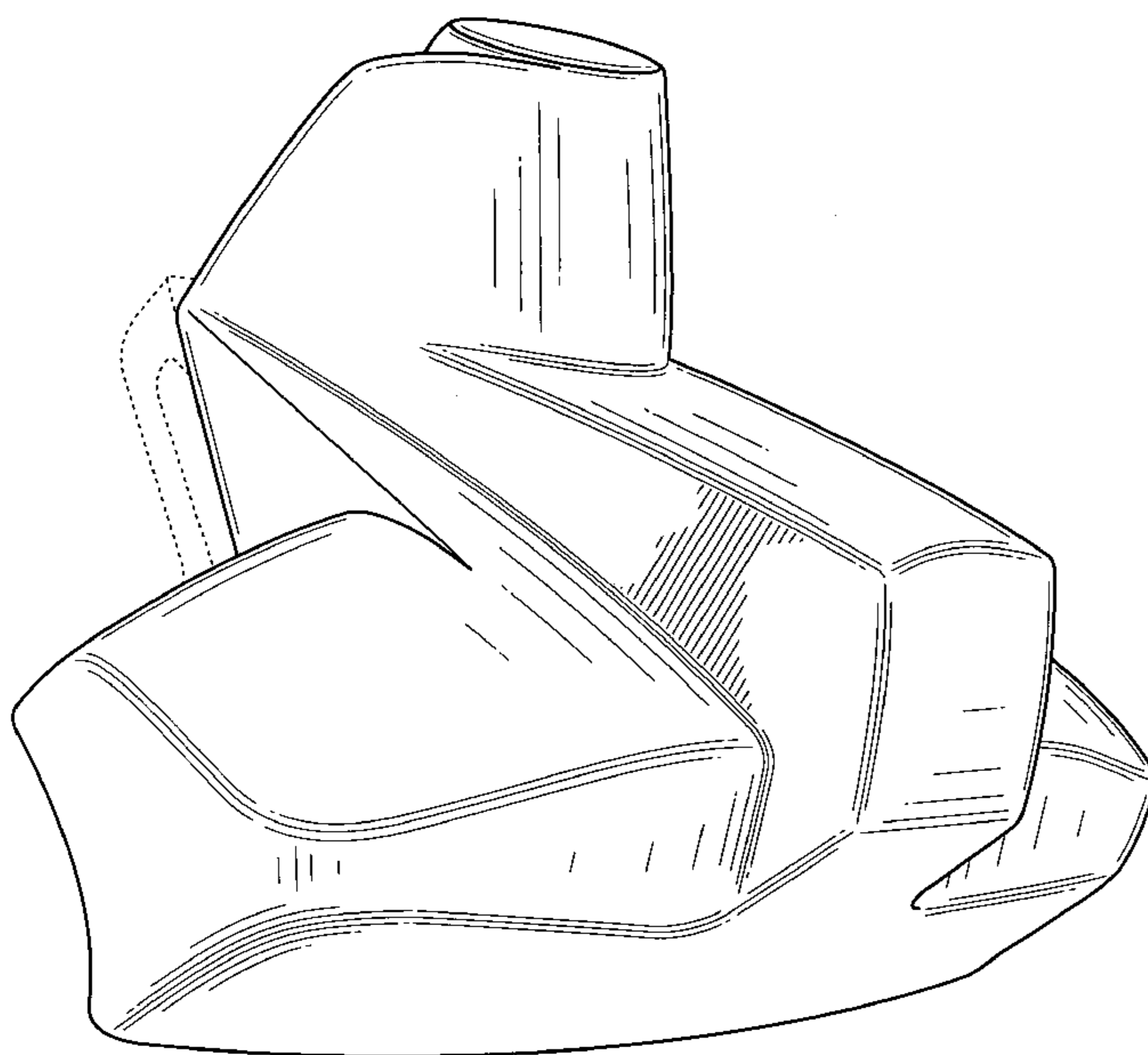
FIG. 6 is a top end view thereof;

FIG. 7 is a bottom end view thereof; and,

FIG. 8 is a perspective view thereof illustrating the pinless security device attached to a shoe, with the shoe shown in phantom.

The retaining clip portion shown in broken lines in FIGS. 1–8 forms no part of the claimed design.

1 Claim, 8 Drawing Sheets



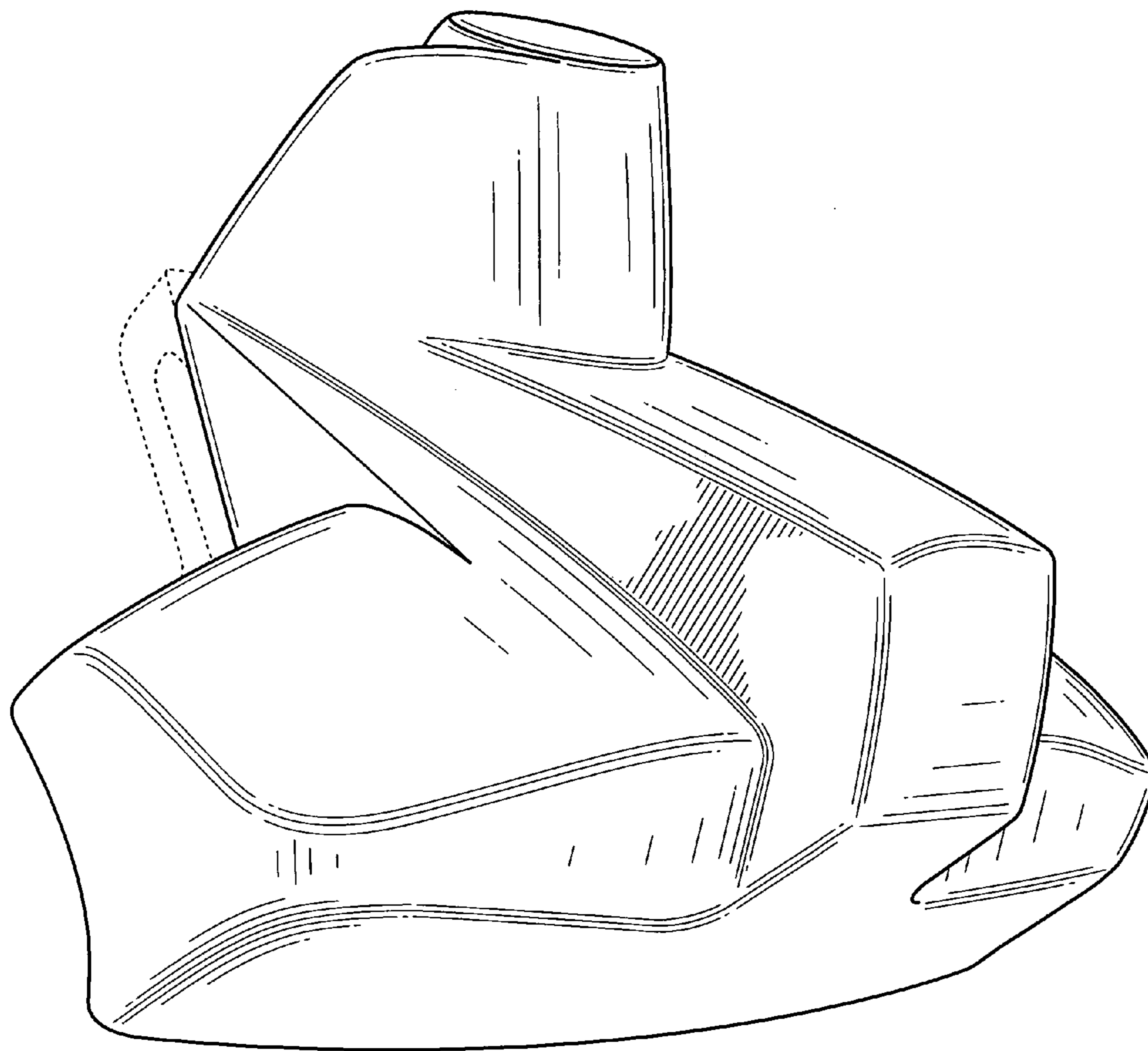


FIG. 1

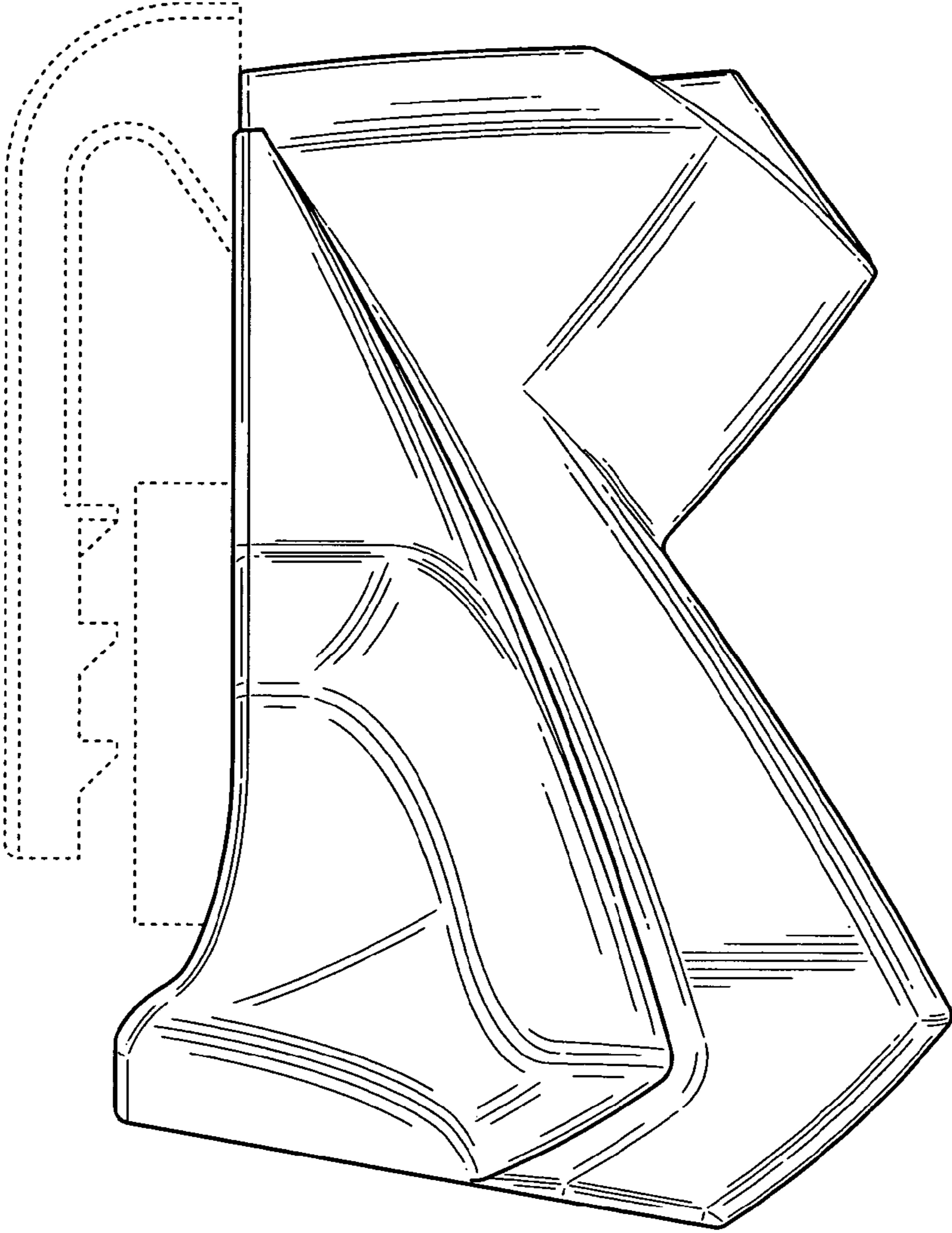


FIG. 2

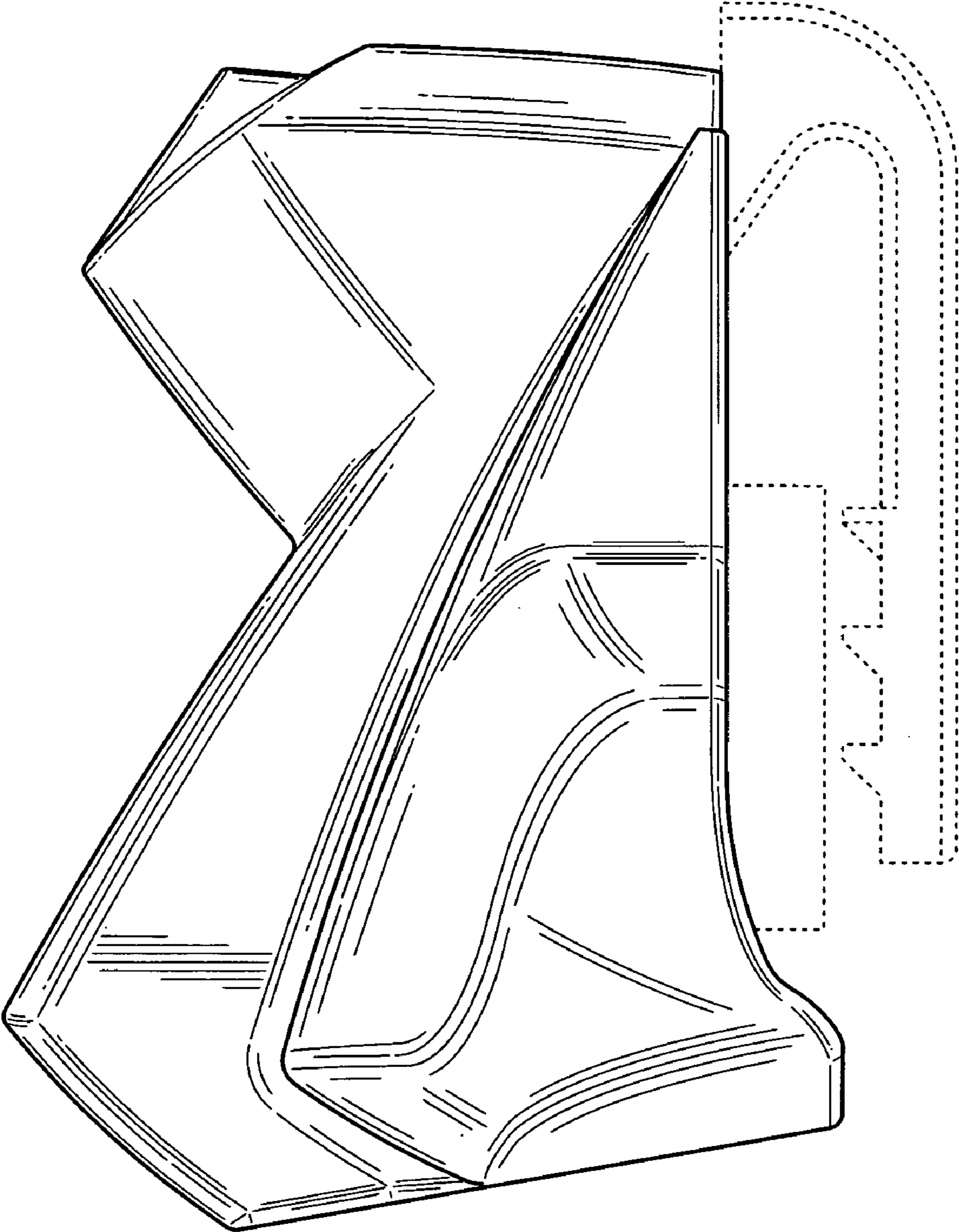


FIG. 3

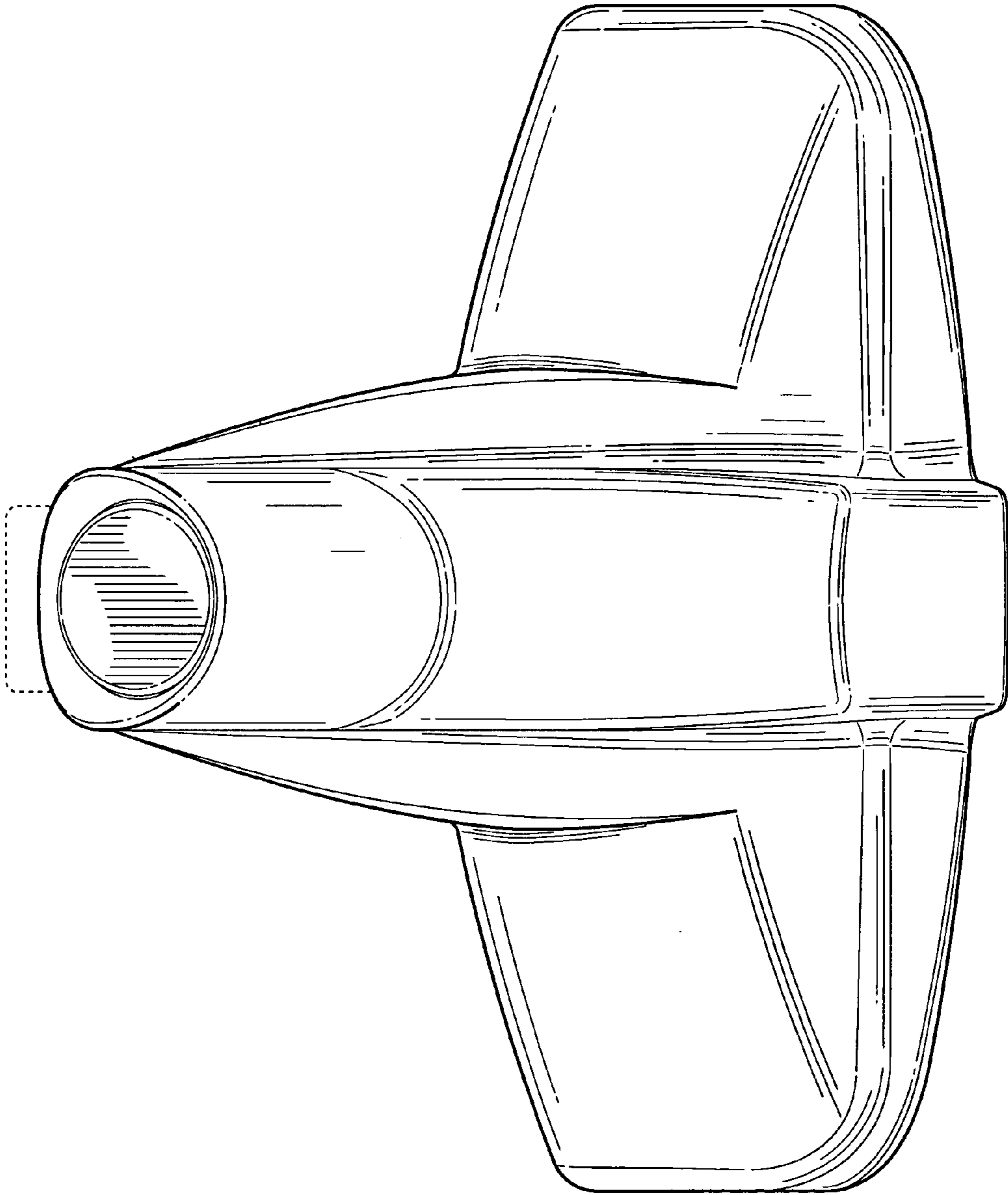


FIG. 4

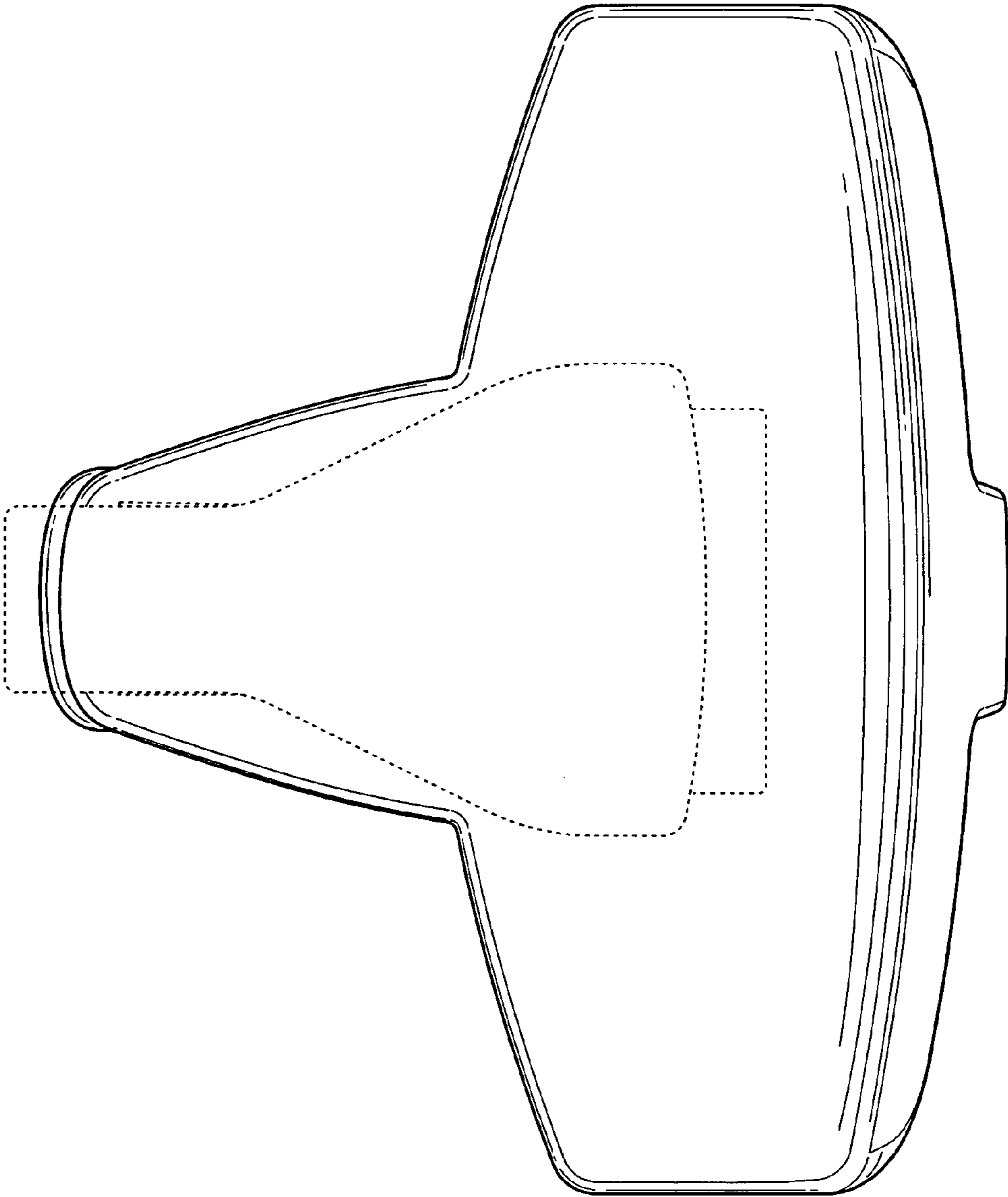


FIG. 5

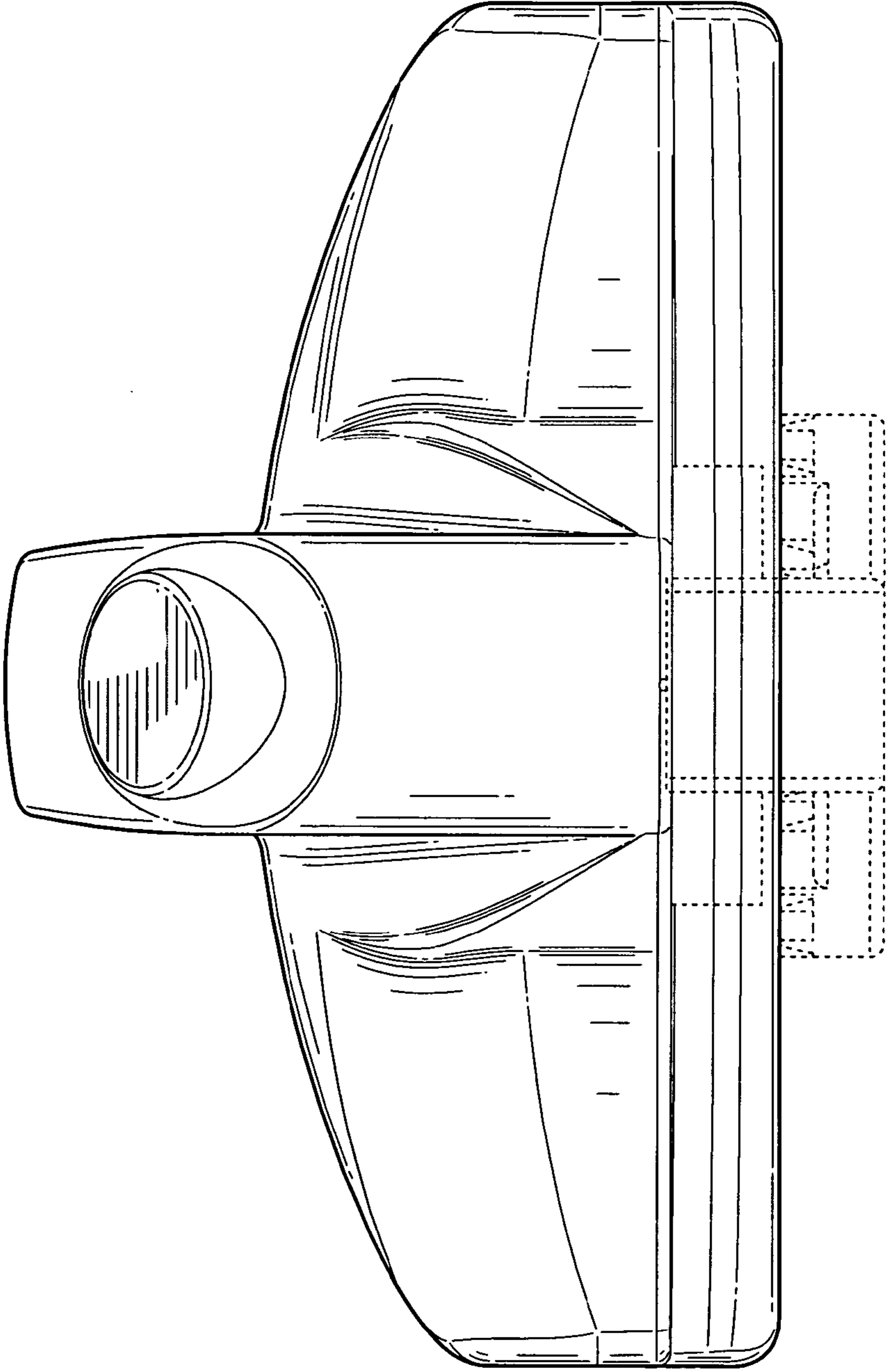


FIG. 6

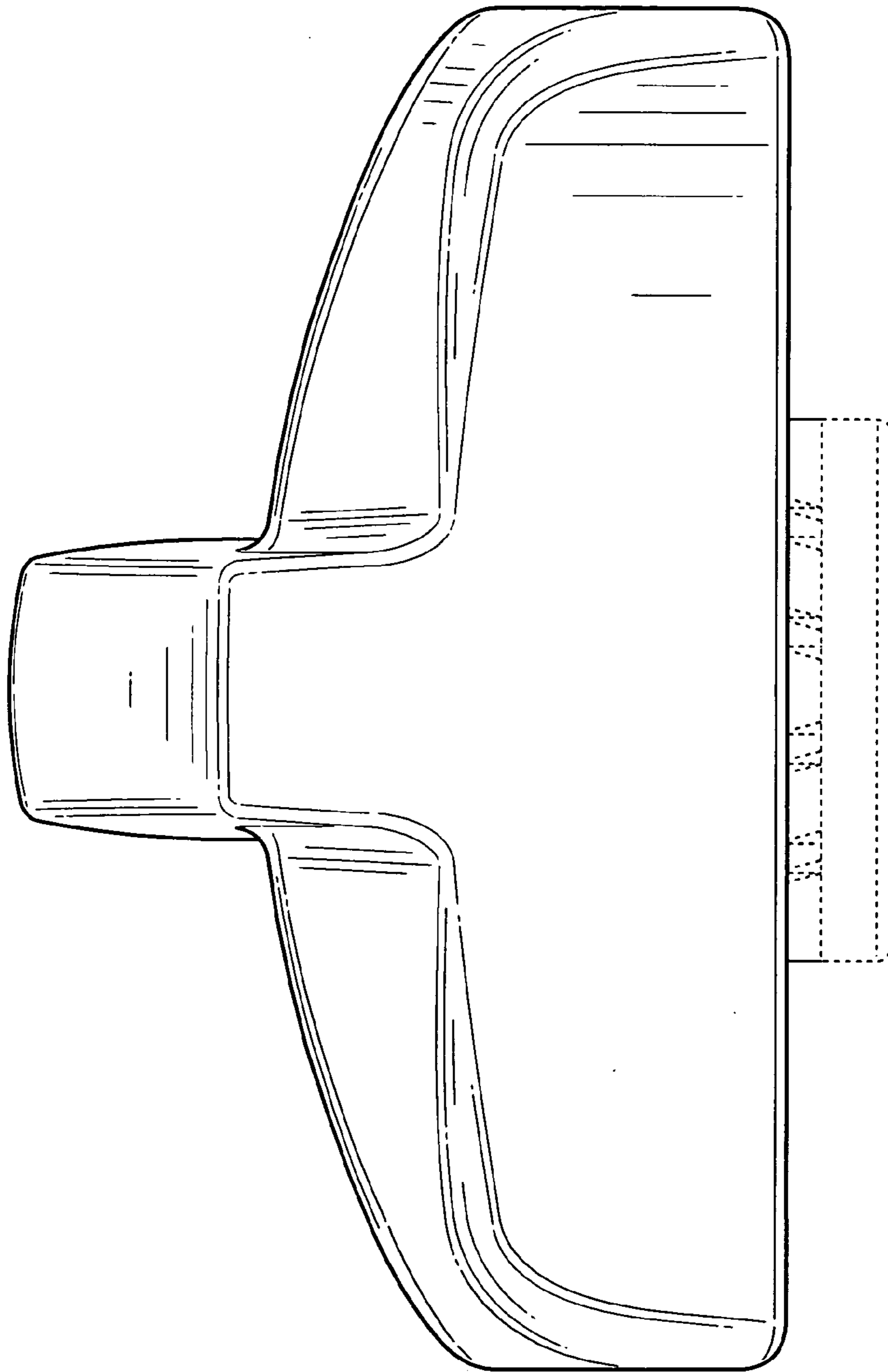


FIG. 7

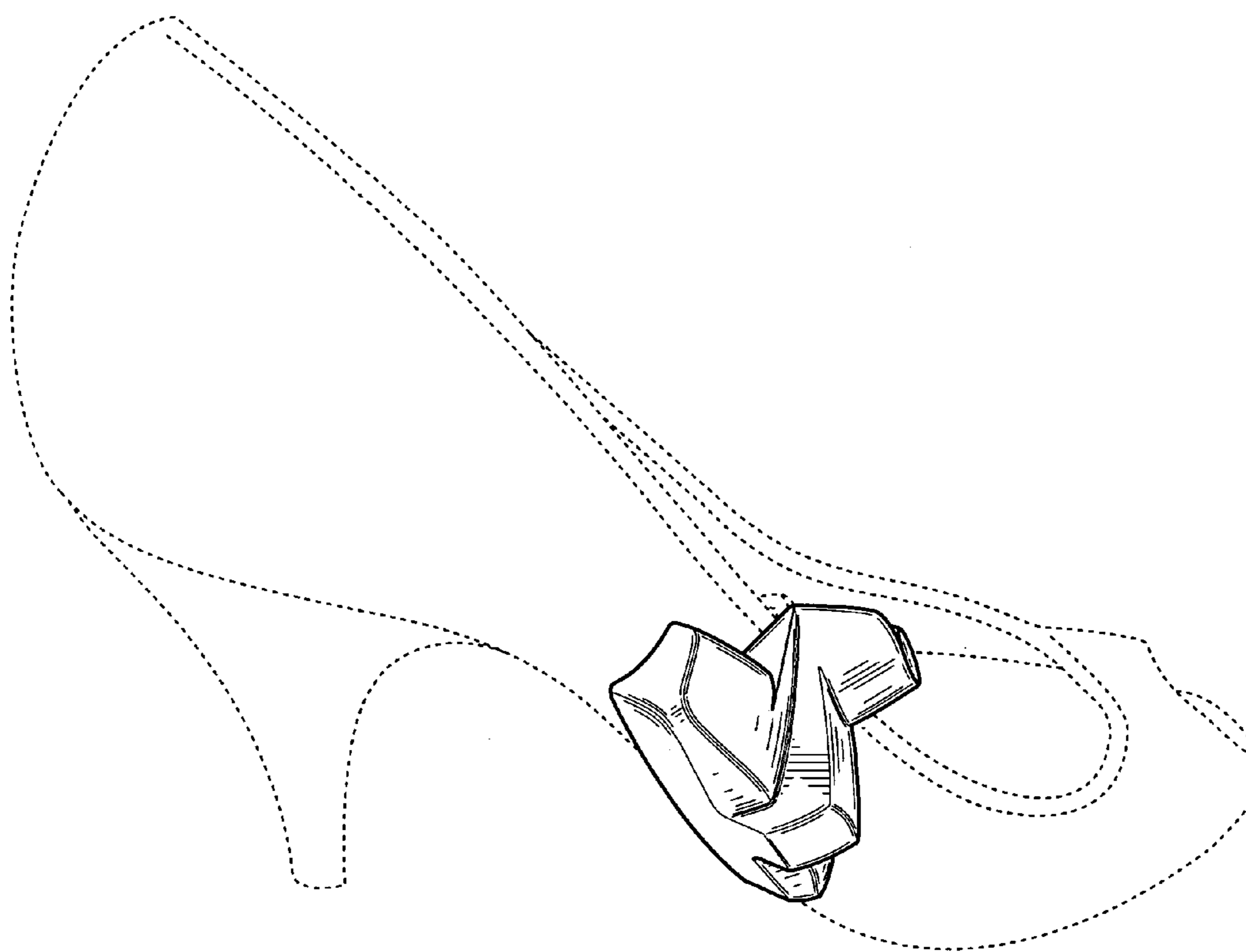


FIG. 8