



US00D611861S

(12) **United States Design Patent**
Wiedeman et al.

(10) **Patent No.:** **US D611,861 S**
(45) **Date of Patent:** **** Mar. 16, 2010**

(54) **GAUGE CLUSTER**

(75) Inventors: **Michael Eric Wiedeman**, San Pedro, CA (US); **Cameron Dwight Mauldin**, Torrance, CA (US)

(73) Assignee: **Honda Motor Co., Ltd.**, Tokyo (JP)

(**) Term: **14 Years**

(21) Appl. No.: **29/344,040**

(22) Filed: **Sep. 22, 2009**

Related U.S. Application Data

(63) Continuation of application No. 29/333,734, filed on Mar. 13, 2009, and a continuation of application No. 29/335,040, filed on Apr. 7, 2009.

(51) **LOC (9) Cl.** **10-04**

(52) **U.S. Cl.** **D10/102**

(58) **Field of Classification Search** D10/102;
116/286, 288, 62.1; 180/90; 280/750-752;
296/70; 313/582-584; 342/357.06, 357.09,
342/357.1, 357.13; 343/702; 345/60, 156,
345/158, 824; 361/697; 362/29, 489, 23;
455/12.1, 86, 406; 700/17; 701/206-209,
701/213-214

See application file for complete search history.

(56) **References Cited**

U.S. PATENT DOCUMENTS

D261,752 S * 11/1981 Iwakura D10/102
D554,015 S * 10/2007 Shimizugami et al. D10/102
D581,302 S * 11/2008 Wyszogrod et al. D10/102
D589,388 S * 3/2009 Sauter D10/102

* cited by examiner

Primary Examiner—Antoine D Davis

(74) *Attorney, Agent, or Firm*—Plumsea Law Group, LLC; Mark E. Duell

(57) **CLAIM**

The ornamental design for a gauge cluster, as shown and described.

DESCRIPTION

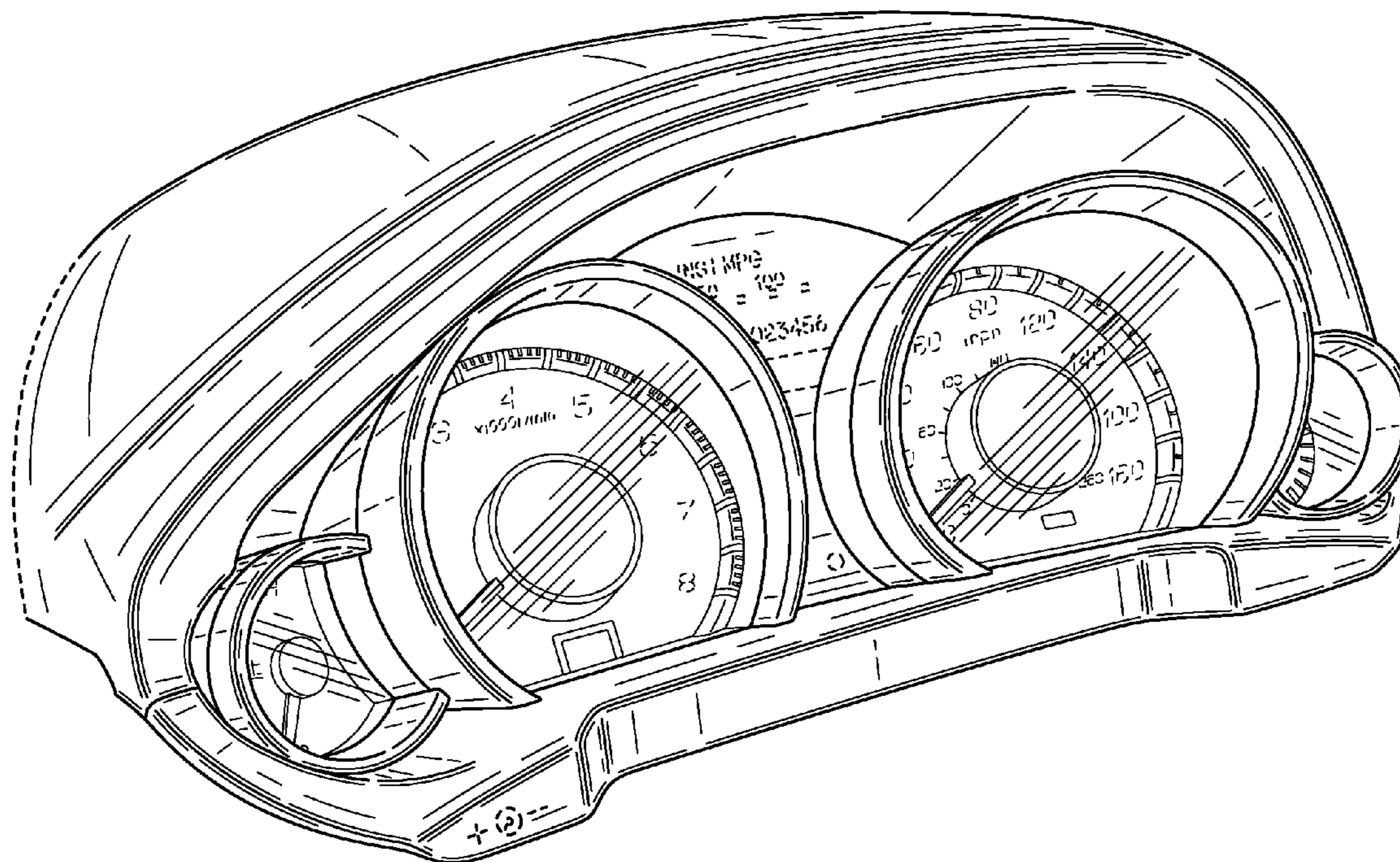
FIG. 1 is a perspective view of a gauge cluster showing our new design;

FIG. 2 is a side view thereof; and,

FIG. 3 is a front view thereof.

The broken line showings of the gauge cluster boundary, the indicia and lines on the gauge faces depict environmental subject matter and form no part of the claimed design.

1 Claim, 3 Drawing Sheets



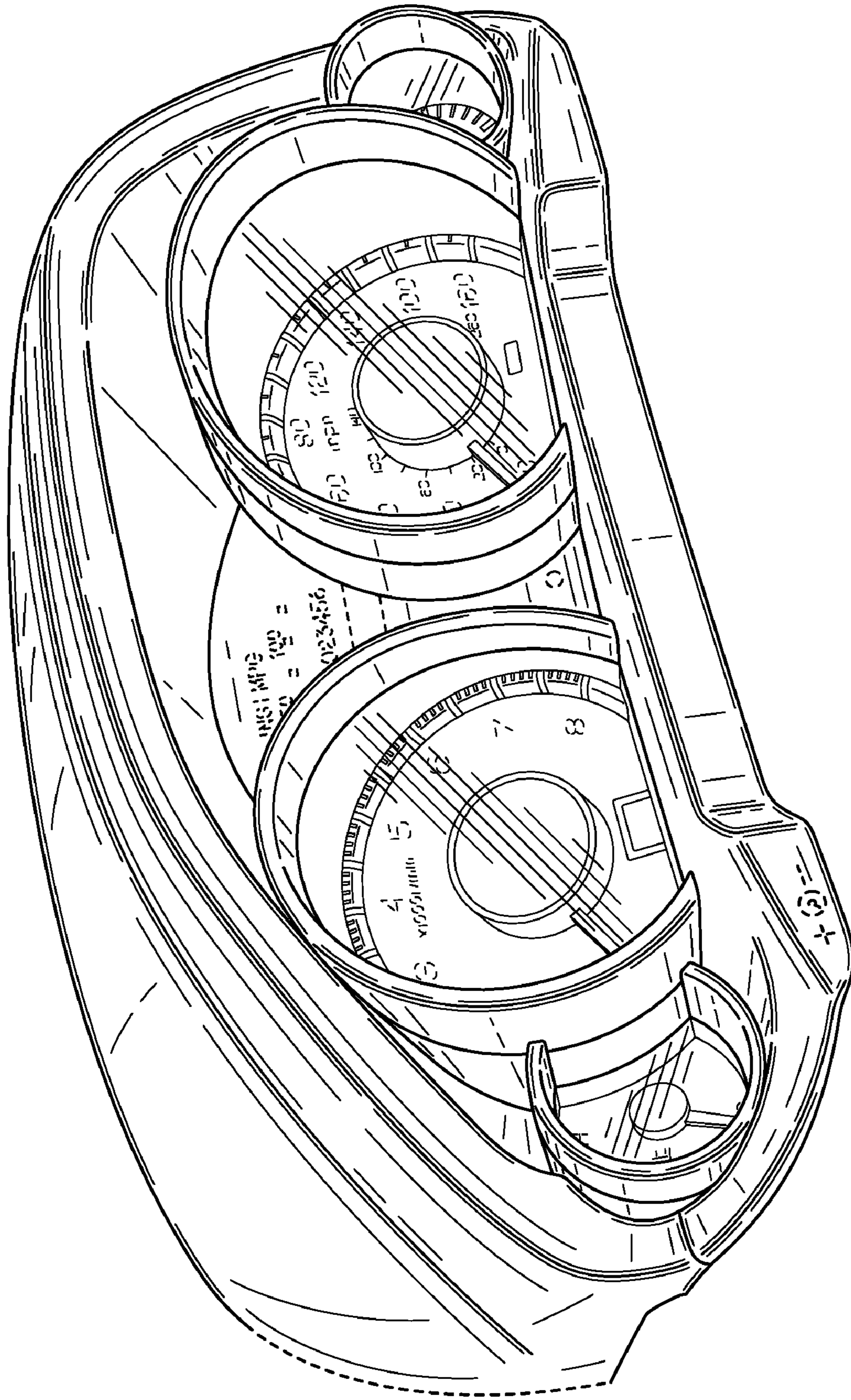


FIG. 1

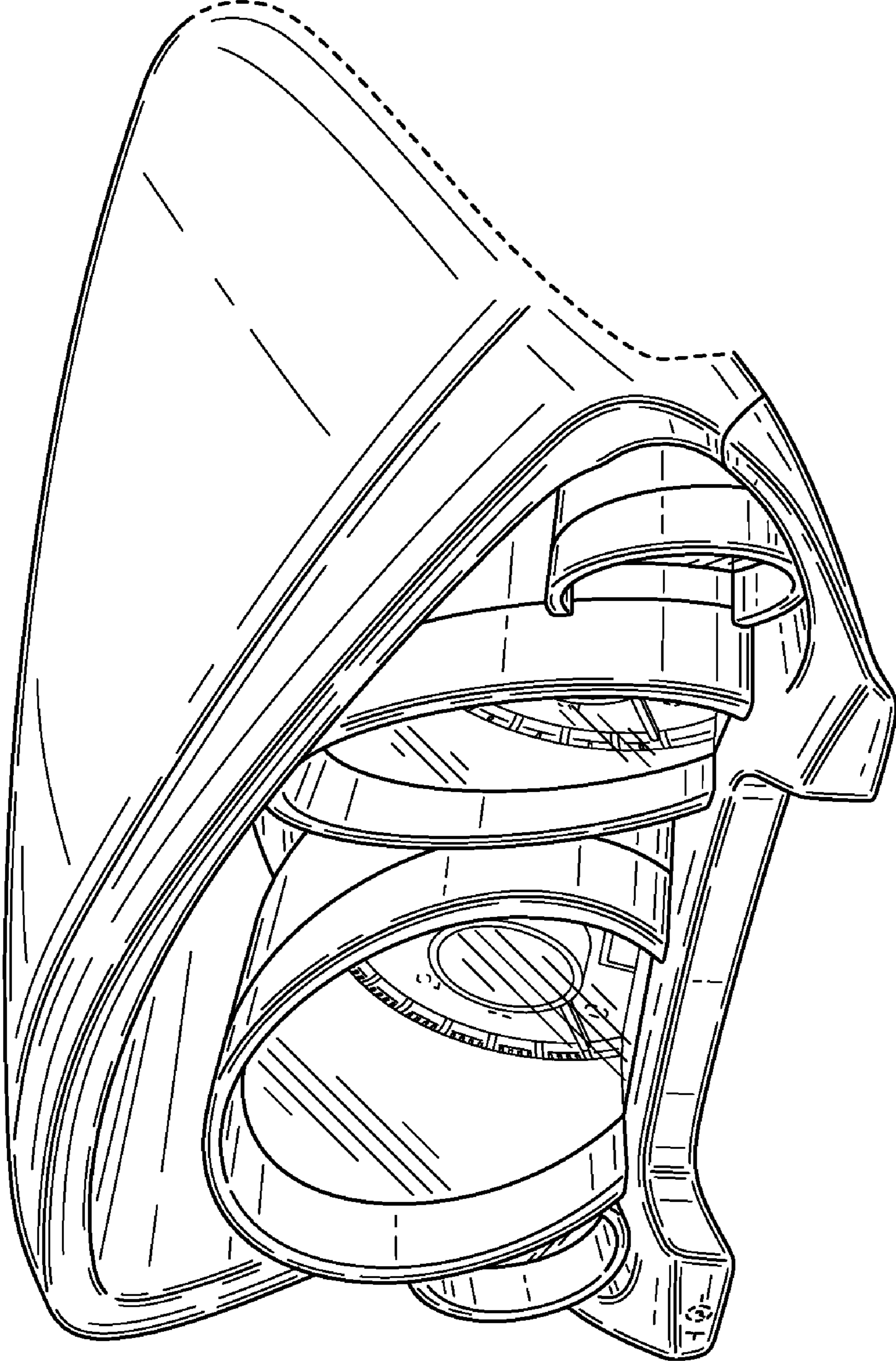


FIG. 2

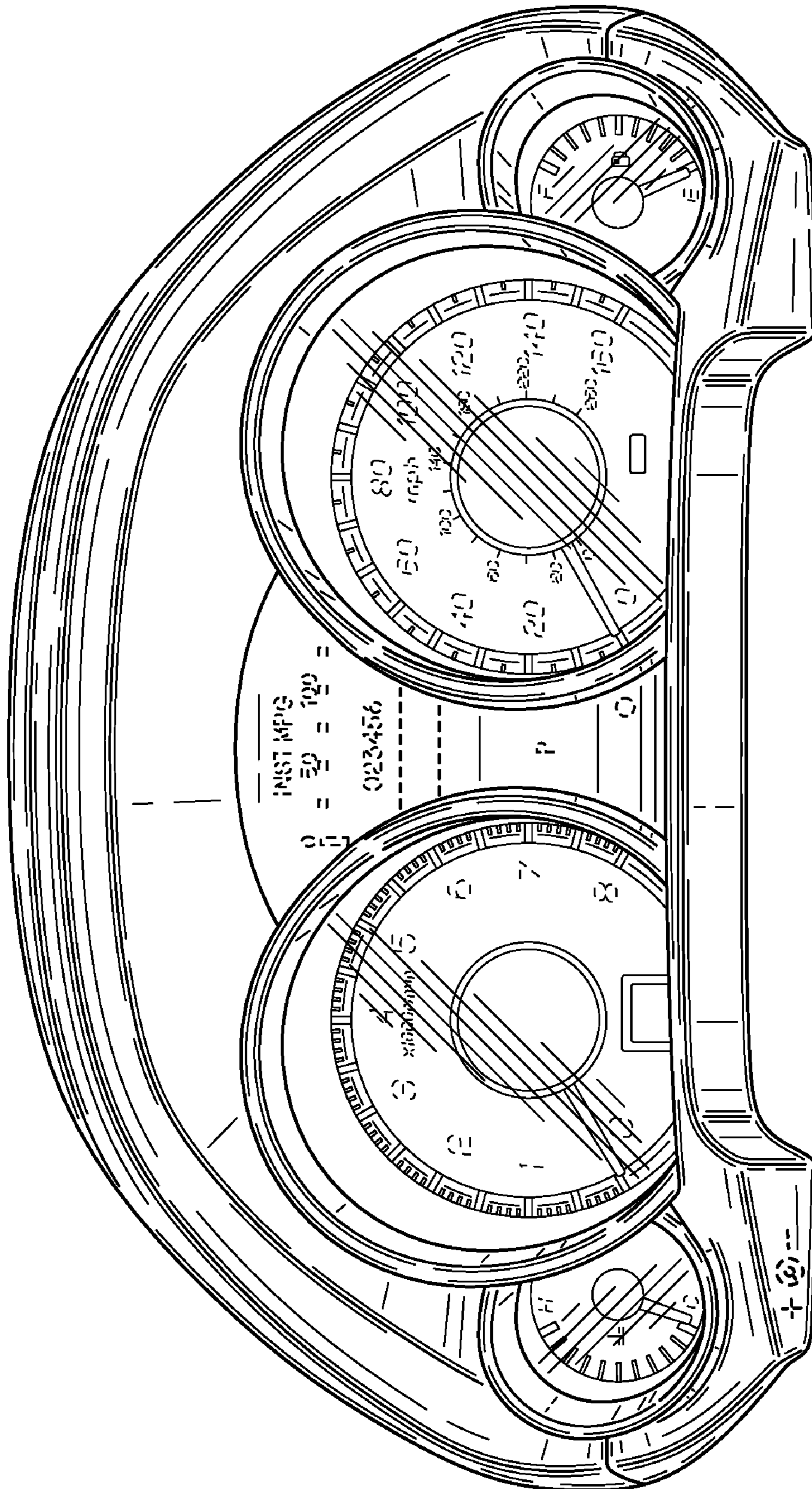


FIG. 3