



US00D611860S

(12) **United States Design Patent**
Gismervik

(10) **Patent No.:** **US D611,860 S**
(45) **Date of Patent:** **** Mar. 16, 2010**

(54) **LEVEL SENSOR**

(75) Inventor: **Øystein Gismervik**, Fyllingsdalen (NO)

(73) Assignee: **Wema-System AS**, Laksevag (NO)

(**) Term: **14 Years**

(21) Appl. No.: **29/335,756**

(22) Filed: **Apr. 21, 2009**

(51) **LOC (9) Cl.** **10-04**

(52) **U.S. Cl.** **D10/101**

(58) **Field of Classification Search** D10/101;
73/1.73, 149, 290 V, 290 R, 293, 304 R, 304 C,
73/305, 313, 314, 317, 865.9

See application file for complete search history.

(56) **References Cited**

U.S. PATENT DOCUMENTS

3,170,328	A *	2/1965	Werner et al.	338/28
5,079,950	A *	1/1992	McKiernan et al.	73/313
D350,297	S *	9/1994	Weisel	D10/103
5,524,487	A *	6/1996	Liu	73/313
D397,630	S *	9/1998	Clifton	D10/101

D397,631	S *	9/1998	Riegel	D10/101
D413,826	S *	9/1999	Housey et al.	D10/101
D430,050	S *	8/2000	Housey et al.	D10/101
D431,483	S *	10/2000	Housey	D10/101
7,131,326	B2 *	11/2006	Ohmayer	73/290 V
D537,743	S *	3/2007	Liu	D10/101
2008/0141770	A1 *	6/2008	Aguglia	73/304 C

* cited by examiner

Primary Examiner—Antoine D Davis

(74) *Attorney, Agent, or Firm*—Fredrikson & Byron, P.A.

(57) **CLAIM**

The ornamental design for a level sensor, as shown and described.

DESCRIPTION

FIG. 1 is a front perspective view of a level sensor incorporating my new design;

FIG. 2 is a left side view thereof;

FIG. 3 is a top view thereof; and,

FIG. 4 is a front view thereof.

1 Claim, 4 Drawing Sheets

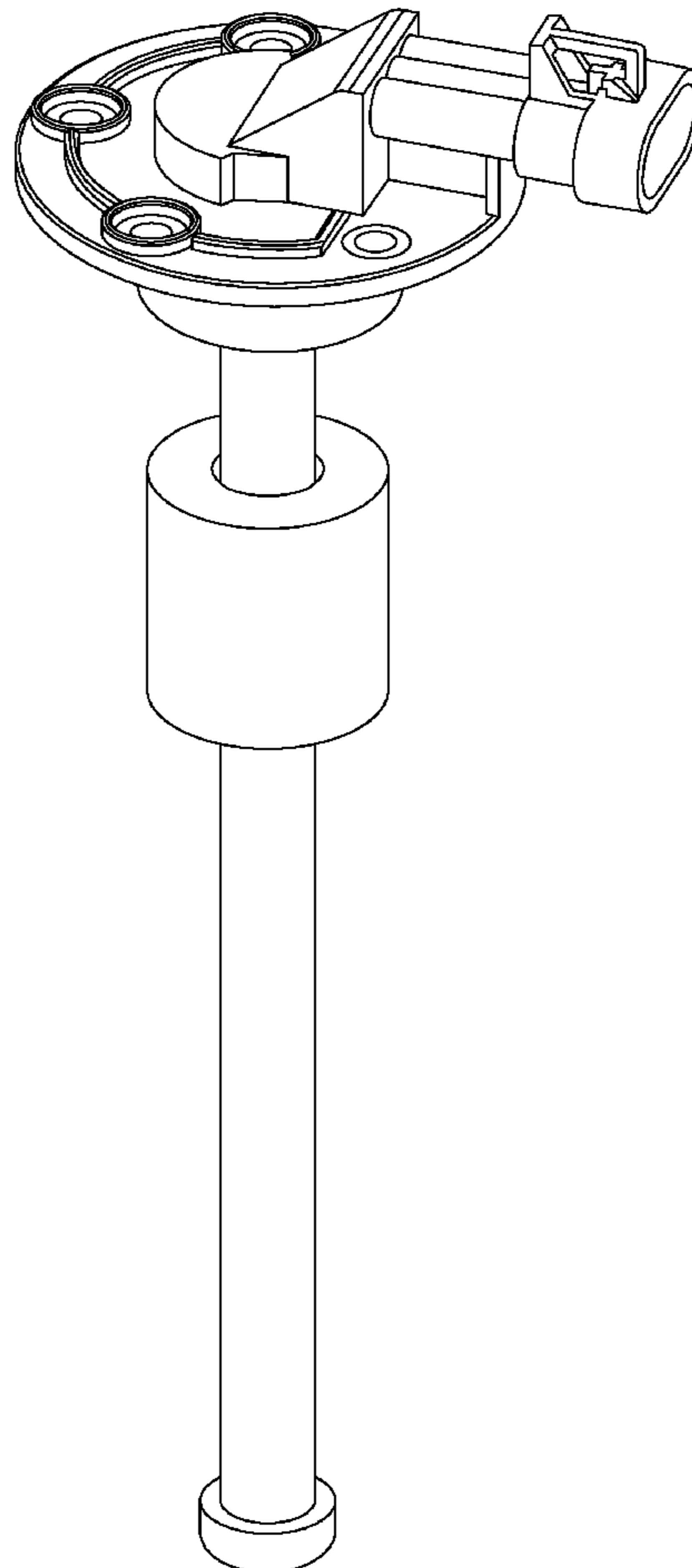


Fig. 1

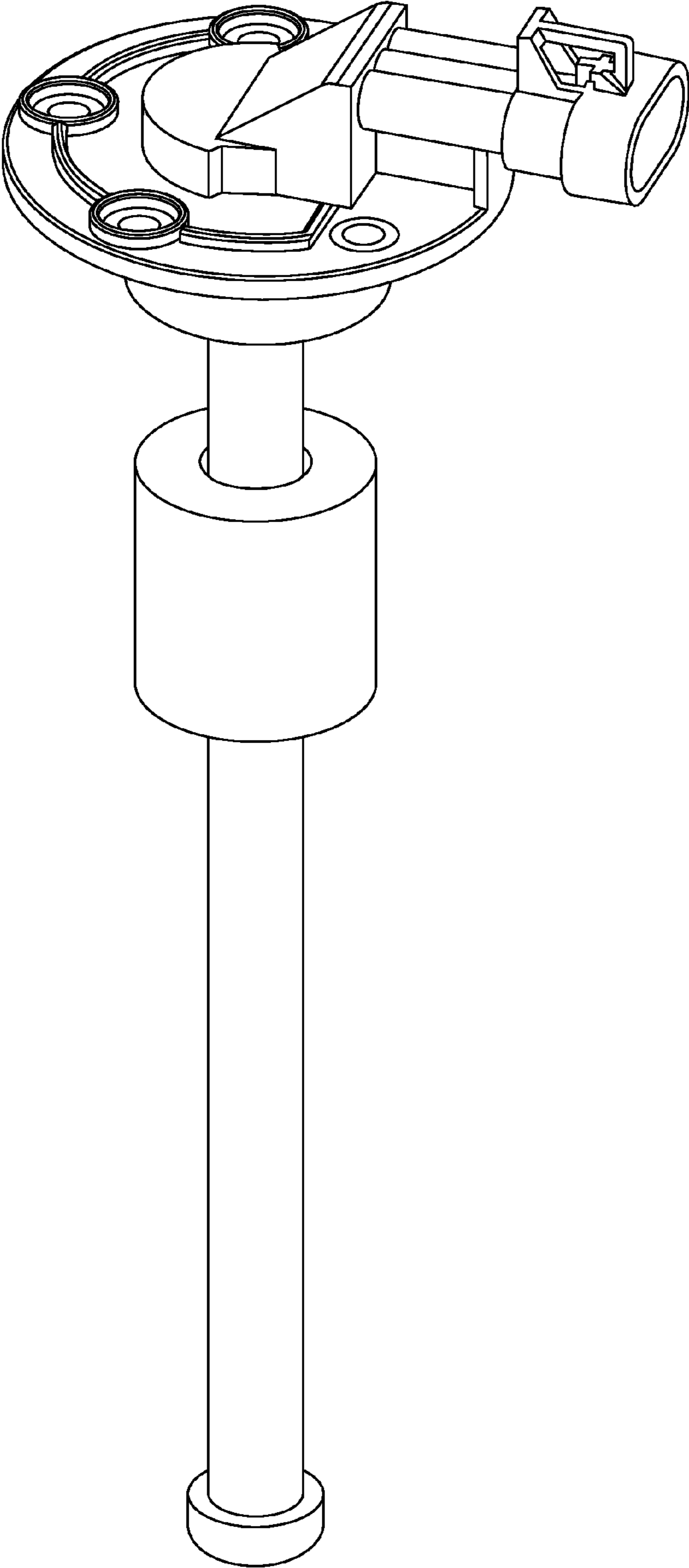


Fig. 2

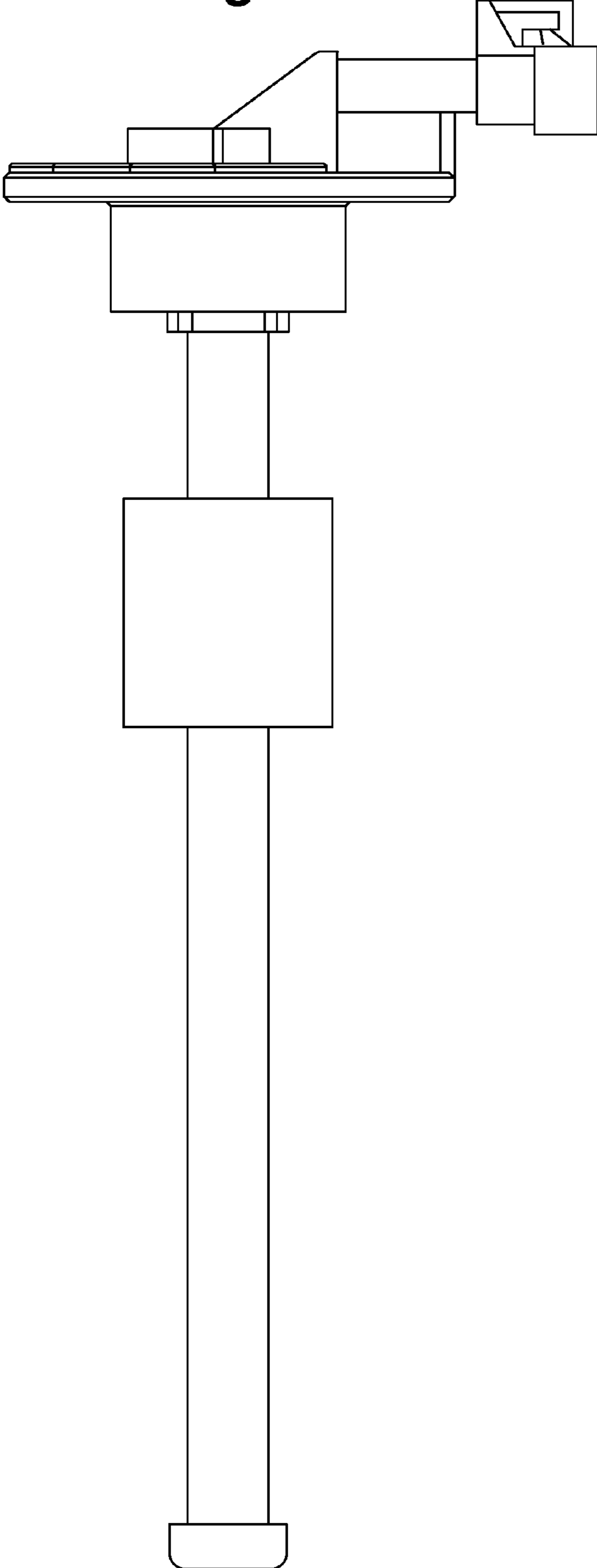


Fig. 3

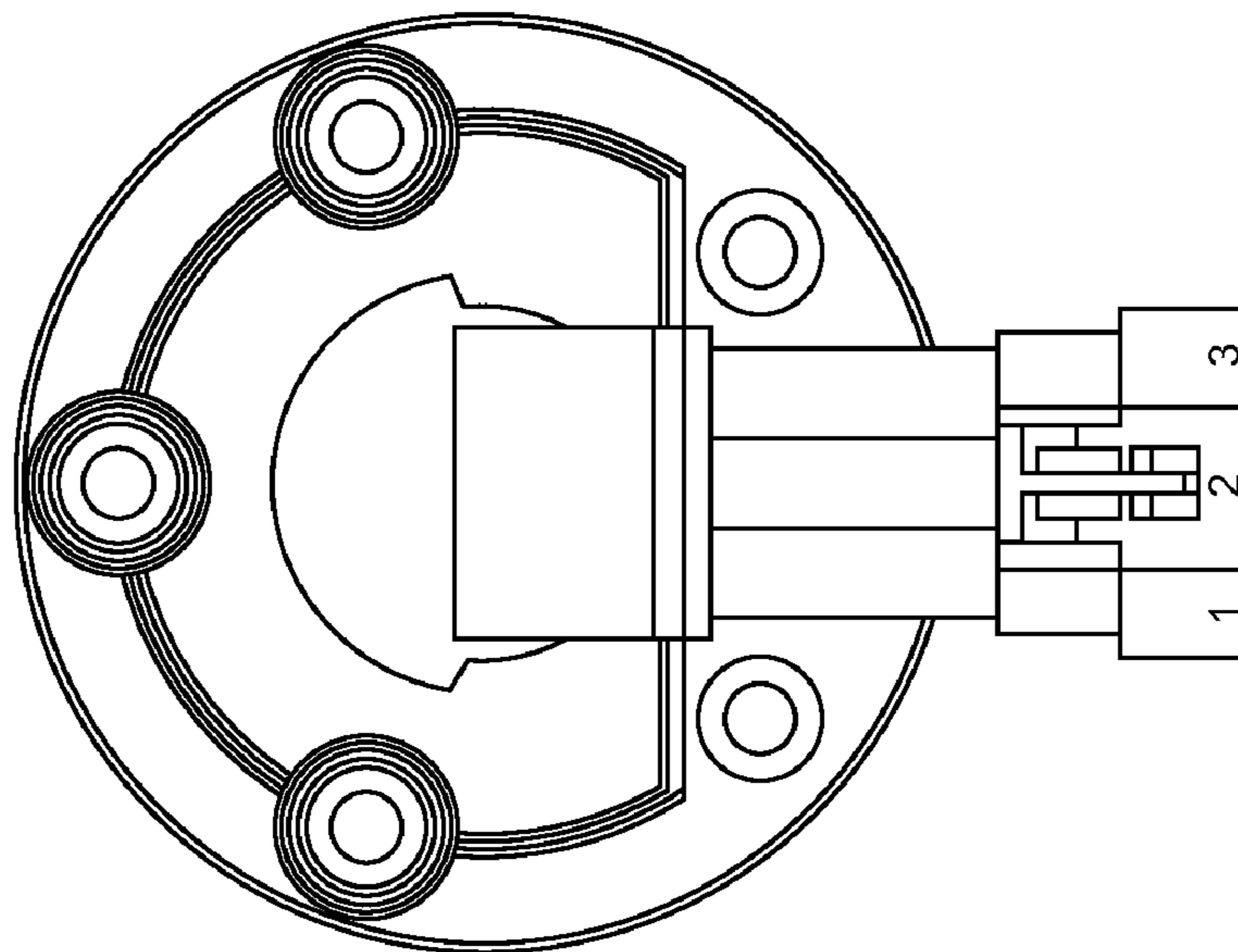


Fig. 4

