



US00D611859S

(12) **United States Design Patent**
Gismervik

(10) **Patent No.:** **US D611,859 S**
(45) **Date of Patent:** **** Mar. 16, 2010**

(54) **LEVEL SENSOR**
(75) Inventor: **Øystein Gismervik**, Fyllingsdalen (NO)
(73) Assignee: **Wema-System AS**, Laksevåg (NO)
(**) Term: **14 Years**
(21) Appl. No.: **29/335,742**
(22) Filed: **Apr. 21, 2009**

D397,631 S * 9/1998 Riegel D10/101
D413,826 S * 9/1999 Housey et al. D10/101
D430,050 S * 8/2000 Housey et al. D10/101
D431,483 S * 10/2000 Housey D10/101
7,131,326 B2 * 11/2006 Ohmayer 73/290 V
D537,743 S * 3/2007 Liu D10/101
2008/0141770 A1 * 6/2008 Aguglia 73/304 C

* cited by examiner

Primary Examiner—Antoine D Davis

(74) *Attorney, Agent, or Firm*—Fredrikson & Byron, P.A.

(51) **LOC (9) Cl.** **10-04**
(52) **U.S. Cl.** **D10/101**
(58) **Field of Classification Search** D10/101;
73/1.73, 149, 290 V, 290 R, 293, 304 R, 304 C,
73/305, 313, 314, 317, 865.9
See application file for complete search history.

(57) **CLAIM**

The ornamental design for level sensor, as shown and described.

DESCRIPTION

FIG. 1 is a front perspective view of a level sensor incorporating my new design;

FIG. 2 is a left side view thereof;

FIG. 3 is a top view thereof; and,

FIG. 4 is a front view thereof.

(56) **References Cited**

U.S. PATENT DOCUMENTS

3,170,328 A * 2/1965 Werner et al. 338/28
5,079,950 A * 1/1992 McKiernan et al. 73/313
D350,297 S * 9/1994 Weisel D10/103
5,524,487 A * 6/1996 Liu 73/313
D397,630 S * 9/1998 Clifton D10/101

1 Claim, 4 Drawing Sheets

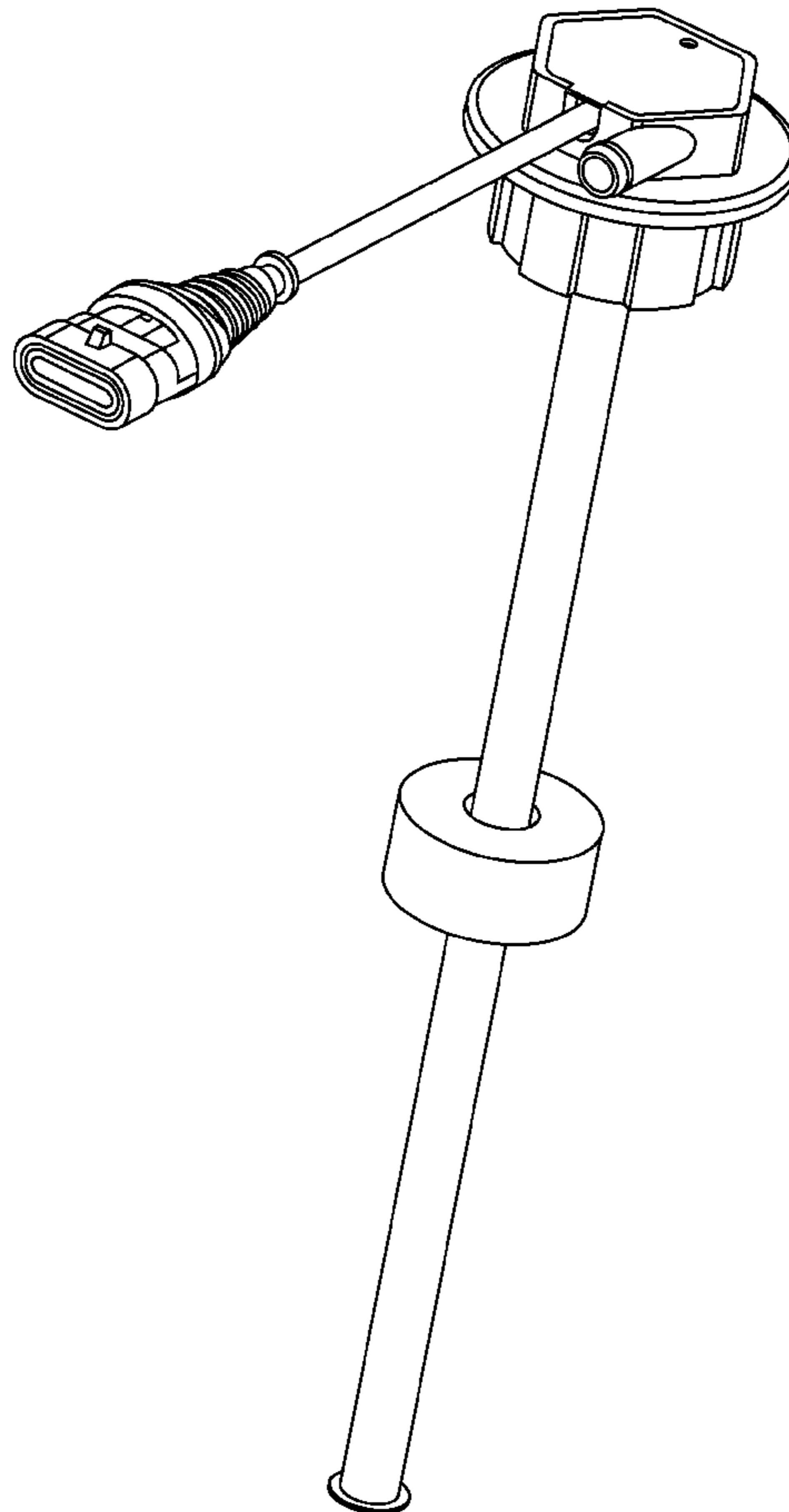


Fig. 1

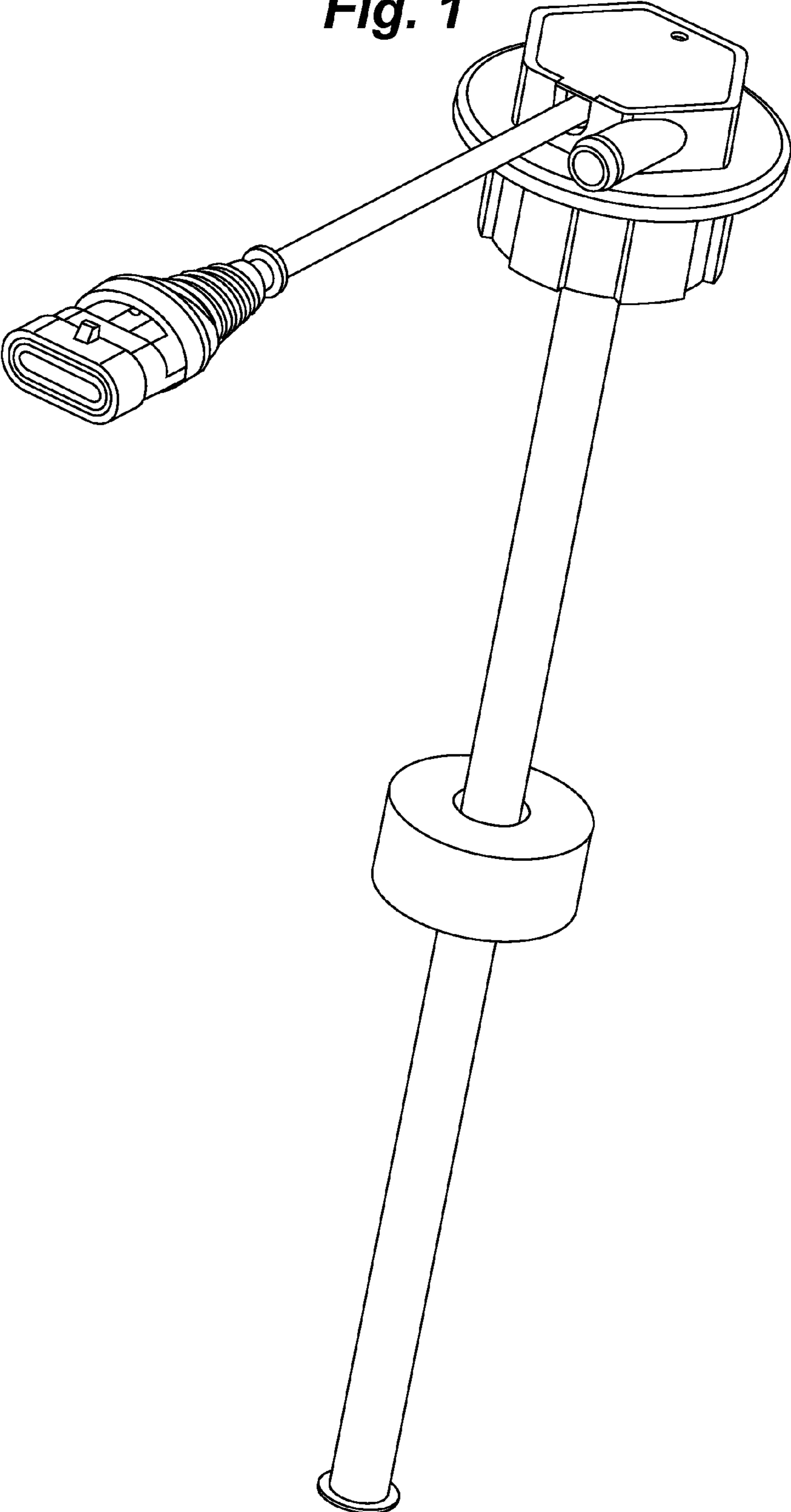


Fig. 2

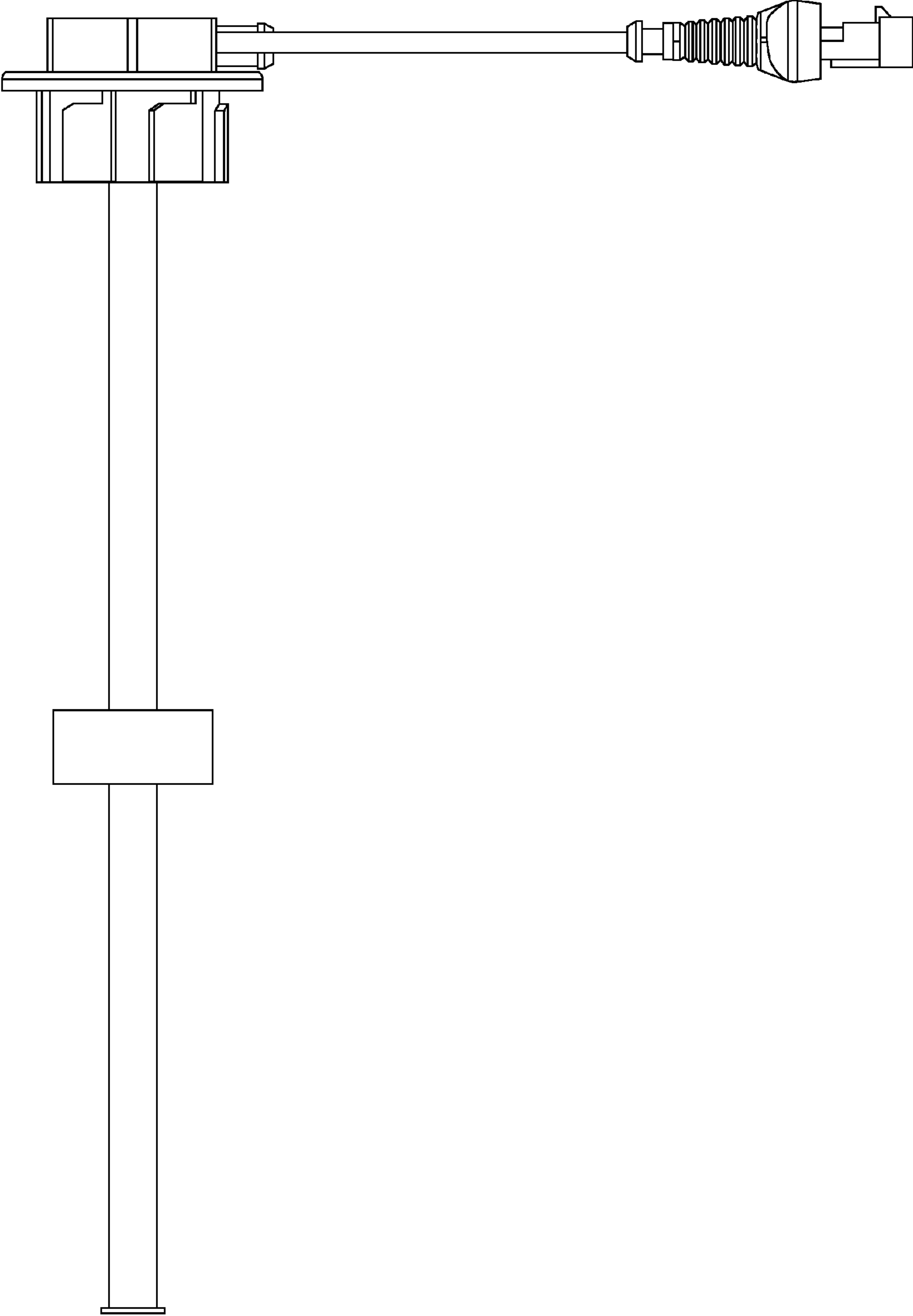


Fig. 3

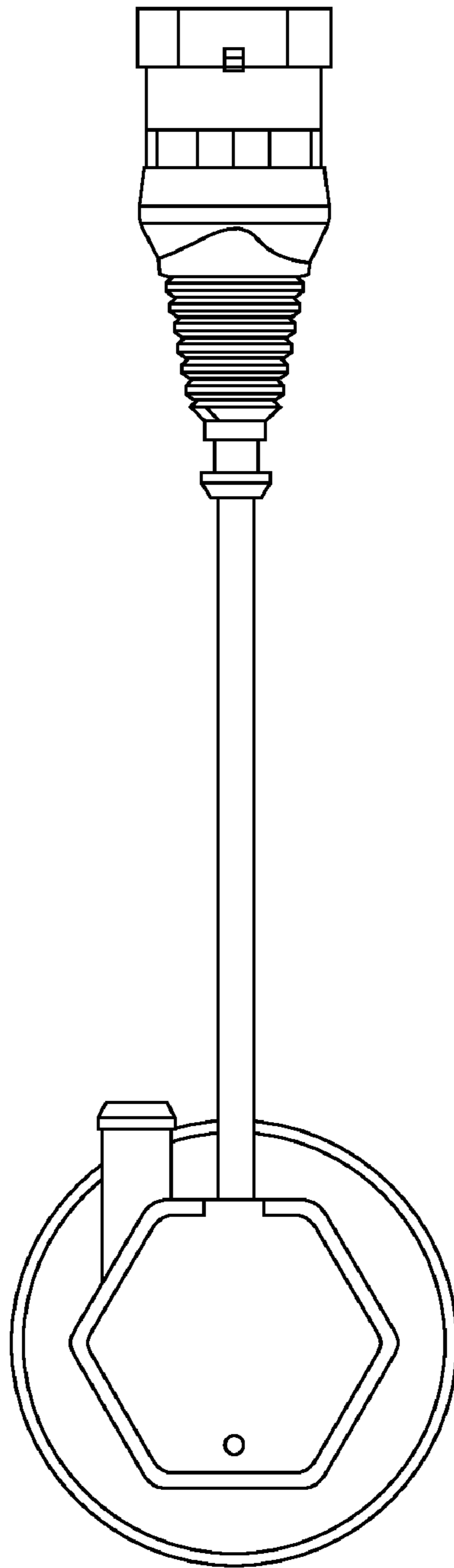


Fig. 4

