

US00D611858S

(12) **United States Design Patent**  
**Nagano**

(10) **Patent No.:** **US D611,858 S**  
(45) **Date of Patent:** **\*\* Mar. 16, 2010**

(54) **MEASURING INSTRUMENT FOR BICYCLE**

D588,949 S \* 3/2009 Ueda ..... D10/98

(75) Inventor: **Toshiyuki Nagano**, Osaka (JP)

\* cited by examiner

(73) Assignee: **Cateye Co., Ltd.**, Osaka (JP)

*Primary Examiner*—Antoine D. Davis

(\*\*) Term: **14 Years**

(74) *Attorney, Agent, or Firm*—Olson & Cepuritis, Ltd.

(21) Appl. No.: **29/315,026**

(57) **CLAIM**

(22) Filed: **May 19, 2009**

The ornamental design for a measuring instrument for bicycle, as shown.

(30) **Foreign Application Priority Data**

**DESCRIPTION**

Dec. 22, 2008 (JP) ..... 2008-032527

(51) **LOC (9) Cl.** ..... **10-04**

FIG. 1 is a perspective view of a measuring instrument for bicycle showing my new design;

(52) **U.S. Cl.** ..... **D10/98**

FIG. 2 is a front view thereof;

(58) **Field of Classification Search** ..... D10/98;

FIG. 3 is a rear view thereof;

73/490, 493, 514.39, 527; 235/95 R; 324/160–180, 324/207.13, 207.22, 207.25; 340/432; 702/145–148  
See application file for complete search history.

FIG. 4 is a top plan view thereof;

FIG. 5 is a bottom plan view thereof;

FIG. 6 is a right side view thereof; and,

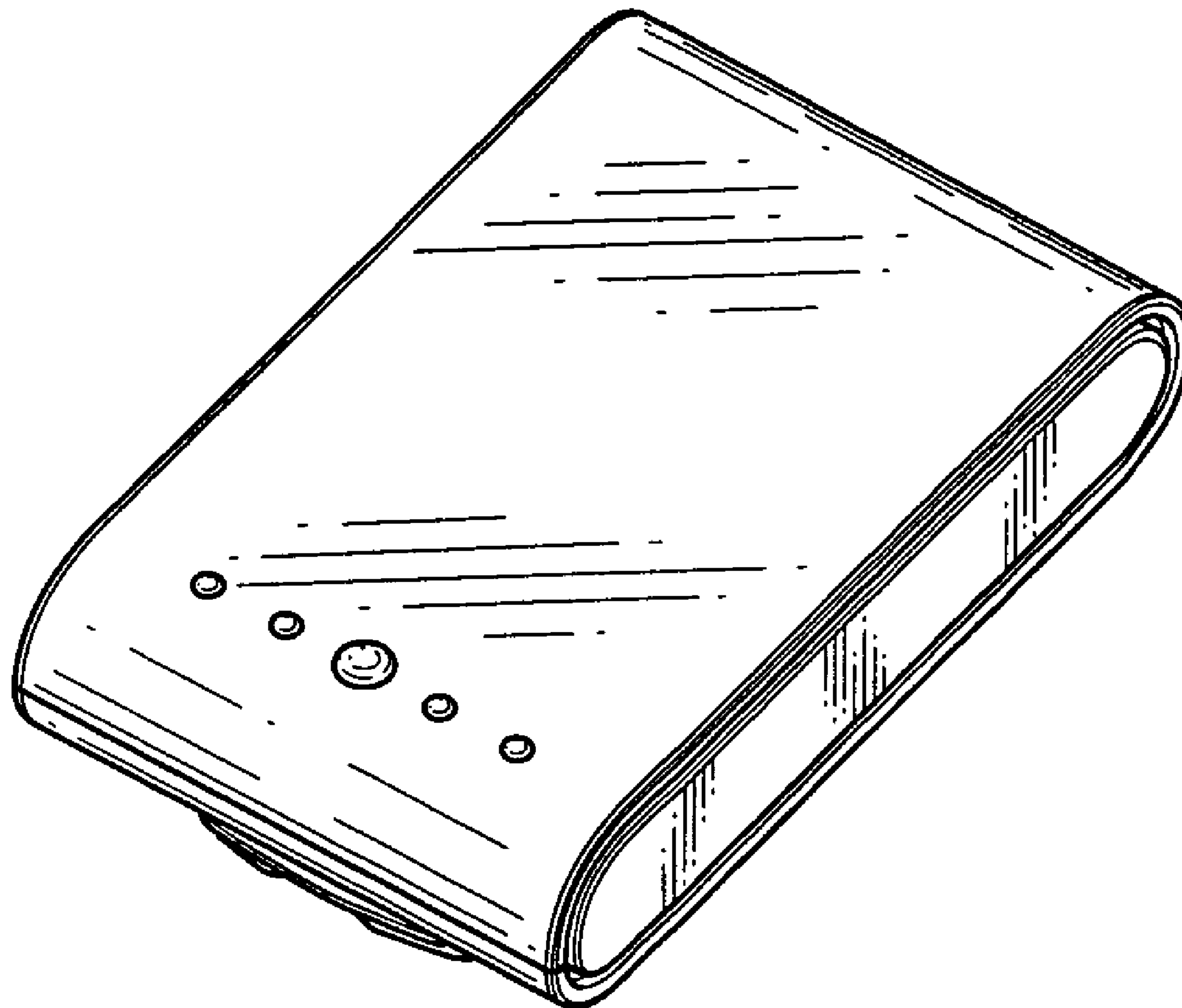
FIG. 7 is a left side view thereof.

(56) **References Cited**

**U.S. PATENT DOCUMENTS**

D553,528 S \* 10/2007 Ueda et al. .... D10/98

**1 Claim, 4 Drawing Sheets**



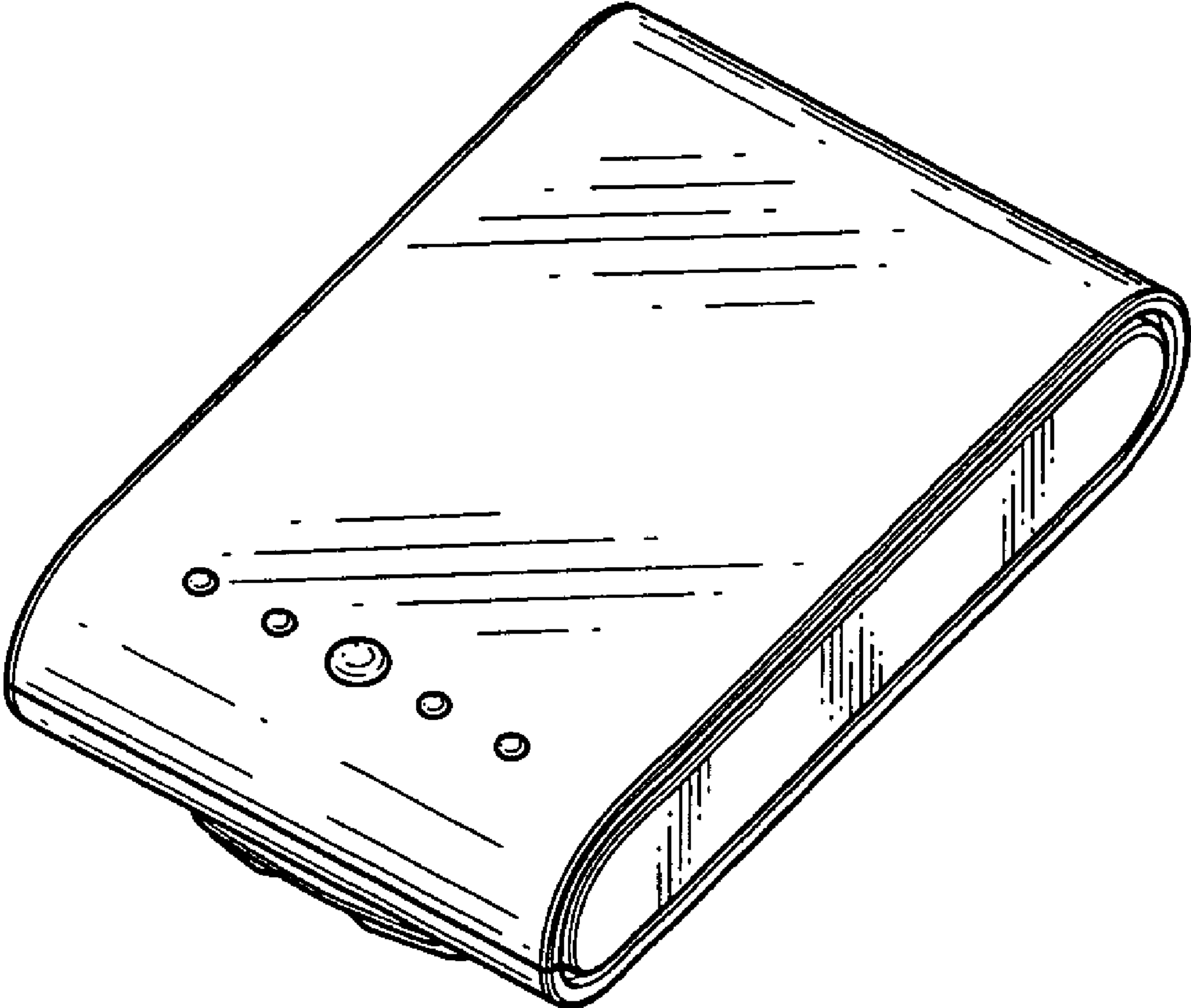


Fig. 1

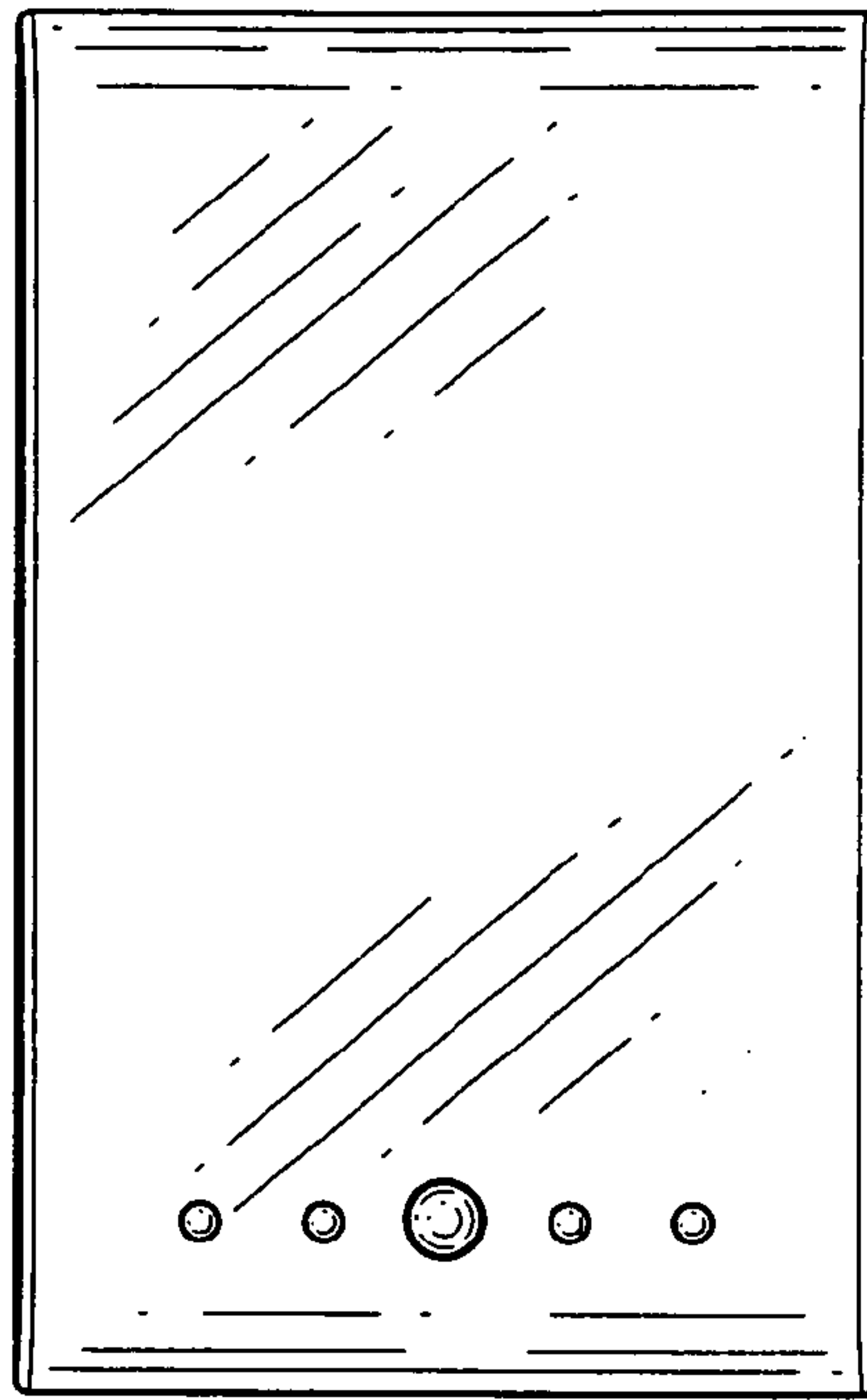


Fig. 2

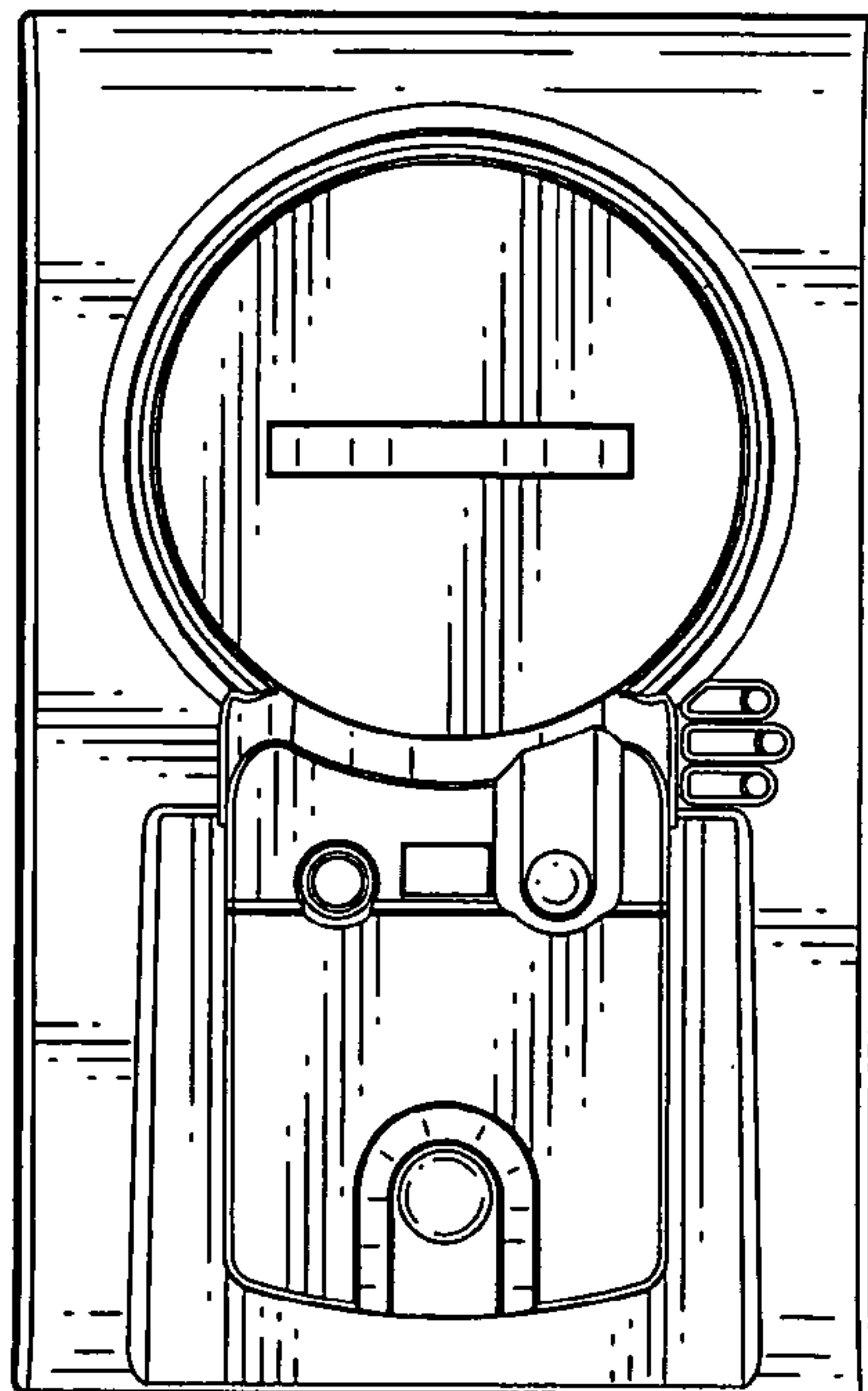


Fig. 3

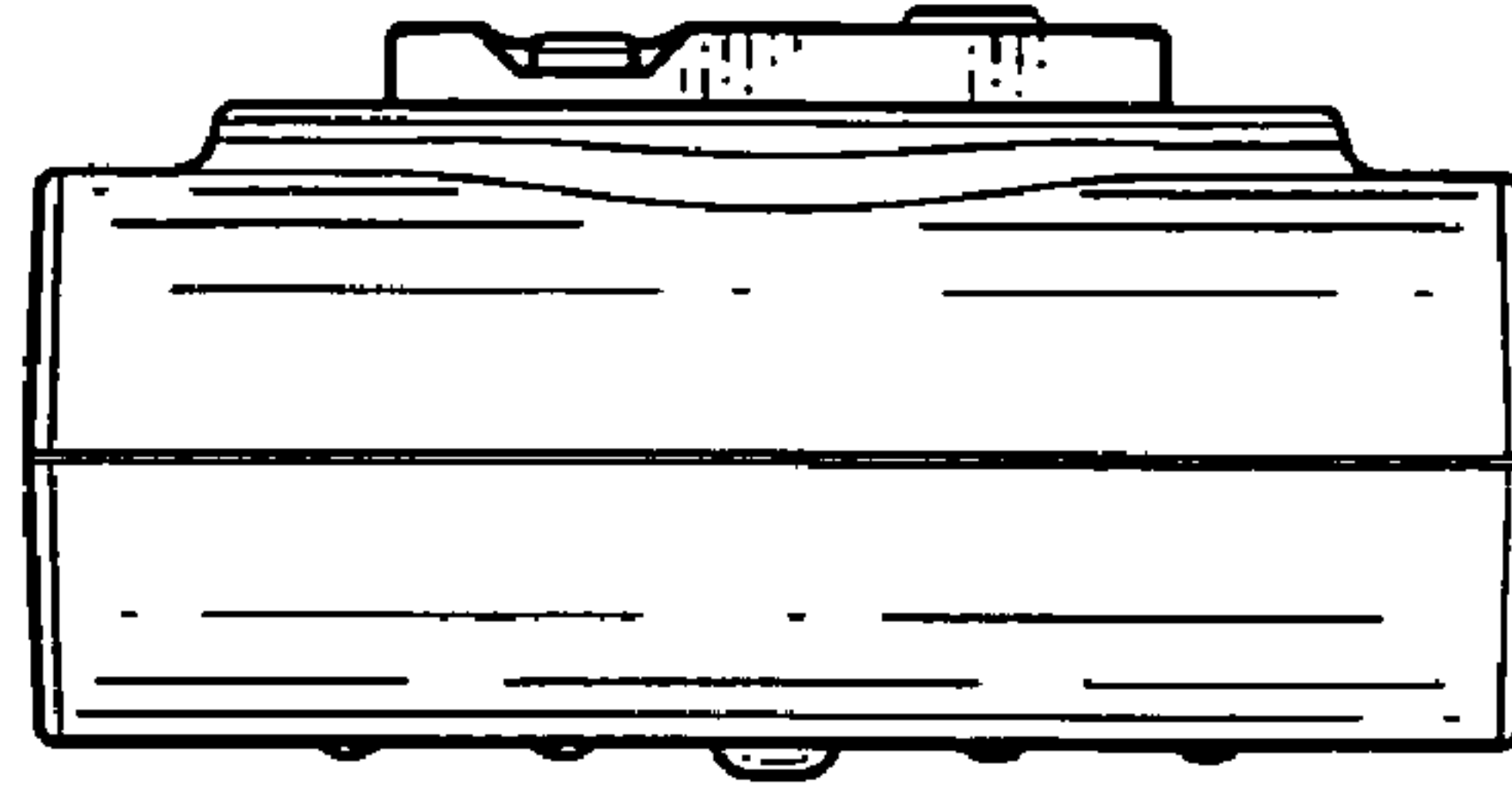


Fig. 4

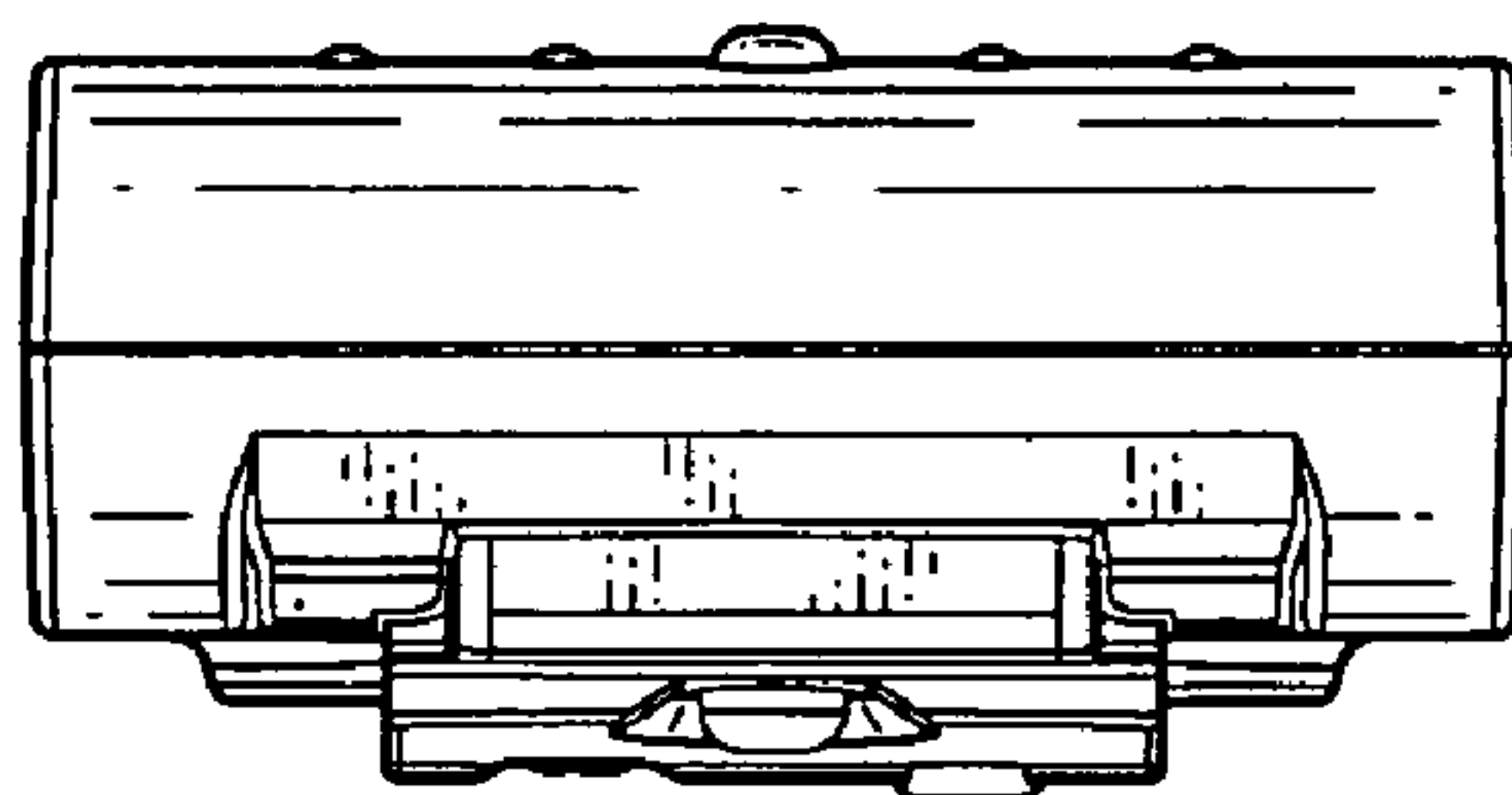


Fig. 5

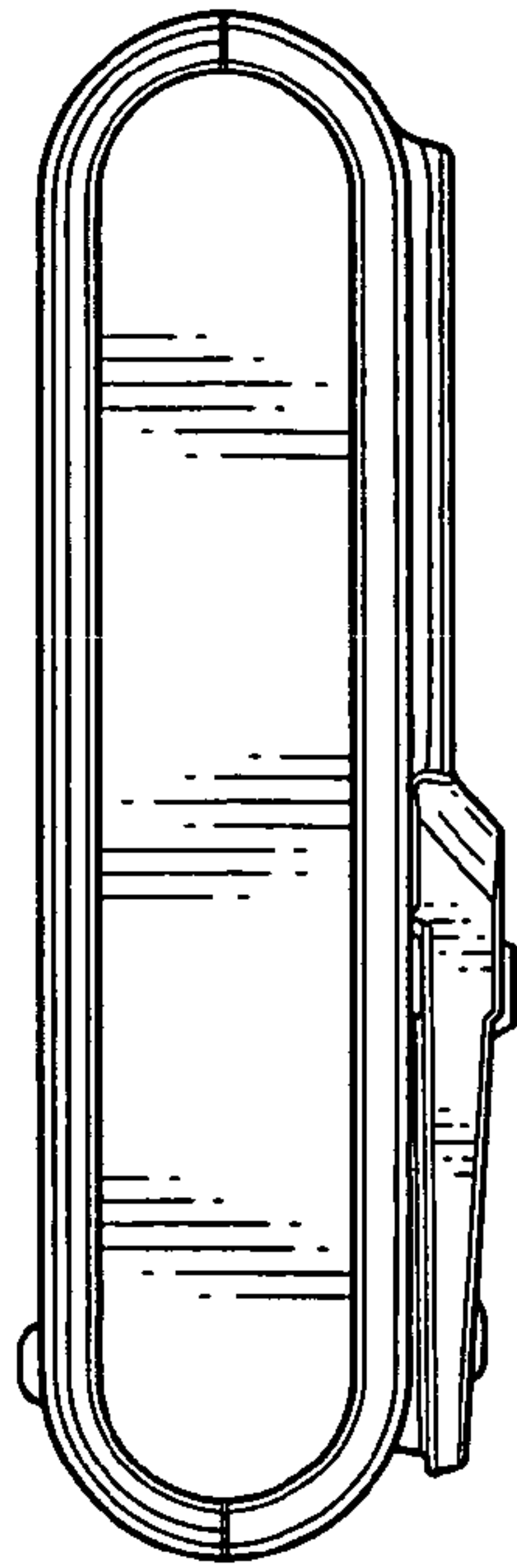


Fig. 6

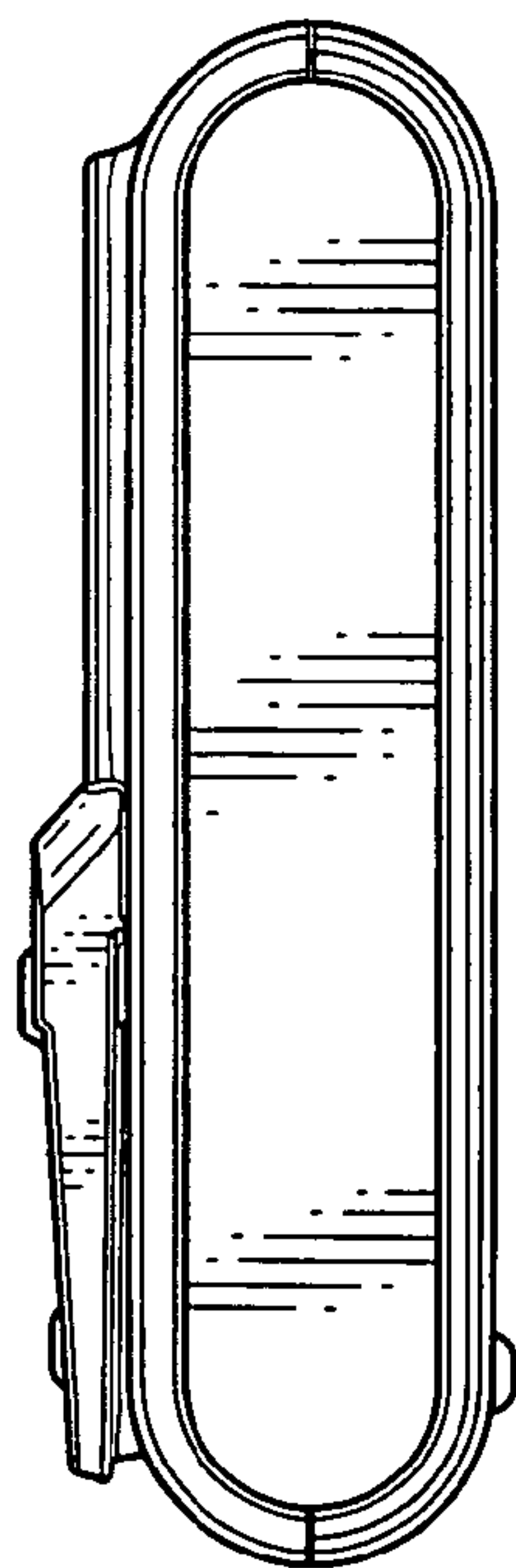


Fig. 7