



US00D611854S

(12) **United States Design Patent**
Wang et al.

(10) **Patent No.:** **US D611,854 S**
(45) **Date of Patent:** **** Mar. 16, 2010**

(54) **ANALYTE SENSOR**

(75) Inventors: **Yi Wang**, Sam Ramon, CA (US); **Joseph A. Vivolo**, San Francisco, CA (US); **Shridhara Alva Karinka**, Pleasanton, CA (US)

(73) Assignee: **Abbott Diabetes Care Inc.**, Alameda, CA (US)

(**) Term: **14 Years**

(21) Appl. No.: **29/344,579**

(22) Filed: **Sep. 30, 2009**

Related U.S. Application Data

(63) Continuation of application No. 11/281,883, filed on Nov. 17, 2005, which is a continuation-in-part of application No. 10/866,477, filed on Jun. 12, 2004, which is a continuation of application No. 10/033,575, filed on Dec. 28, 2001, now Pat. No. 6,749,740, which is a continuation of application No. 09/434,026, filed on Nov. 4, 1999, now Pat. No. 6,616,819.

(51) **LOC (9) Cl.** **10-04**

(52) **U.S. Cl.** **D10/81**

(58) **Field of Classification Search** D10/81;
204/400, 403; 600/300, 301, 365
See application file for complete search history.

(56) **References Cited**

U.S. PATENT DOCUMENTS

5,141,868 A * 8/1992 Shanks et al. 435/287.9

5,437,999 A * 8/1995 Diebold et al. 204/403.11
5,759,364 A * 6/1998 Charlton et al. 204/403.14
5,856,195 A * 1/1999 Charlton et al. 436/50
5,873,990 A * 2/1999 Wojciechowski et al. ... 204/406
6,071,391 A * 6/2000 Gotoh et al. 204/403.05
6,156,173 A * 12/2000 Gotoh et al. 204/403.04
6,207,000 B1 * 3/2001 Schwobel et al. 422/59
6,356,774 B1 * 3/2002 Bernstein et al. 600/323
6,461,496 B1 * 10/2002 Feldman et al. 205/777.5
6,503,381 B1 * 1/2003 Gotoh et al. 204/403.14
6,616,819 B1 * 9/2003 Lianos et al. 204/403.02
D583,691 S * 12/2008 Wang D10/81
D587,142 S * 2/2009 Wang D10/81

* cited by examiner

Primary Examiner—Antoine D Davis

(74) *Attorney, Agent, or Firm*—Edward J. Baba; Bozicevic, Field & Francis LLP

(57) **CLAIM**

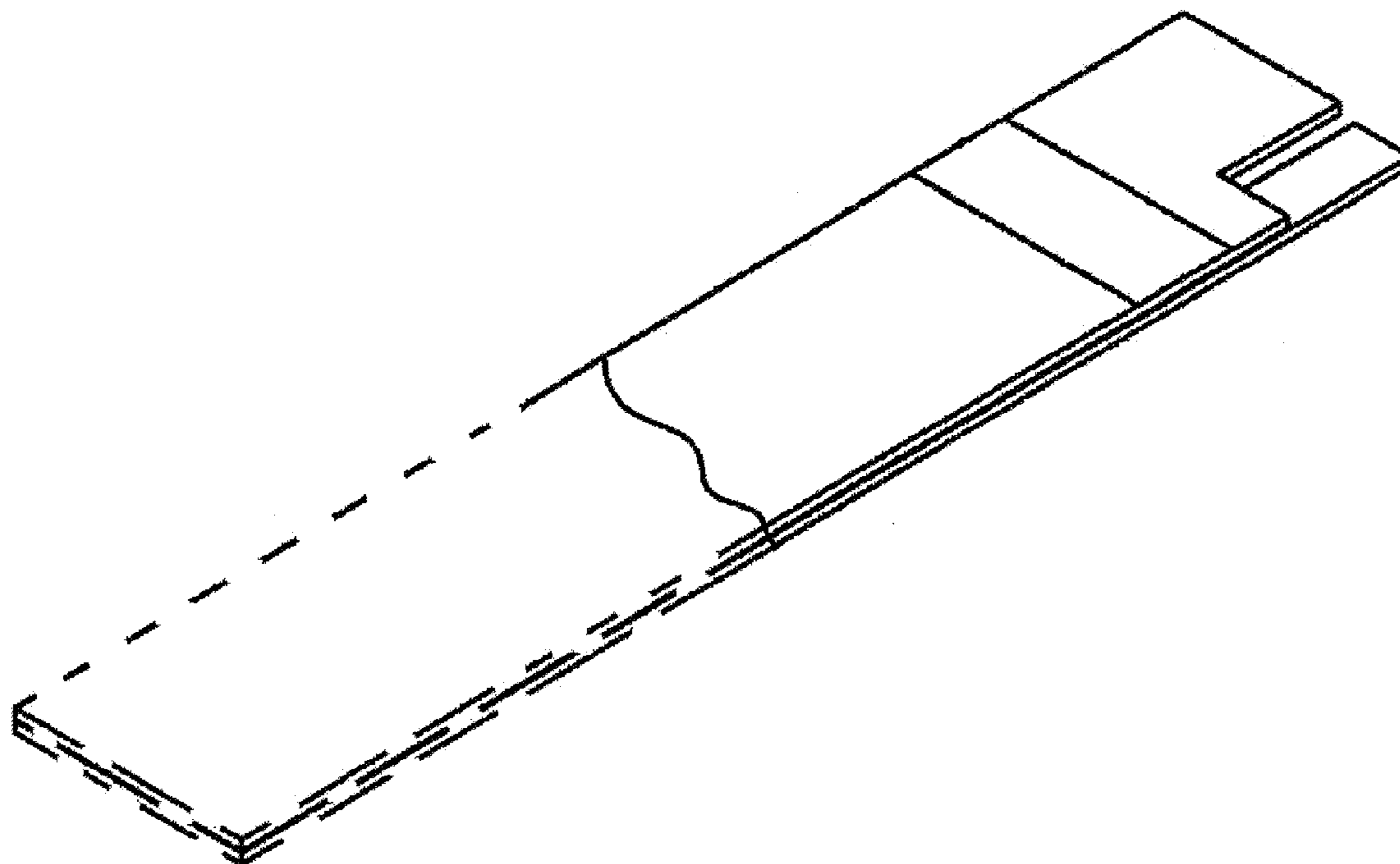
The ornamental design for analyte sensor, as shown and described.

DESCRIPTION

FIG. 1 is a schematic front view of an exemplary analyte sensor, with no claim made to the portion shown in phantom; and,

FIG. 2 is a schematic rear view of the analyte sensor of FIG. 1, with no claim made to the portion shown in phantom.

1 Claim, 2 Drawing Sheets



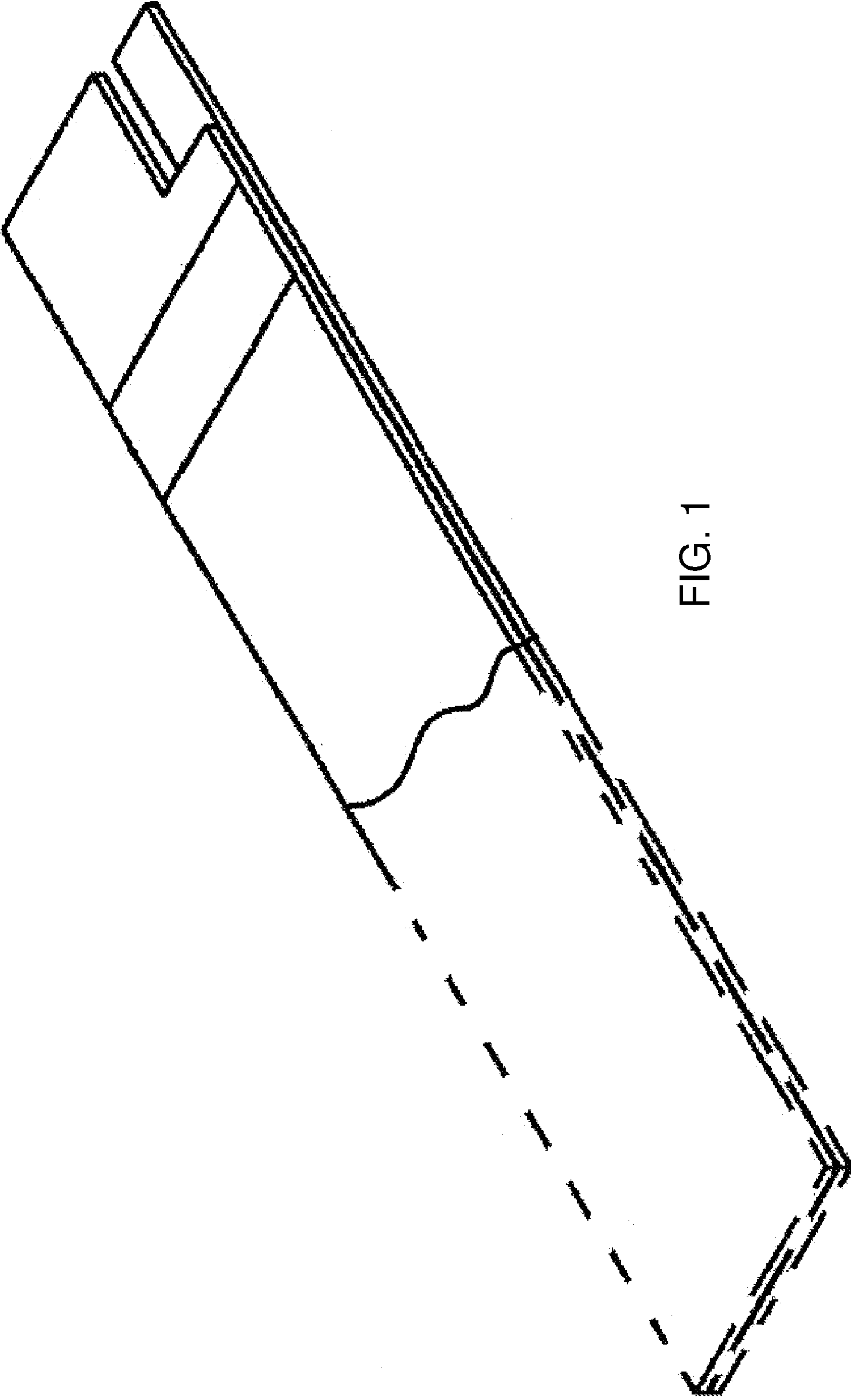


FIG. 1

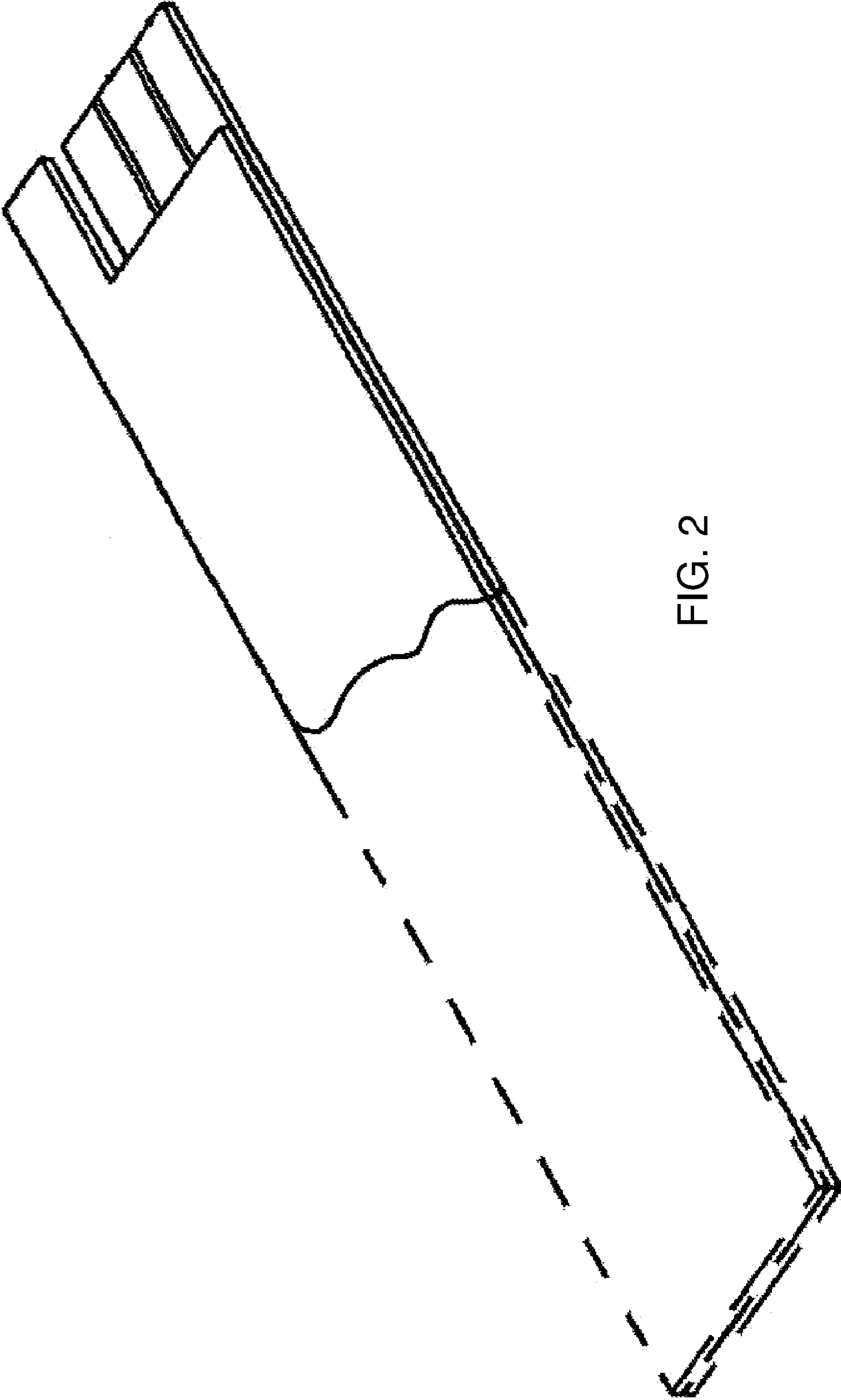


FIG. 2