



US00D611852S

(12) **United States Design Patent**
Arbogast et al.

(10) **Patent No.:** **US D611,852 S**
(45) **Date of Patent:** **** Mar. 16, 2010**

(54) **ANALYTE METER PROTECTOR**

(75) Inventors: **Frederic Arbogast**, San Ramon, CA (US); **Paul Strasma**, Oakland, CA (US); **Lawrence Azzano**, Seattle, WA (US); **Kenneth Gary**, Boxborough, MA (US)

(73) Assignee: **Abbott Diabetes Care Inc.**, Alameda, CA (US)

(**) Term: **14 Years**

(21) Appl. No.: **29/344,573**

(22) Filed: **Sep. 30, 2009**

Related U.S. Application Data

(63) Continuation of application No. 11/960,156, filed on Dec. 19, 2007.

(51) **LOC (9) Cl.** **10-04**

(52) **U.S. Cl.** **D10/80; D10/81; D10/103**

(58) **Field of Classification Search** **D10/80, D10/81, 103; D24/231; 600/309; 604/263**

See application file for complete search history.

(56) **References Cited**

U.S. PATENT DOCUMENTS

D383,990 S * 9/1997 Ropponen et al. D10/103
D542,683 S * 5/2007 Long et al. D10/103

* cited by examiner

Primary Examiner—Antoine D Davis

(74) *Attorney, Agent, or Firm*—Edward J. Baba; Bozicevic, Field & Francis LLP

(57) **CLAIM**

The ornamental design for analyte meter protector, as shown and described.

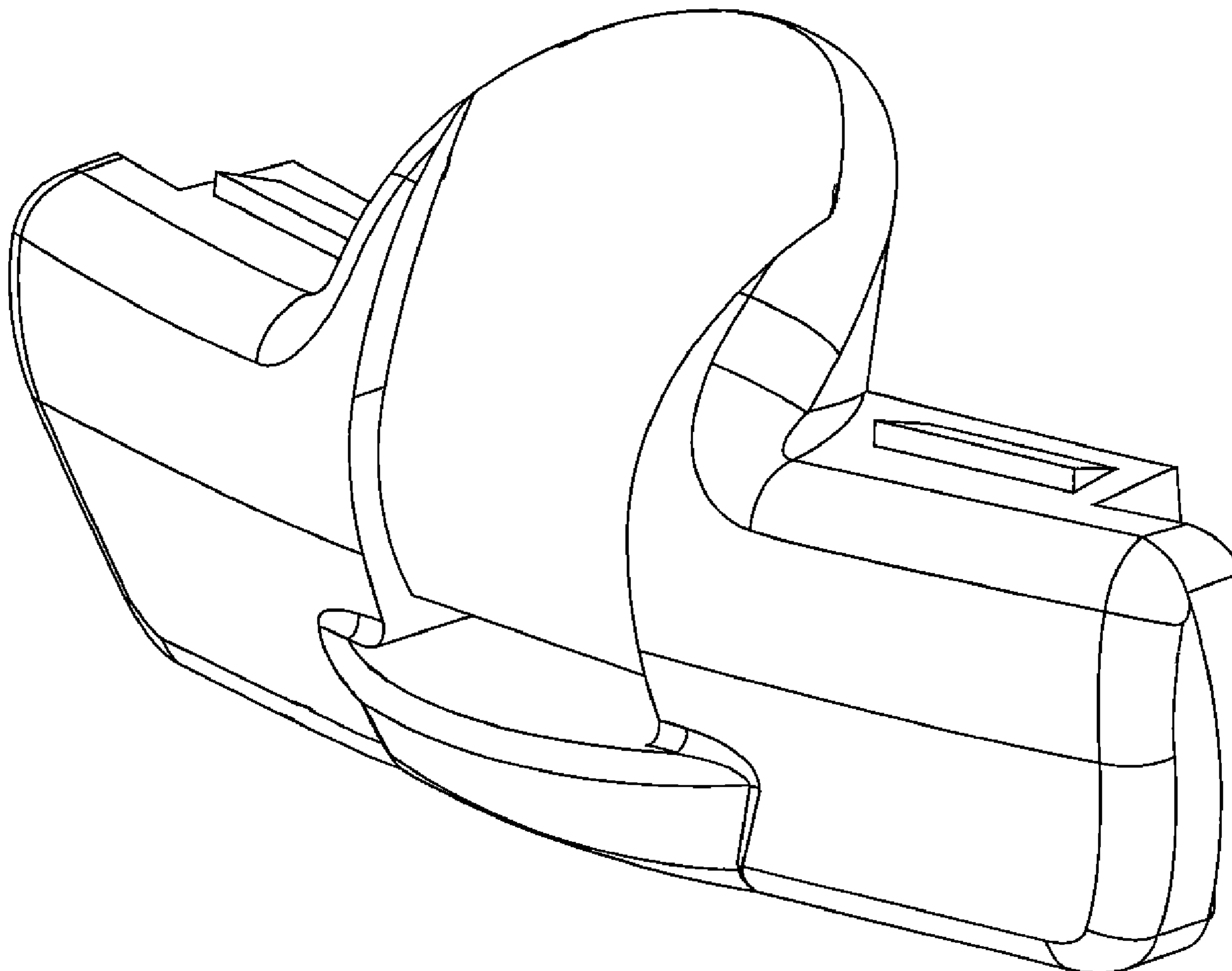
DESCRIPTION

FIG. 1 is a is an isometric front view of an exemplary embodiment of a port protector;

FIG. 2 is rear views of the protector of FIG. 1; and,

FIG. 3 is a rear views of the protector of FIG. 1.

1 Claim, 3 Drawing Sheets



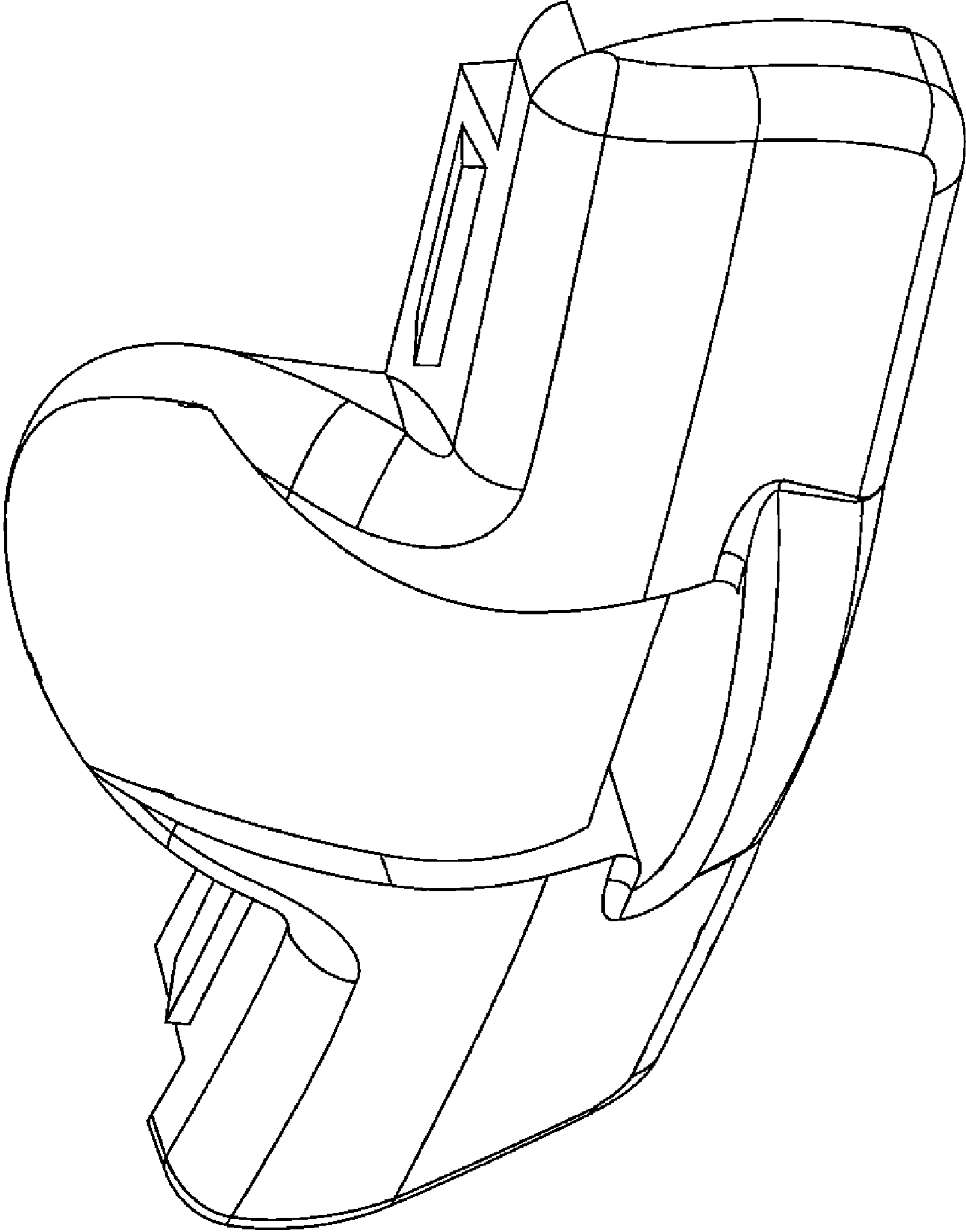


FIG. 1

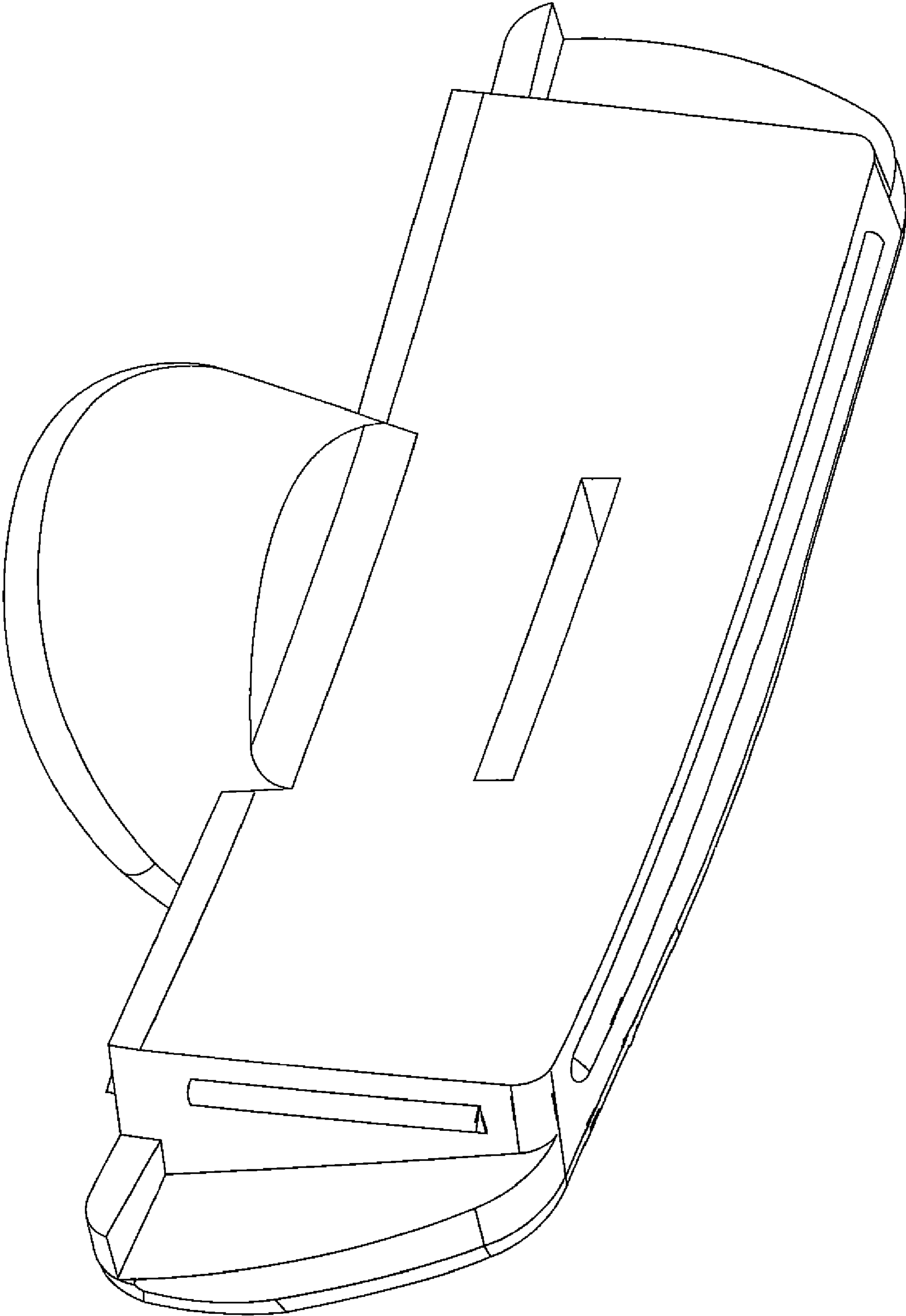


FIG. 2

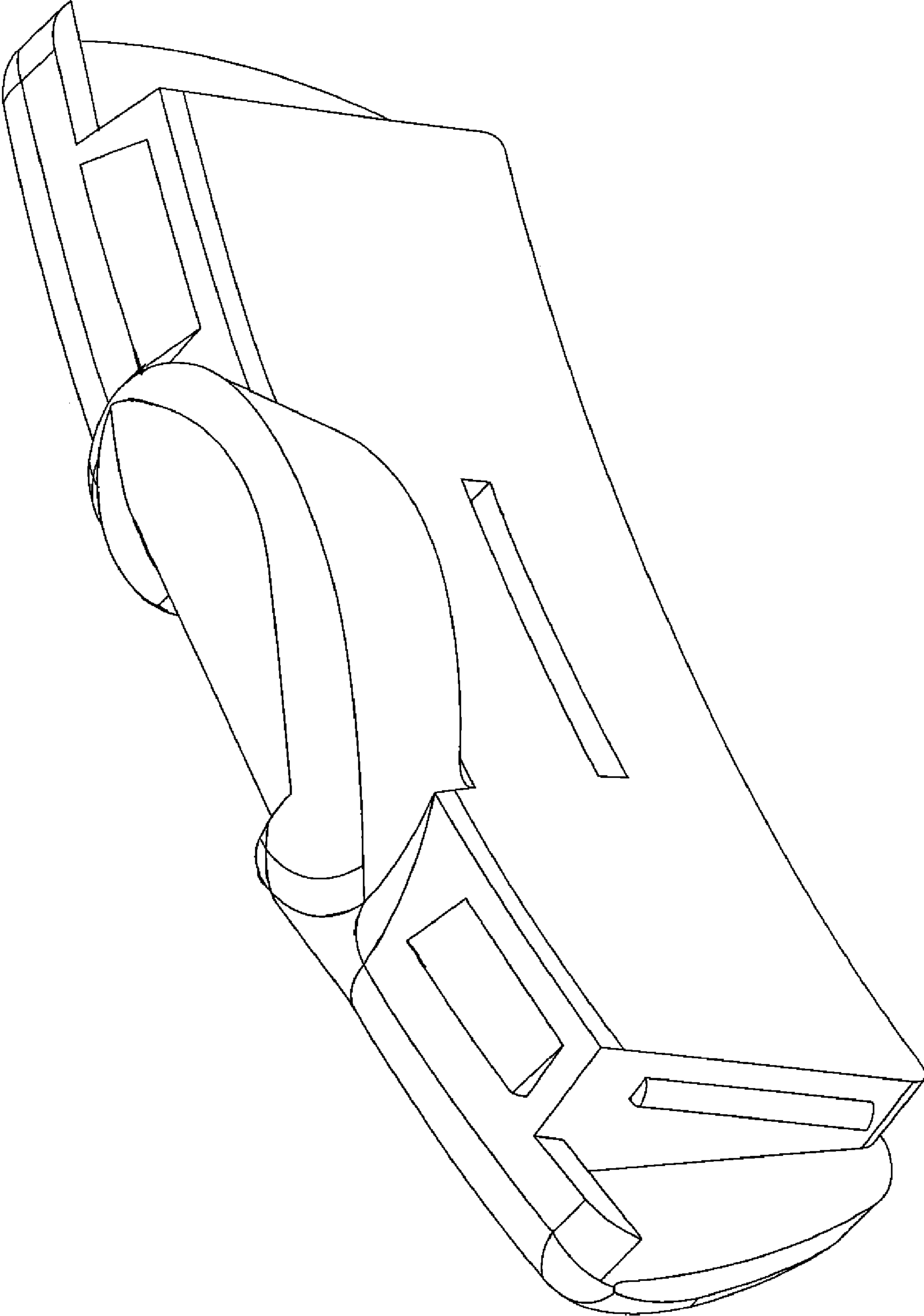


FIG. 3