



US00D611843S

(12) **United States Design Patent**
Jorst et al.

(10) **Patent No.:** **US D611,843 S**

(45) **Date of Patent:** **** *Mar. 16, 2010**

(54) **WATCH**

(75) Inventors: **Charlotte Jorst**, Reno, NV (US);
Henrik Jorst, Reno, NV (US)

(73) Assignee: **Skagen Designs, Ltd.**, Reno, NV (US)

(*) Notice: This patent is subject to a terminal disclaimer.

(**) Term: **14 Years**

(21) Appl. No.: **29/314,294**

(22) Filed: **Mar. 20, 2009**

(51) **LOC (9) Cl.** **10-02**

(52) **U.S. Cl.** **D10/39**

(58) **Field of Classification Search** D10/30-39,
D10/122-132; 368/276, 281, 282, 285, 80,
368/223, 228, 232

See application file for complete search history.

(56) **References Cited**

U.S. PATENT DOCUMENTS

D268,332 S *	3/1983	Weil	D10/32
D278,605 S *	4/1985	Didisheim	D10/39
D278,686 S *	5/1985	Mathez	D10/39
D283,401 S *	4/1986	Lung	D10/30
D312,793 S *	12/1990	Fujiwara	D10/39
D325,535 S *	4/1992	Yamamoto	D10/39
D355,613 S *	2/1995	Takani et al.	D10/39

D356,270 S *	3/1995	Kaneko	D10/32
D362,193 S *	9/1995	Minello	D10/30
D389,070 S *	1/1998	Galli	D10/30
D402,565 S *	12/1998	Sato et al.	D10/32
D413,530 S *	9/1999	Flury et al.	D10/32
D451,820 S *	12/2001	Sugisawa	D10/30
D477,235 S *	7/2003	El Kadiri	D10/30
D479,135 S *	9/2003	Emmenegger	D10/30
D517,433 S *	3/2006	Jorst et al.	D10/39
D551,095 S *	9/2007	Monachon	D10/32
D554,538 S *	11/2007	Galliano	D10/32

* cited by examiner

Primary Examiner—Lucy Lieberman

(57) **CLAIM**

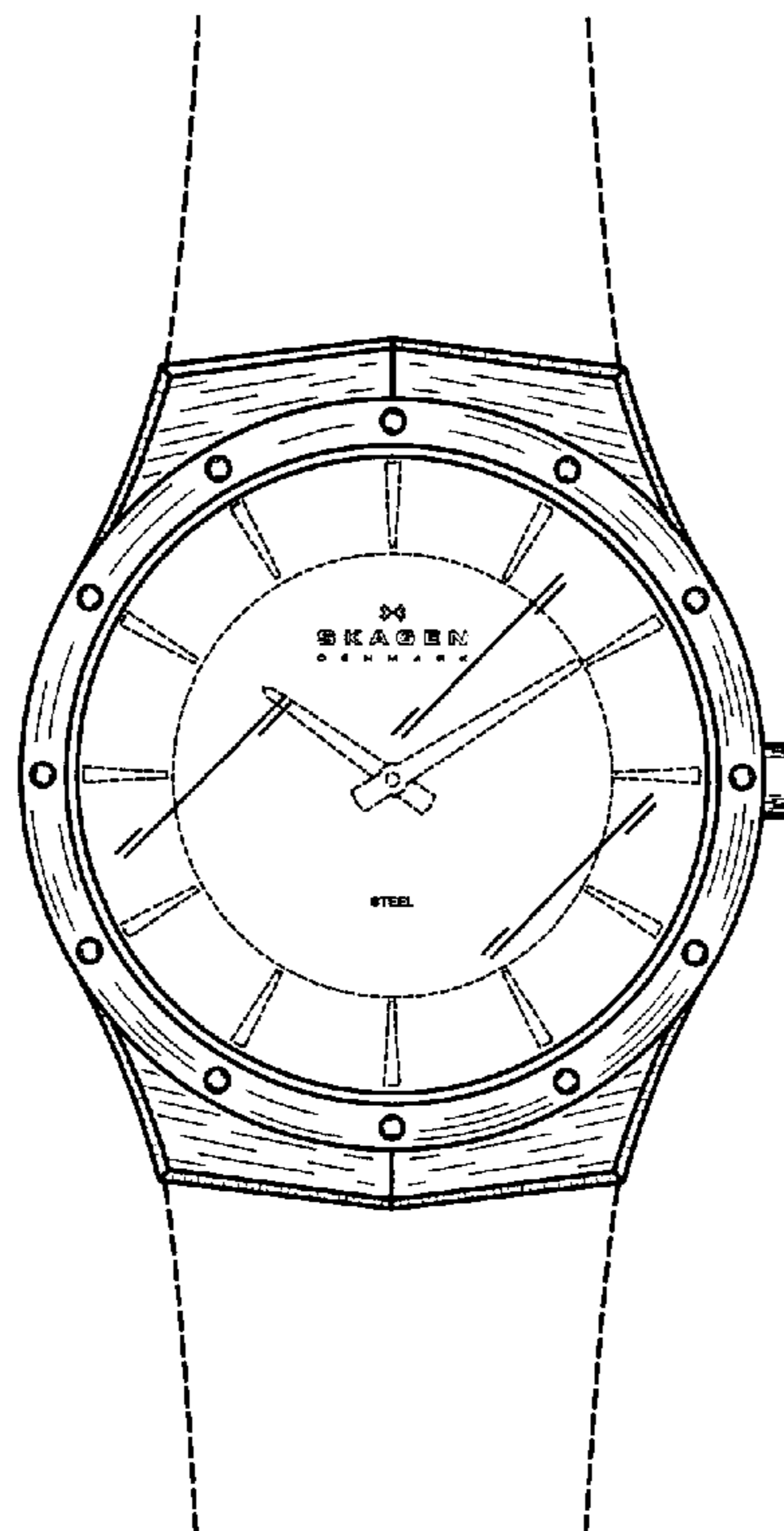
The ornamental design for a watch, as shown and described.

DESCRIPTION

FIG. 1 is a front elevation of a watch showing our new design;
FIG. 2 is a side view of the right side of the watch
FIG. 3 is a side view of the left side of the watch
FIG. 4 is a rear elevation thereof;
FIG. 5 is a perspective view of the watch; and,
FIG. 6 is an end view of the watch.

The broken lines in the drawings are used to illustrate portions of the watch that do not form part of the claimed design.

1 Claim, 2 Drawing Sheets



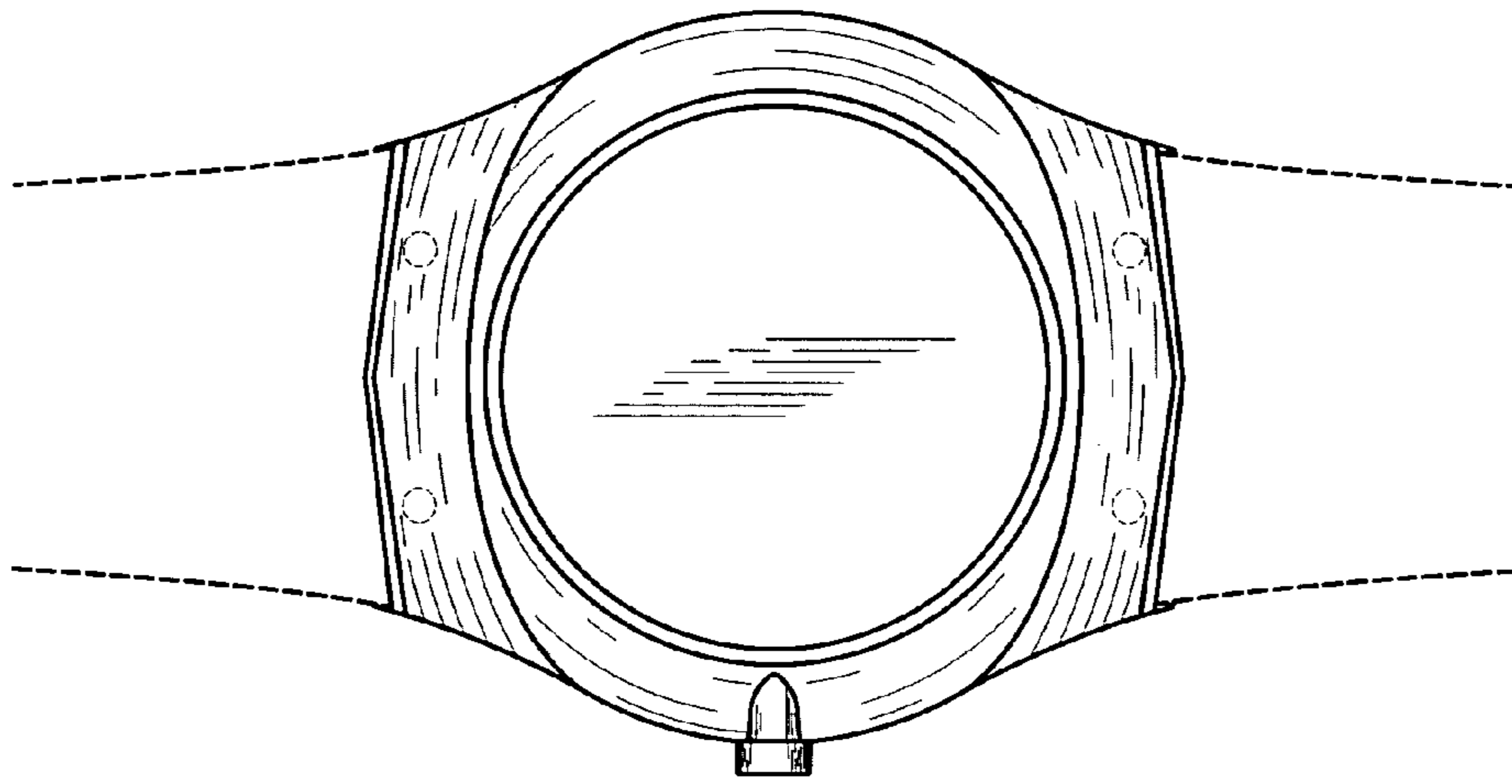


FIG 4

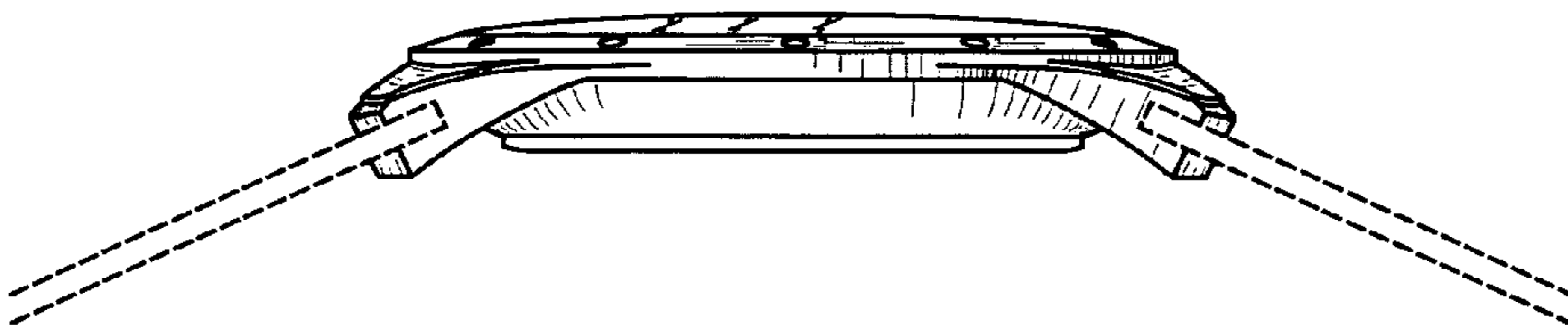


FIG 3

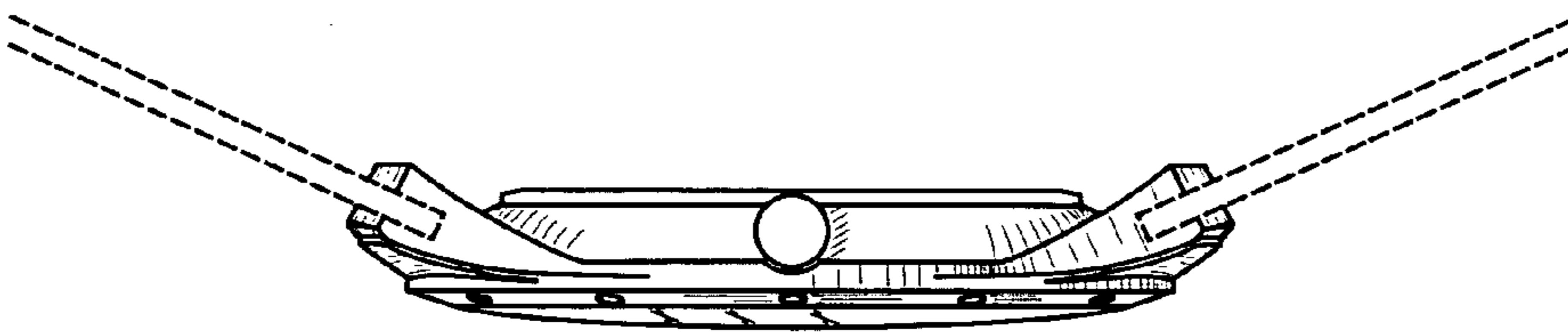


FIG 2

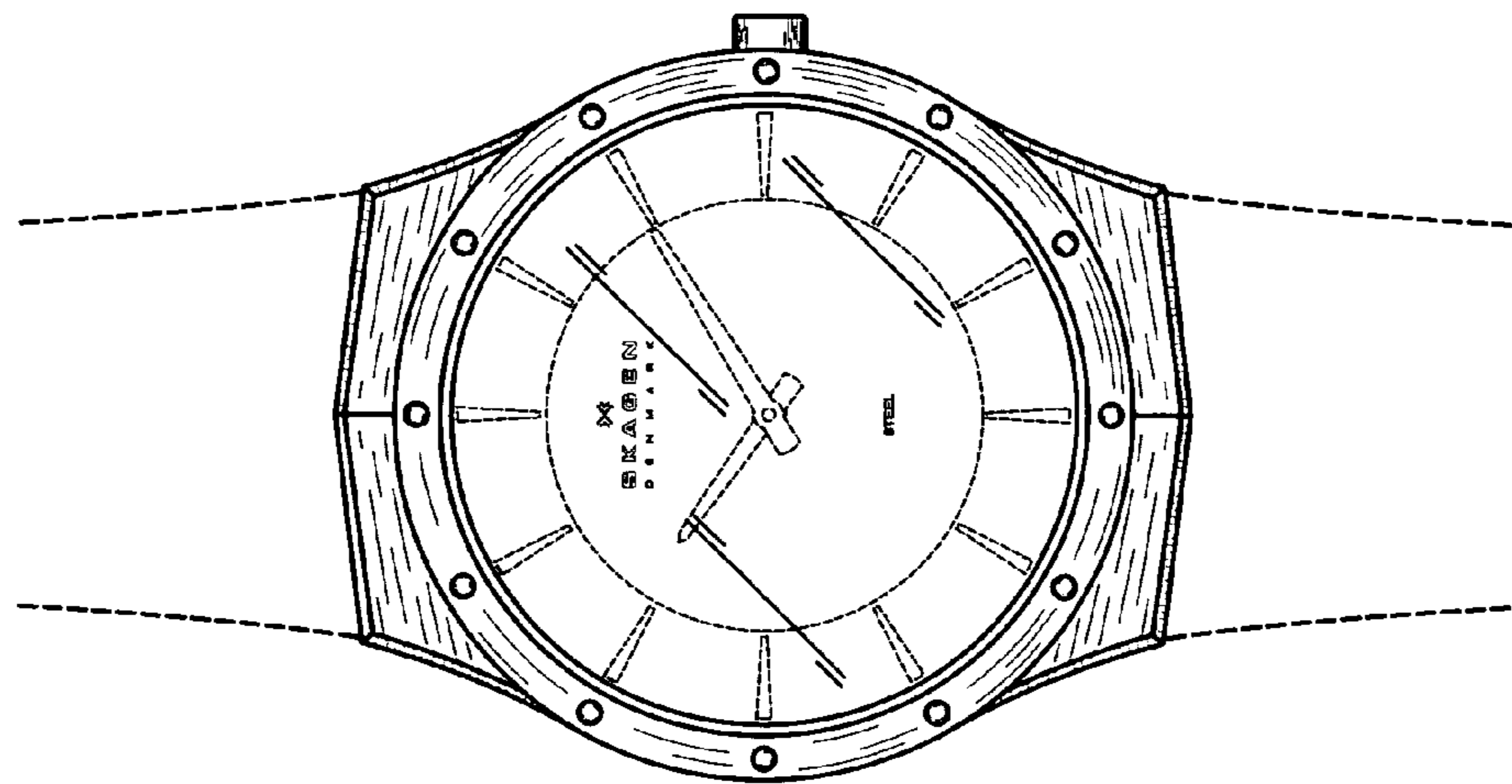


FIG 1

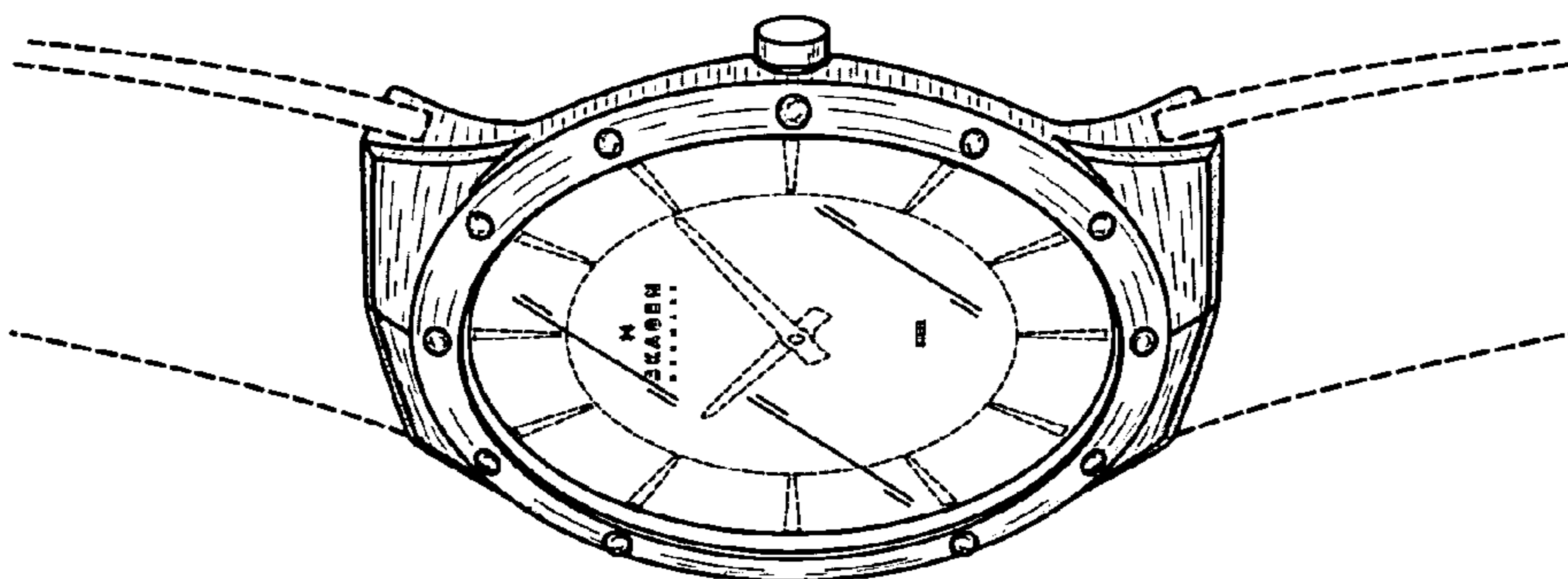


FIG 5

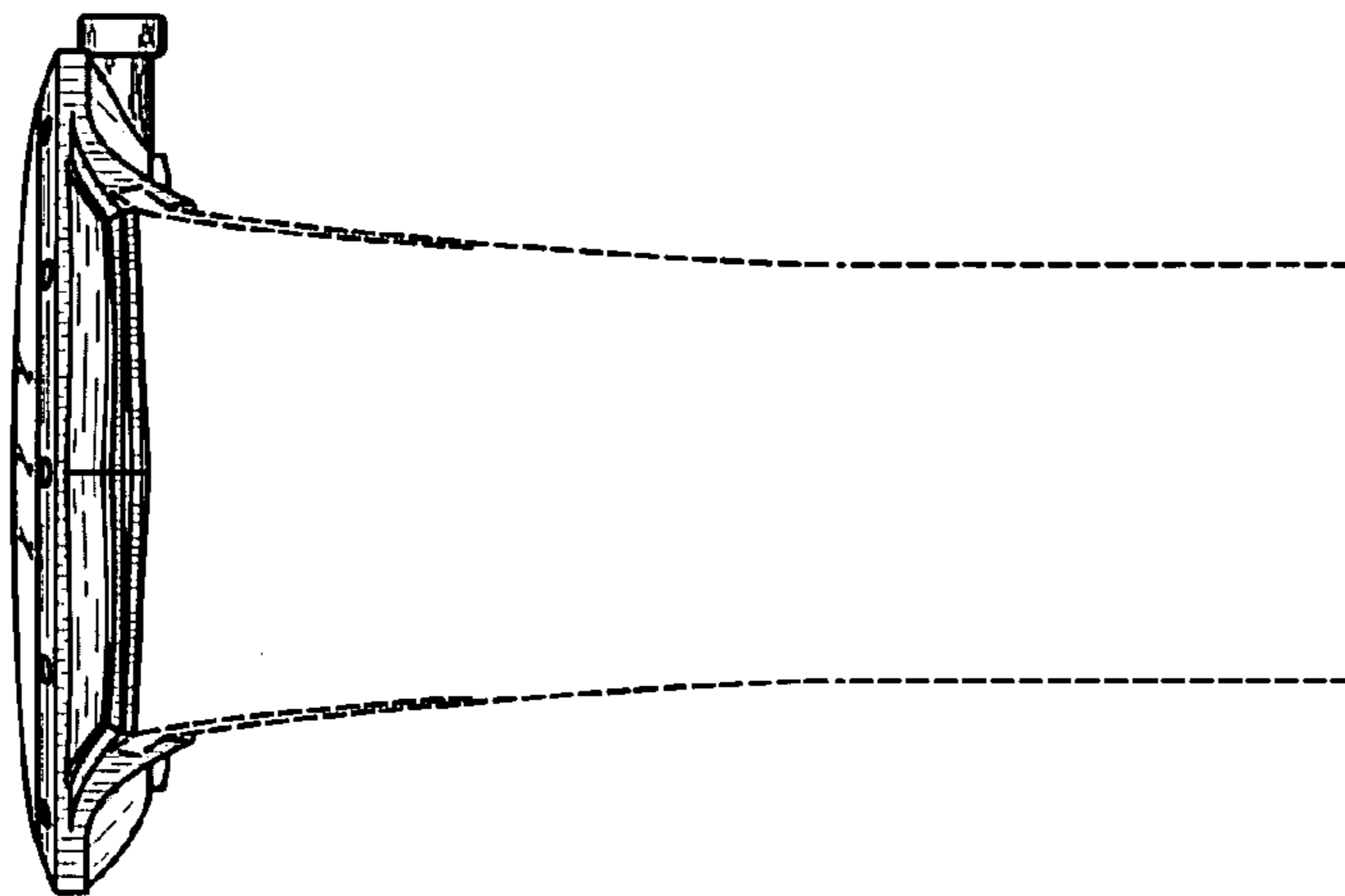


FIG 6