



US00D611842S

(12) **United States Design Patent**
Parmigiani

(10) **Patent No.:** **US D611,842 S**
(45) **Date of Patent:** **** Mar. 16, 2010**

(54) **WATCH CASE**

(75) Inventor: **Michel Parmigiani, Fleurier (CH)**

(73) Assignee: **Parmigiani Fleurier SA (CH)**

(**) Term: **14 Years**

(21) Appl. No.: **29/343,001**

(22) Filed: **Sep. 4, 2009**

(51) **LOC (9) Cl.** **10-02**

(52) **U.S. Cl.** **D10/38**

(58) **Field of Classification Search** D10/30-39;
368/276, 281, 282, 308, 319

See application file for complete search history.

(56) **References Cited**

U.S. PATENT DOCUMENTS

3,475,902	A	*	11/1969	Wessel	368/10
3,503,203	A	*	3/1970	Gruner et al.	368/21
4,653,933	A	*	3/1987	Reichel	368/282
D333,989	S	*	3/1993	Sugibayashi et al.	D10/39
D339,751	S	*	9/1993	Besson	D10/39
D342,906	S	*	1/1994	Dumas	D10/39
D373,957	S	*	9/1996	Mareschal	D10/30
D447,063	S	*	8/2001	Scheufele	D10/30
D459,241	S	*	6/2002	Bodino	D10/32
D460,002	S	*	7/2002	Wunderman	D10/32
D467,820	S	*	12/2002	Berliat	D10/39
D473,473	S	*	4/2003	Wunderman	D10/32
D508,416	S	*	8/2005	Tang	D10/30

D518,387	S	*	4/2006	Roden	D10/31
D520,384	S	*	5/2006	Scheufele	D10/39
D551,100	S	*	9/2007	Okaya	D10/38
D555,520	S	*	11/2007	Strasser	D10/39
D584,171	S	*	1/2009	Monachon	D10/32
7,591,582	B2	*	9/2009	Hiranuma et al.	368/308
D602,381	S	*	10/2009	Bodino et al.	D10/38

* cited by examiner

Primary Examiner—Lucy Lieberman

(74) *Attorney, Agent, or Firm*—Galbreath Law Offices, P.C.;
John A. Galbreath

(57) **CLAIM**

The ornamental design for a watch case, as shown and described.

DESCRIPTION

FIG. 1 is a perspective view of the invention;

FIG. 2 is another perspective view of the invention;

FIG. 3 is a side view of the invention;

FIG. 4 is a back view of the invention;

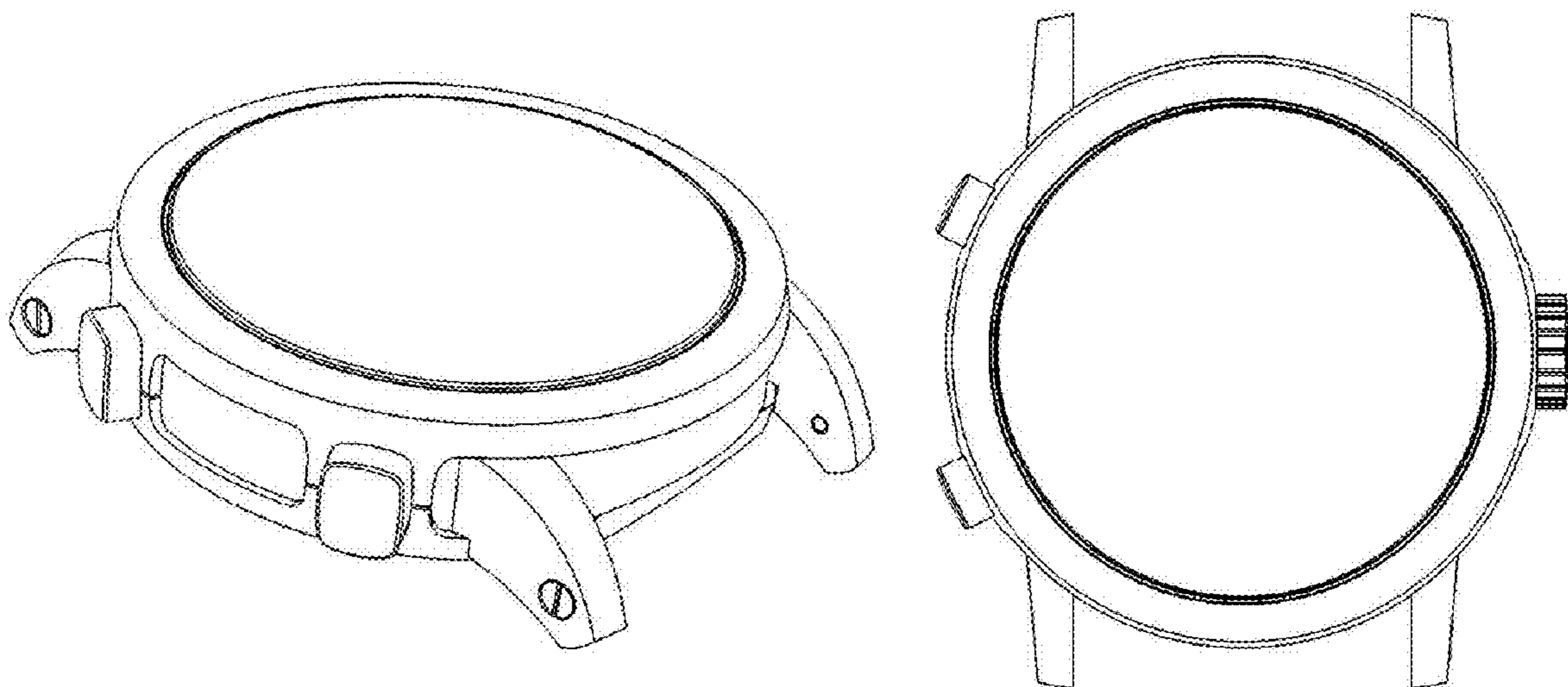
FIG. 5 is another side view of the invention, showing the side opposite that shown in FIG. 3;

FIG. 6 is a front view of the invention;

FIG. 7 is a top view of the invention; and,

FIG. 8 is a bottom view of the invention.

1 Claim, 1 Drawing Sheet



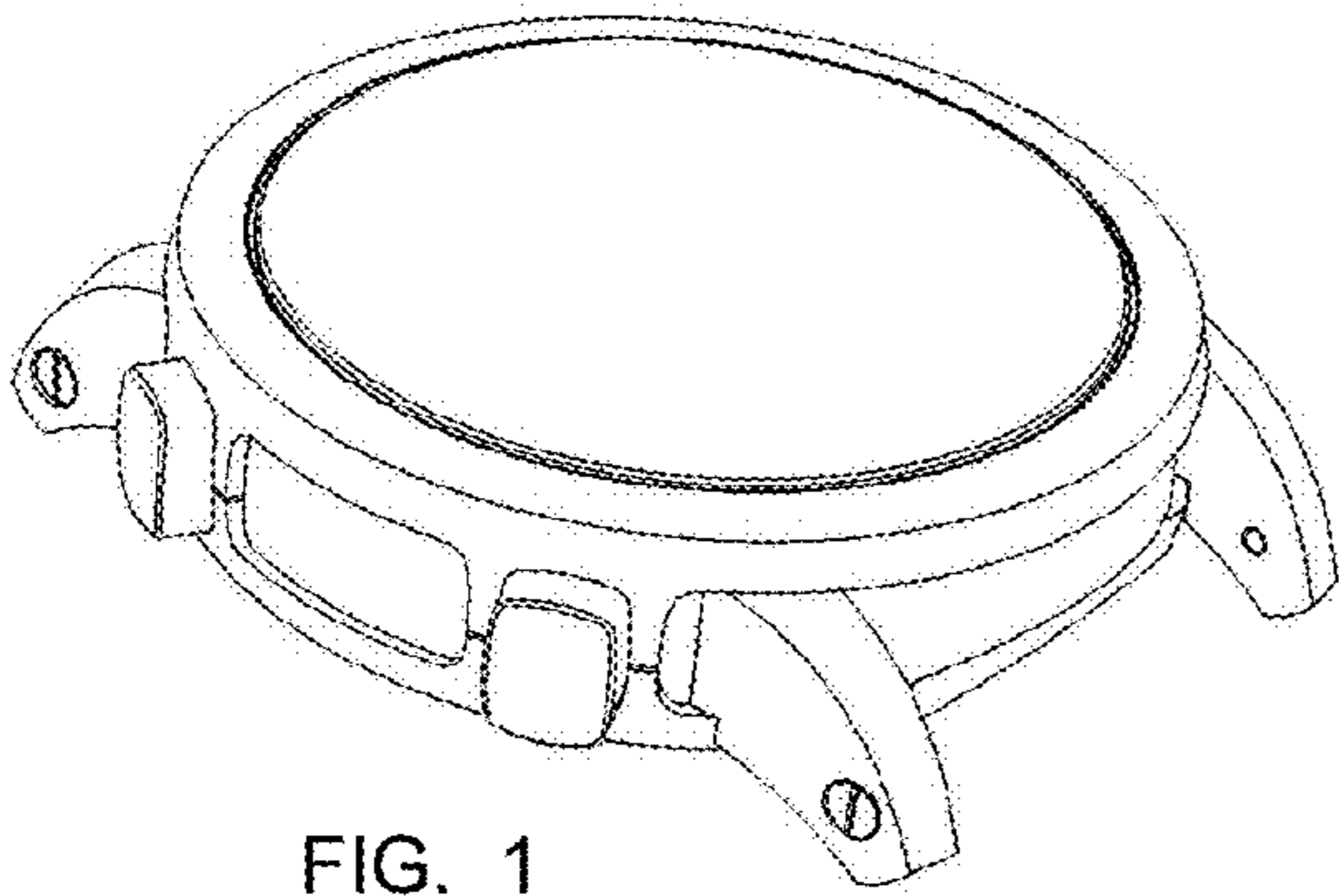


FIG. 1

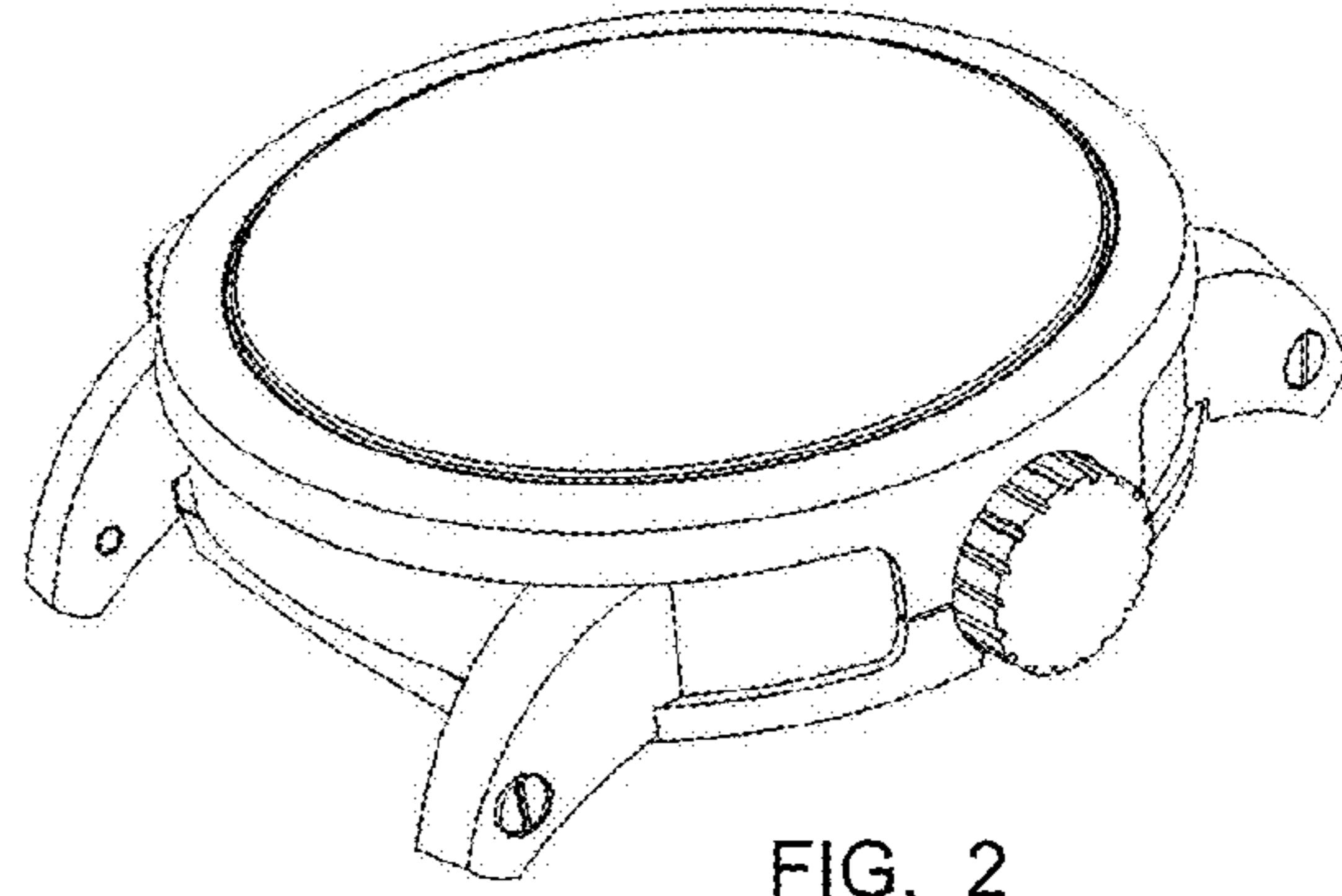


FIG. 2

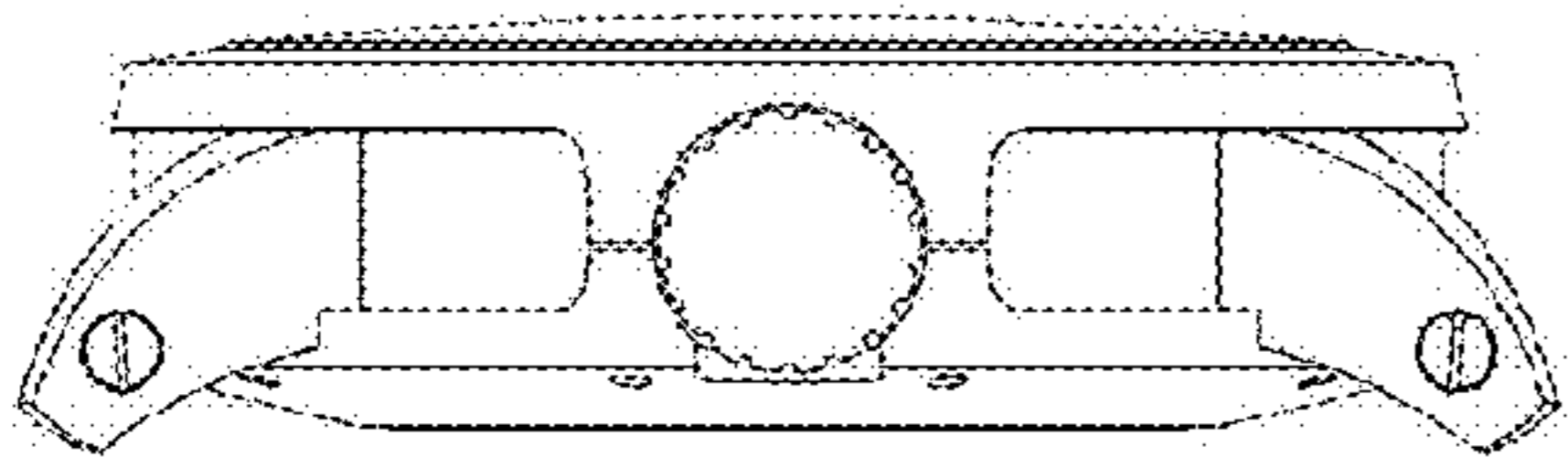


FIG. 3

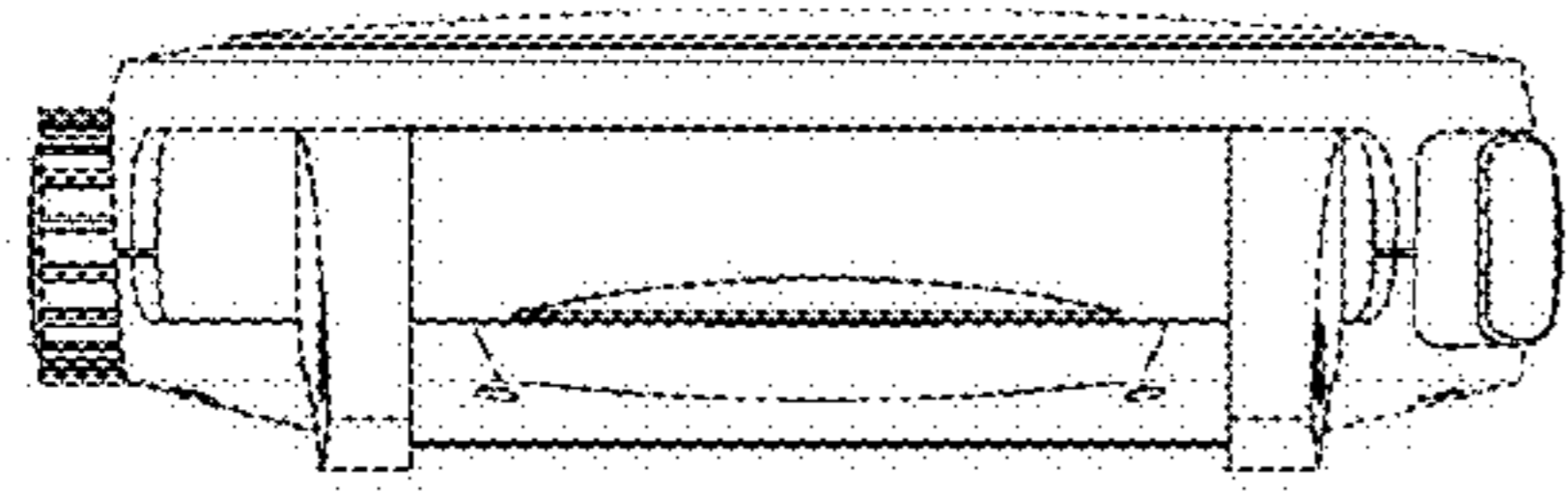


FIG. 4

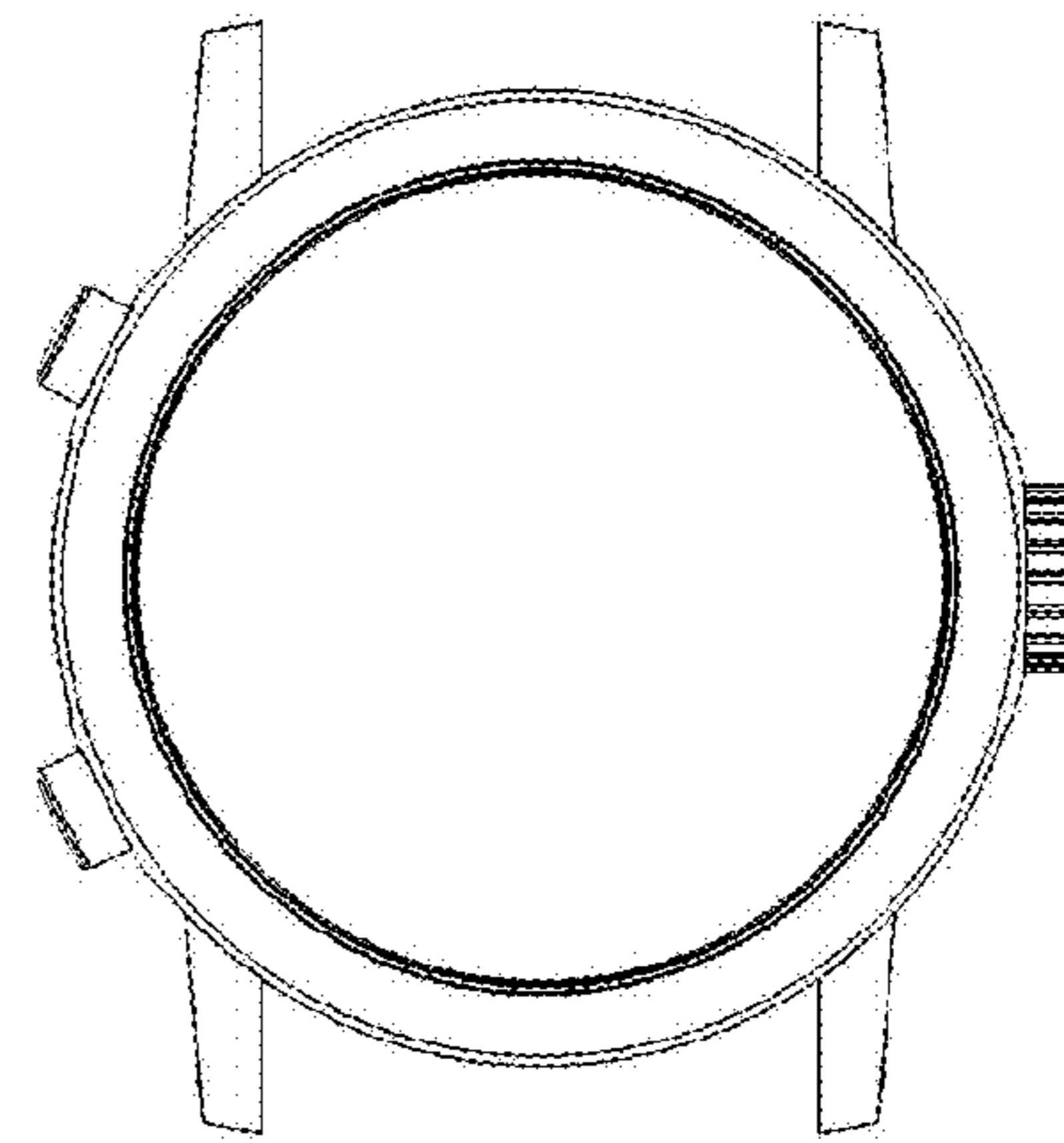


FIG. 7

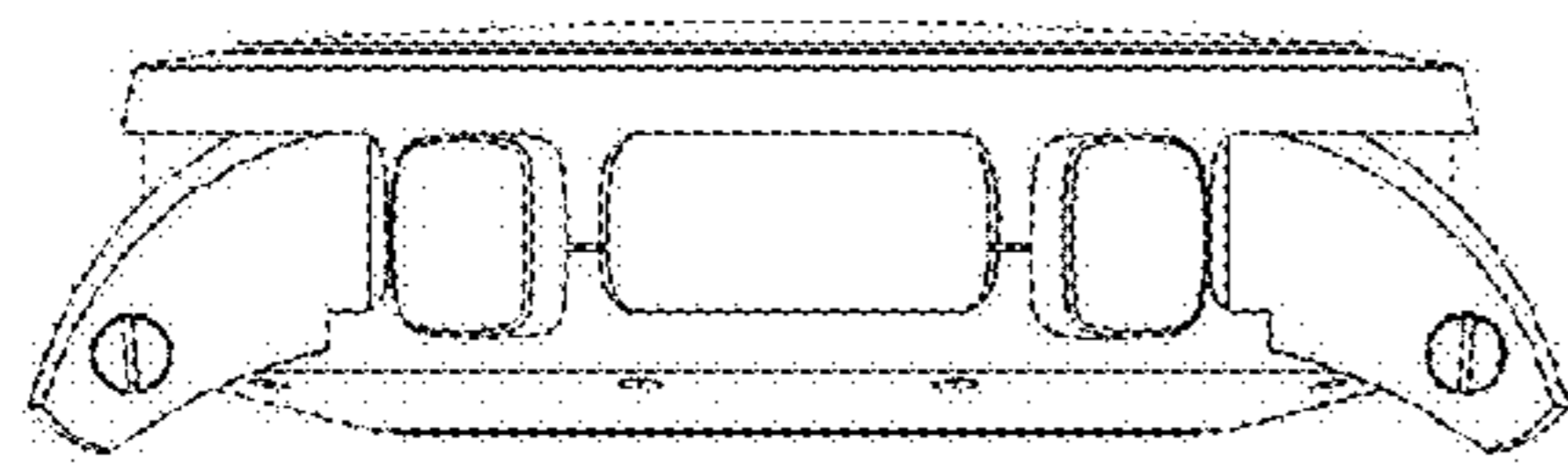


FIG. 5

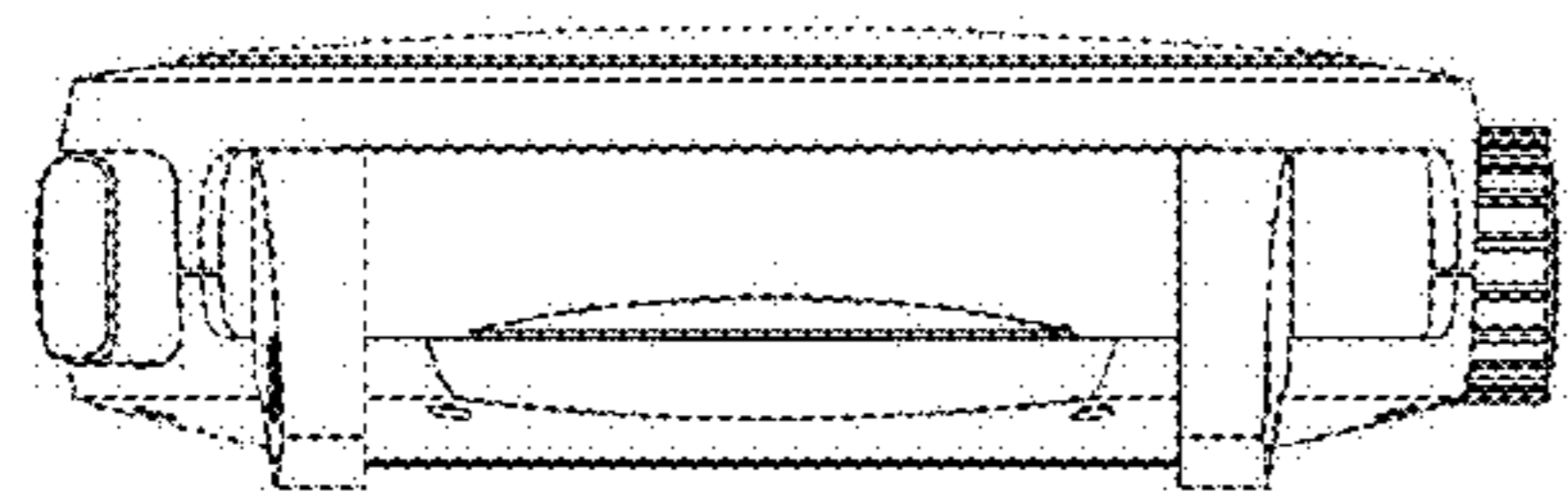


FIG. 6

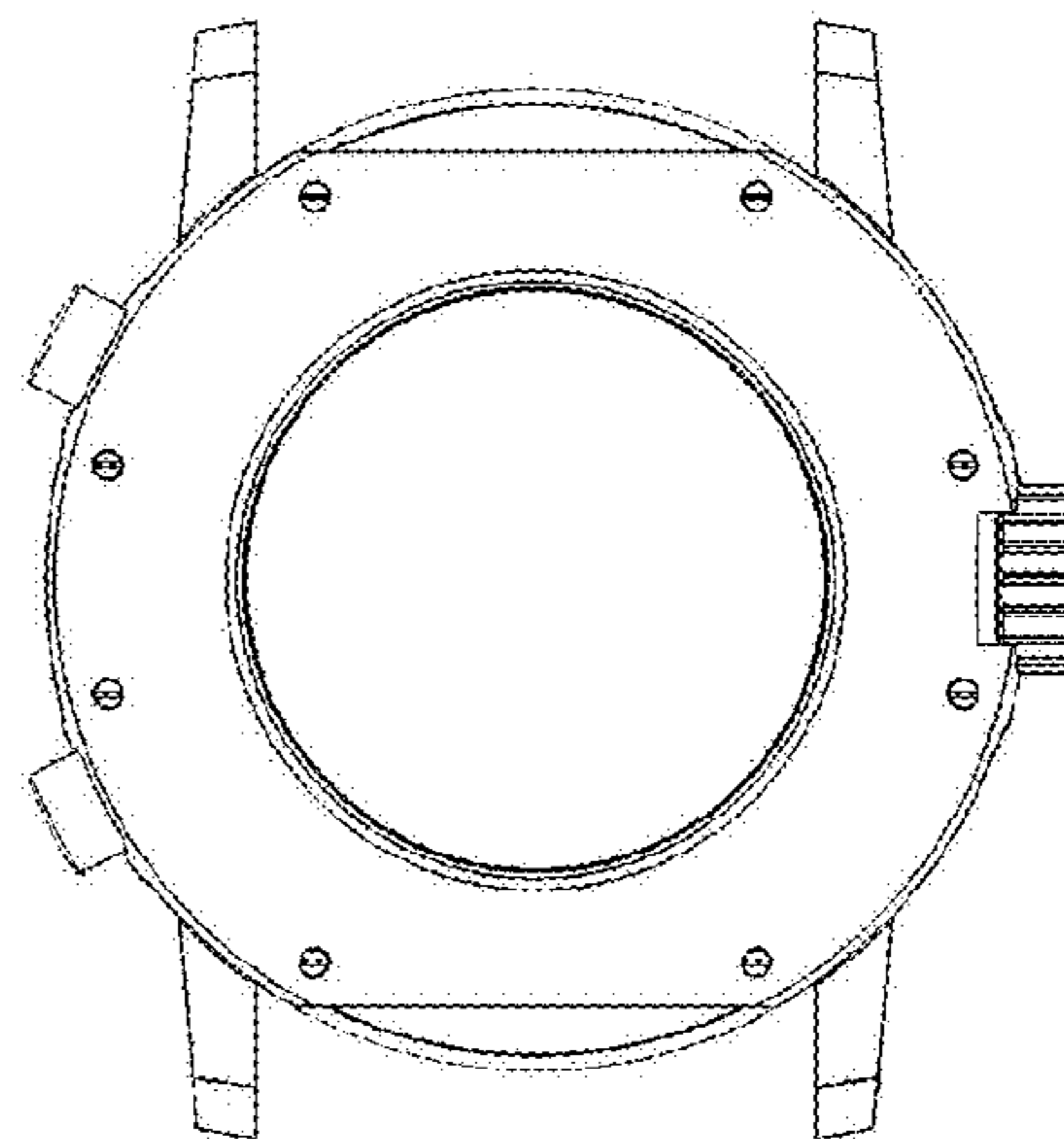


FIG. 8