



US00D611839S

(12) **United States Design Patent**  
**Tompkin**

(10) **Patent No.:** **US D611,839 S**  
(45) **Date of Patent:** **\*\* Mar. 16, 2010**

(54) **ALARM CLOCK**

FOREIGN PATENT DOCUMENTS

(75) Inventor: **Crispian Tompkin**, Los Angeles, CA  
(US)

EP 858013 A2 \* 8/1998

(73) Assignee: **MerchSource, LLC**, Foothill Ranch, CA  
(US)

*Primary Examiner*—Lucy Lieberman  
(74) *Attorney, Agent, or Firm*—The Eclipse Group LLP

(\*\*) Term: **14 Years**

(57) **CLAIM**

(21) Appl. No.: **29/342,002**

I claim the ornamental design for an alarm clock, as shown and described.

(22) Filed: **Aug. 17, 2009**

**DESCRIPTION**

(51) **LOC (9) Cl.** ..... **10-01**

FIG. 1 is a front perspective view of an alarm clock.

(52) **U.S. Cl.** ..... **D10/1**

FIG. 2 is a rear perspective view of the alarm clock illustrated in FIG. 1.

(58) **Field of Classification Search** ..... D10/1–29;  
368/276, 316, 317, 29–30, 82–84, 239–242,  
368/79, 250

FIG. 3 is a front elevational view of the alarm clock illustrated in FIG. 1.

See application file for complete search history.

FIG. 4 is a rear elevational view of the alarm clock illustrated in FIG. 1.

(56) **References Cited**

U.S. PATENT DOCUMENTS

2,486,425	A *	11/1949	Loewe et al.	.....	353/40
2,652,745	A *	9/1953	Quinn	.....	368/79
2,694,338	A *	11/1954	Moultry et al.	.....	368/69
D265,488	S *	7/1982	Appel et al.	.....	D21/447
D309,266	S *	7/1990	Kaneko	.....	D10/6
D332,168	S *	12/1992	Yu	.....	D99/36
5,247,492	A *	9/1993	Pan	.....	368/79
D345,308	S *	3/1994	Kanai	.....	D10/26
D350,984	S *	9/1994	Huang	.....	D19/42
D355,607	S *	2/1995	Pan	.....	D10/1
D391,187	S *	2/1998	Tsui	.....	D10/12
D431,846	S *	10/2000	Le Porcher	.....	D21/452
D466,822	S *	12/2002	Li	.....	D10/15
D467,185	S *	12/2002	Chen	.....	D10/15
D502,112	S *	2/2005	Hsu	.....	D10/15
D531,057	S *	10/2006	Bhavnani	.....	D10/1

FIG. 5 is an elevational view of the right side of the alarm clock illustrated in FIG. 1.

FIG. 6 is an elevational view of the left side of the alarm clock illustrated in FIG. 1.

FIG. 7 is a top plan view of the alarm clock illustrated in FIG. 1.

FIG. 8 is a bottom plan view of the alarm clock illustrated in FIG. 1.

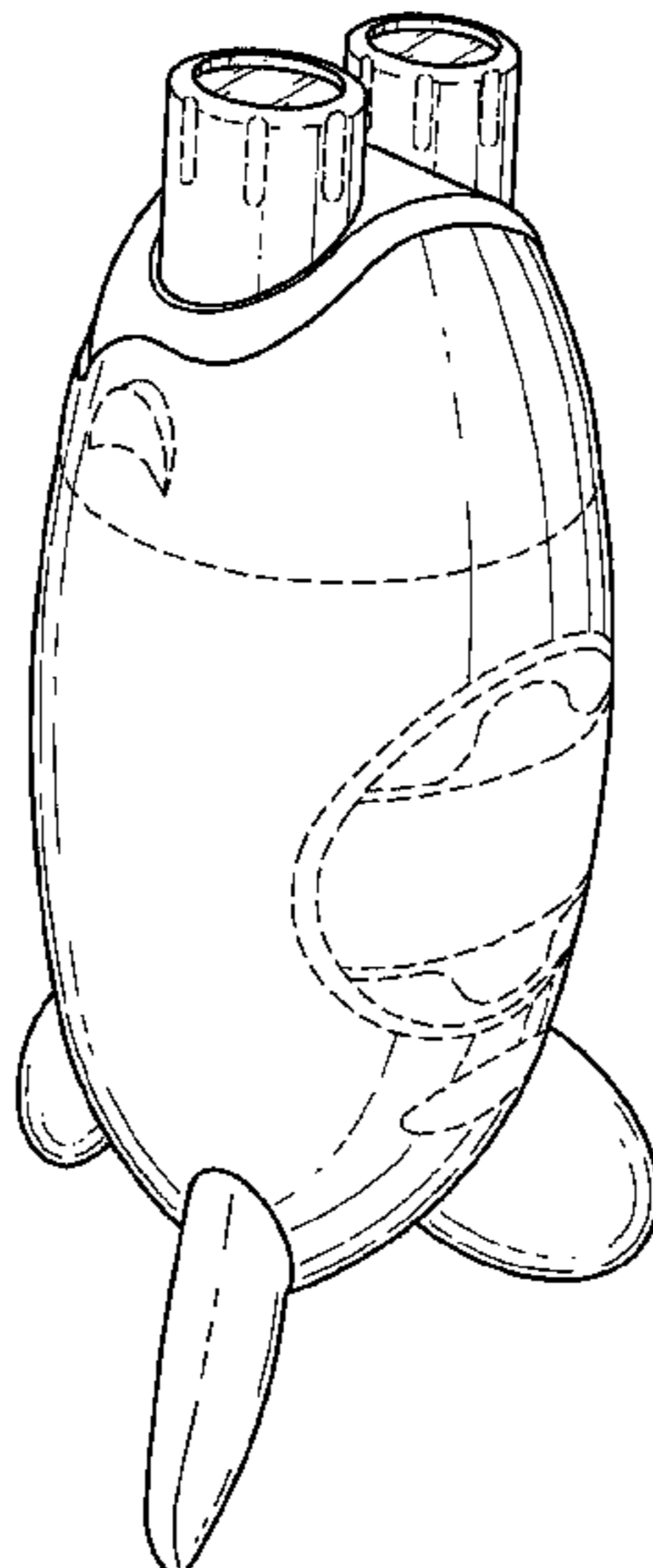
FIG. 9 is a top front perspective view of an alarm clock with the projection device in a forward rotated position; and,

FIG. 10 is an elevational view of the left side of the alarm clock illustrated in FIG. 1 with the projection device in a forward rotated position.

The portions of the alarm clock in broken lines are shown for illustrative purposes only and form no part of the claimed design.

(Continued)

**1 Claim, 5 Drawing Sheets**



# US D611,839 S

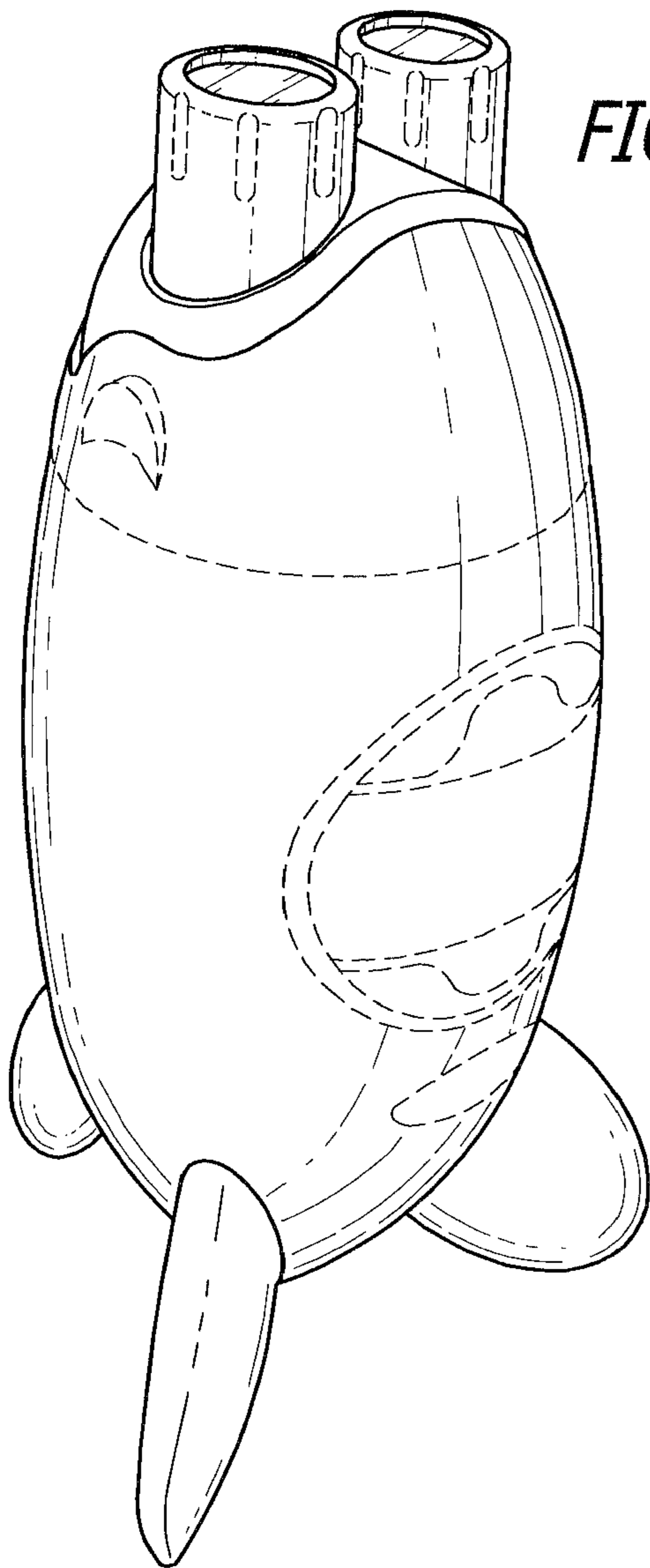
Page 2

---

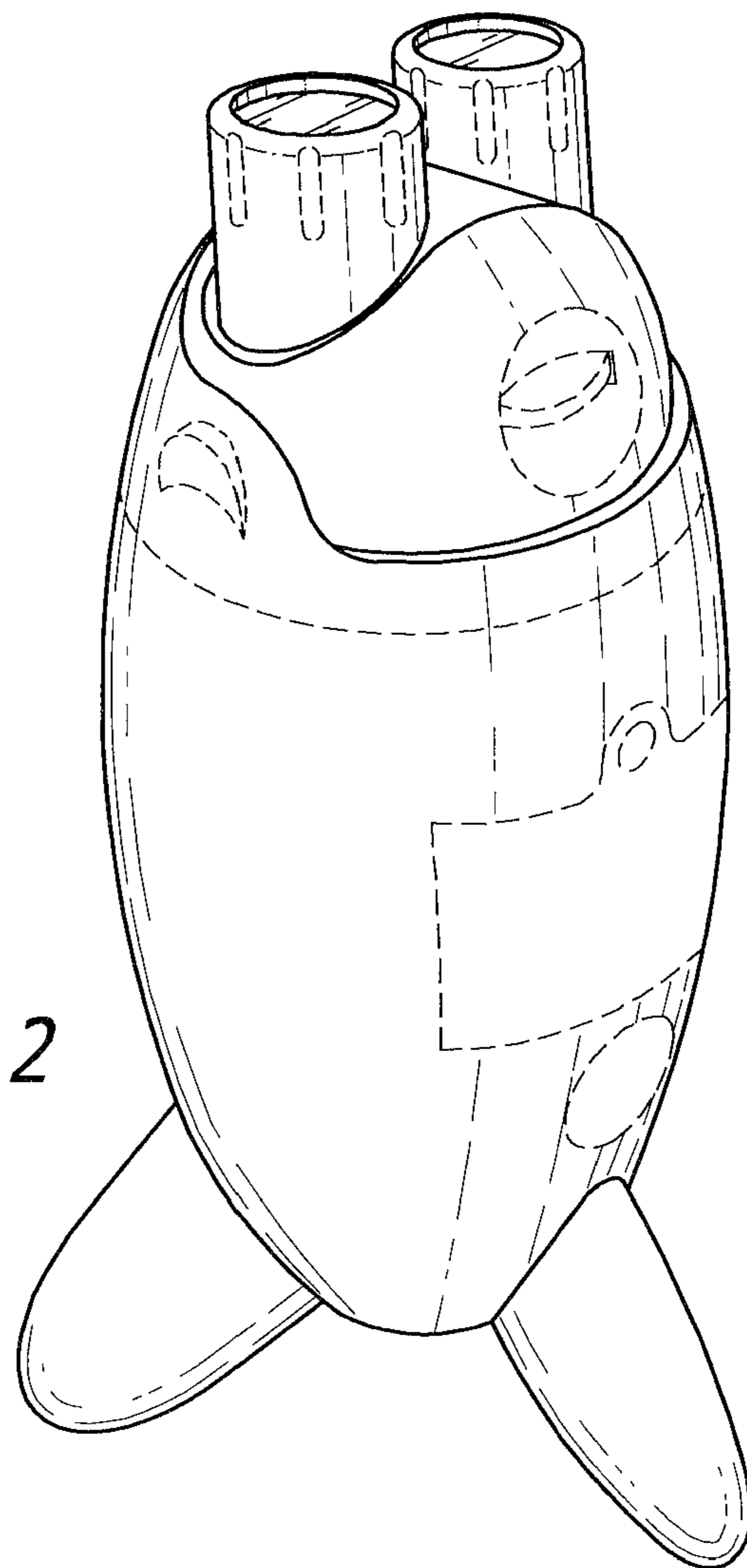
## U.S. PATENT DOCUMENTS

7,149,152 B1 *	12/2006	Chan	.....	368/79	D567,673 S *	4/2008	Chu et al.	.....	D10/15
D546,200 S *	7/2007	Chan	.....	D10/1	D588,022 S *	3/2009	Hocherman et al.	.....	D10/15
D554,283 S *	10/2007	Leeks et al.	.....	D26/111	D596,775 S *	7/2009	Chan	.....	D26/52

\* cited by examiner



*FIG. 1*



*FIG. 2*

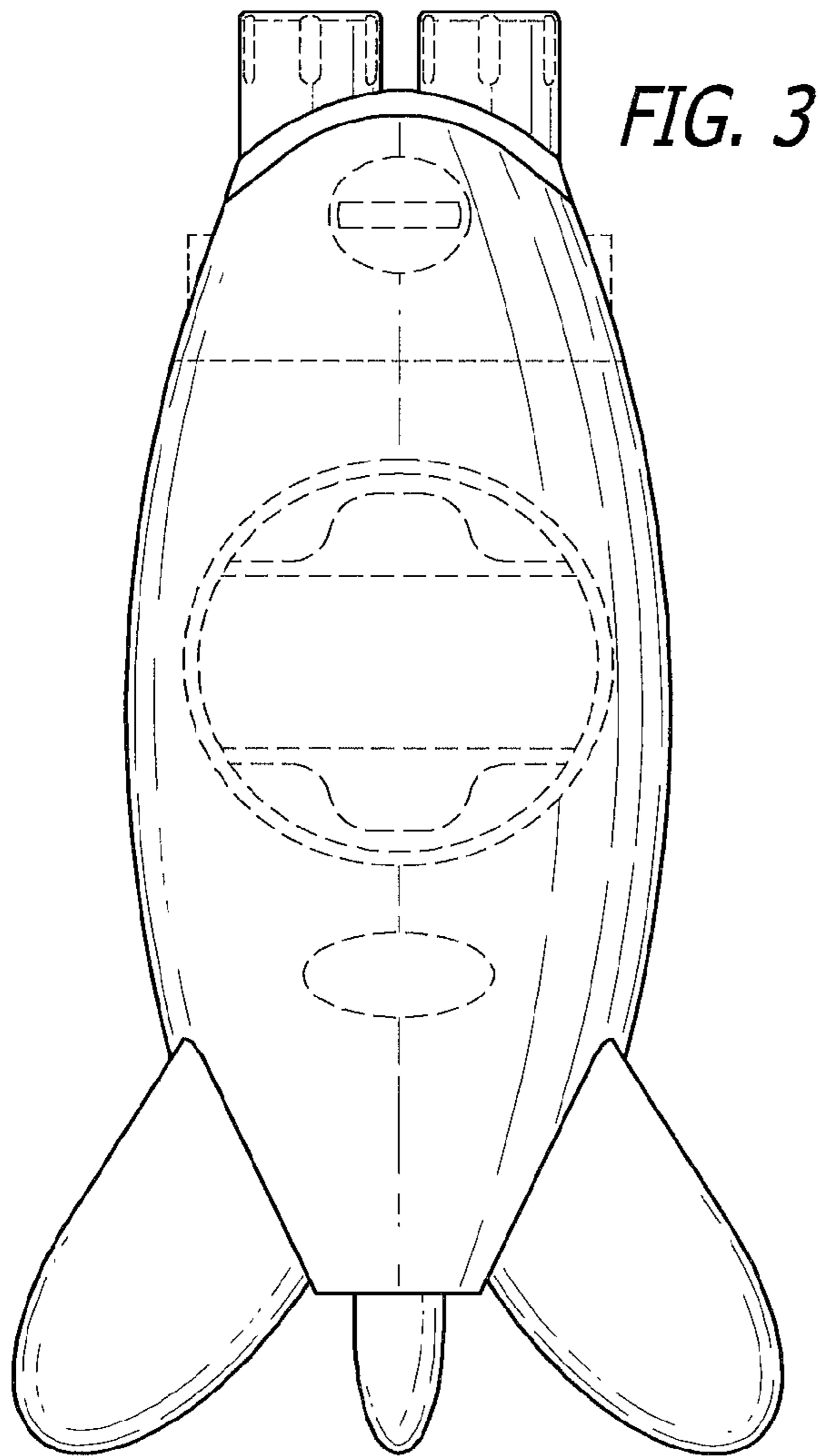


FIG. 3

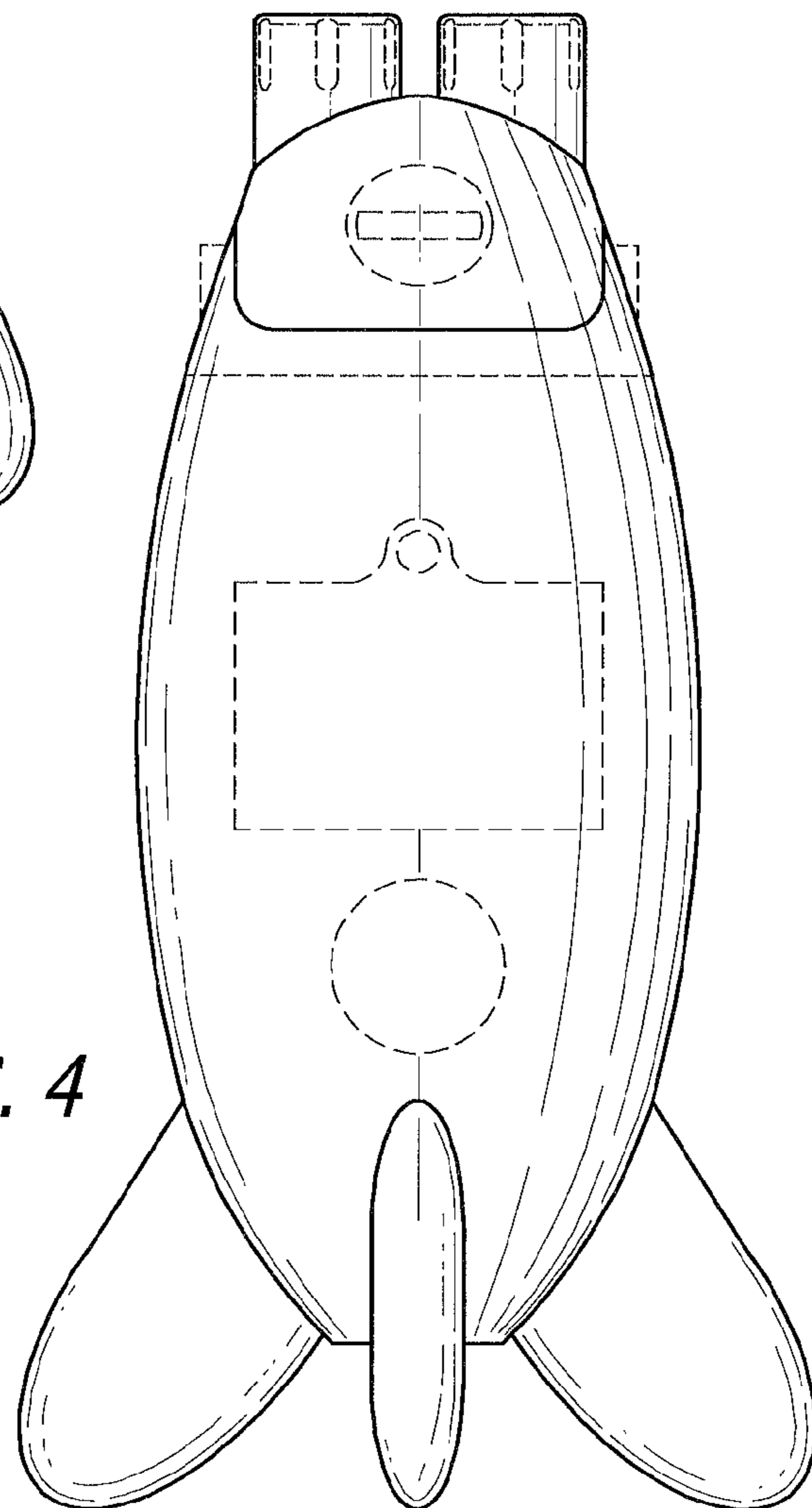
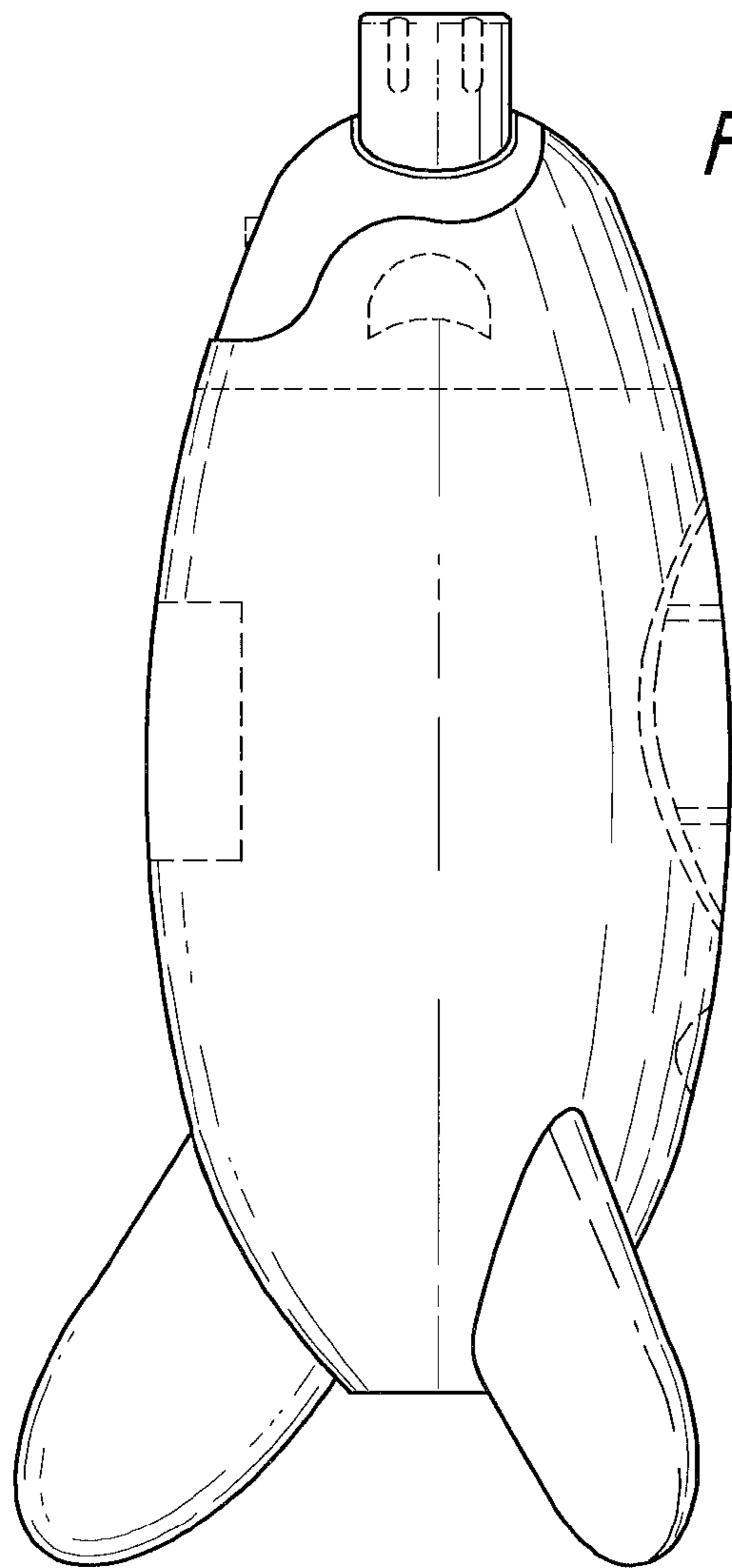
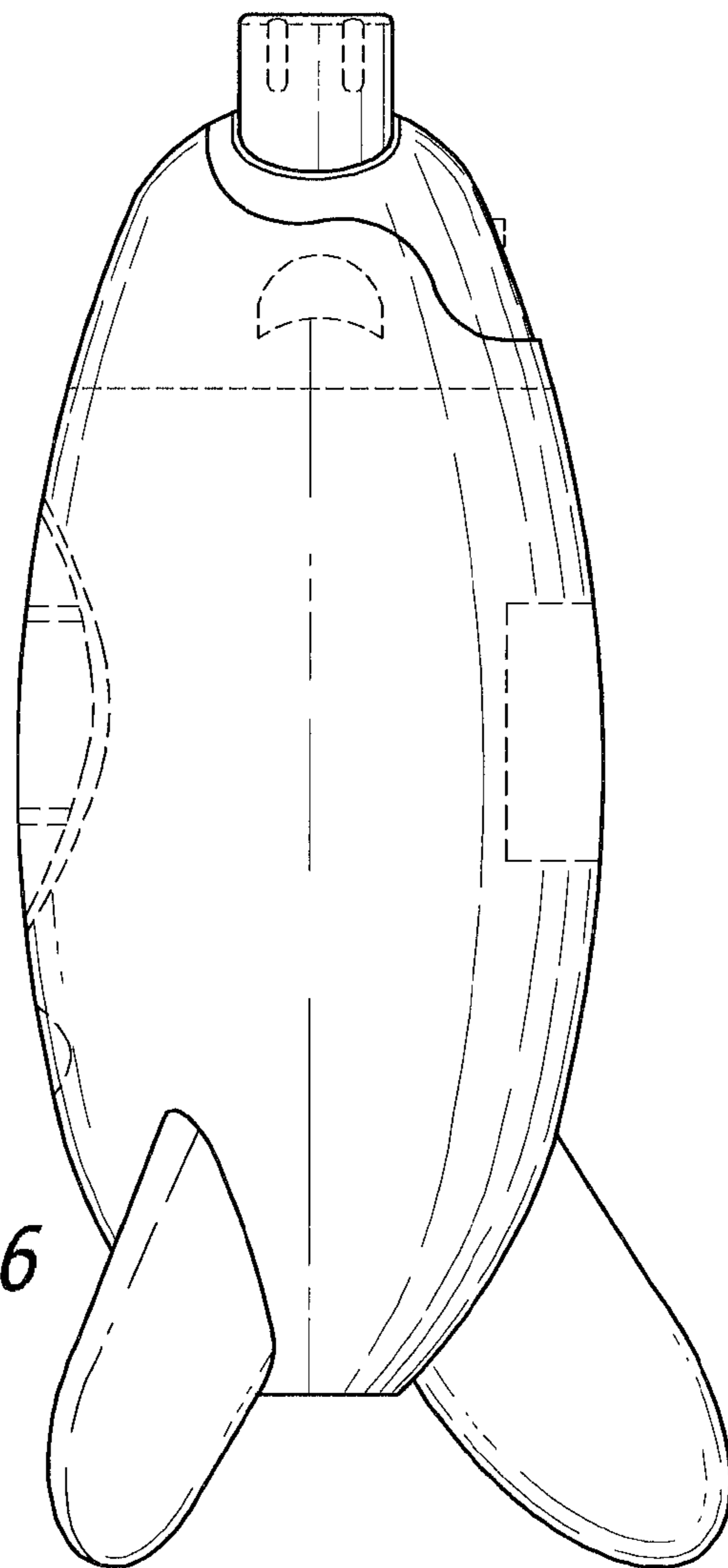


FIG. 4

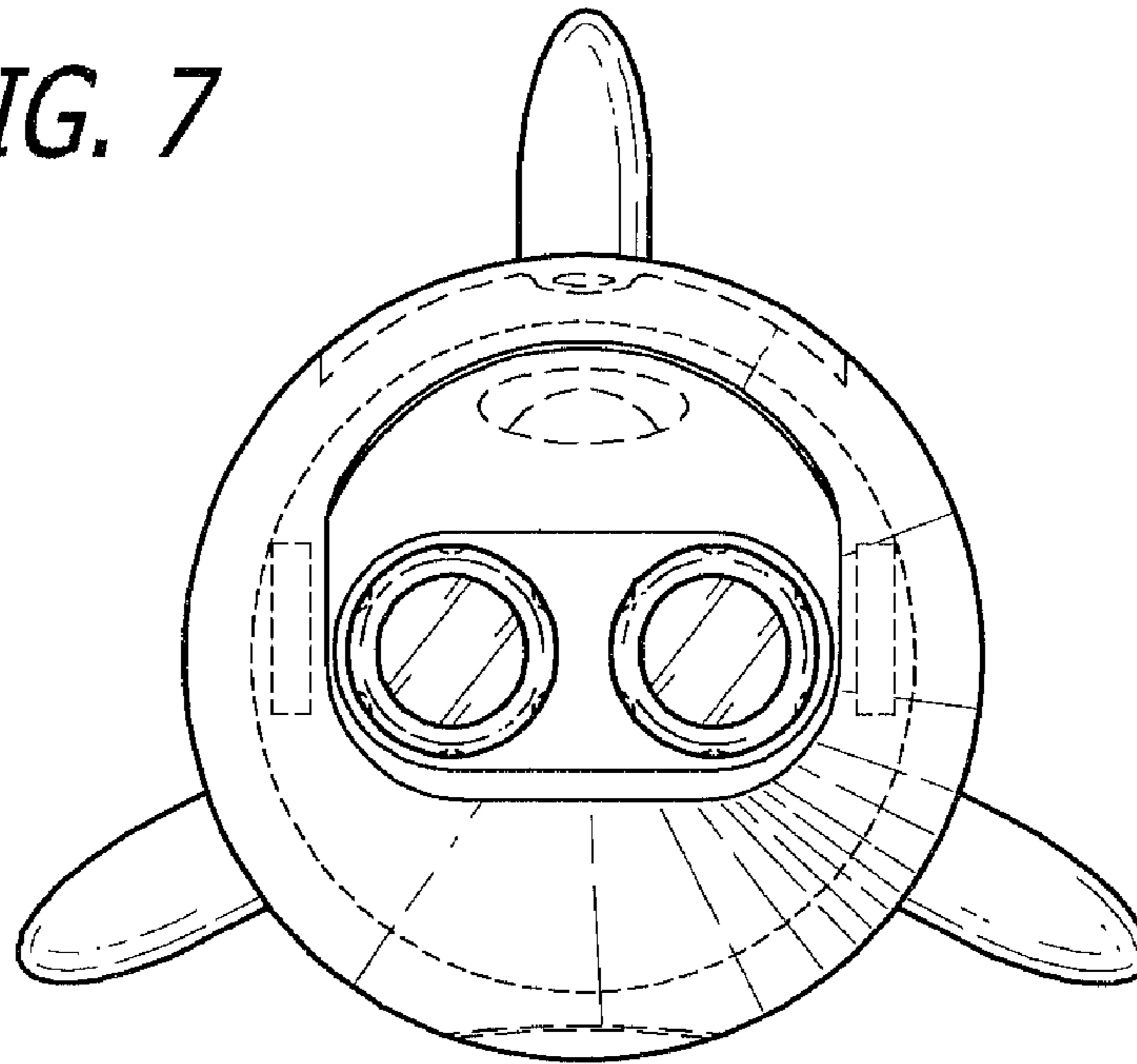


*FIG. 5*

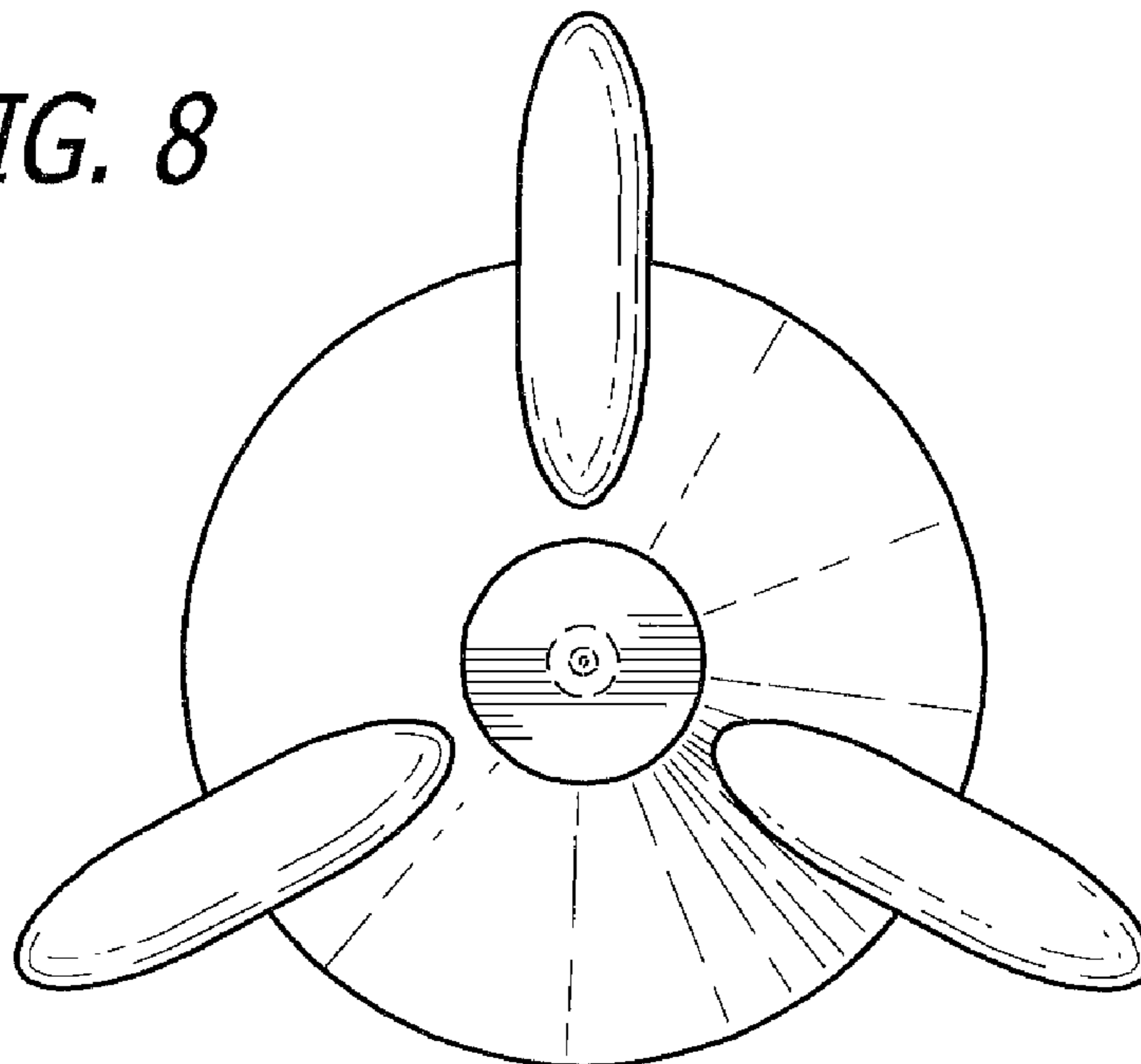


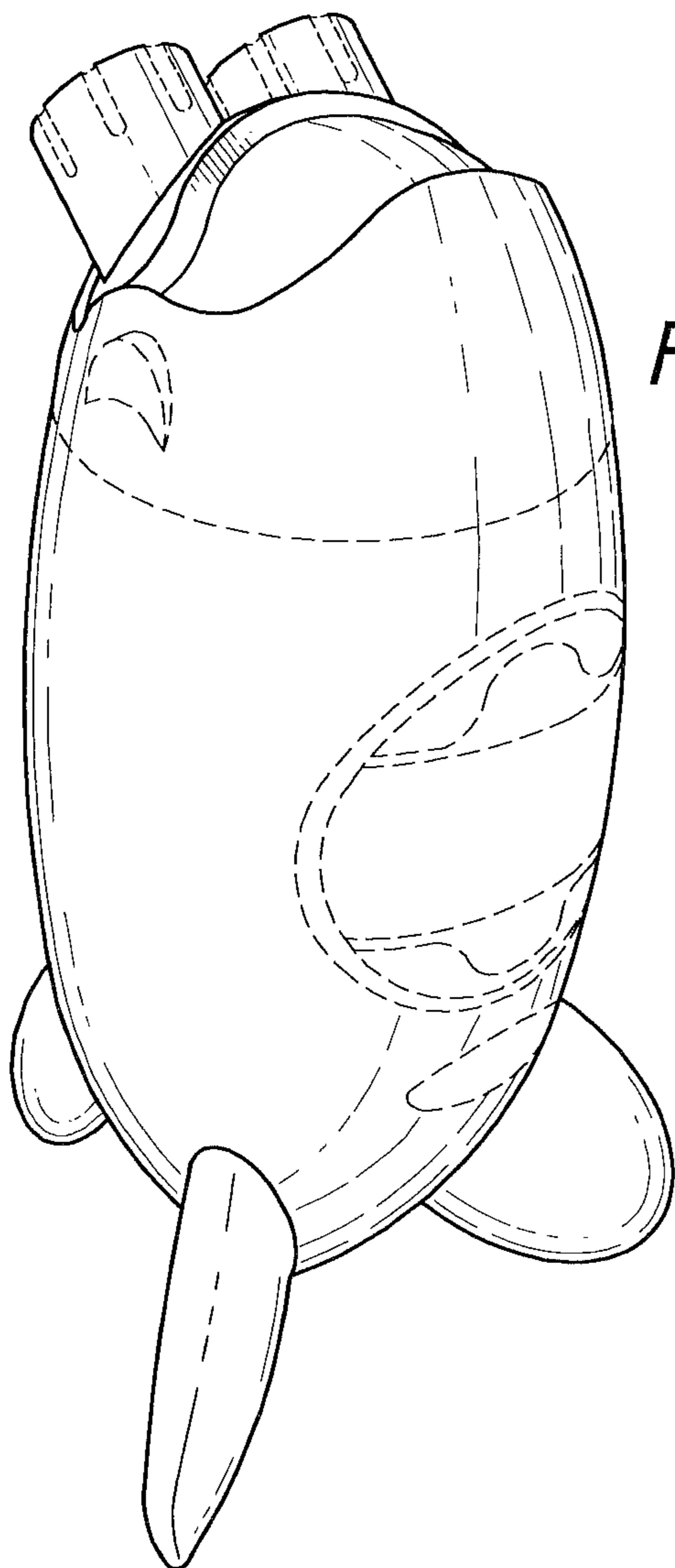
*FIG. 6*

*FIG. 7*

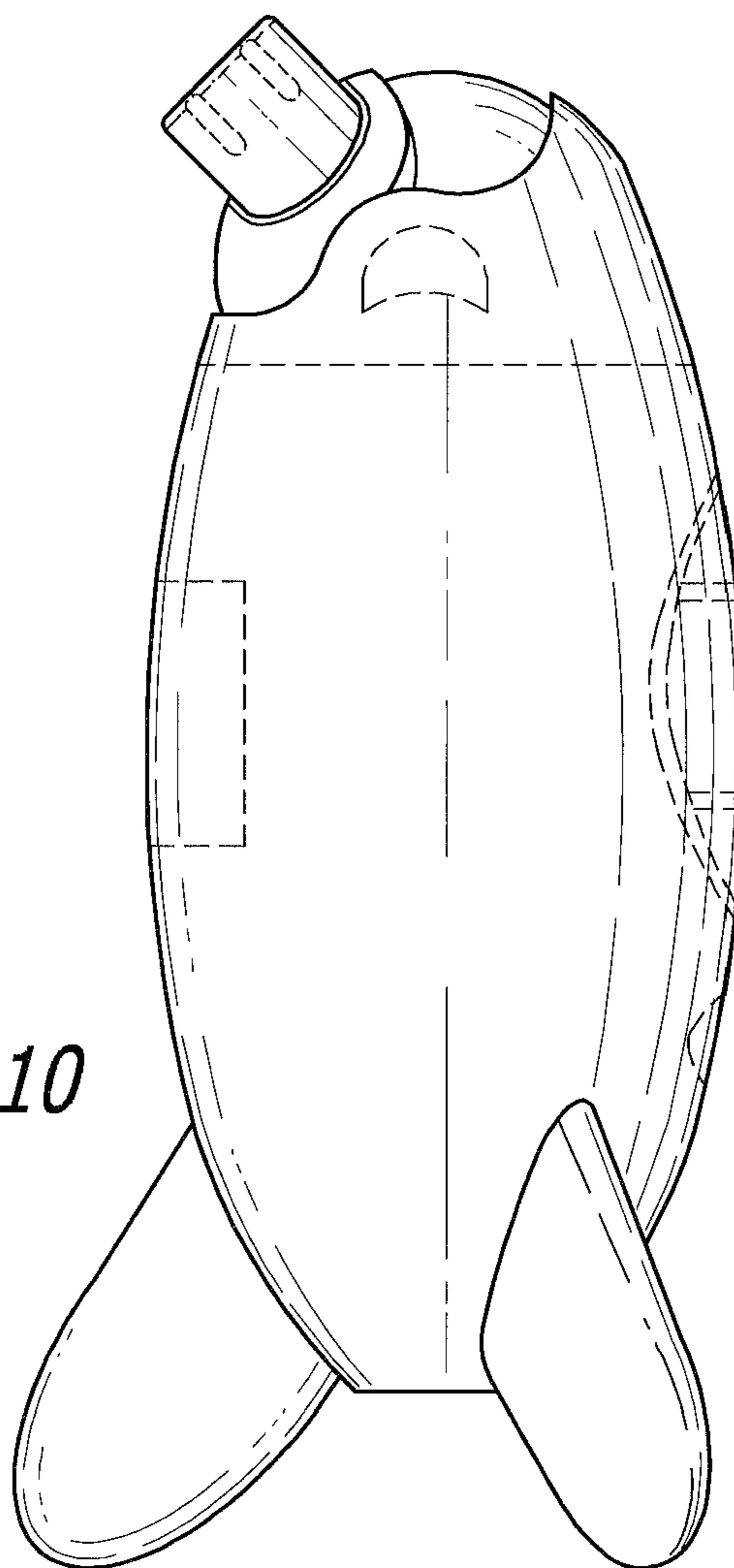


*FIG. 8*





*FIG. 9*



*FIG. 10*