



US00D611837S

(12) **United States Design Patent**
Kim

(10) **Patent No.:** **US D611,837 S**
(45) **Date of Patent:** **** Mar. 16, 2010**

(54) **TIE AND COLLAR STAYS ARRANGED IN A BOX**

(75) Inventor: **Cin Kim**, Alpine, NJ (US)

(73) Assignee: **Peacock Apparel Group, Inc**, New York, NY (US)

(**) Term: **14 Years**

(21) Appl. No.: **29/334,455**

(22) Filed: **Mar. 26, 2009**

(51) **LOC (9) Cl.** **09-01**

(52) **U.S. Cl.** **D9/721**

(58) **Field of Classification Search** D9/414,
D9/415, 418, 423, 430, 432; D2/602, 605-607,
D2/716, 769, 771, 786, 791, 812, 820, 836,
D2/839, 857; D3/272; D6/300; 2/49.2,
2/69, 137-139, 144-157; 229/87.15, 125.08,
229/136, 160, 161, 240, 275, 863, 864
See application file for complete search history.

(56) **References Cited**

U.S. PATENT DOCUMENTS

3,043,494 A * 7/1962 Moore 229/161
D261,479 S * 10/1981 Marks D3/272
4,762,272 A * 8/1988 Herrin 229/125.08
D343,356 S * 1/1994 Wittman D9/415

D368,588 S * 4/1996 Goraleski et al. D6/300
7,096,509 B2 * 8/2006 Kim 2/145
D546,674 S * 7/2007 Limber D9/432
D553,495 S * 10/2007 Vandecasteele et al. D9/432
D574,722 S * 8/2008 Kim D9/721

* cited by examiner

Primary Examiner—Stella M Reid

Assistant Examiner—Shanda C Hill

(74) *Attorney, Agent, or Firm*—Leason Ellis LLP

(57) **CLAIM**

The ornamental design for a tie and collar stays arranged in a box, as shown and described.

DESCRIPTION

FIG. 1 is a top, front and side perspective view of a tie and collar stays arranged in a box showing my new design;

FIG. 2 is a front elevation view thereof;

FIG. 3 is left side elevation view thereof, the right side being a mirror image thereof;

FIG. 4 is a top plan view thereof; and,

FIG. 5 is a bottom plan view thereof.

The broken line showing cuff links is for illustrative purposes only and forms no part of the claimed design.

1 Claim, 2 Drawing Sheets

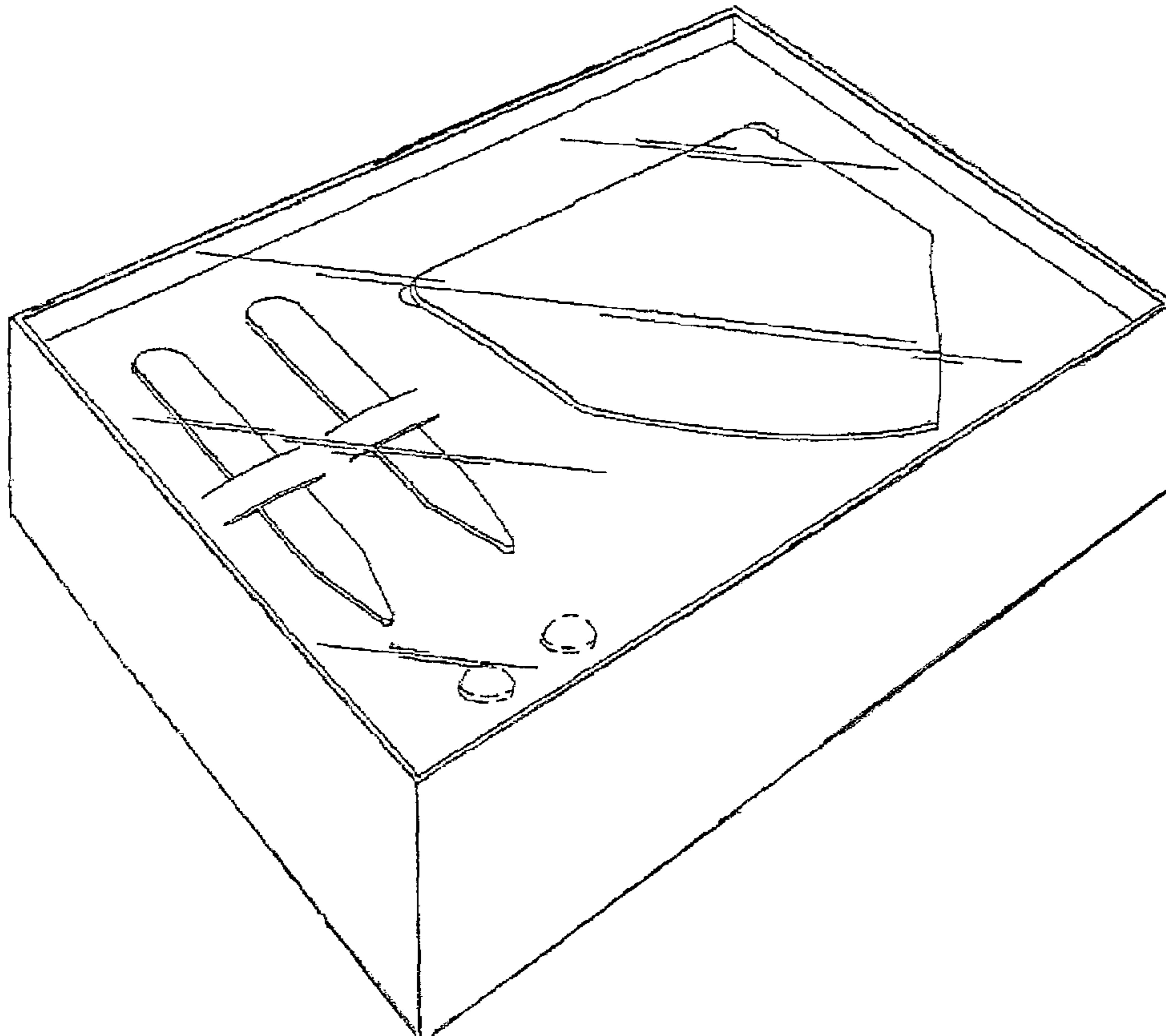


FIG. 1

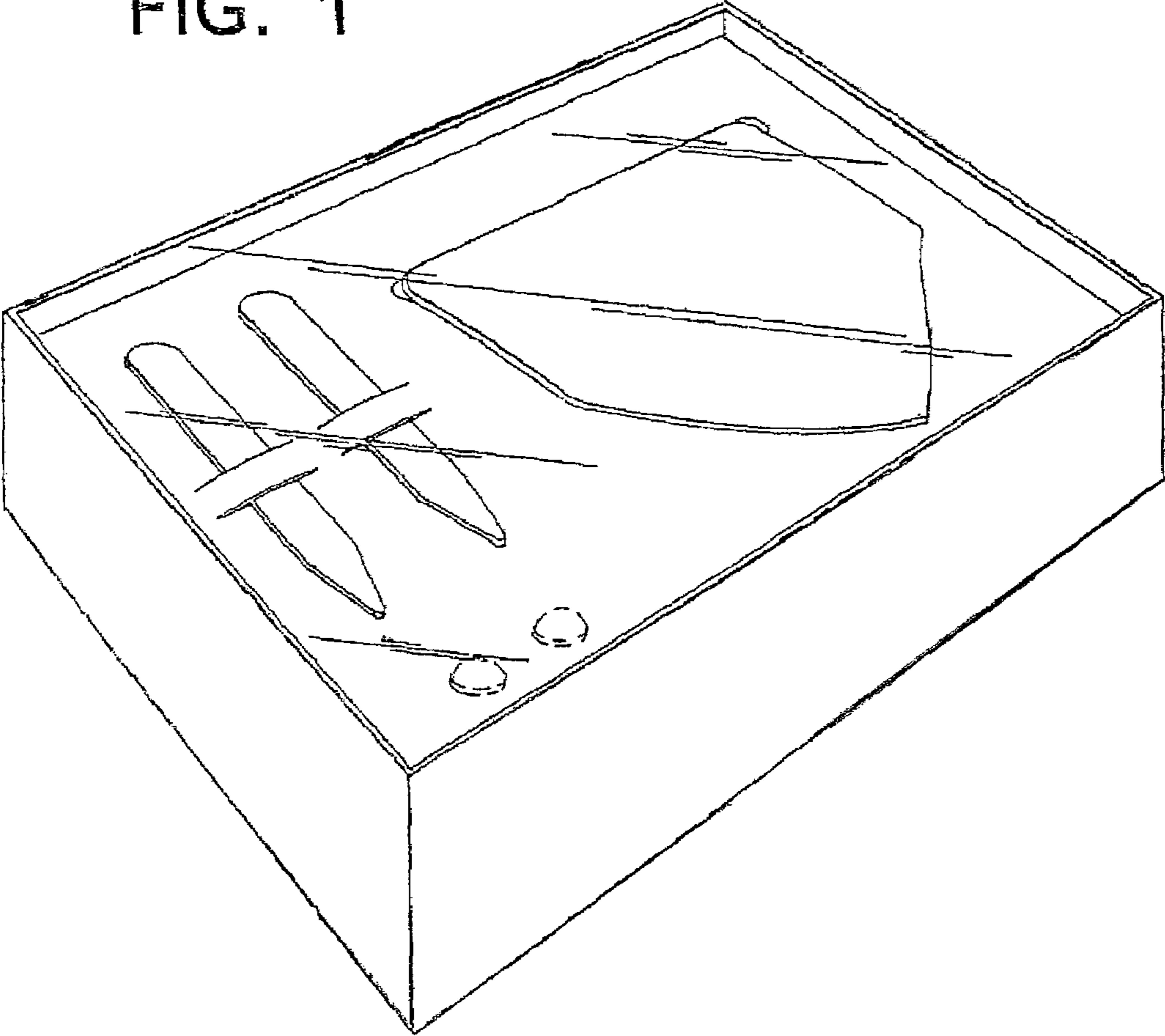
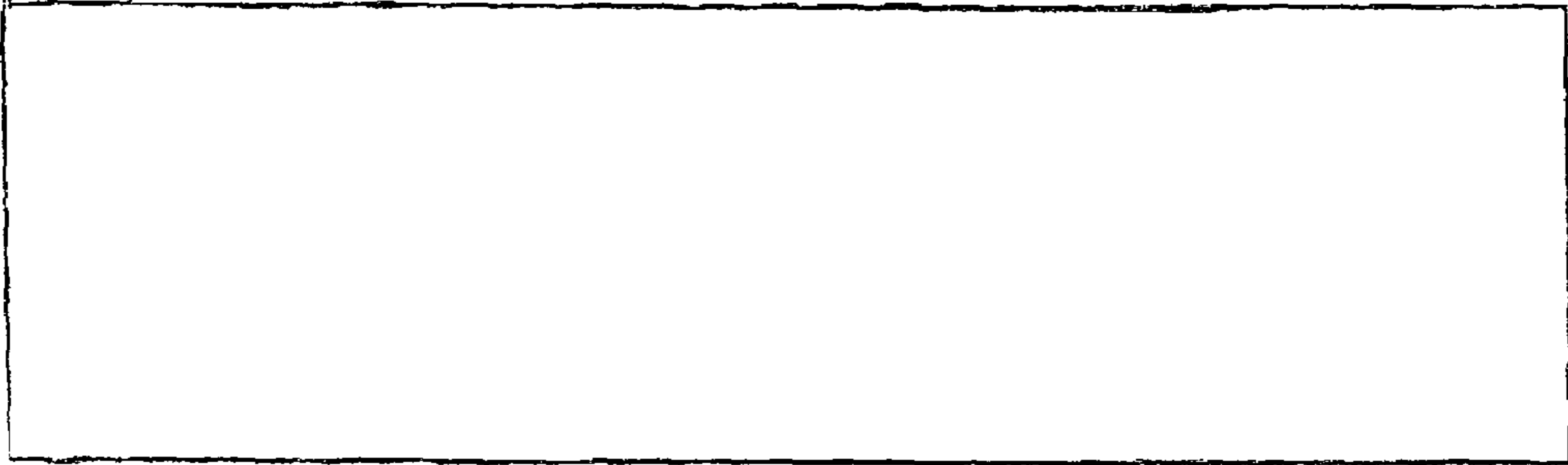


FIG. 2



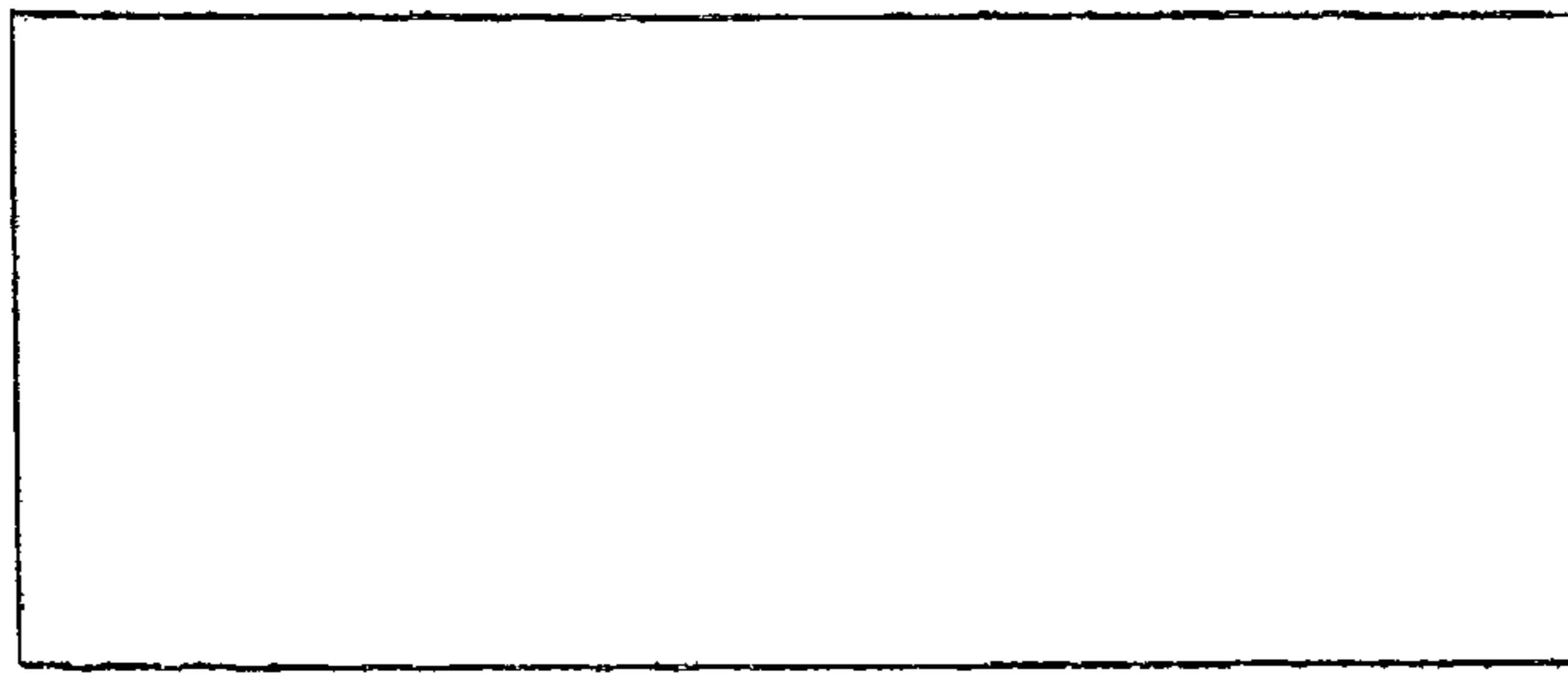


FIG. 3

FIG. 4

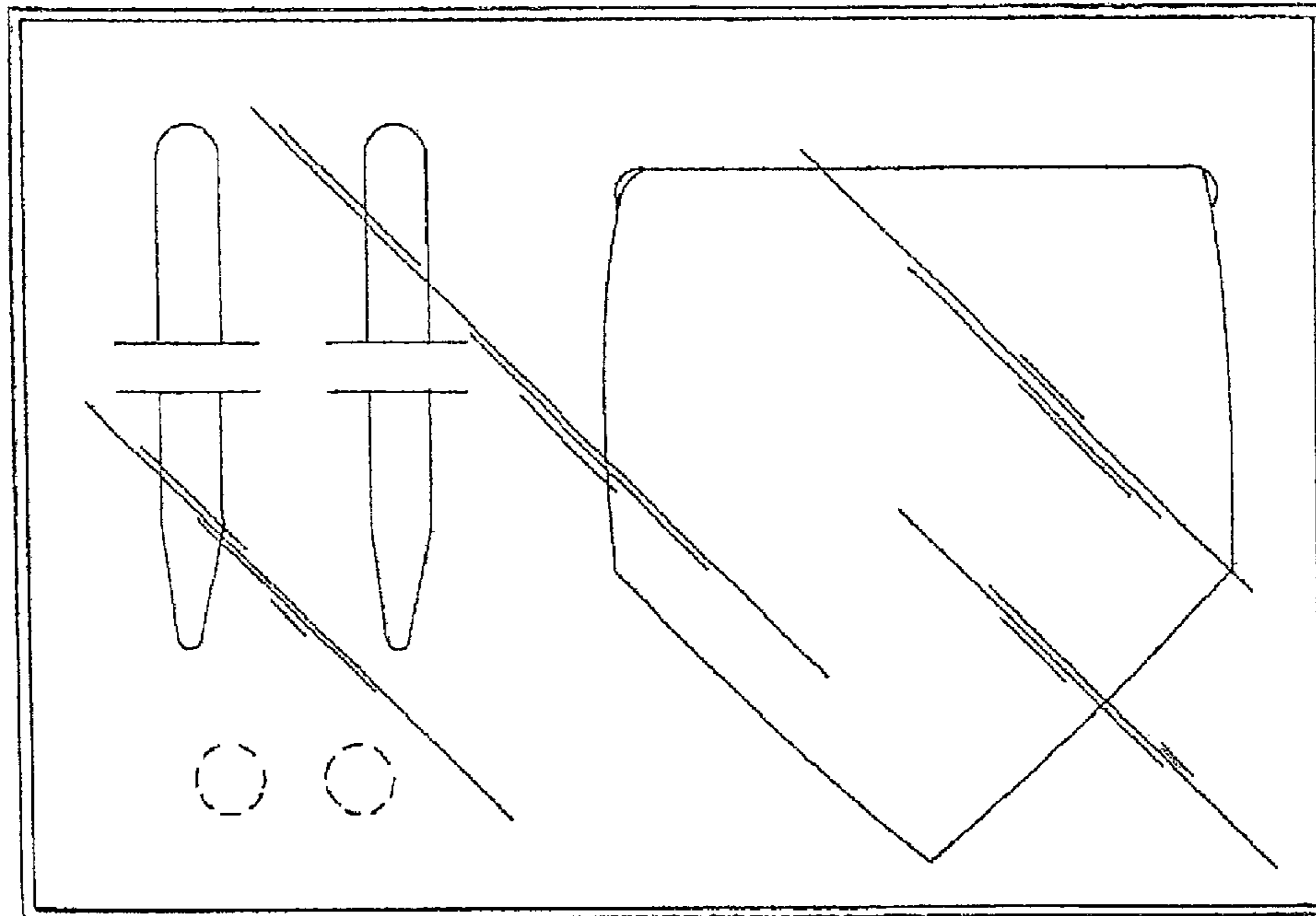


FIG. 5

