



US00D611835S

(12) **United States Design Patent**
Chou Huang

(10) **Patent No.:** **US D611,835 S**

(45) **Date of Patent:** **** Mar. 16, 2010**

(54) **POWDERED MILK CONTAINER**

D500,249 S * 12/2004 Duboeuf et al. D9/631
D548,958 S * 8/2007 Ballman et al. D3/218

(76) Inventor: **Wen-An Chou Huang**, No. 68, Lane 40,
Ta Fu Street, San Min District,
Kaohsiung 807 (TW)

* cited by examiner

Primary Examiner—Sandra Morris

(74) *Attorney, Agent, or Firm*—Jackson IPG PLLC

(**) Term: **14 Years**

(21) Appl. No.: **29/321,597**

(57) **CLAIM**

(22) Filed: **Jul. 19, 2008**

I claim the ornamental design for a powdered milk container,
as shown and described.

(51) **LOC (9) Cl.** **09-01**

(52) **U.S. Cl.** **D9/631**

(58) **Field of Classification Search** D9/600,
D9/631, 737–741, 743, 747; D3/238, 270–271.1,
D3/271.4; 206/457–458; 215/400; 220/890
See application file for complete search history.

DESCRIPTION

FIG. 1 is a front elevation view thereof.

FIG. 2 is a top plan view thereof.

FIG. 3 is a rear elevation view thereof.

FIG. 4 is a left side view thereof.

FIG. 5 is a right side view thereof; and,

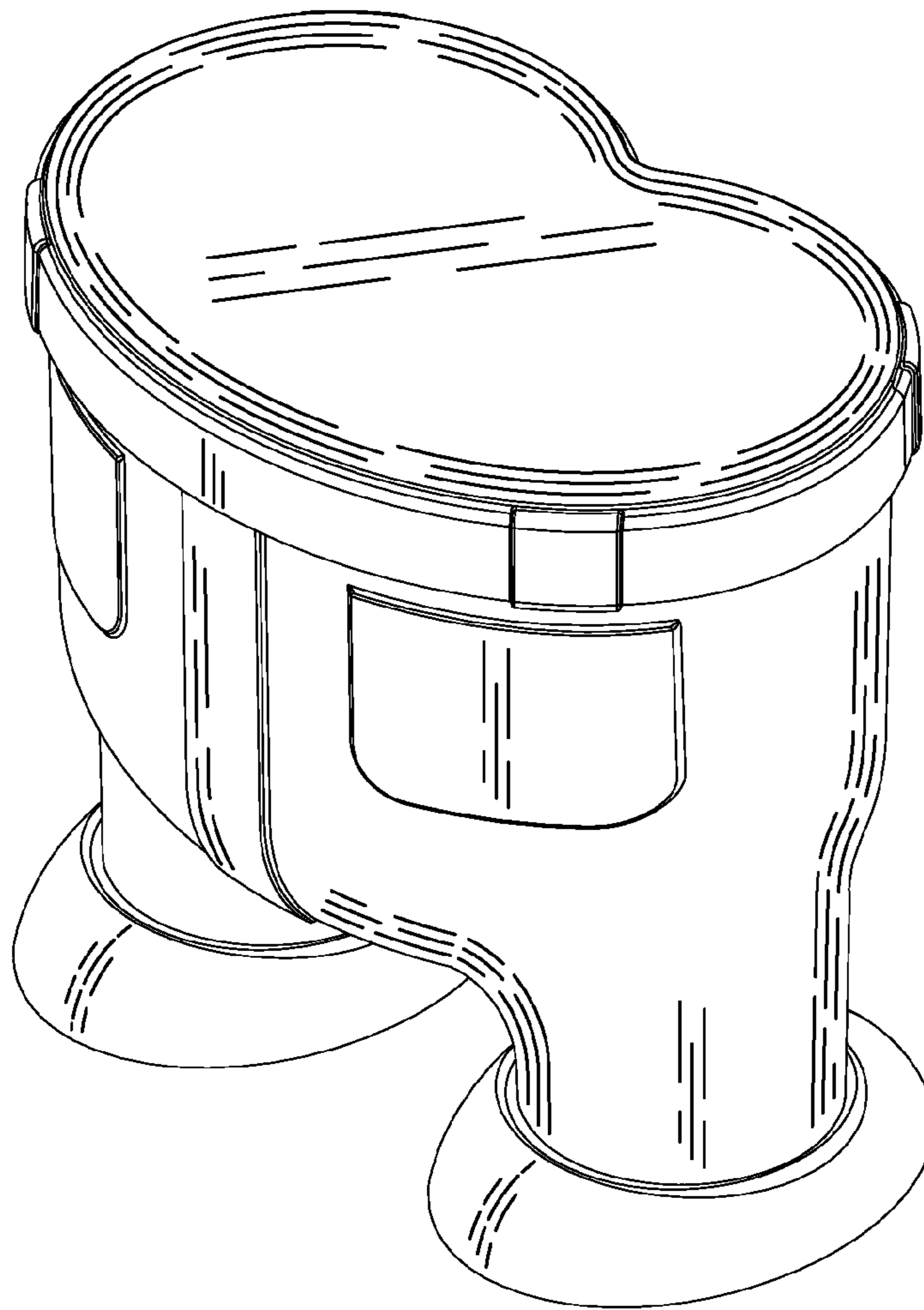
FIG. 6 is a perspective view of a powdered milk container
showing my new design.

(56) **References Cited**

U.S. PATENT DOCUMENTS

D233,136 S * 10/1974 Sherman et al. D9/631
D267,369 S * 12/1982 Blanchard D3/238
D413,437 S * 9/1999 Nickolich D3/238

1 Claim, 4 Drawing Sheets



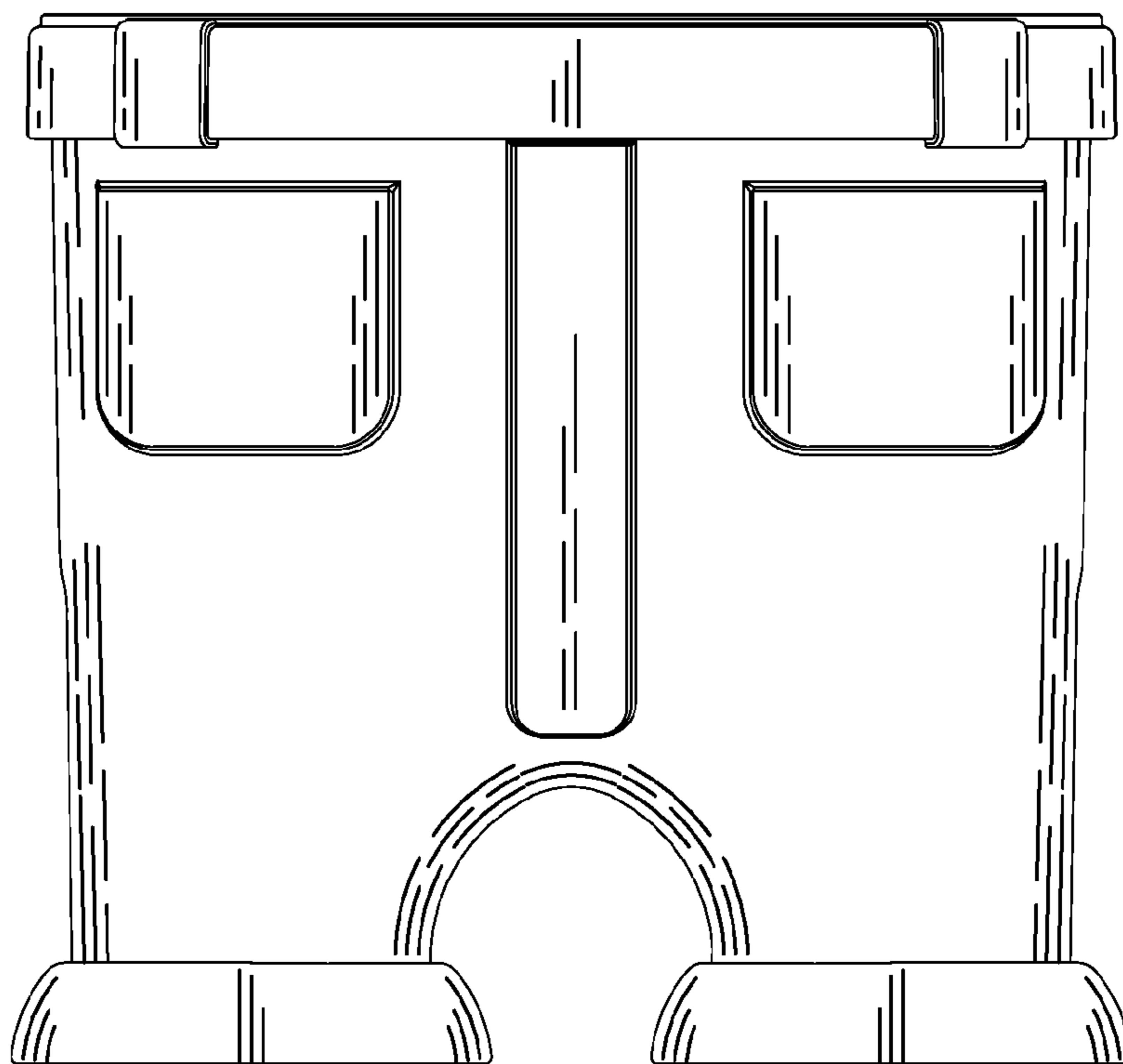


Fig. 1

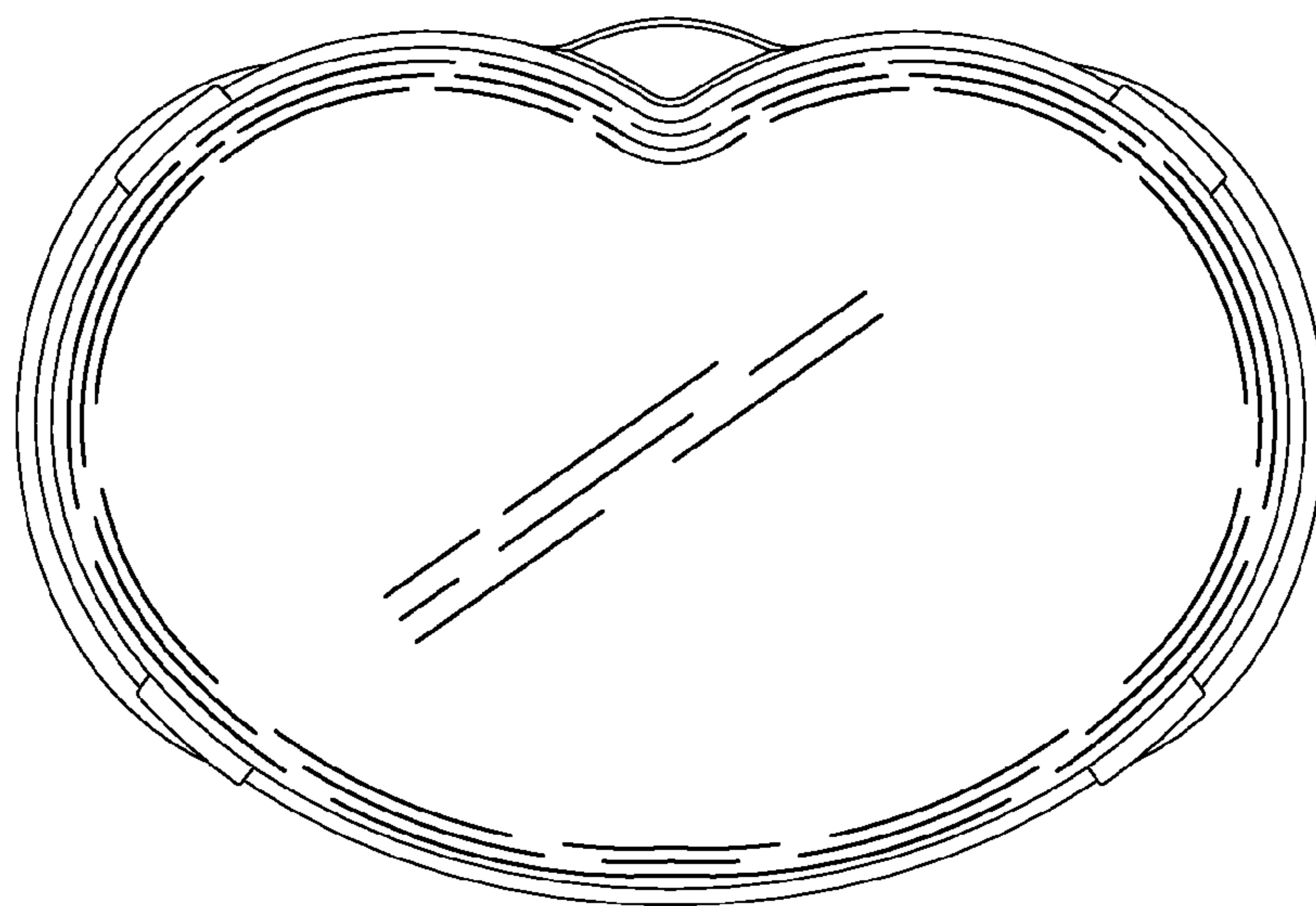


Fig. 2

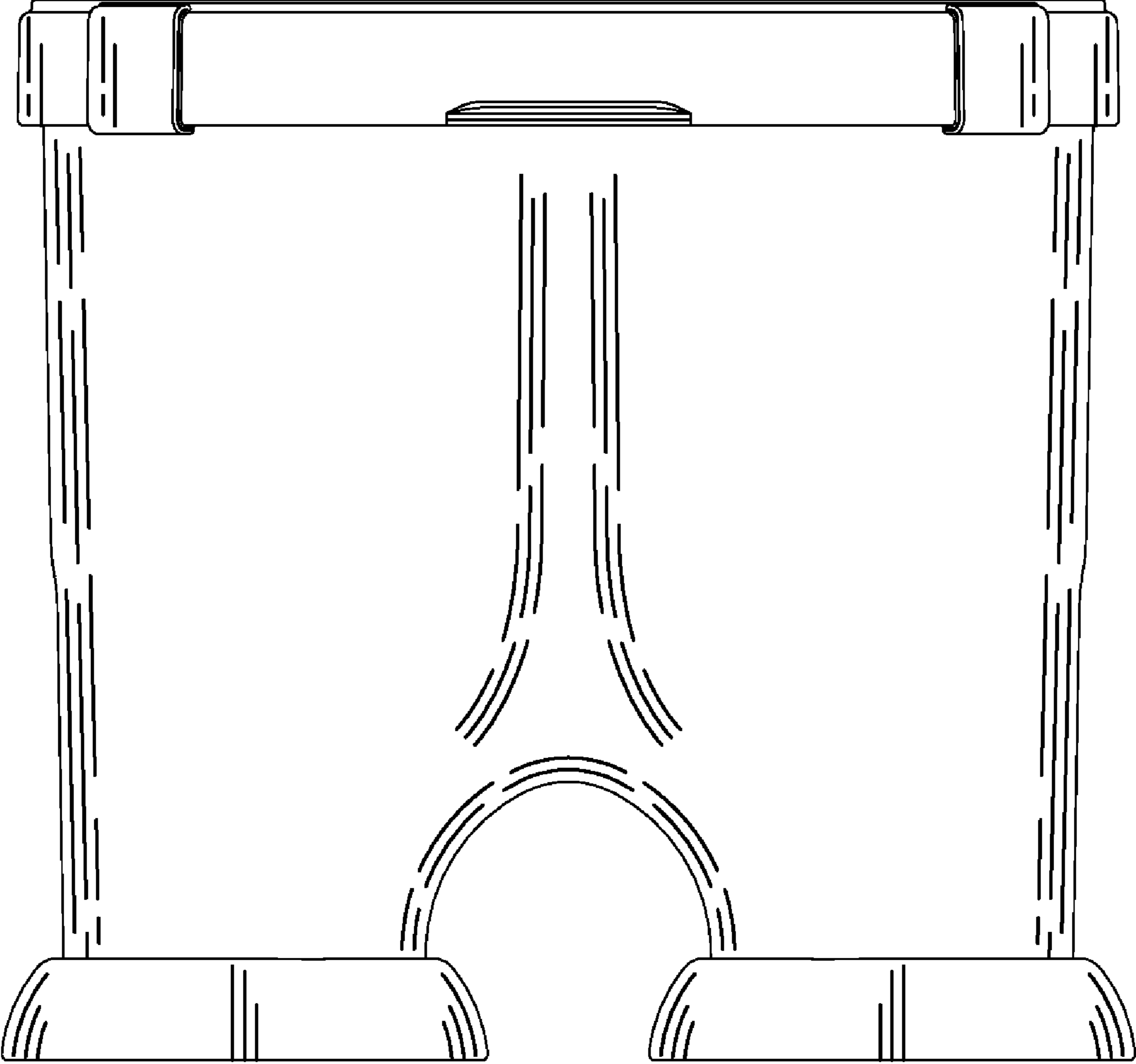


Fig. 3

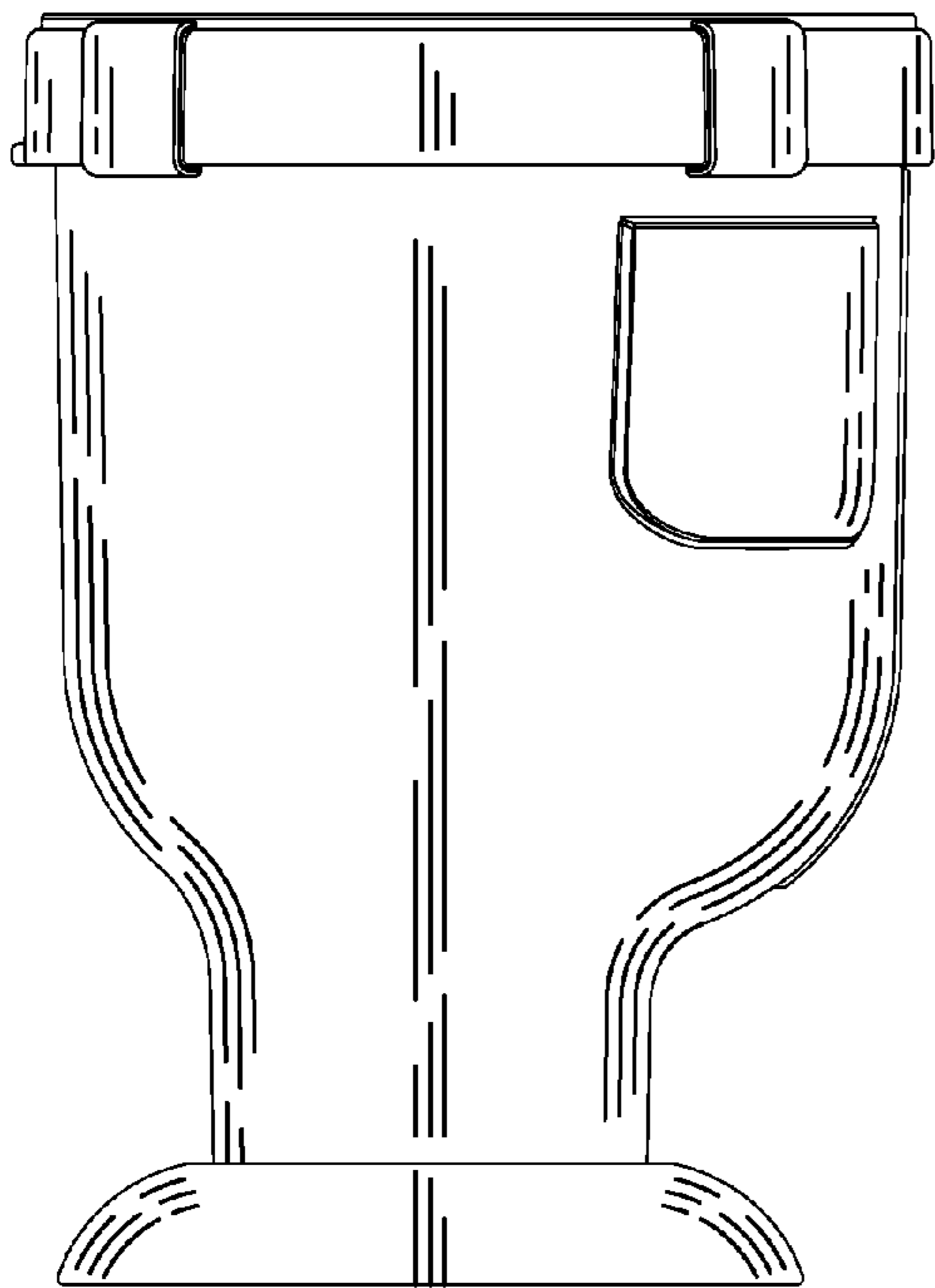


Fig. 4

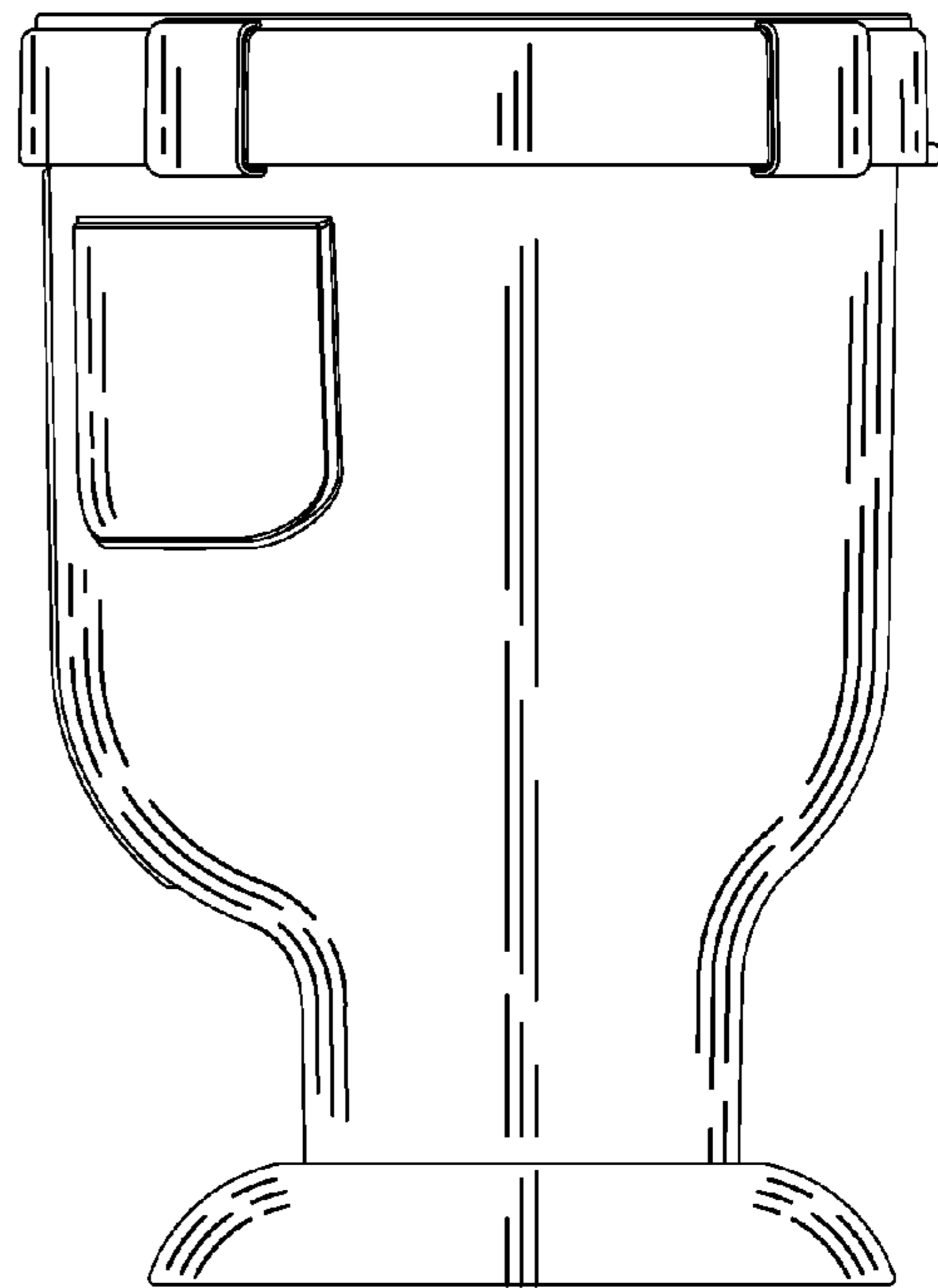


Fig. 5

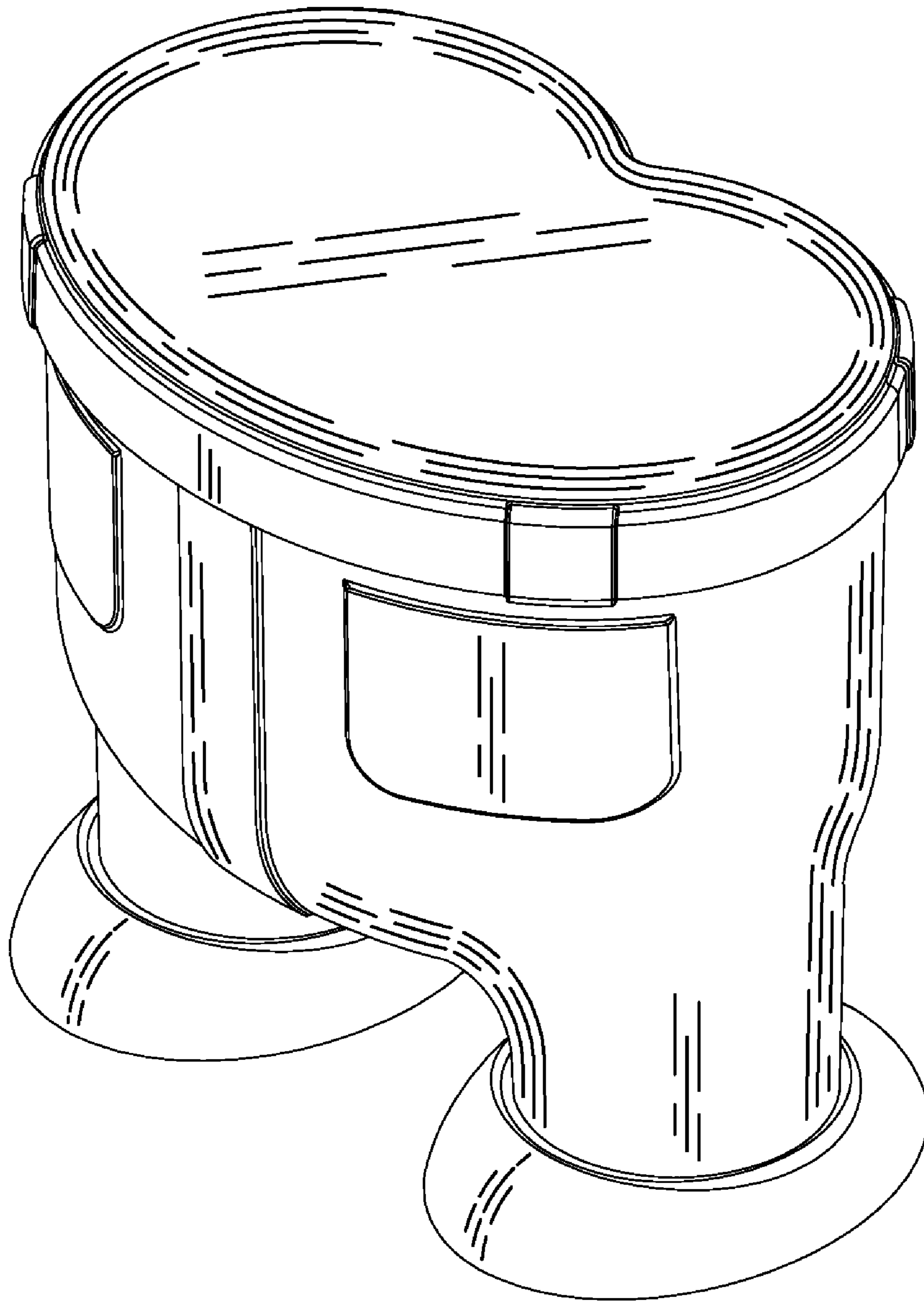


Fig. 6