



US00D611828S

(12) **United States Design Patent**
Lepoitevin

(10) **Patent No.:** **US D611,828 S**

(45) **Date of Patent:** **** Mar. 16, 2010**

(54) **BOTTLE**

(75) Inventor: **Laurent Lepoitevin**, Le Havre Cedex
(FR)

(73) Assignee: **Sidel Participations**, Octeville sur Mer
(FR)

(**) Term: **14 Years**

(21) Appl. No.: **29/326,333**

(22) Filed: **Oct. 16, 2008**

(30) **Foreign Application Priority Data**

Jul. 3, 2008 (EM) 000963921-0001

(51) **LOC (9) Cl.** **09-01**

(52) **U.S. Cl.** **D9/539; D9/538; D9/553**

(58) **Field of Classification Search** D9/516,
D9/520, 530, 537-539, 542, 552, 553, 556,
D9/558, 562, 565, 566, 569, 571, 574; 215/382-384;
220/662, 669, 675

See application file for complete search history.

(56) **References Cited**

U.S. PATENT DOCUMENTS

D416,198 S * 11/1999 Lindsay et al. D9/538
D455,351 S * 4/2002 Bailey D9/502
D489,268 S * 5/2004 Wang D9/556
D499,650 S * 12/2004 Crawford et al. D9/502
7,198,165 B2 * 4/2007 Zhang 215/381

D575,161 S * 8/2008 Lepoitevin D9/538
D584,630 S * 1/2009 Darr et al. D9/538
D585,293 S * 1/2009 Honkawa D9/539
D600,126 S * 9/2009 Lepoitevin D9/530
7,604,140 B2 * 10/2009 Pritchett et al. 215/381

* cited by examiner

Primary Examiner—Stella M Reid

Assistant Examiner—Keli L Hill

(74) *Attorney, Agent, or Firm*—Marshall, Gerstein & Borun
LLP

(57) **CLAIM**

The ornamental design for a bottle, as shown and described.

DESCRIPTION

FIG. 1 is a top and side perspective view of a bottle, embodying my new design.

FIG. 2 is a bottom and side perspective view of the bottle.

FIG. 3 is a side elevational view of the bottle, the opposite side view being identical.

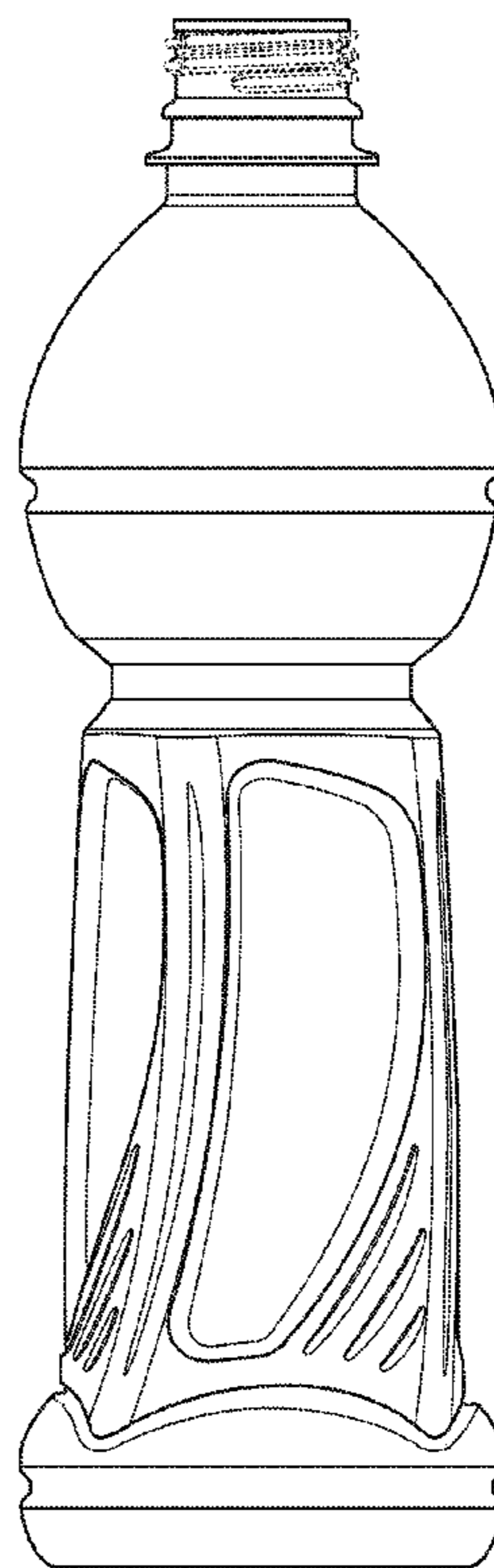
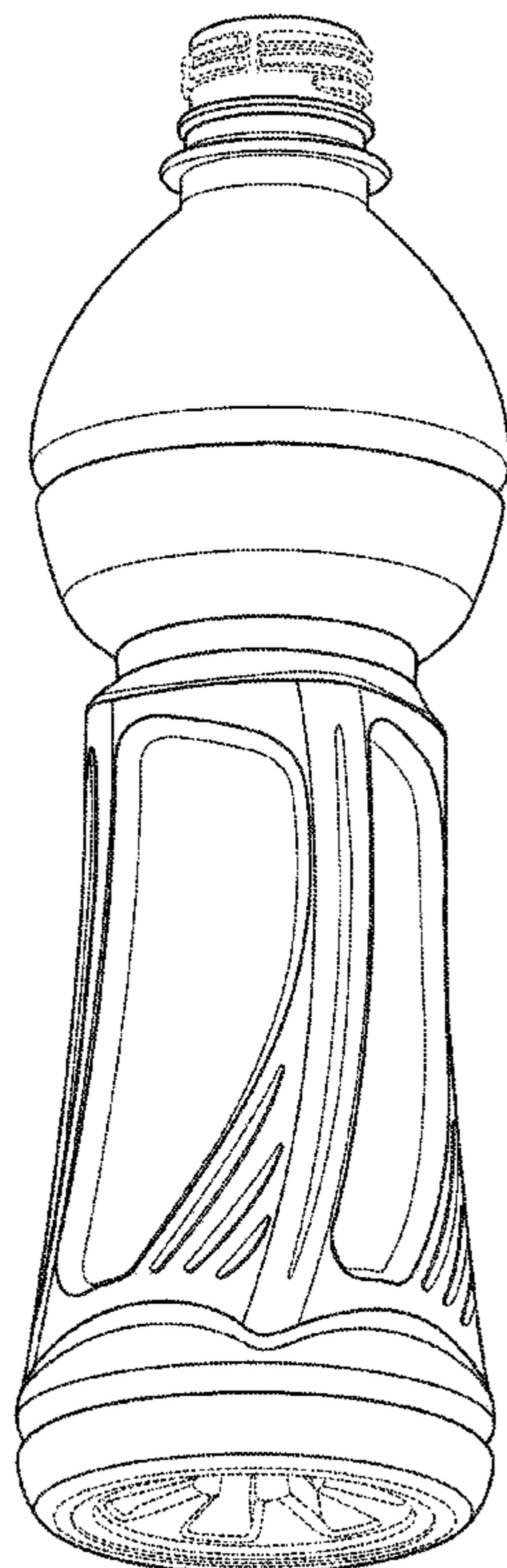
FIG. 4 is a side elevational view of the bottle, rotated approximately 45 degrees from the view seen in FIG. 3.

FIG. 5 is a top plan view of the bottle; and,

FIG. 6 is a bottom view of the bottle.

The broken lines represent the portions of the design that form no part of the claim.

1 Claim, 5 Drawing Sheets



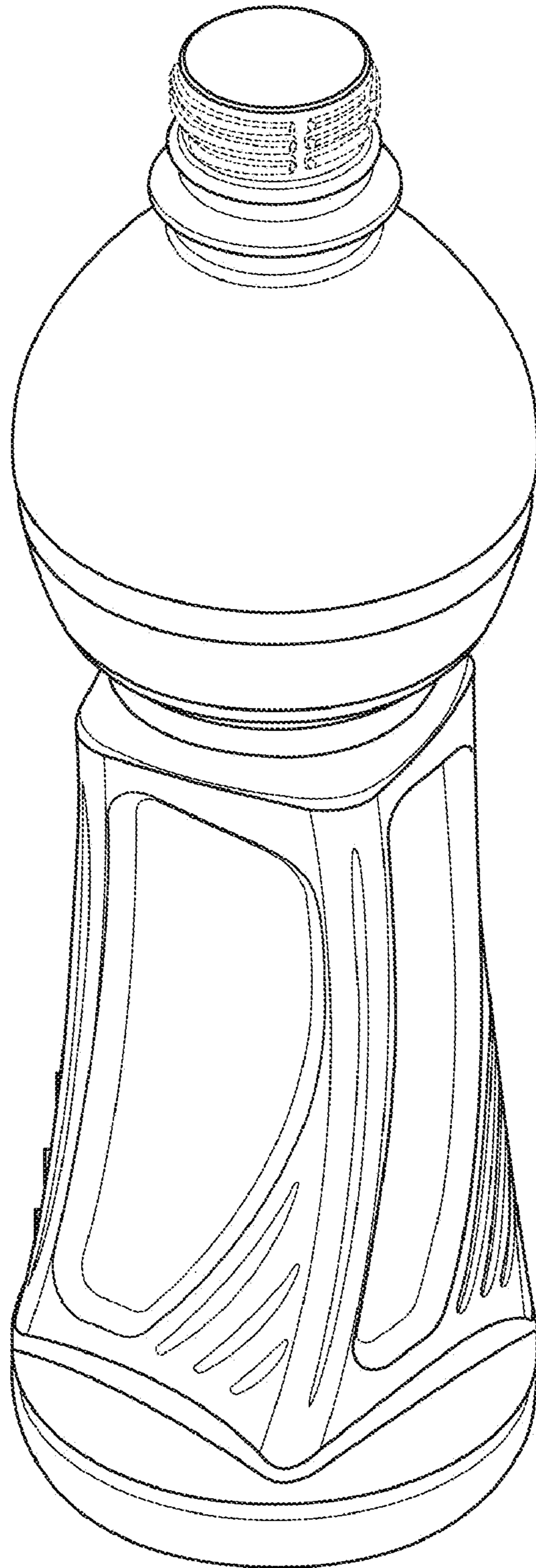


FIG. 1

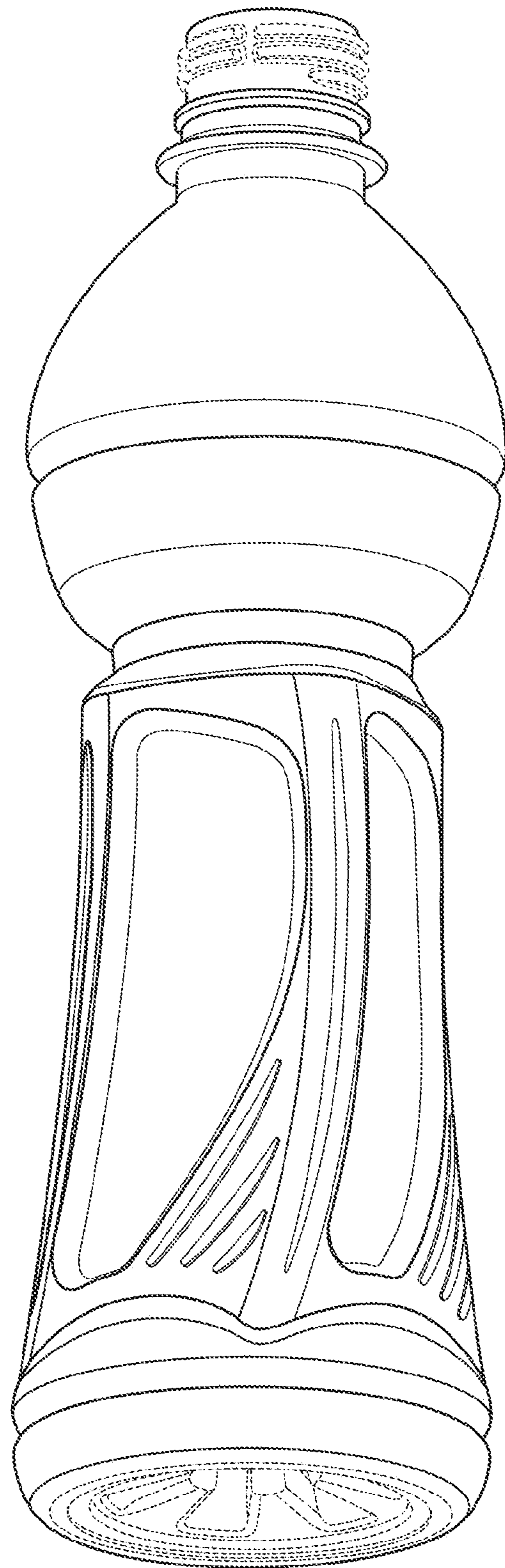


FIG. 2

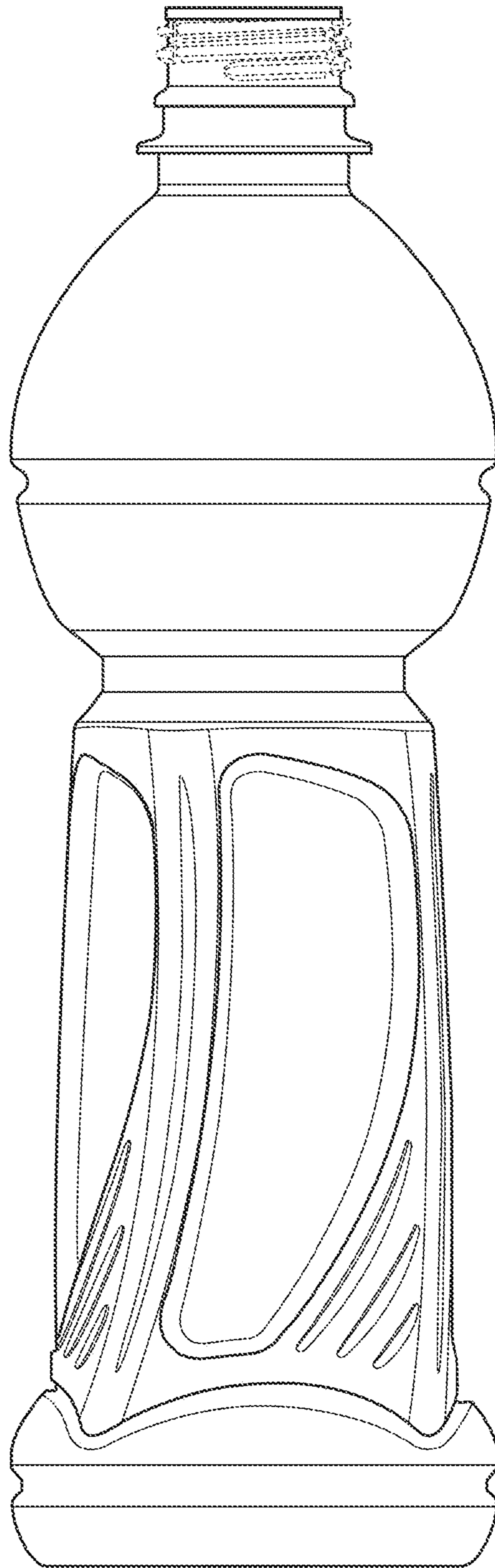


FIG. 3

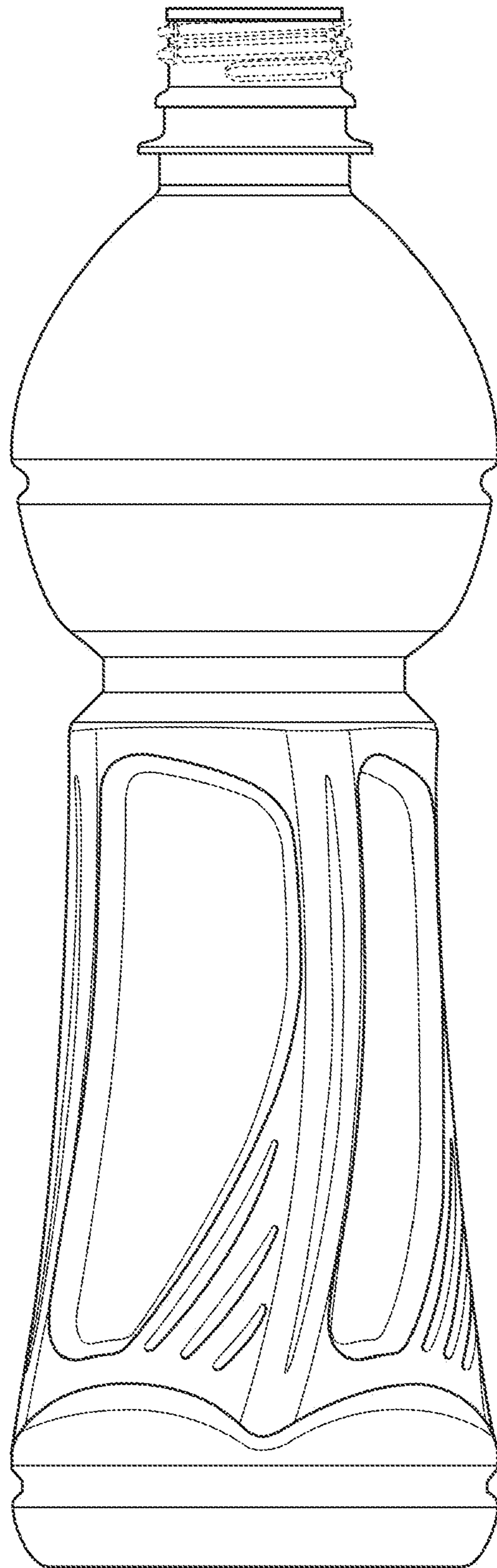


FIG. 4

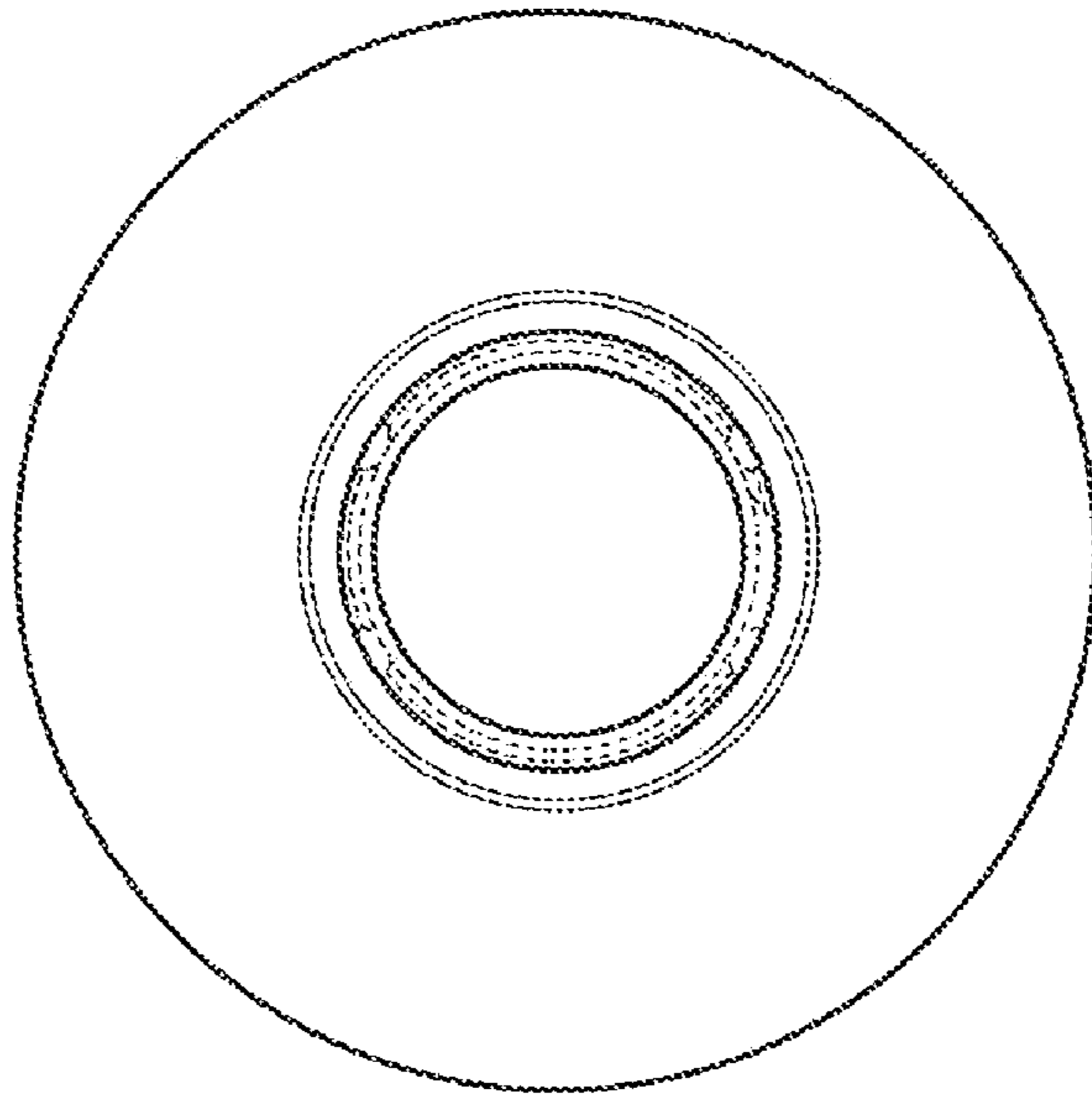


FIG. 5

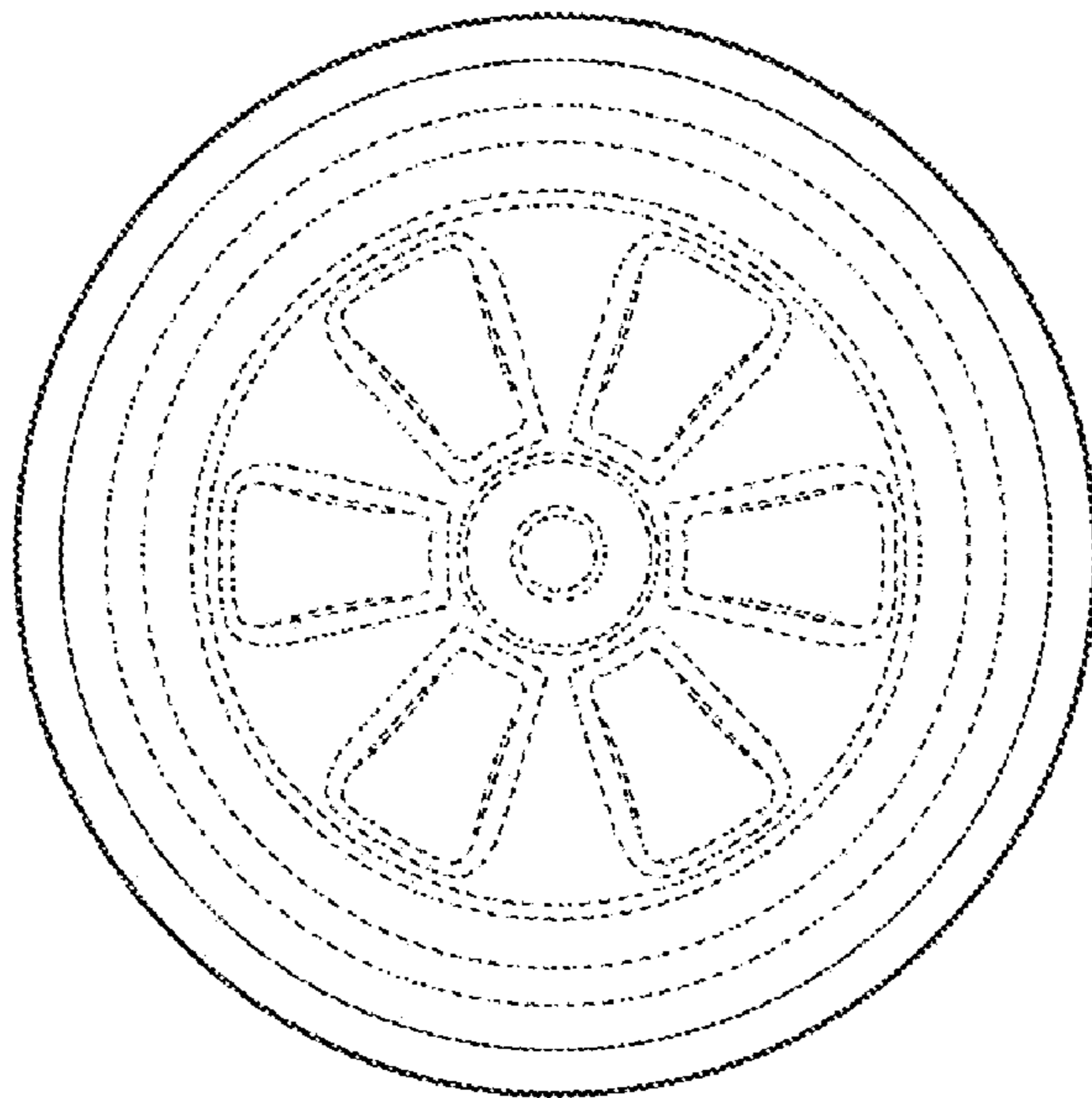


FIG. 6