



US00D611827S

(12) **United States Design Patent**
Bates et al.

(10) **Patent No.:** **US D611,827 S**
(45) **Date of Patent:** **** Mar. 16, 2010**

(54) **BOTTLE**

(75) Inventors: **Julie L. Bates**, Franklin, WI (US);
Steven A. Zach, Waterford, WI (US);
Benjamin R. Lloyd, Milwaukee, WI
(US); **Stephen Jones**, Austin, TX (US)

(73) Assignee: **S.C. Johnson & Son, Inc.**, Racine, WI
(US)

(**) Term: **14 Years**

(21) Appl. No.: **29/346,383**

(22) Filed: **Oct. 30, 2009**

Related U.S. Application Data

(62) Division of application No. 29/333,733, filed on Mar.
13, 2009, now Pat. No. Des. 607,335.

(51) **LOC (9) Cl.** **09-01**

(52) **U.S. Cl.** **D9/531**

(58) **Field of Classification Search** D9/516,
D9/524, 528, 531, 535, 550, 563, 575; 215/12.2,
215/382-385, 396, 398; 222/566, 572, 575
See application file for complete search history.

(56) **References Cited**

U.S. PATENT DOCUMENTS

D47,355 S	5/1915	Coane
D229,890 S	5/1915	Pardo
2,639,521 A	5/1953	Rickettson
D216,584 S	2/1970	Hills
3,825,142 A	7/1974	Campagna
D238,753 S	2/1976	McKinney
3,993,250 A	11/1976	Shure
D244,991 S	7/1977	Weckman et al.
D254,709 S	4/1980	McCredie
D255,650 S	7/1980	Britt
D259,094 S	5/1981	Weckman
D263,448 S	3/1982	Turcotte
4,837,892 A	6/1989	Lo
D311,489 S	10/1990	Holmes
D314,140 S	1/1991	Komick et al.

D318,228 S	7/1991	Schlesselman
D323,110 S	1/1992	Simms et al.
D328,712 S	8/1992	Butler et al.
D329,815 S	9/1992	Beaver et al.
D329,816 S	9/1992	Beaver et al.
5,156,285 A	10/1992	Zogg et al.
5,195,664 A	3/1993	Rhea
5,232,107 A	8/1993	Krall et al.
D342,451 S	12/1993	Warner et al.
D358,198 S	5/1995	Wadsworth
D358,333 S	5/1995	Stockwell
D358,334 S	5/1995	Manderfield
D366,692 S	1/1996	Wadsworth
D388,330 S	12/1997	Zimmer
D391,856 S	3/1998	Lynd
5,761,759 A	6/1998	Leversby et al.
D399,734 S	10/1998	Luh et al.
D401,504 S	11/1998	Bolliger et al.

(Continued)

Primary Examiner—Stella M Reid
Assistant Examiner—Shanda C Hill

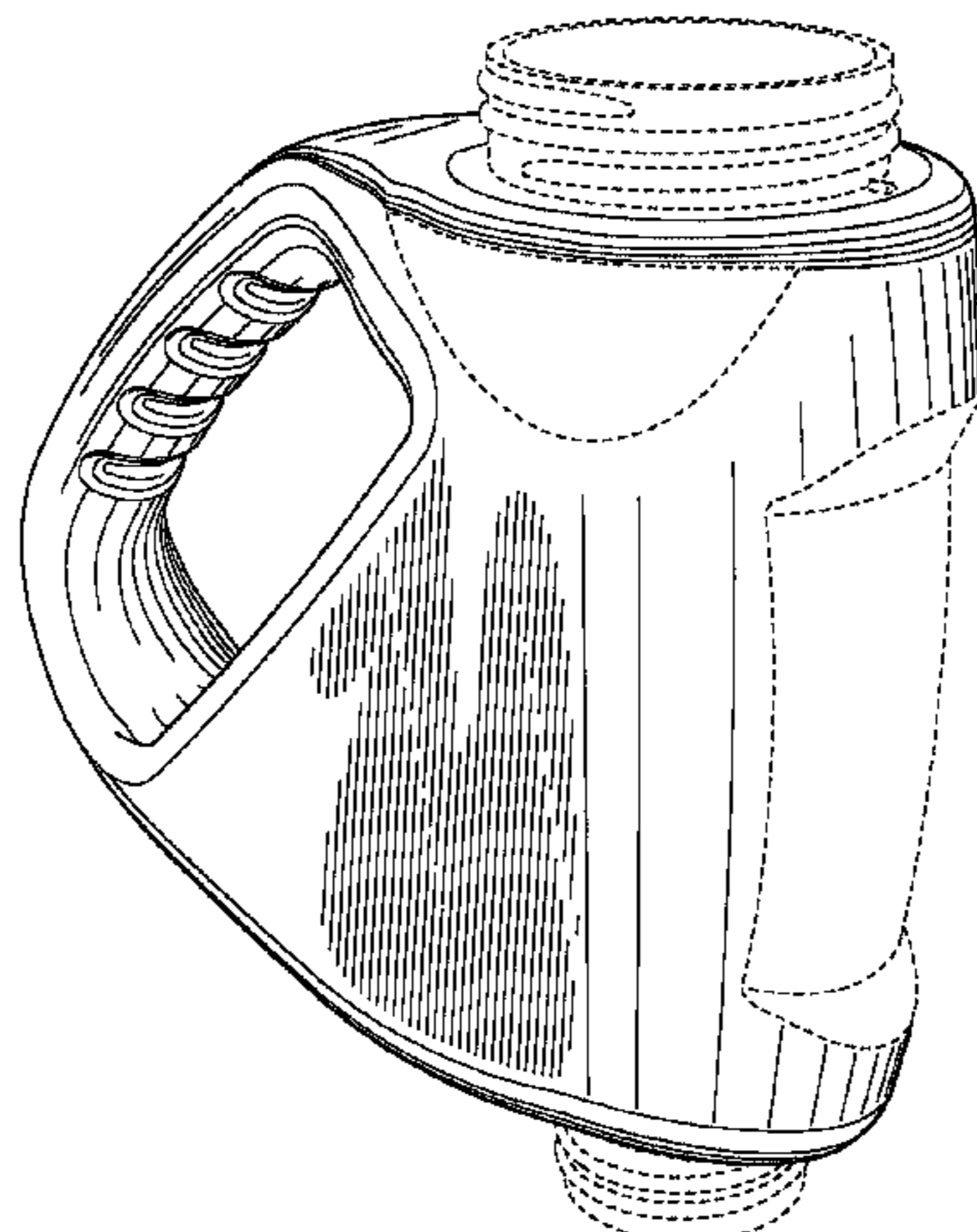
(57) **CLAIM**

The ornamental design for a bottle, as shown and described.

DESCRIPTION

FIG. 1 is a perspective view of a bottle showing our new design;
FIG. 2 is a left side view thereof, the right side view being a mirror image thereof;
FIG. 3 is a front view thereof;
FIG. 4 is a rear view thereof;
FIG. 5 is a top view thereof; and,
FIG. 6 is a bottom view thereof.
The broken lines shown in the drawing disclosure are for illustrative purposes only and form no part of the claimed design.

1 Claim, 3 Drawing Sheets



US D611,827 S

Page 2

U.S. PATENT DOCUMENTS					
			6,536,977 B1	3/2003	Hammel
D406,052 S	2/1999	Dumont et al.	D480,005 S	9/2003	Conway
D406,060 S	2/1999	Dumont et al.	D481,305 S	10/2003	Walters et al.
D406,765 S	3/1999	Zimmer et al.	D484,059 S	12/2003	Romeo et al.
D409,487 S	5/1999	Wadsworth et al.	D485,747 S	1/2004	Crawford
D413,808 S	9/1999	Bolliger et al.	D486,068 S	2/2004	Crawford et al.
D415,430 S	10/1999	Bodker et al.	D486,397 S	2/2004	Crawford et al.
D416,802 S	11/1999	Zimmer et al.	D486,743 S	2/2004	Nelson et al.
D418,063 S	12/1999	Feen	D487,223 S	3/2004	Arai et al.
D419,875 S	2/2000	Wadsworth et al.	D487,401 S	3/2004	Cotton et al.
D420,918 S	2/2000	Hefter et al.	D488,066 S	4/2004	Nelson et al.
D421,388 S	3/2000	Cummings	D489,621 S	5/2004	Grisdale et al.
D422,216 S	4/2000	Brozell	D490,700 S	6/2004	Conway et al.
D422,493 S	4/2000	Clarke	D493,723 S	8/2004	Nelson et al.
D422,920 S	4/2000	Tapp	D497,971 S	11/2004	Conway et al.
D423,362 S	4/2000	Di Bartolo et al.	D498,670 S	11/2004	Cummings et al.
6,059,152 A	5/2000	Mayfield	D501,796 S	2/2005	Crawford et al.
6,059,153 A	5/2000	Olson et al.	D507,488 S	7/2005	Golding et al.
D427,078 S	6/2000	Schaaf et al.	D507,493 S	7/2005	Nelson et al.
D428,817 S	8/2000	Olson et al.	D510,869 S	10/2005	Gross et al.
D429,159 S	8/2000	Feen	D512,916 S	12/2005	Floyd et al.
D432,426 S	10/2000	Caughey et al.	D514,933 S	2/2006	Bitowft et al.
6,138,873 A	10/2000	Gramola	D518,376 S	4/2006	Floyd et al.
D433,335 S	11/2000	Zimmer et al.	D519,371 S	4/2006	Hornsby et al.
D434,327 S	11/2000	DiBartolo et al.	D524,660 S	7/2006	Floyd et al.
D440,159 S	4/2001	Guislain	D525,137 S	7/2006	Helps
6,264,073 B1	7/2001	Good et al.	D536,982 S	2/2007	Conway
D451,792 S	12/2001	Siebert et al.	D543,854 S	6/2007	Conway
D454,069 S	3/2002	Guislain	D545,197 S	6/2007	Adamson et al.
D454,504 S	3/2002	Siebert et al.	D559,111 S	1/2008	Reimann et al.
D454,779 S	3/2002	Siebert et al.	D565,958 S	4/2008	Considine et al.
D454,787 S	3/2002	Cummings	D568,748 S	5/2008	Harrison et al.
D455,352 S	4/2002	Siebert et al.	D570,222 S	6/2008	Flanagan-Kent et al.
D468,194 S	1/2003	Siebert et al.	2003/0213816 A1	11/2003	Harrity et al.
			2006/0237485 A1	10/2006	An

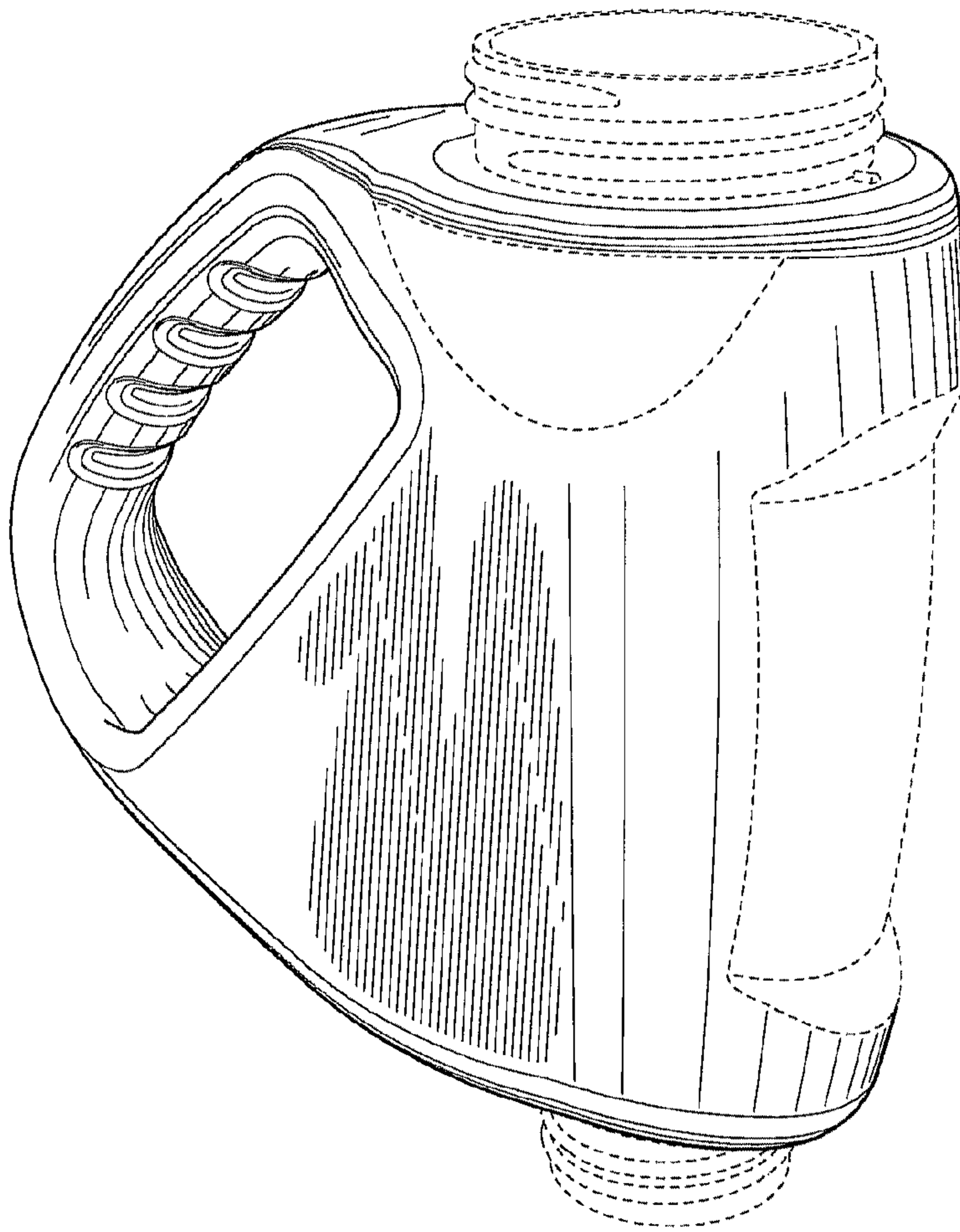


FIG. 1

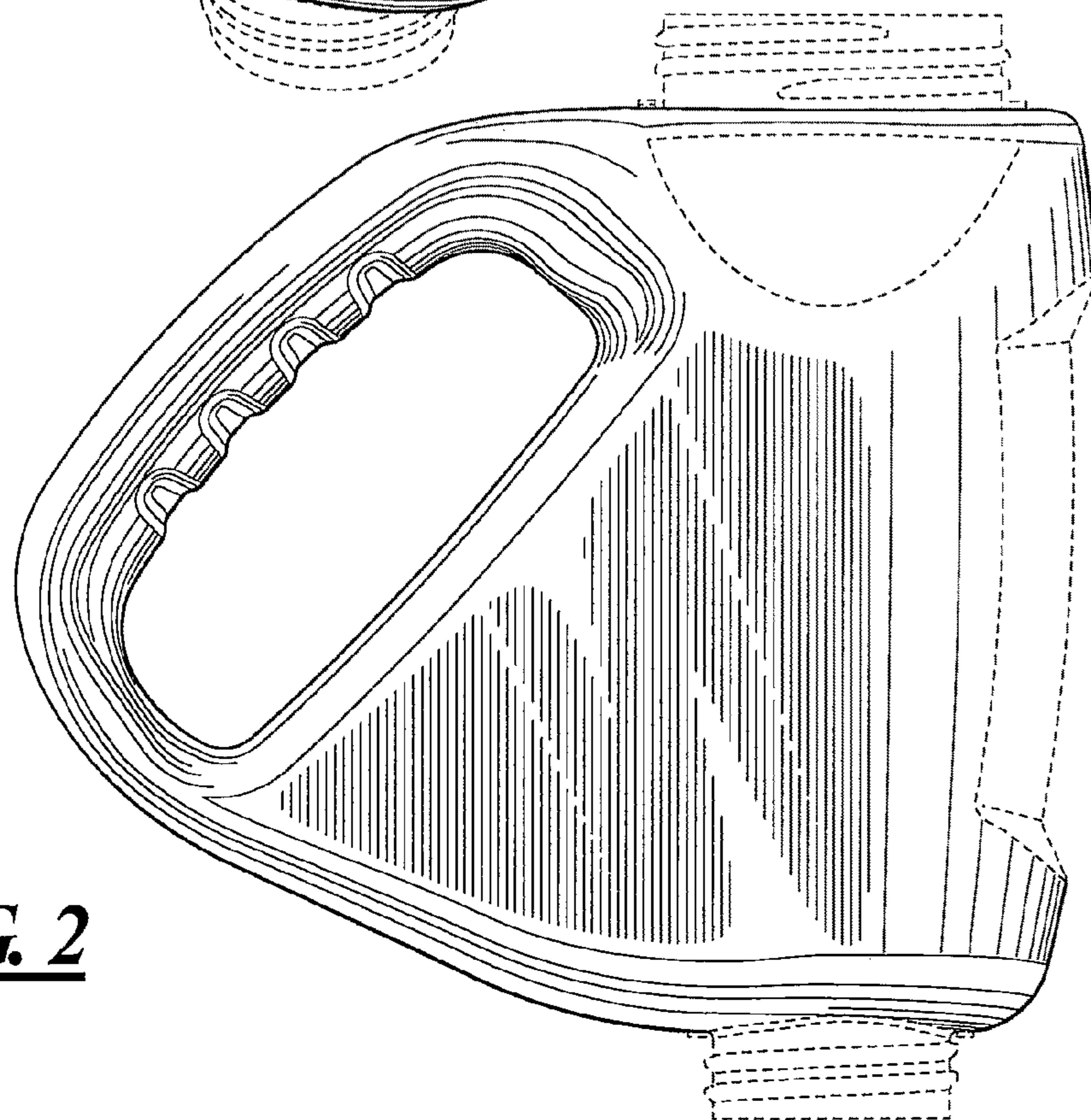


FIG. 2

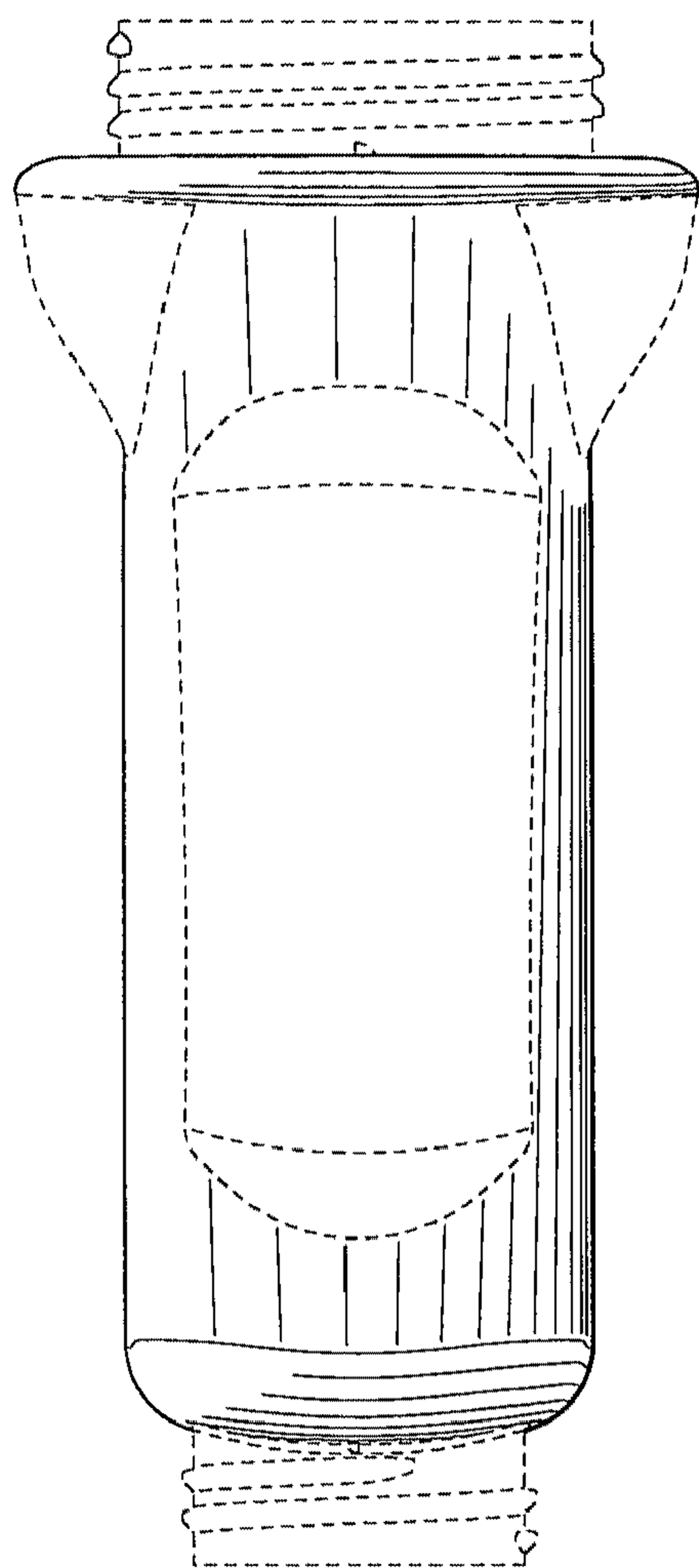


FIG. 3

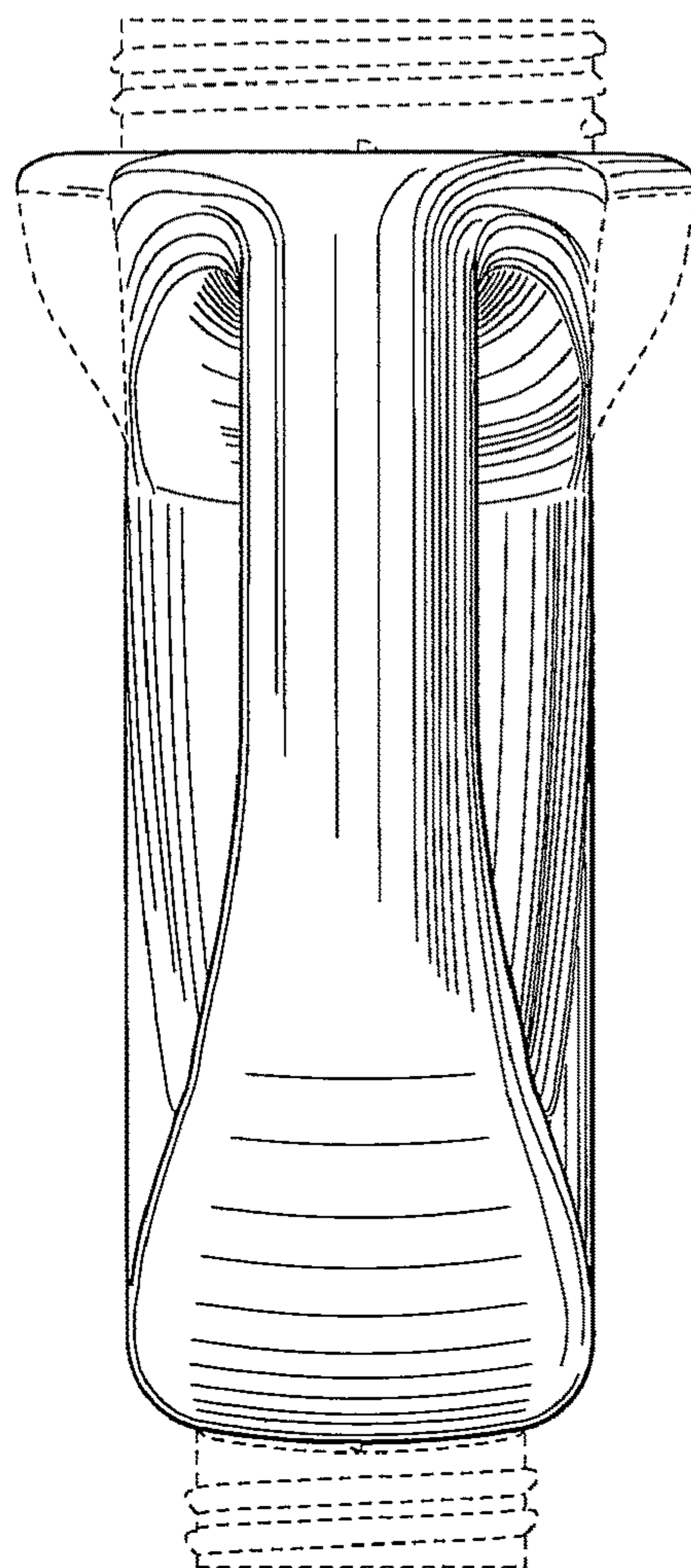


FIG. 4

FIG. 5

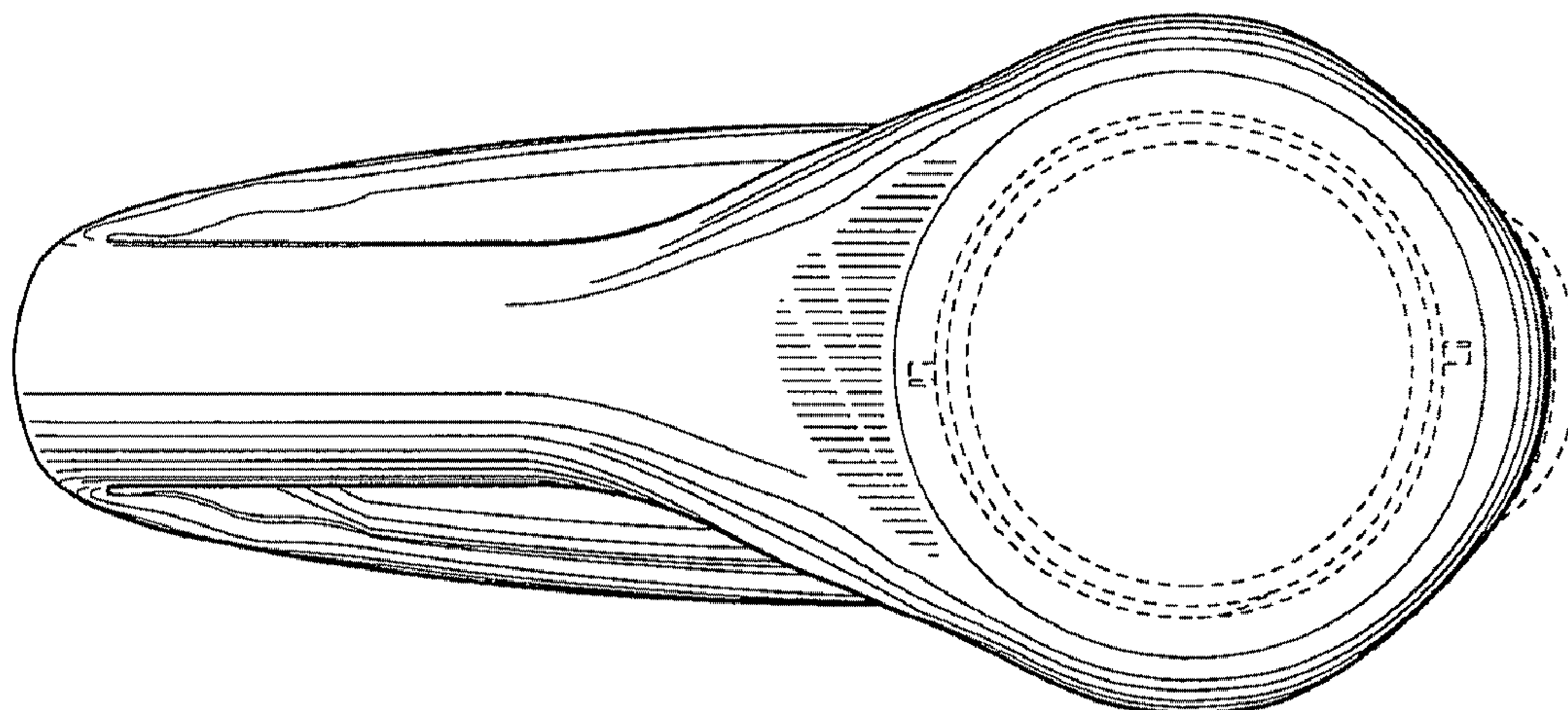


FIG. 6

