



US00D611814S

(12) **United States Design Patent**
Marotti et al.

(10) **Patent No.:** **US D611,814 S**

(45) **Date of Patent:** **** *Mar. 16, 2010**

(54) **BOTTLE CAP**

(76) Inventors: **Martin Jay Marotti**, 14545 Waverly Dr., Carmel, IN (US) 46033; **Philip Edwin Hague**, 615 E. Groveland Park, Chicago, IL (US) 60616; **Stacy Alycia Thomas**, 1900 W. Erie St., Apt. 2A, Chicago, IL (US) 60622

D512,911 S 12/2005 Floyd
D517,407 S 3/2006 Floyd
D530,607 S * 10/2006 Cornet et al. D9/445
D531,041 S * 10/2006 Sauer et al. D9/529
D535,879 S 1/2007 Crawford
D546,684 S 7/2007 Crawford
D548,076 S 8/2007 Matsumura
D553,491 S * 10/2007 Blasko et al. D9/428
D570,707 S * 6/2008 Blasko et al. D9/689

(*) Notice: This patent is subject to a terminal disclaimer.

* cited by examiner

Primary Examiner—Susan Bennett Hattan

(**) Term: **14 Years**

(57) **CLAIM**

(21) Appl. No.: **29/304,712**

The ornamental design for a bottle cap, as shown and described.

(22) Filed: **Mar. 6, 2008**

DESCRIPTION

(51) **LOC (9) Cl.** **09-07**
(52) **U.S. Cl.** **D9/454**
(58) **Field of Classification Search** D9/499,
D9/445, 444, 439, 435, 434, 428, 600, 689,
D9/529; D8/DIG. 2, 402, 312, 310, 353;
D7/398, 387, 395; D24/196; D23/250; D22/116;
220/802, 801, 713, 712, 254.7, 521; D1/128,
D1/199; 16/421; D28/87
See application file for complete search history.

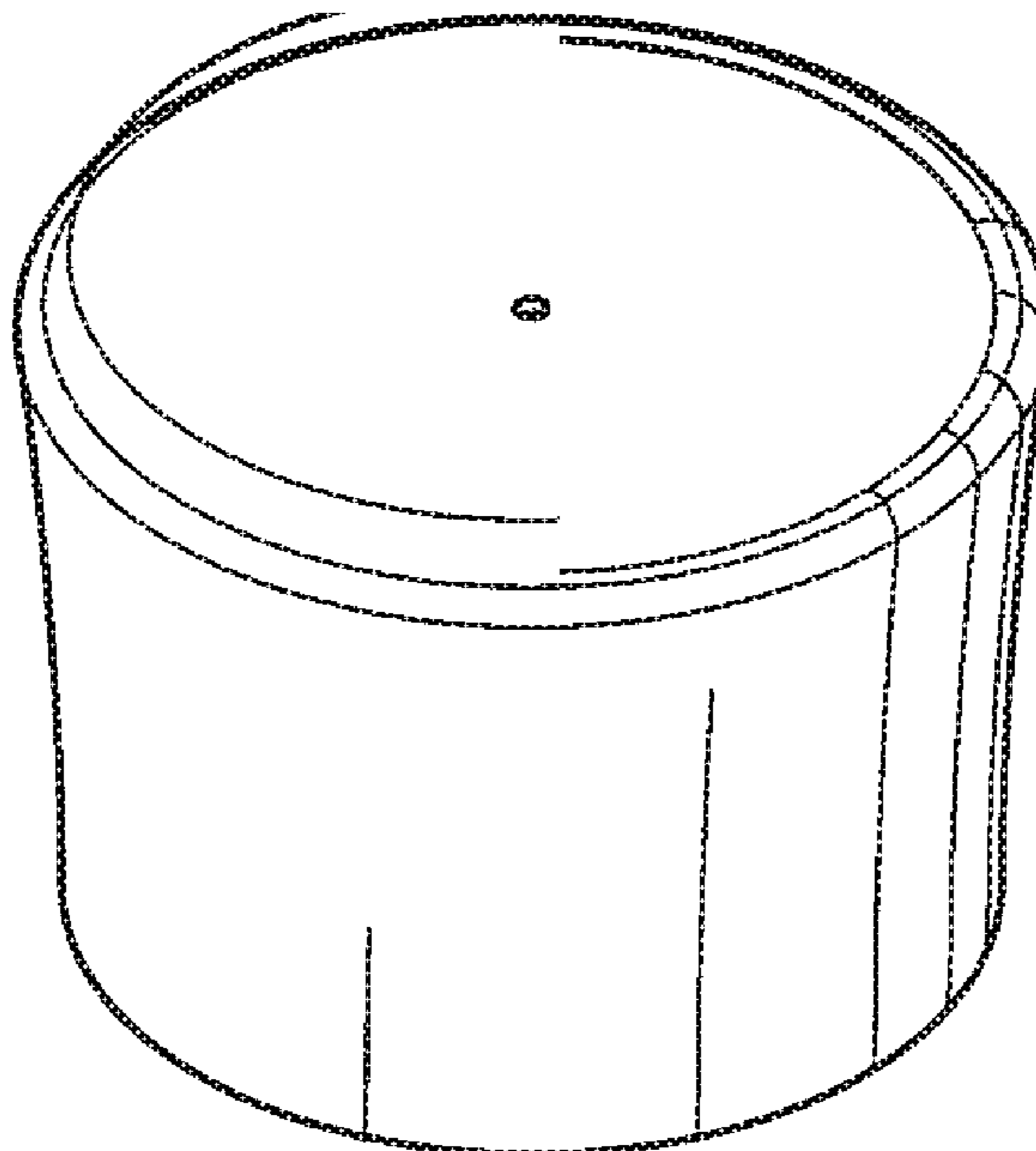
FIG. 1 is a front perspective view of a bottle cap incorporating our new design;
FIG. 2 is a front view thereof;
FIG. 3 is a top view thereof; and
FIG. 4 is a bottom view thereof;
FIG. 5 is front perspective view of a bottle capped with a bottle cap incorporating our new design.
FIG. 6 is a front elevational view thereof, the rear elevational view being identical;
FIG. 7 is a side elevational view thereof, the opposite side elevational view being identical; and,
FIG. 8 is a top plan view thereof.
The broken lines shown in the drawings depict environmental subject matter and form no part of the claimed design.

(56) **References Cited**

U.S. PATENT DOCUMENTS

D181,714 S * 12/1957 Du D9/529
3,085,709 A * 4/1963 Klein 220/521
D207,925 S * 6/1967 Koenigsburg D9/529
D376,317 S 12/1996 Weiss
D448,994 S 10/2001 Siebert
D455,654 S * 4/2002 Gobe D9/445
D487,016 S * 2/2004 DeBiasse et al. D9/445

1 Claim, 4 Drawing Sheets



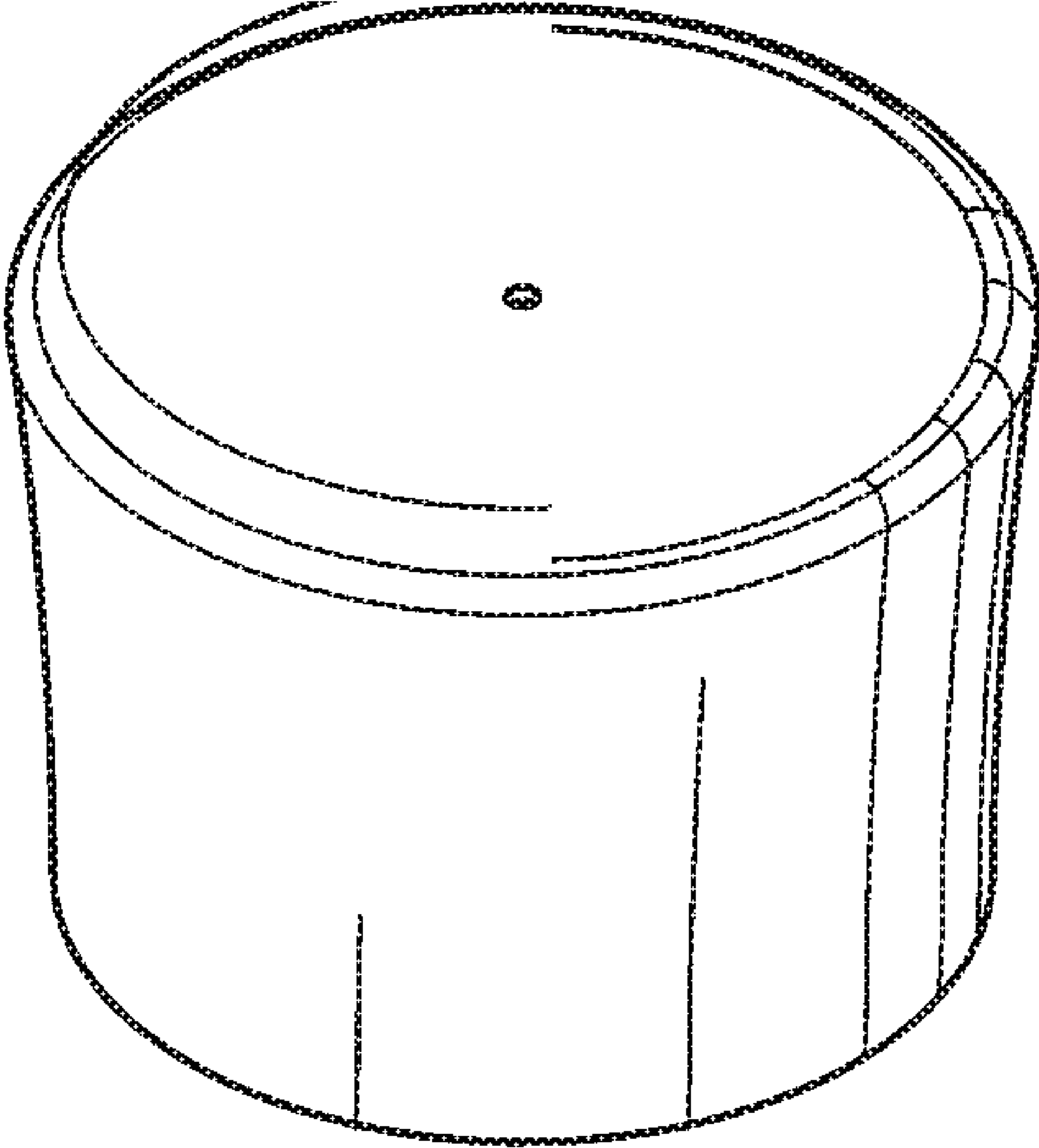


Fig. 1

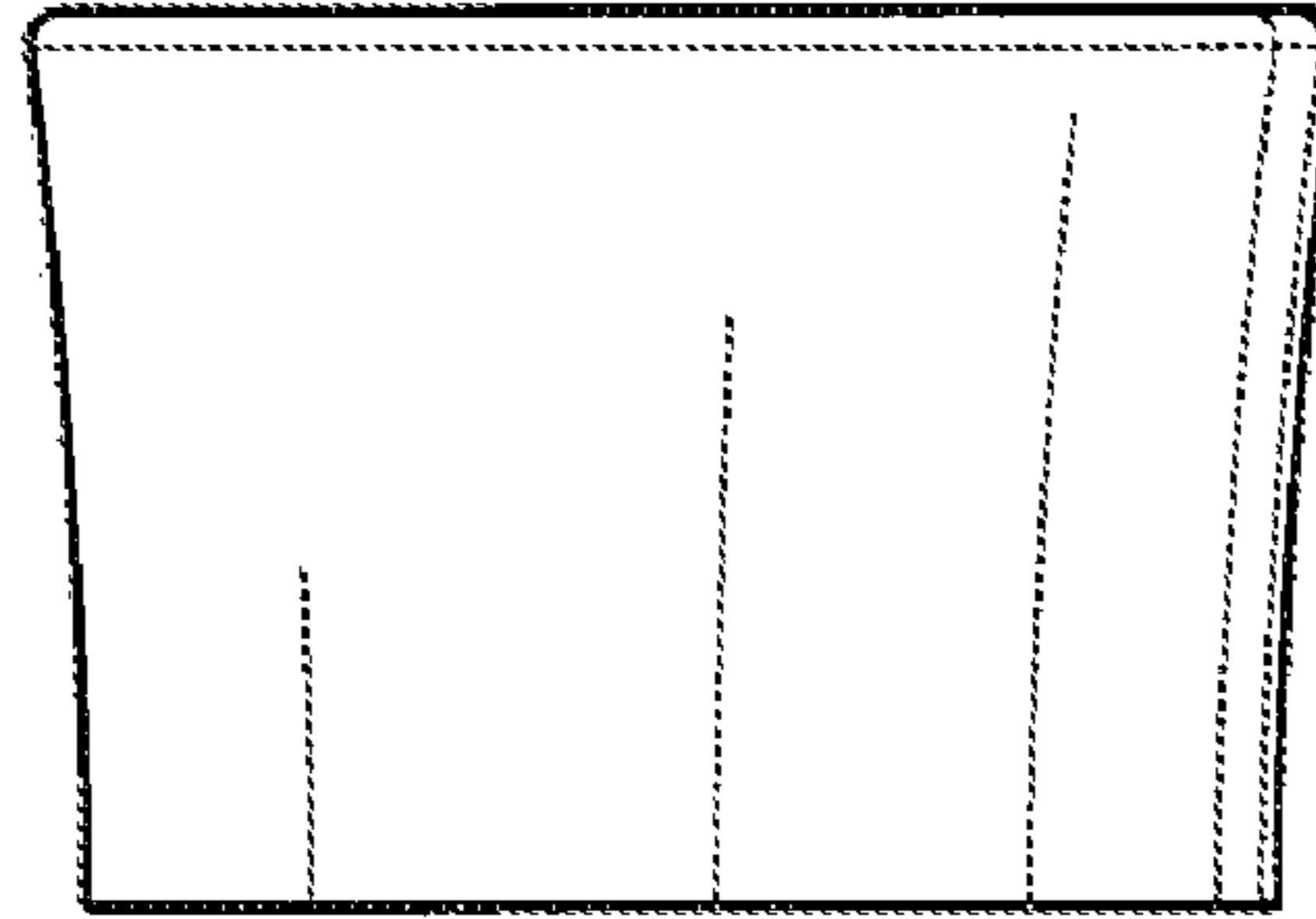


Fig. 2

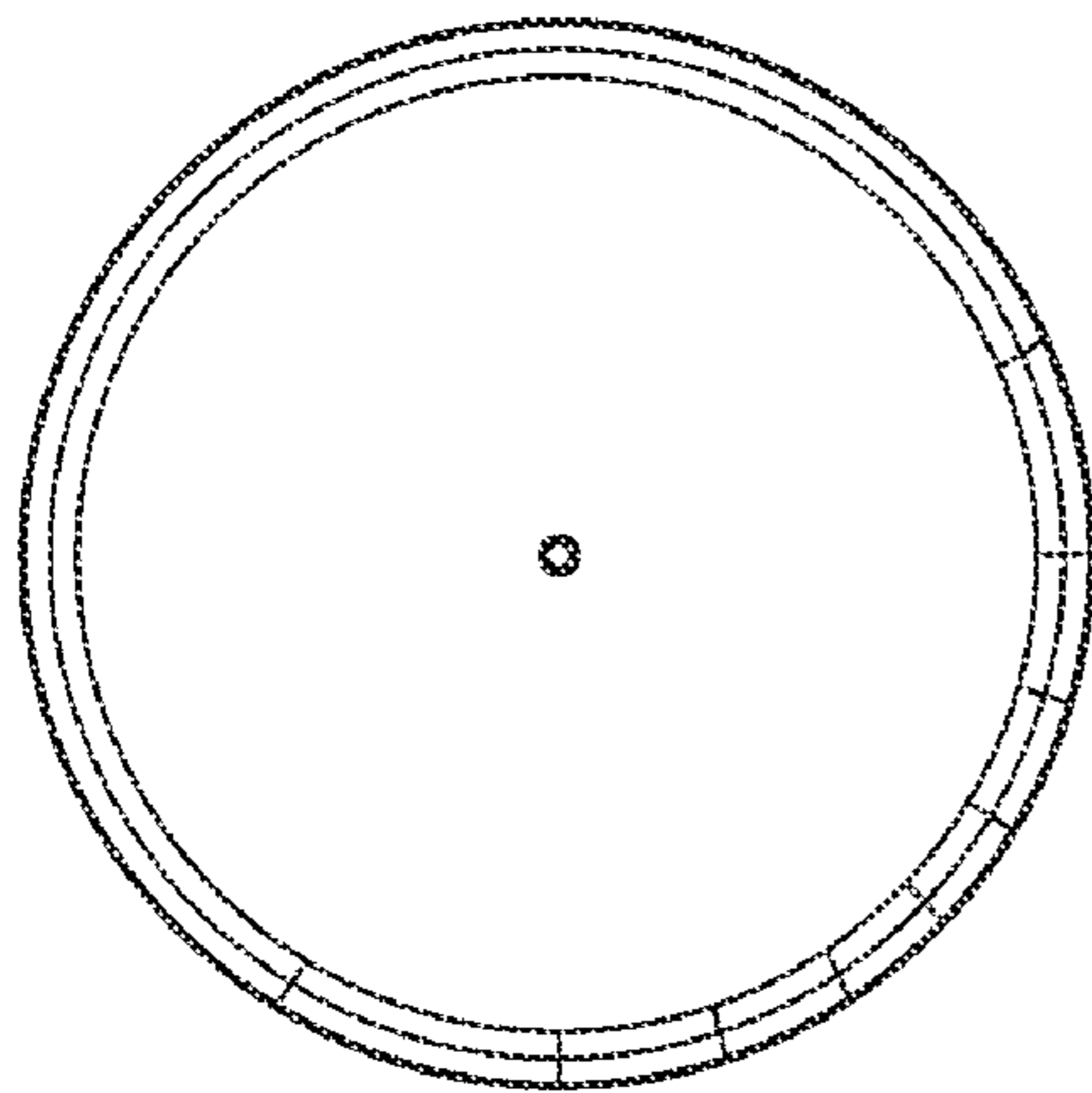


Fig. 3

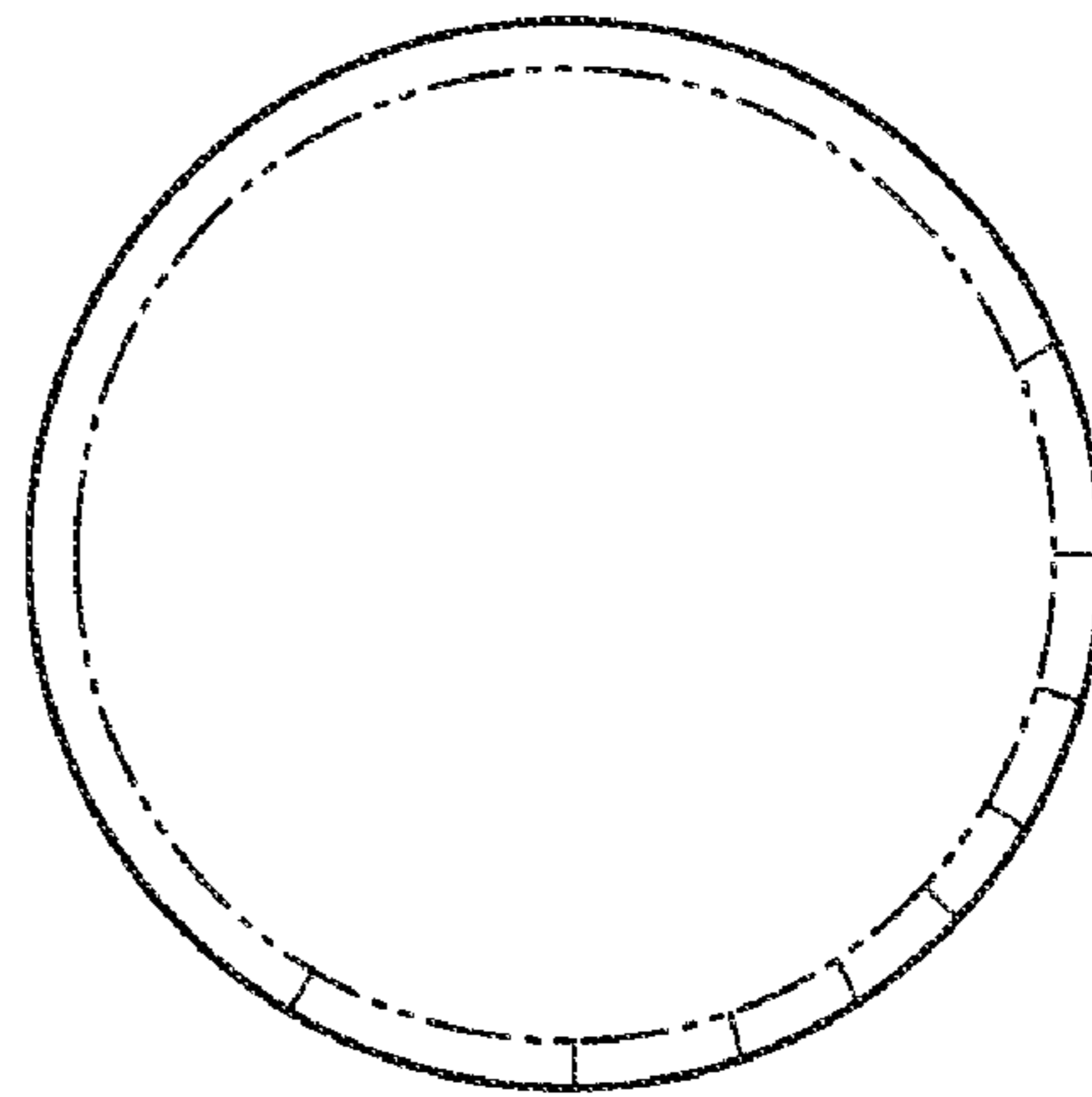


Fig. 4

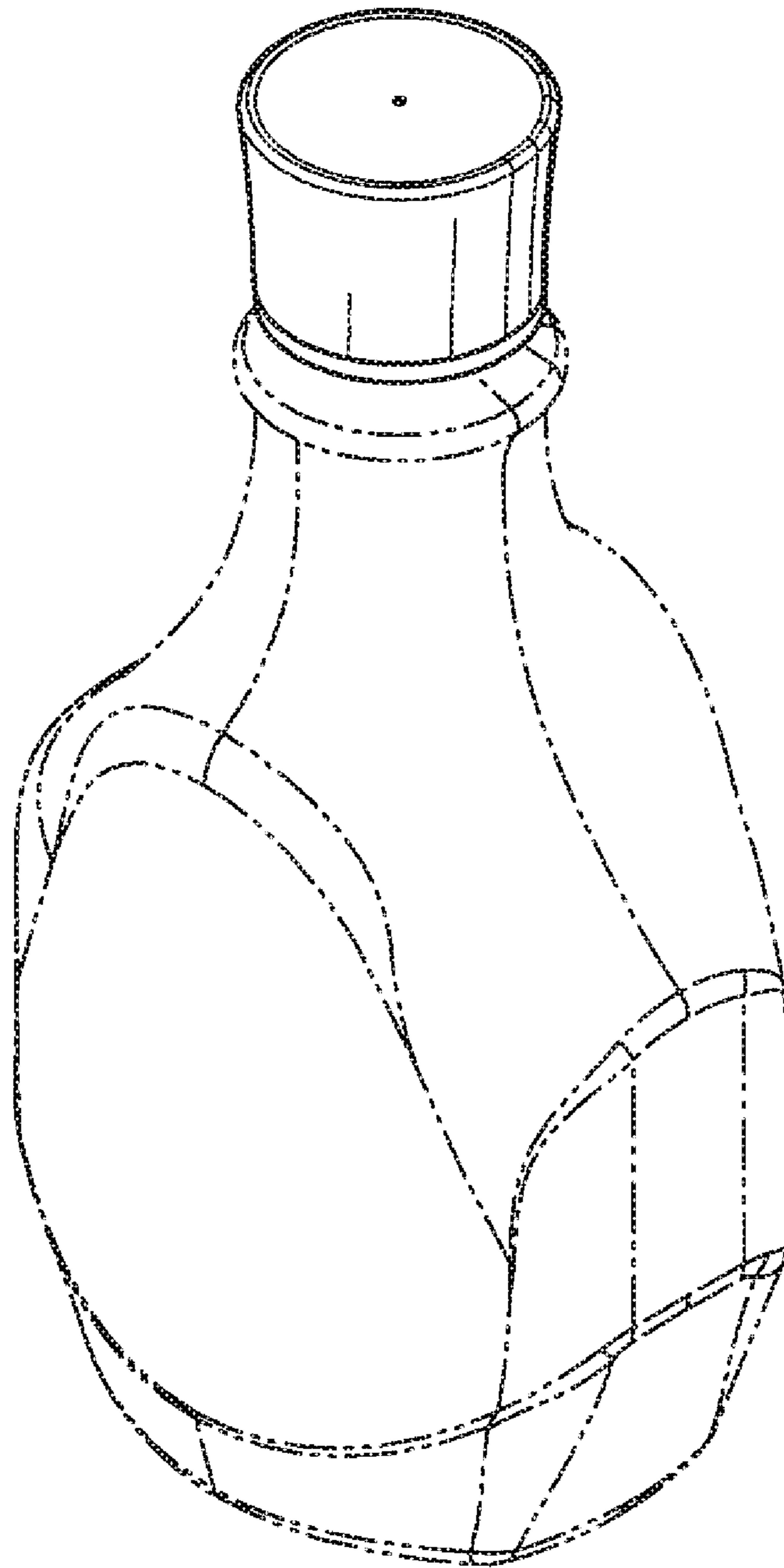


Fig. 5

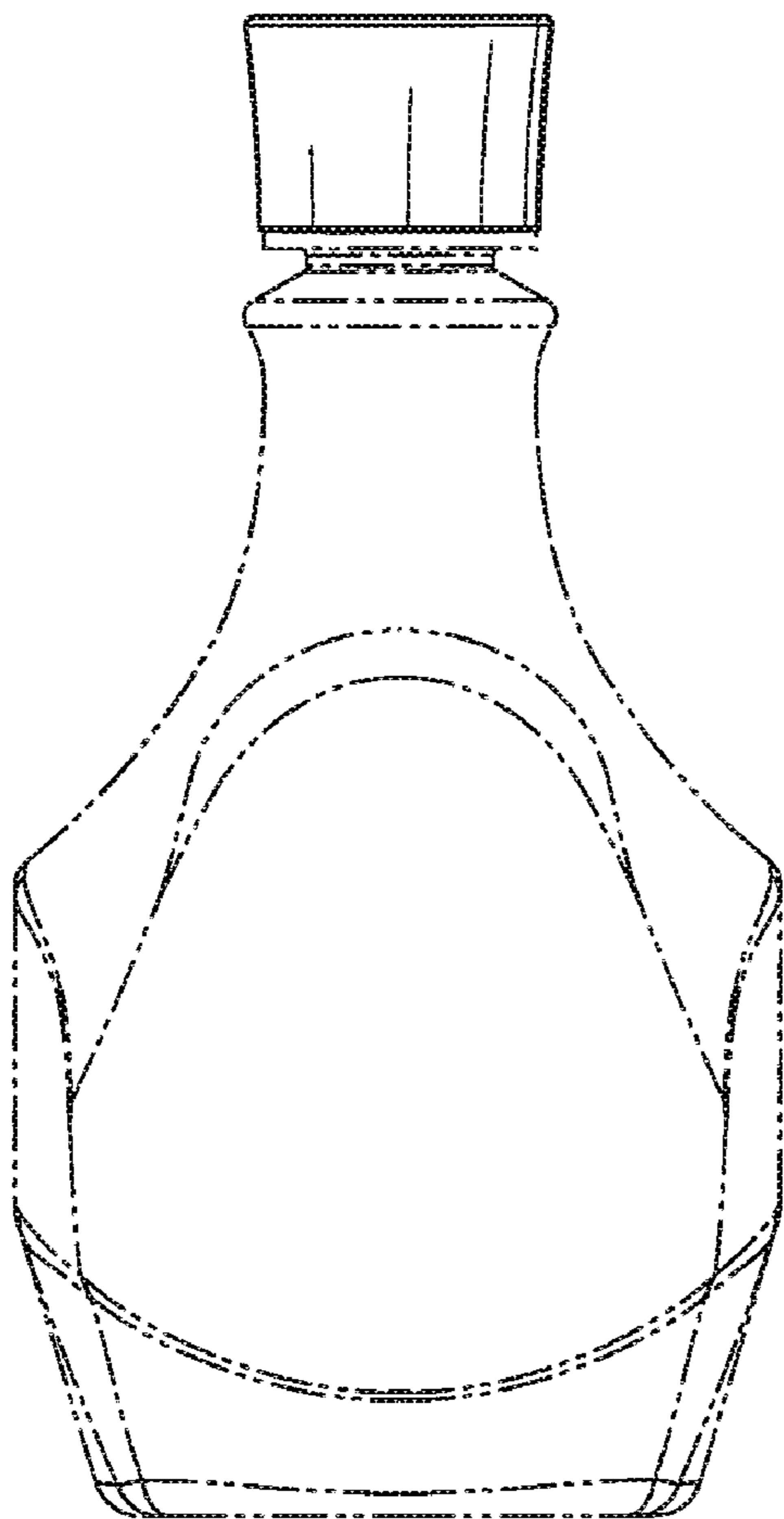


Fig. 6

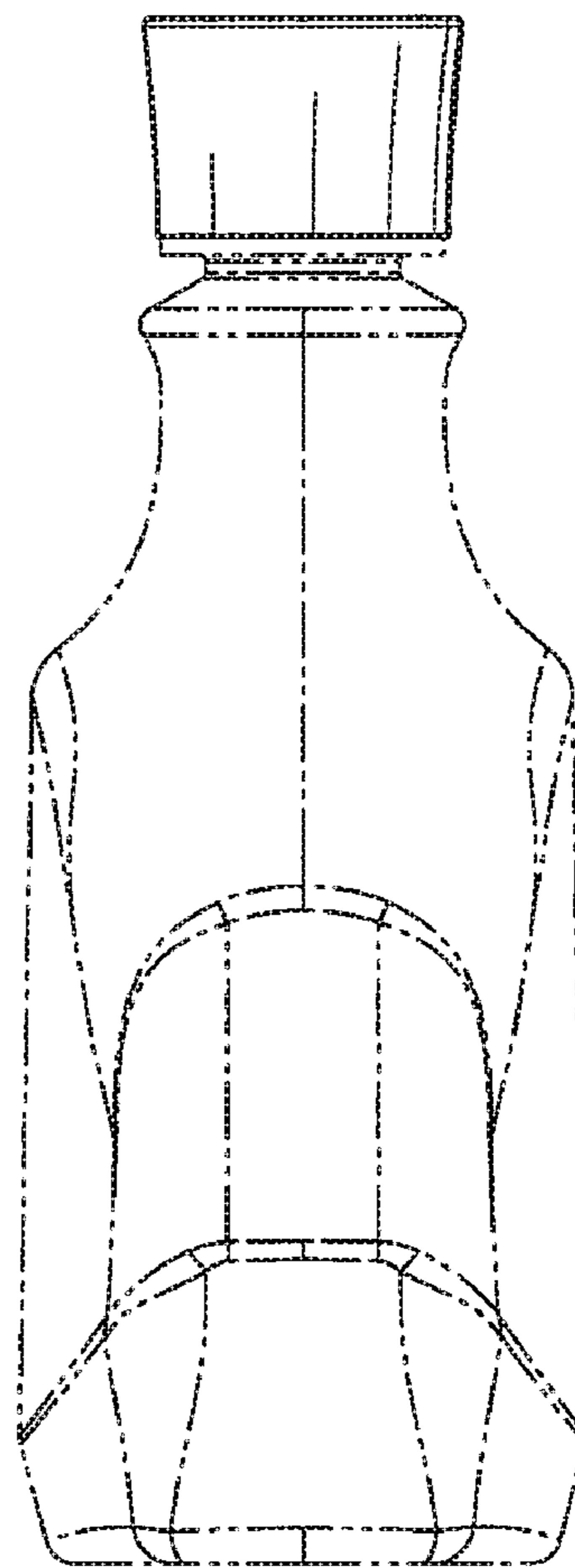


Fig. 7

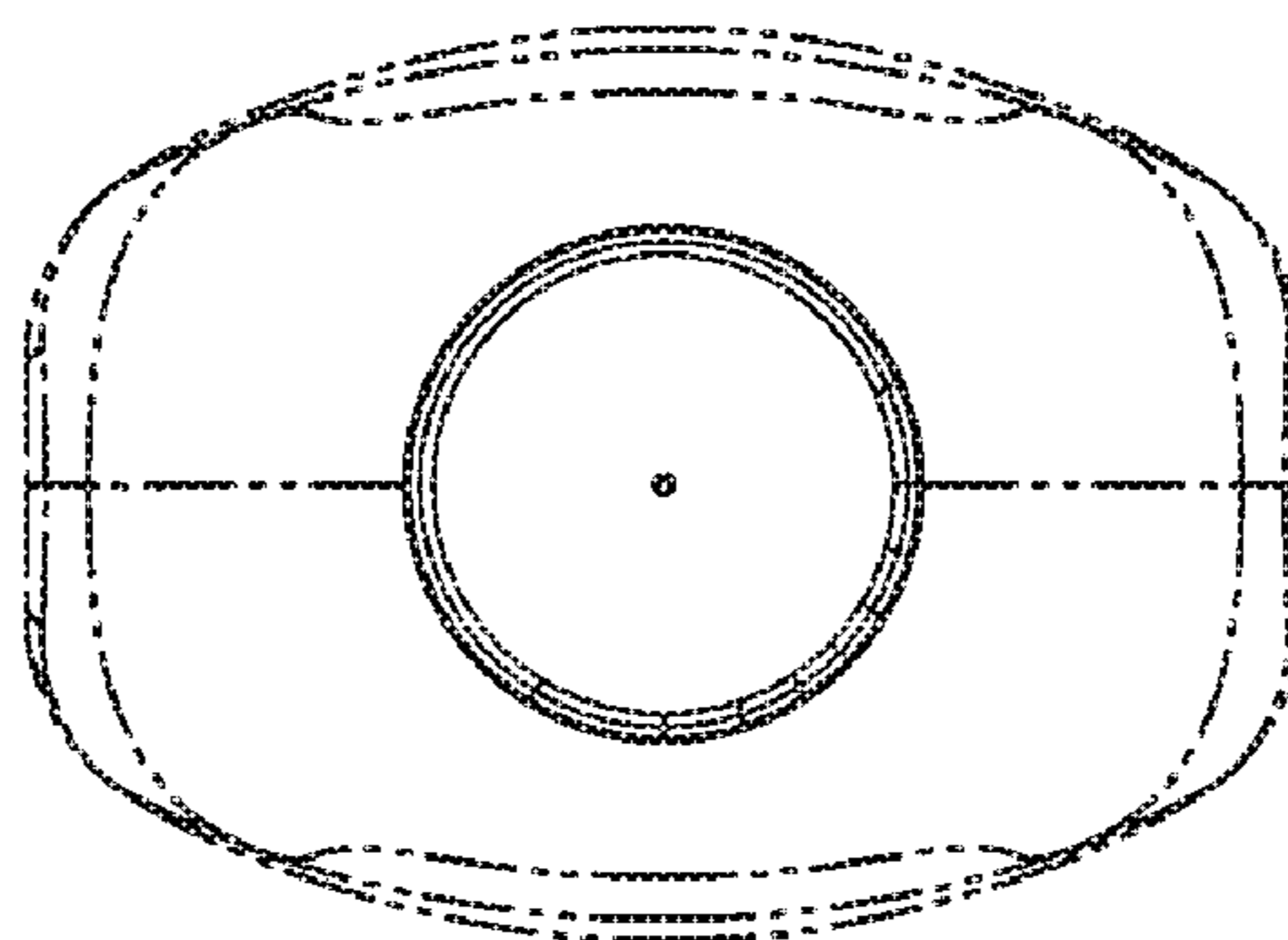


Fig. 8

UNITED STATES PATENT AND TRADEMARK OFFICE
CERTIFICATE OF CORRECTION

PATENT NO. : D611,814 S
APPLICATION NO. : 29/304712
DATED : March 16, 2010
INVENTOR(S) : Martin Jay Marotti et al.

Page 1 of 1

It is certified that error appears in the above-identified patent and that said Letters Patent is hereby corrected as shown below:

Title page item [73]

Please delete "Assignee: None" and insert -- Assignee: The Procter & Gamble Company --.

Title page item [74]

Please insert -- Attorney, Agent or Firm: Emelyn L. Hiland --.

Signed and Sealed this
Twenty-eighth Day of December, 2010

A handwritten signature in black ink that reads "David J. Kappos". The signature is written in a cursive, slightly slanted style.

David J. Kappos
Director of the United States Patent and Trademark Office