



US00D611812S

(12) **United States Design Patent**
Tardif

(10) **Patent No.:** **US D611,812 S**
(45) **Date of Patent:** **** Mar. 16, 2010**

(54) **SEAL OF A CAP FOR A BOTTLE OR A CONTAINER**

(75) Inventor: **Pierre Tardif**, Longueuil (CA)

(73) Assignee: **Tradeau Corporation 1889 Inc.**, Quebec (CA)

(**) Term: **14 Years**

(21) Appl. No.: **29/341,904**

(22) Filed: **Aug. 14, 2009**

(51) **LOC (9) Cl.** **09-07**

(52) **U.S. Cl.** **D9/449**

(58) **Field of Classification Search** D9/454,
D9/450, 449, 447, 446, 443, 438, 436, 435,
D9/434; D7/510, 396.2, 391; 222/565, 556,
222/109, 498, 153.01–153.14; 221/63; 220/847,
220/838, 375, 367.1, 258.2, 257.1, 254.1–254.4;
215/306, 256, 249, 243, 237, 235, 230; 16/257
See application file for complete search history.

(56) **References Cited**

U.S. PATENT DOCUMENTS

3,221,955	A *	12/1965	Banaszak et al.	D9/447
3,463,366	A *	8/1969	Spencer	D9/447
3,613,966	A *	10/1971	Summers	222/529
3,690,522	A *	9/1972	Chlystun et al.	222/529
3,853,249	A *	12/1974	Weir et al.	222/570
3,856,187	A *	12/1974	Chlystun	222/529
3,986,646	A *	10/1976	Strub	222/529
4,019,663	A *	4/1977	Krautkramer	222/529
D319,981	S *	9/1991	Sledge	D9/447
D471,808	S *	3/2003	de Castro Couto	D9/435
D562,133	S *	2/2008	Liebe et al.	D9/449

* cited by examiner

Primary Examiner—Susan Bennett Hattan
(74) *Attorney, Agent, or Firm*—Wilmer Cutler Pickering Hale and Dorr LLP

(57) **CLAIM**

I claim the ornamental design for a seal of a cap for a bottle or a container, as shown and described.

DESCRIPTION

FIG. 1 is a perspective view of a seal of a cap for a bottle or a container according to a first embodiment of the present design, the seal being shown in a closed position;

FIG. 2 is a top view of the seal of FIG. 1;

FIG. 3 is an elevation view of the seal of FIG. 1;

FIG. 4 is a perspective view of the seal according to the first embodiment, shown in an open position;

FIG. 5 is a top view of the seal of FIG. 4;

FIG. 6 is an elevation view of the seal of FIG. 4;

FIG. 7 is a perspective view of a seal of a cap for a bottle or a container according to a second embodiment of the present design, the seal being shown in a closed position;

FIG. 8 is a top view of the seal of FIG. 7;

FIG. 9 is an elevation view of the seal of FIG. 7;

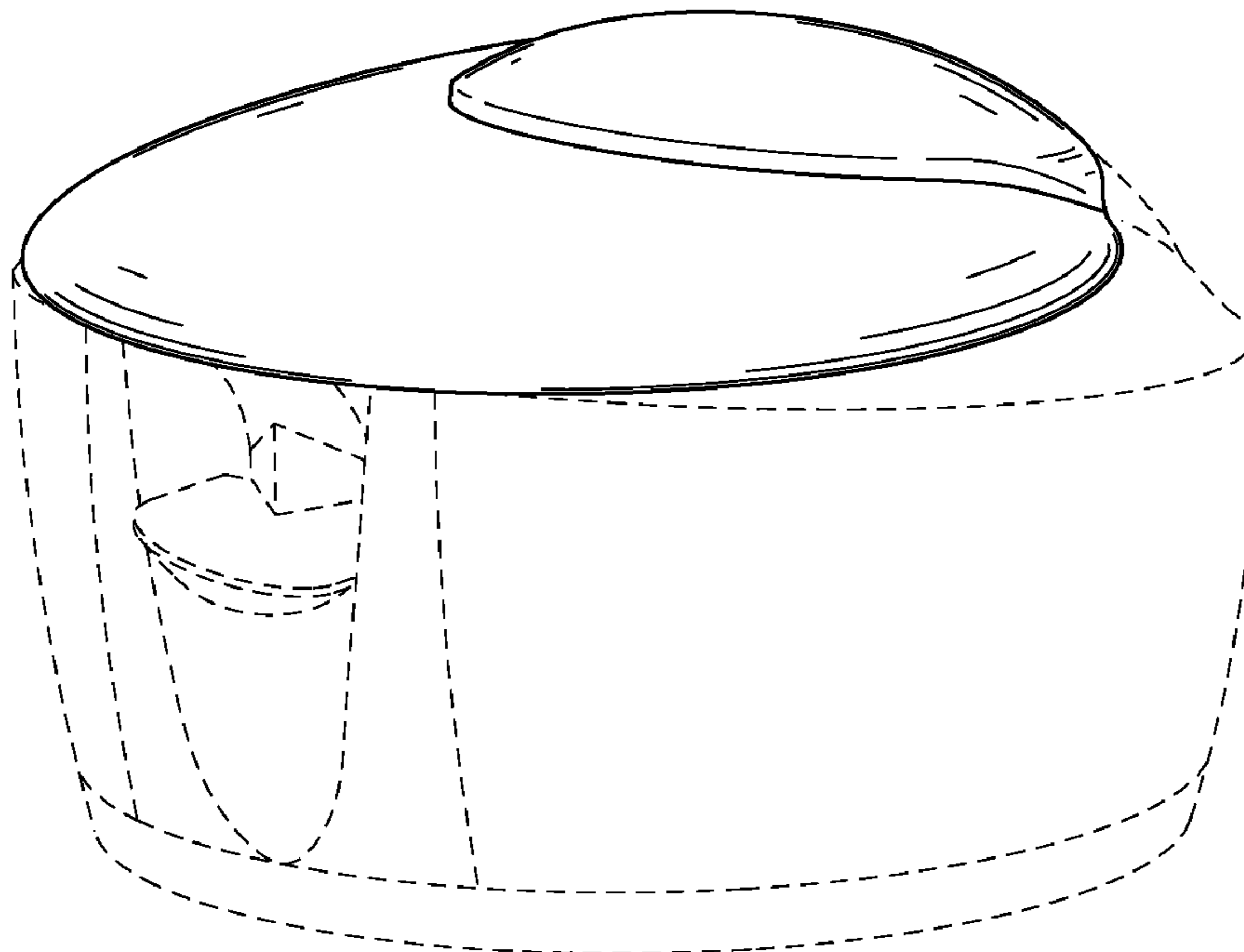
FIG. 10 is a perspective view of the seal according to the second embodiment, shown in an open position;

FIG. 11 is a top view of the seal of FIG. 10; and,

FIG. 12 is an elevation view of the seal of FIG. 10.

The broken lines in the drawings depict environmental subject matter only and form no part of the claimed design.

1 Claim, 8 Drawing Sheets



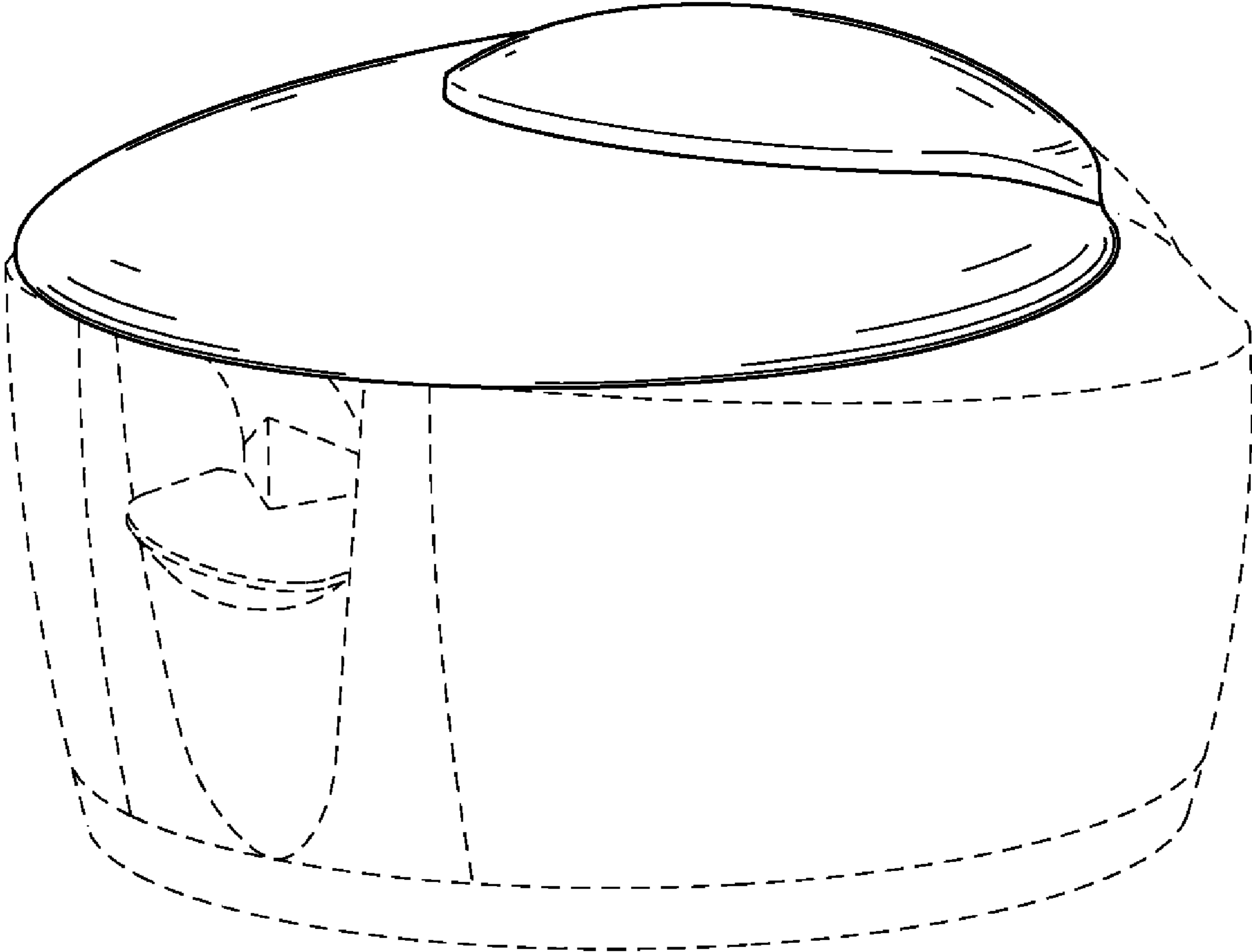


FIG. 1

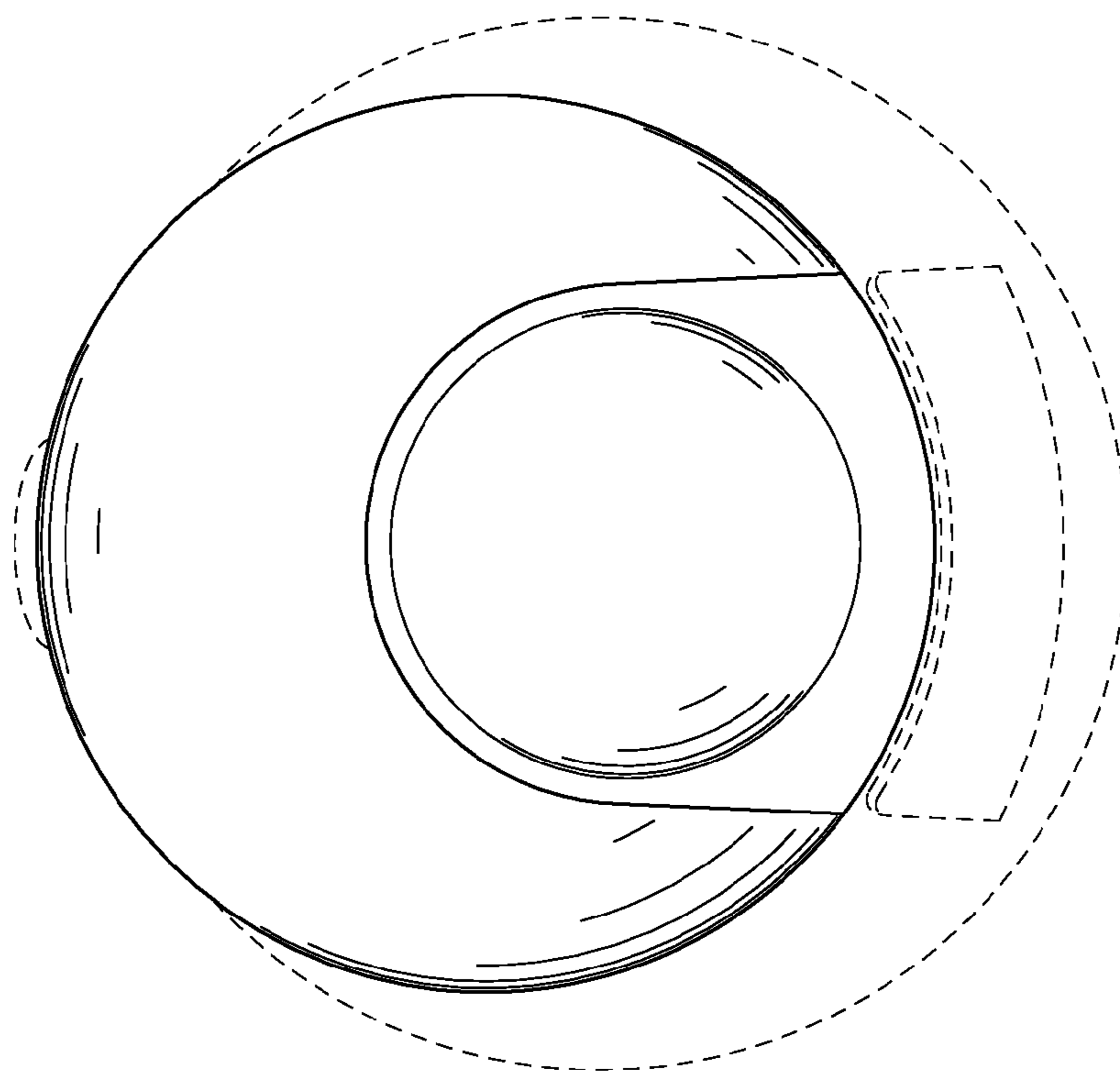


FIG. 2

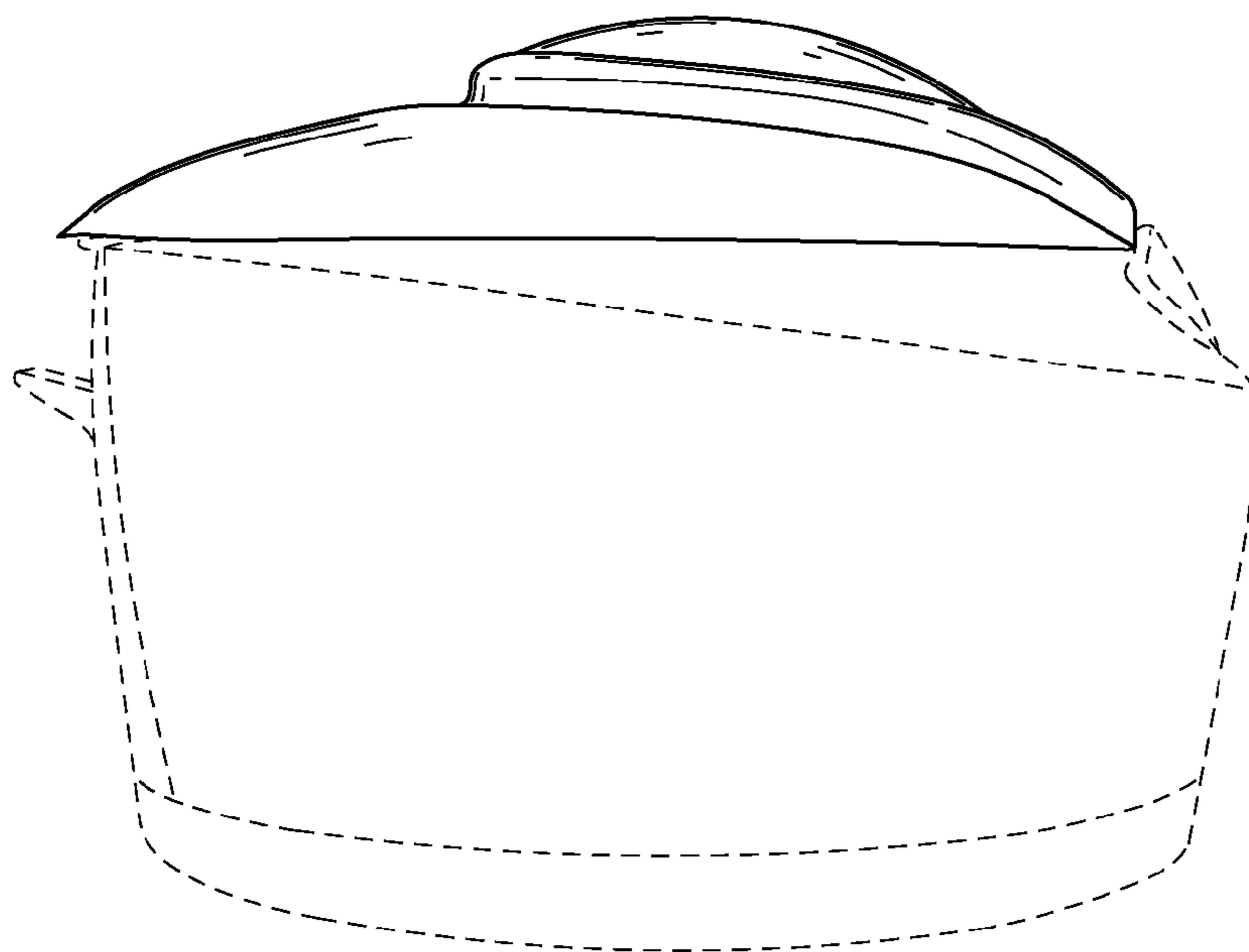


FIG. 3

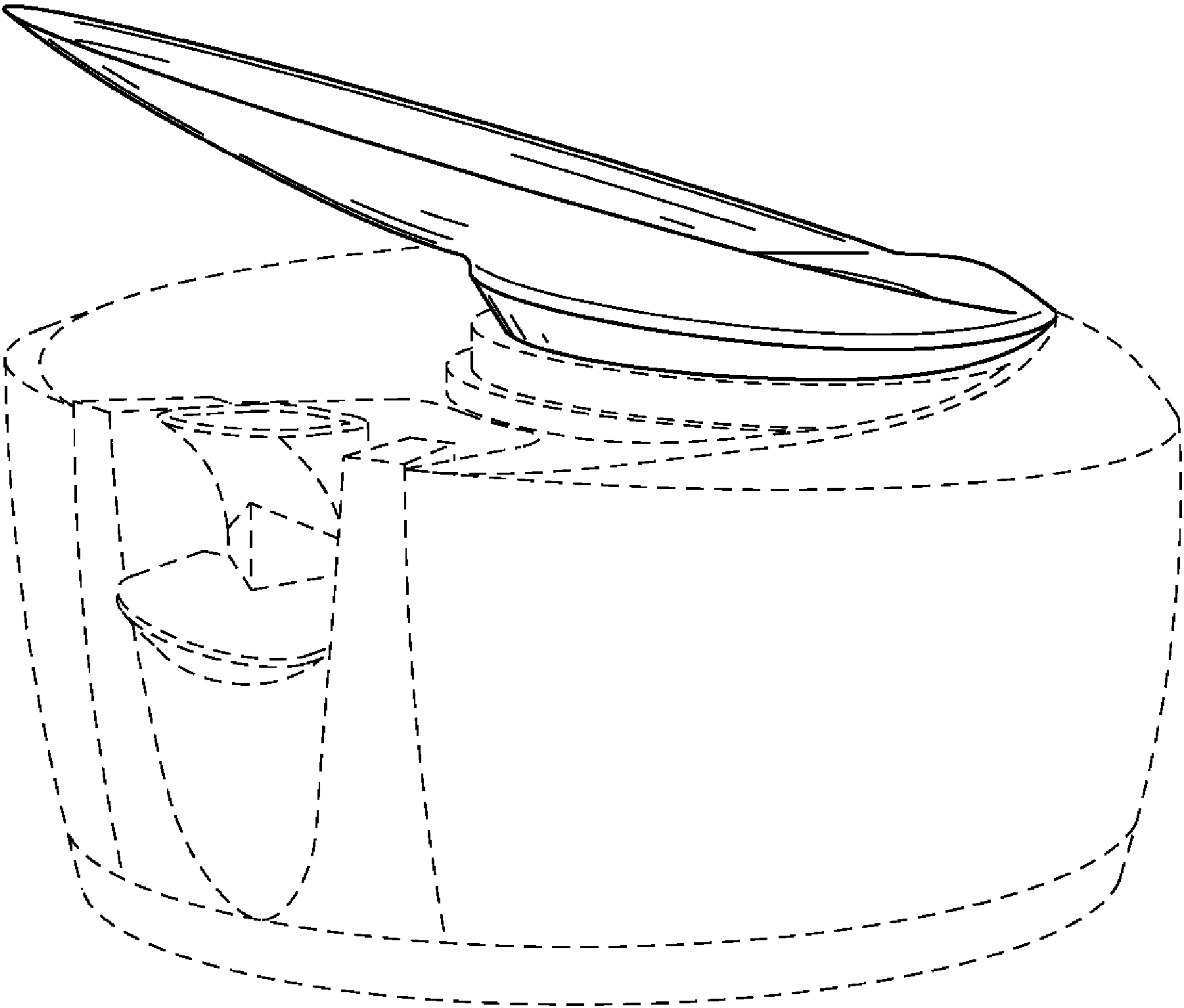


FIG. 4

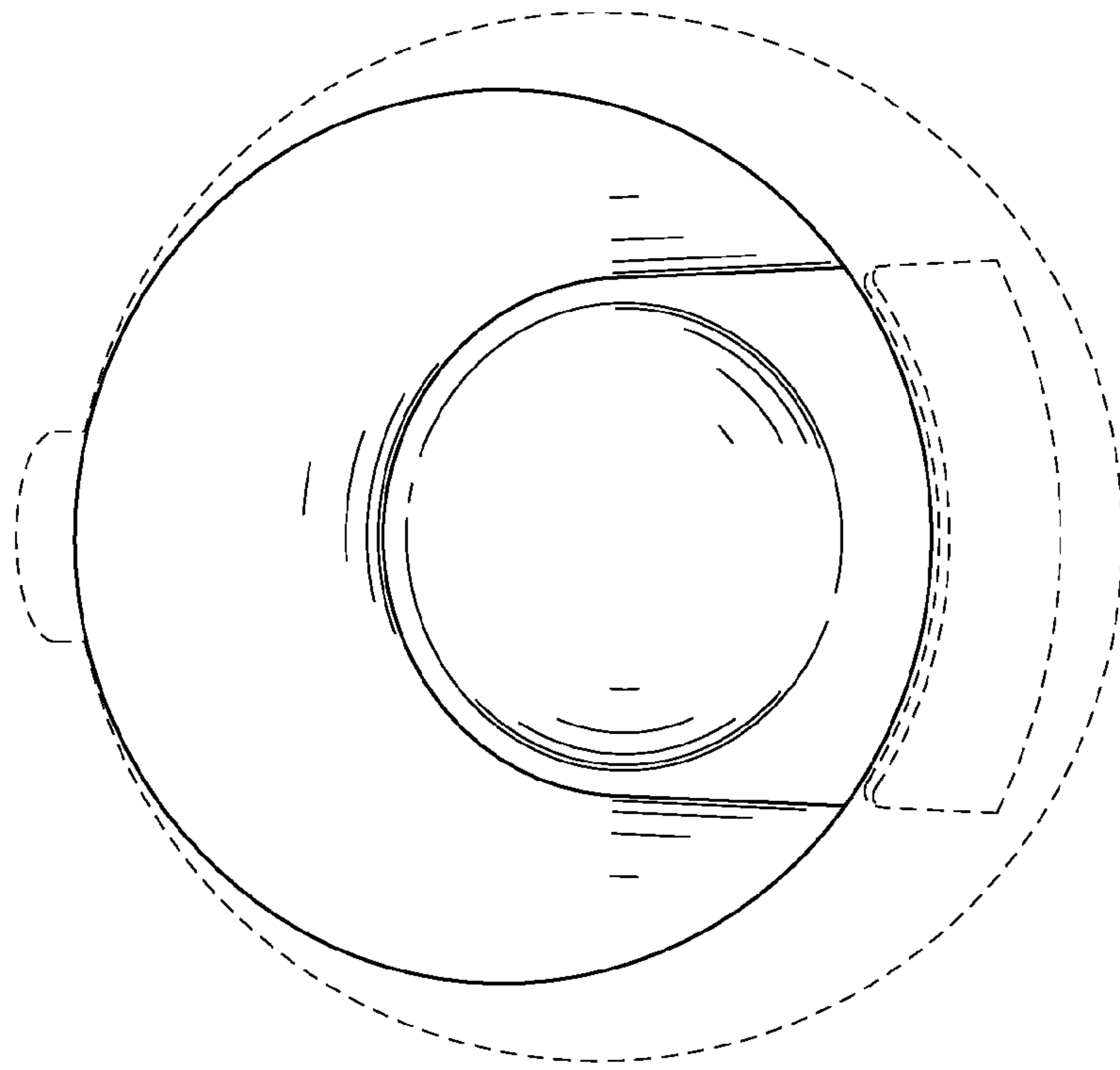


FIG. 5

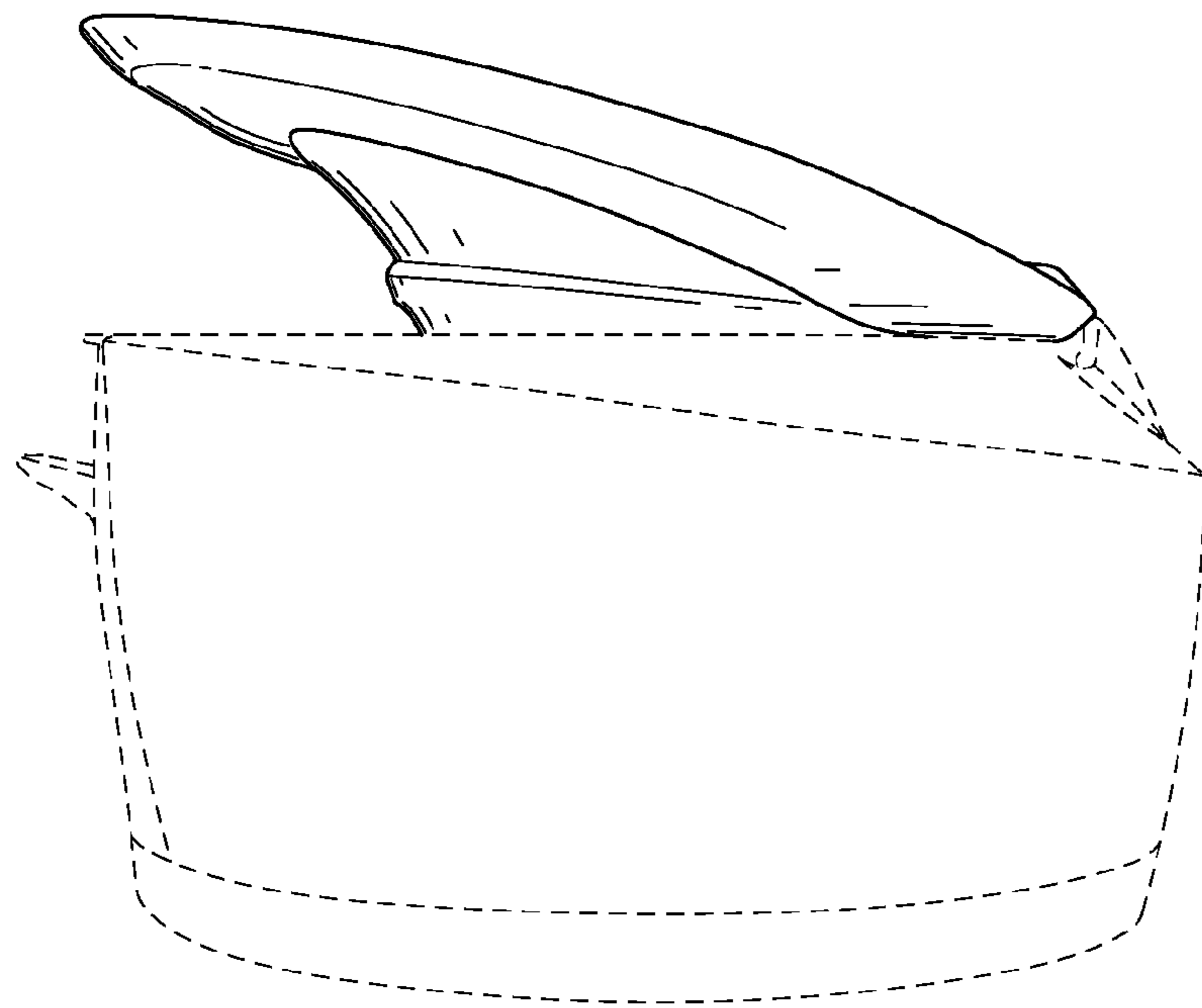


FIG. 6

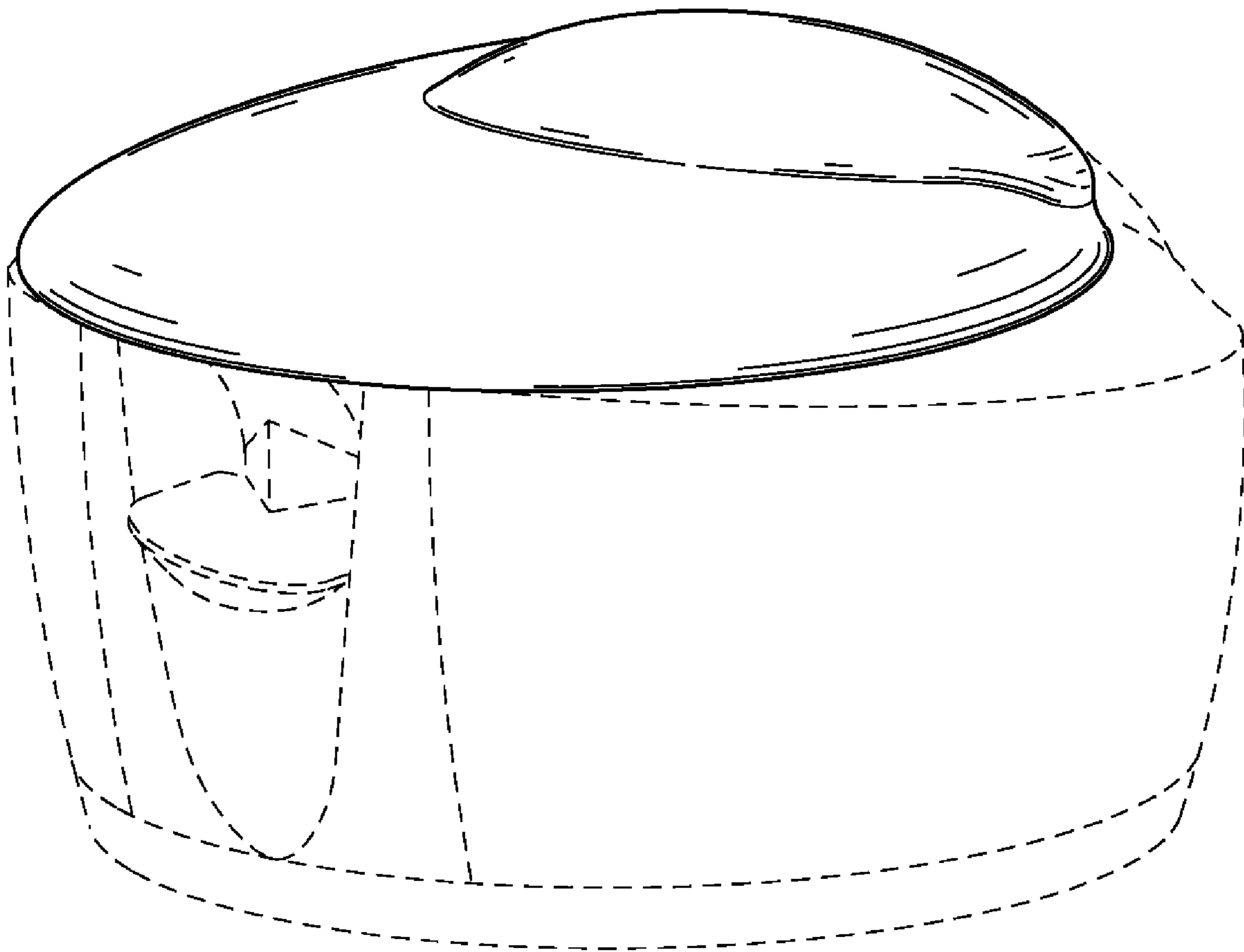


FIG. 7

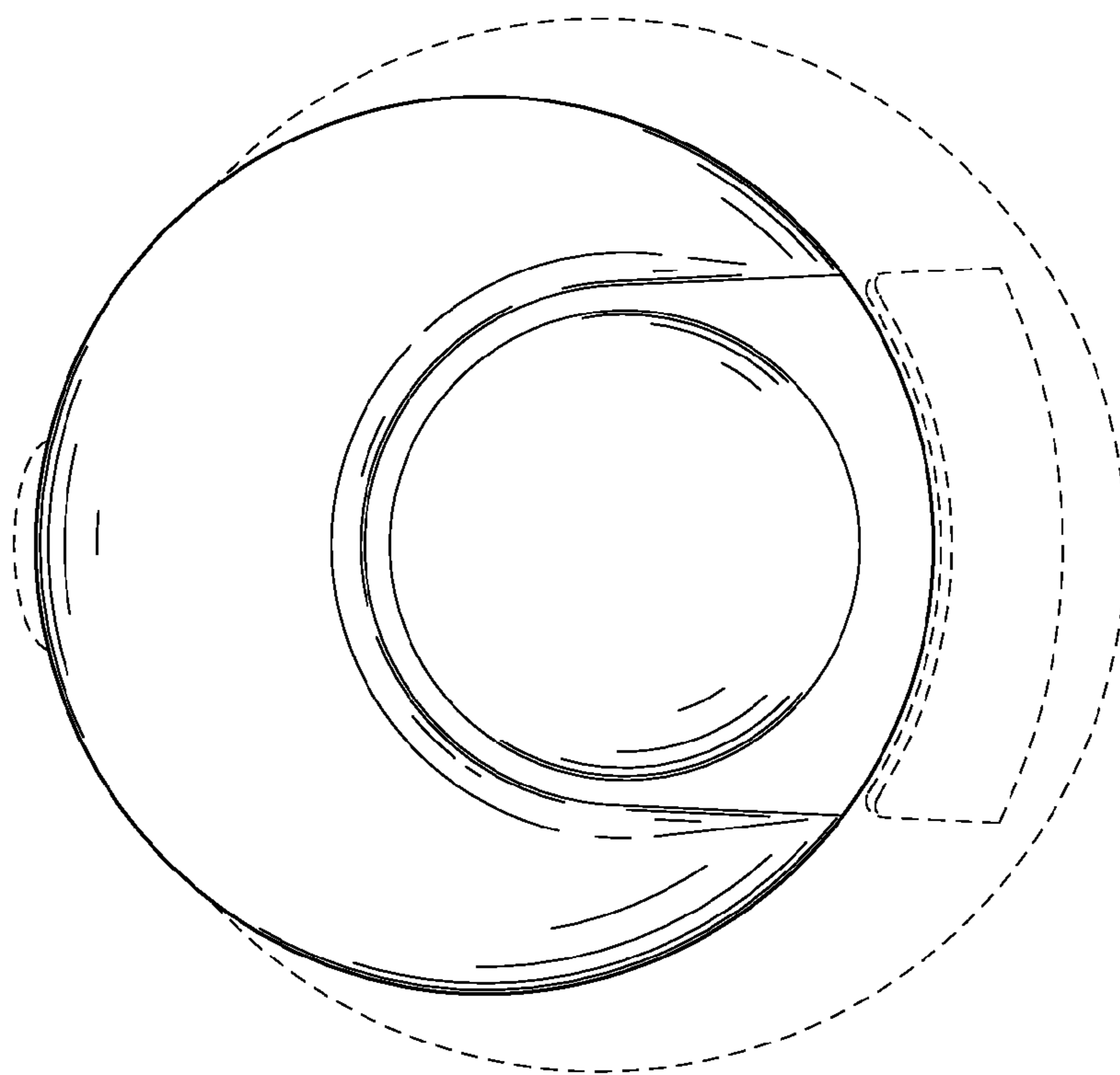


FIG. 8

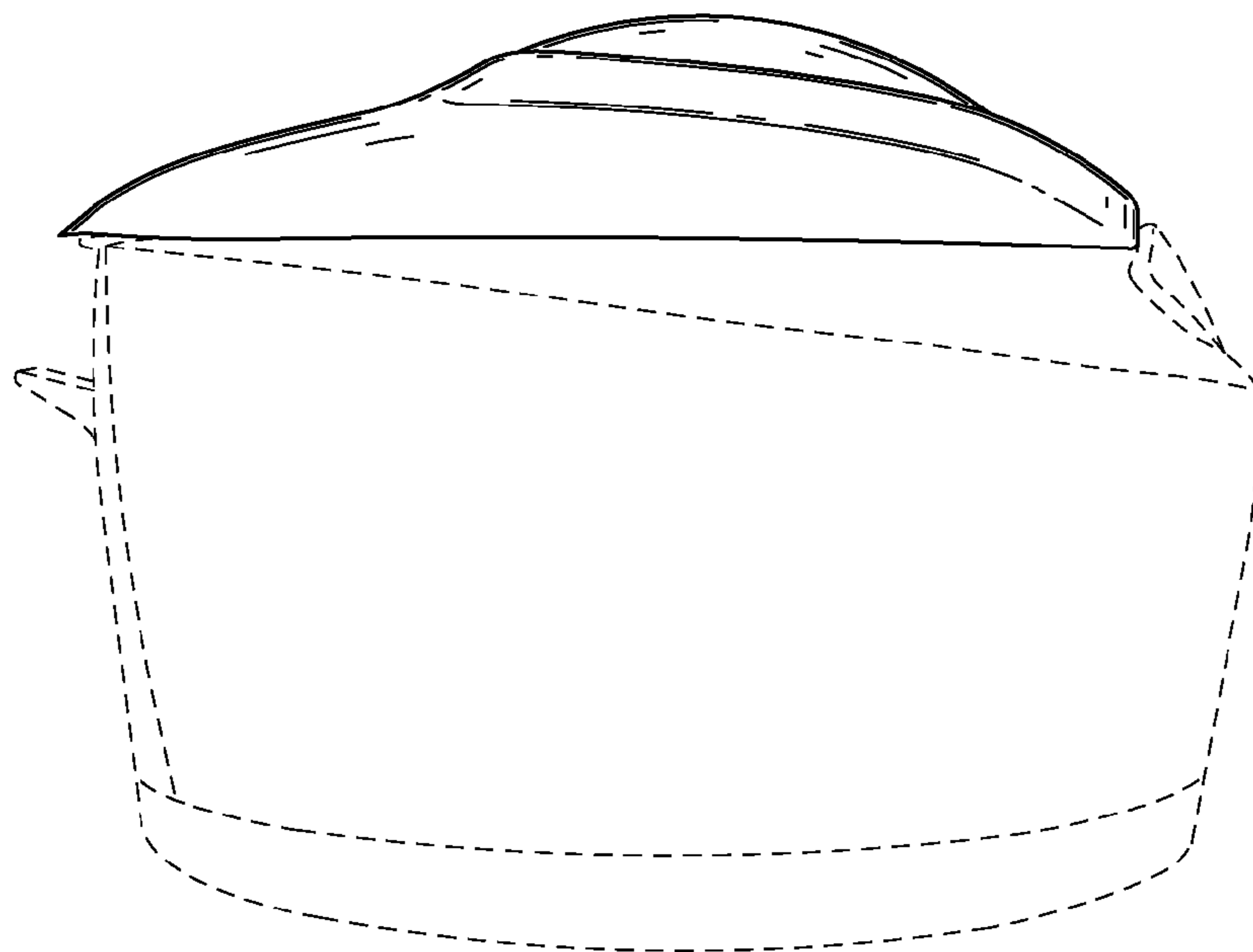


FIG. 9

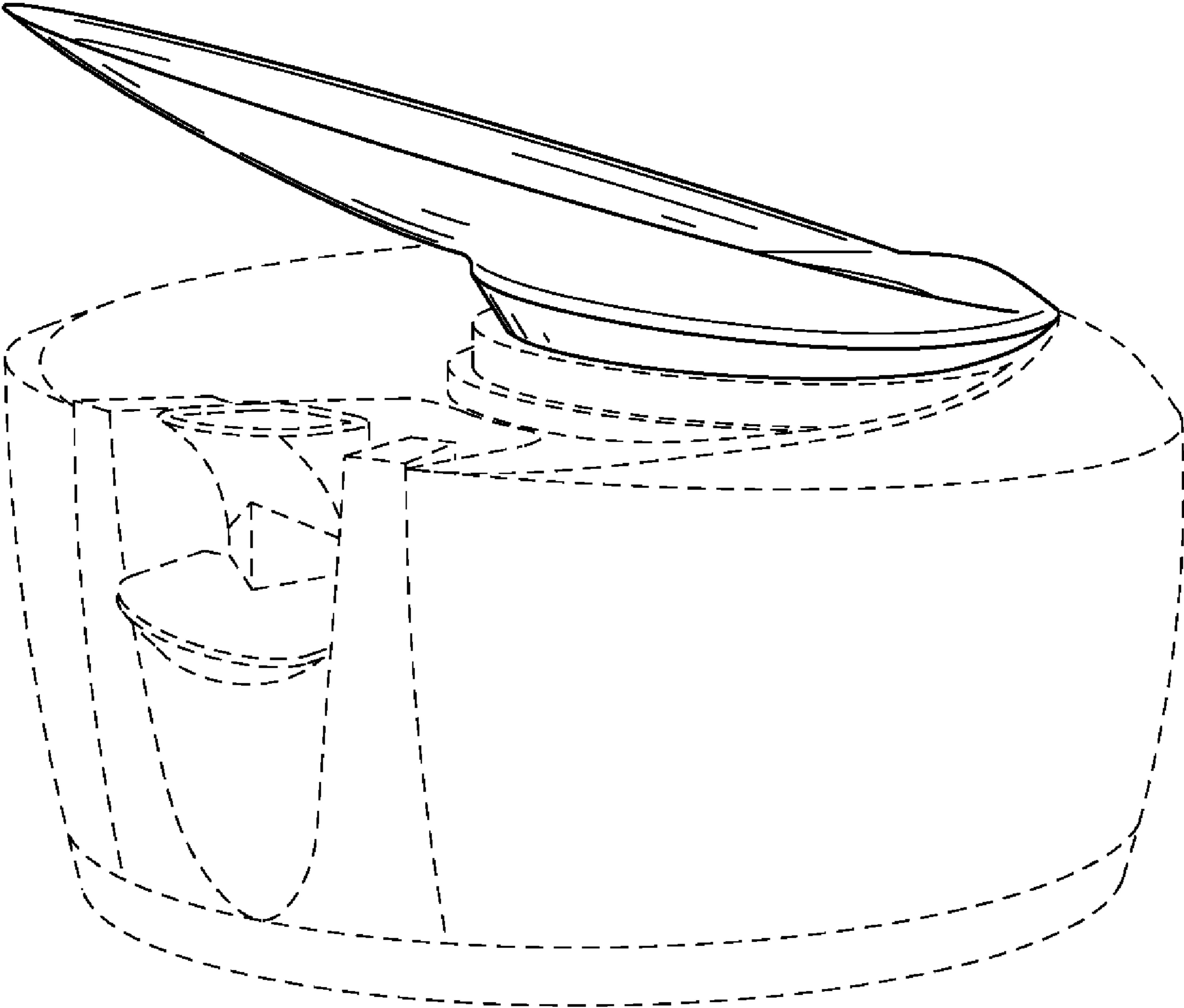


FIG. 10

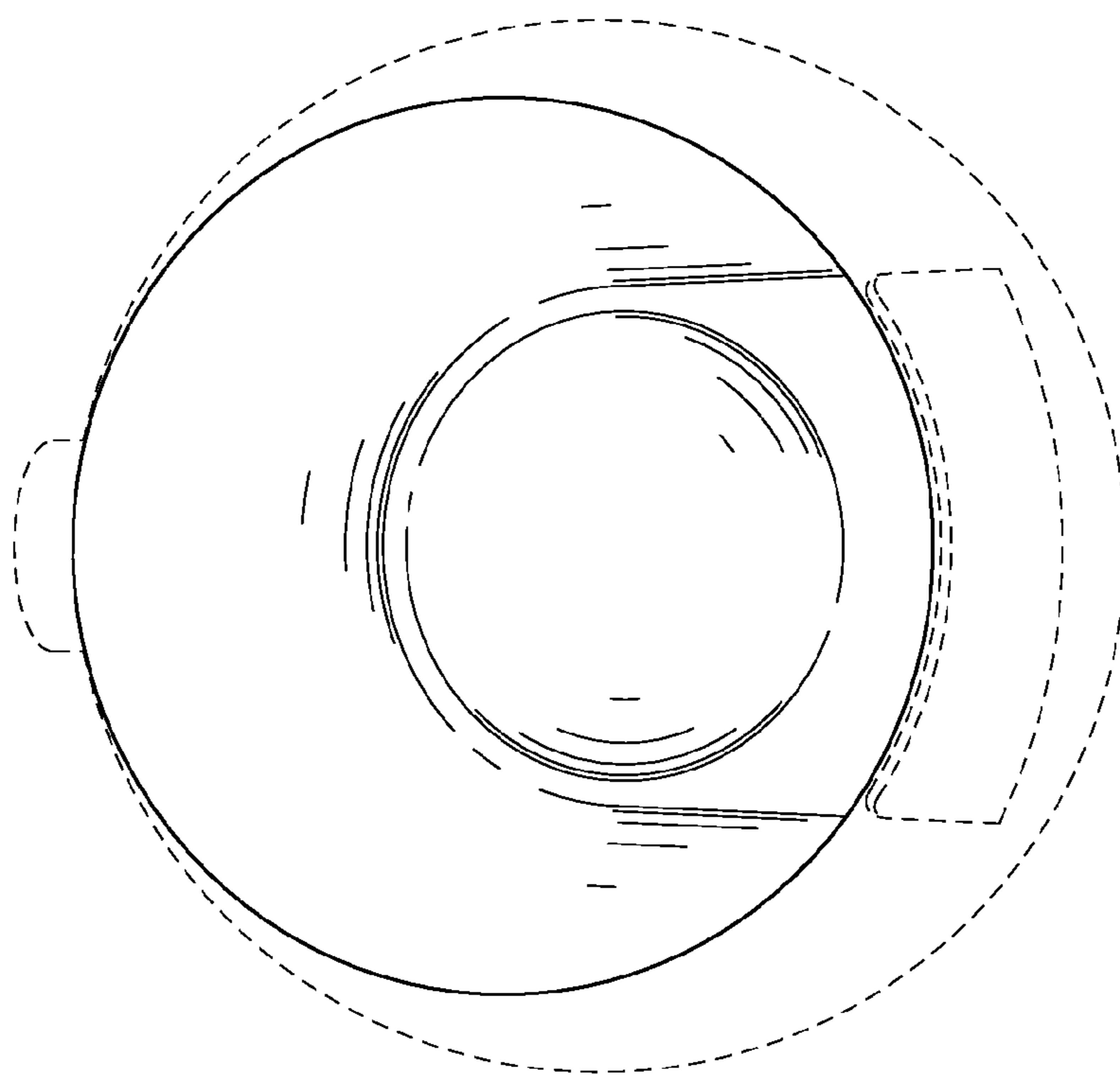


FIG. 11

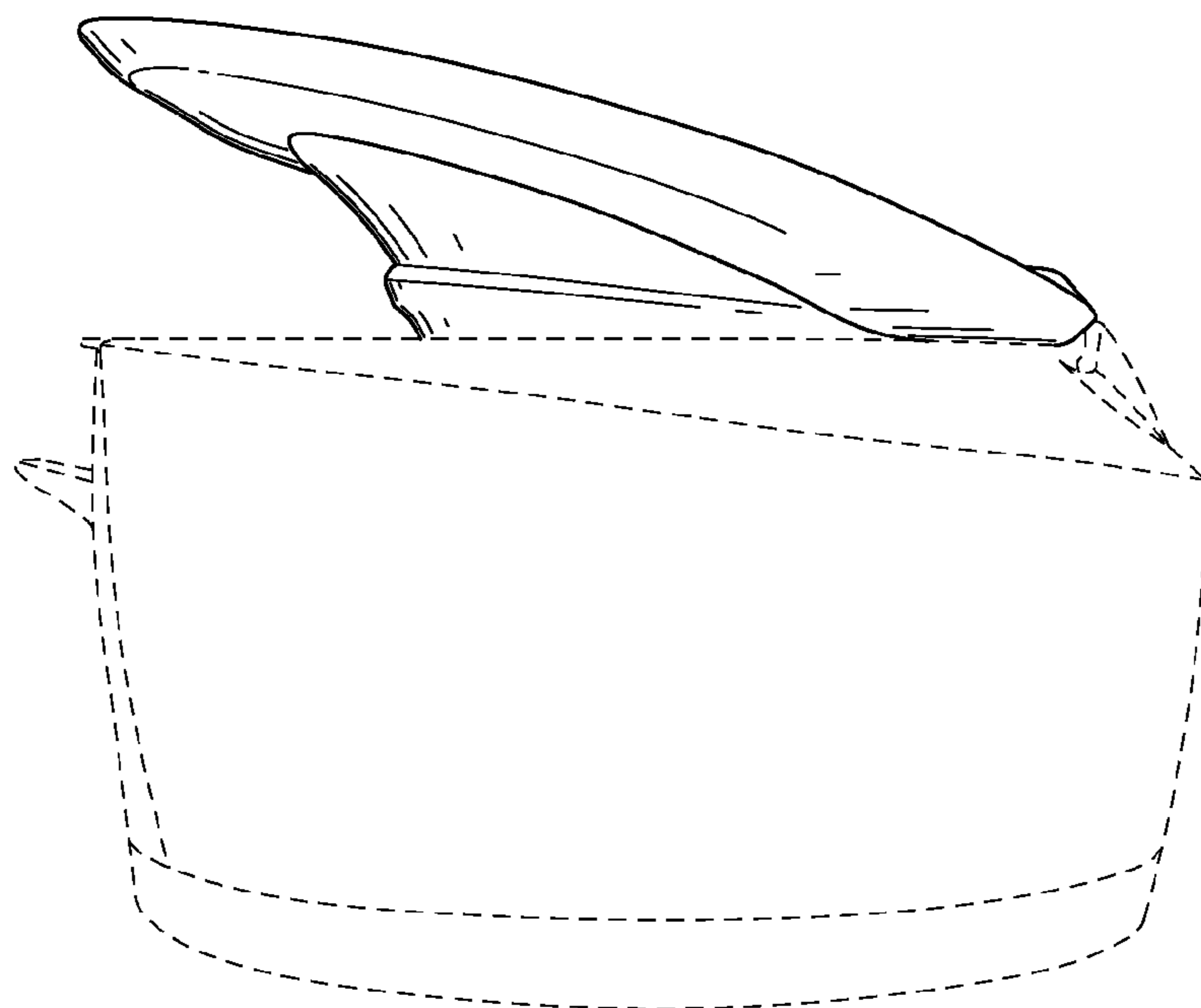


FIG. 12