



US00D611811S

(12) **United States Design Patent**  
**Gilbert**

(10) **Patent No.:** **US D611,811 S**  
(45) **Date of Patent:** **\*\* Mar. 16, 2010**

- (54) **FLASK**
- (75) Inventor: **Tyler Sean Gilbert**, Bellevue, WA (US)
- (73) Assignee: **Pacific Market International, LLC**,  
Seattle, WA (US)
- (\*\*) Term: **14 Years**
- (21) Appl. No.: **29/345,367**
- (22) Filed: **Oct. 14, 2009**

**Related U.S. Application Data**

- (62) Division of application No. 29/305,671, filed on Mar. 26, 2008, now Pat. No. Des. 604,165.

- (51) **LOC (9) Cl.** ..... **09-07**
- (52) **U.S. Cl.** ..... **D9/443**
- (58) **Field of Classification Search** ..... D9/682,  
D9/685-687, 693-694, 516, 523, 526-528,  
D9/530-532, 535, 542-543, 563, 572, 574-575,  
D9/435, 439, 443, 436, 453; 215/200, 228,  
215/382-384, 396; D24/224; D23/211.1,  
D23/200, 220, 212, 212.5; 220/200, 203.22,  
220/212, 212.5, 220; D7/510-511, 392.1  
See application file for complete search history.

(56) **References Cited**

**U.S. PATENT DOCUMENTS**

3,250,423	A	5/1966	Curran
D205,910	S	10/1966	Northrup
D214,239	S	5/1969	Kemp
D314,139	S	1/1991	Ambasz
4,981,228	A	1/1991	Kahn
D341,322	S	11/1993	Bondewel
D342,140	S	12/1993	Sakagami et al.
D345,916	S	4/1994	Bondewel
D358,219	S	5/1995	Ushikubo
D400,794	S	11/1998	Takeuchi et al.
D469,018	S	1/2003	Allanson et al.
D471,455	S	3/2003	Laveault et al.

D493,366	S	*	7/2004	Rackwitz	.....	D9/443	X
D503,113	S		3/2005	Gillispie			
D505,294	S	*	5/2005	Gauss	.....	D7/392.1	
D508,185	S	*	8/2005	Gauss	.....	D7/392.1	
D511,457	S		11/2005	Biesecker et al.			
6,981,601	B2		1/2006	Laveault et al.			
D533,057	S	*	12/2006	Rabe	.....	D9/443	X
D539,607	S	*	4/2007	Lapsker	.....	D7/510	
D541,426	S		4/2007	Sato et al.			
D543,454	S	*	5/2007	Leoncavallo et al.	.....	D9/449	
7,228,982	B2	*	6/2007	Nielson	.....	215/396	
D580,227	S	*	11/2008	Roth et al.	.....	D7/510	
D581,268	S		11/2008	Heath et al.			
D586,184	S	*	2/2009	Miller et al.	.....	D7/511	
D596,459	S	*	7/2009	Ghiassi	.....	D7/510	
2004/0217139	A1	*	11/2004	Roth et al.	.....	215/228	X
2007/0039959	A1	*	2/2007	Choi et al.	.....	220/212.5	
2007/0095831	A1	*	5/2007	Thatcher	.....	220/212.5	
2008/0078787	A1	*	4/2008	Yelland	.....	215/200	X

\* cited by examiner

*Primary Examiner*—Carol Rademaker  
(74) *Attorney, Agent, or Firm*—Davis Wright Tremaine LLP;  
George C. Rondeau, Jr.

(57) **CLAIM**

The ornamental design for a flask, as shown and described.

**DESCRIPTION**

FIG. 1 is a top, rear and right side perspective view of a flask showing my new design;

FIG. 2 is a front elevational view thereof;

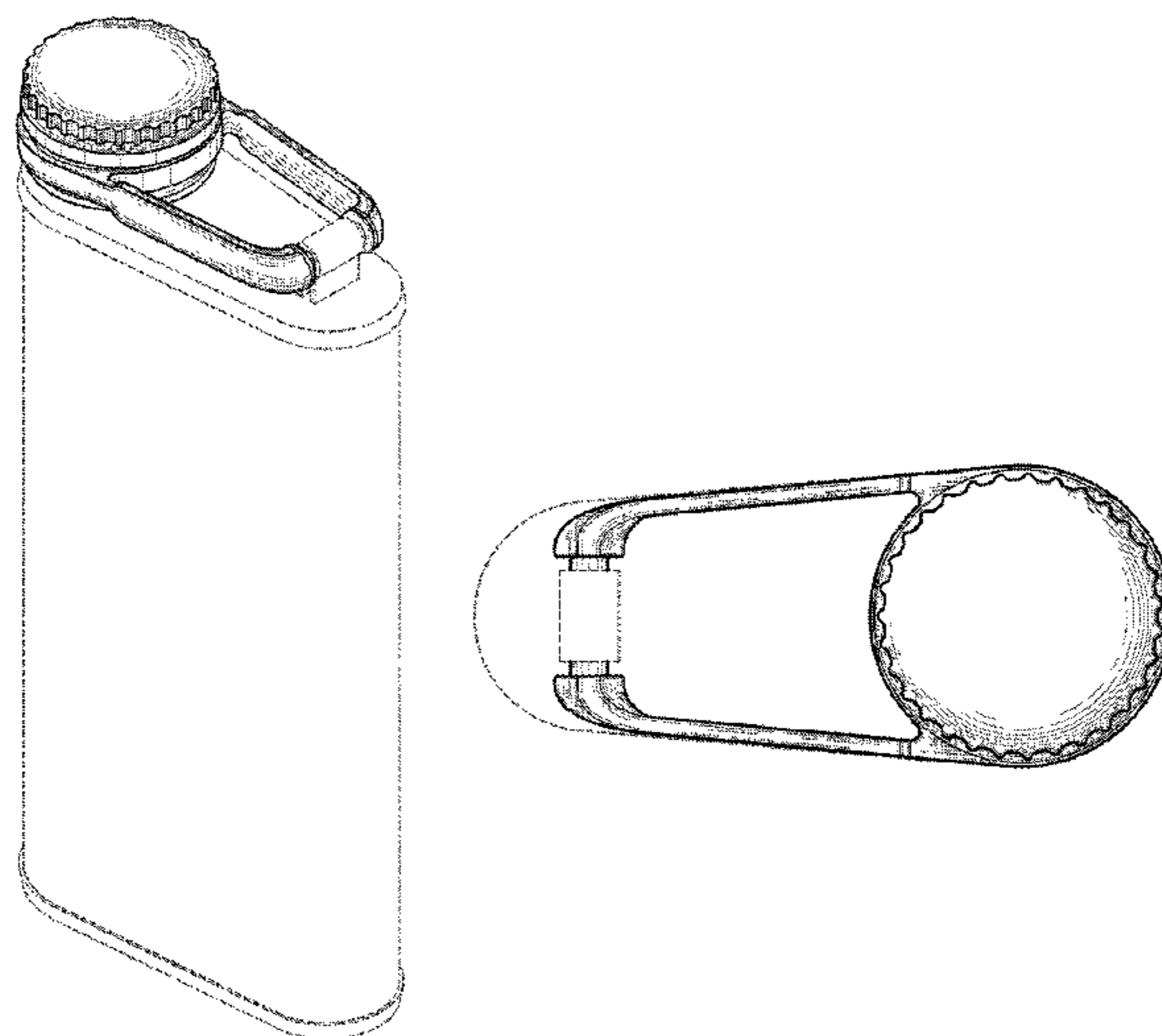
FIG. 3 is a rear elevational view thereof;

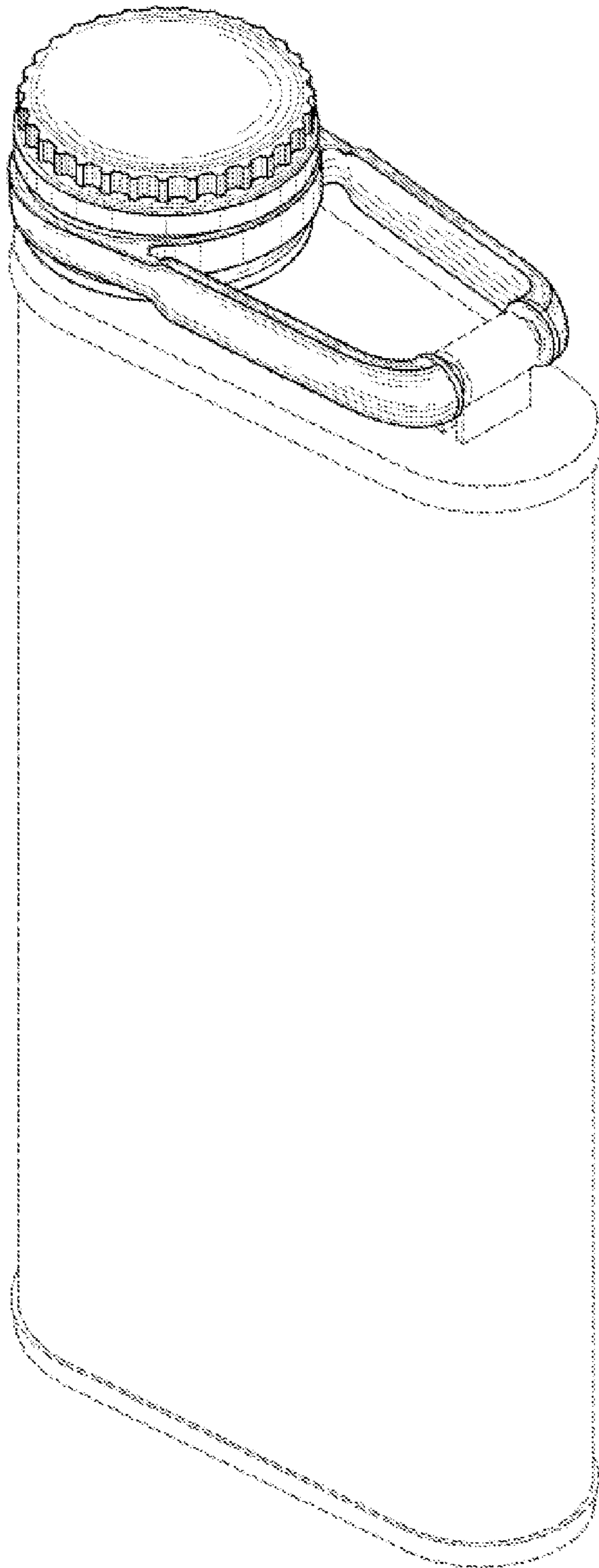
FIG. 4 is a left side elevational view thereof, the right side elevational view being a mirror image; and,

FIG. 5 is a top plan view thereof.

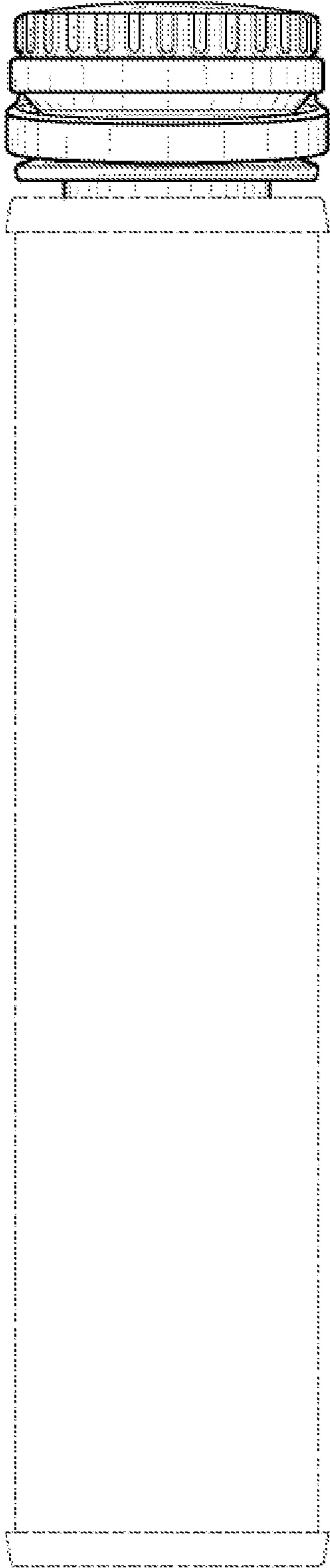
The broken lines shown in the drawing views are included for the purpose of showing environmental structure that forms no part of the claimed design.

**1 Claim, 4 Drawing Sheets**

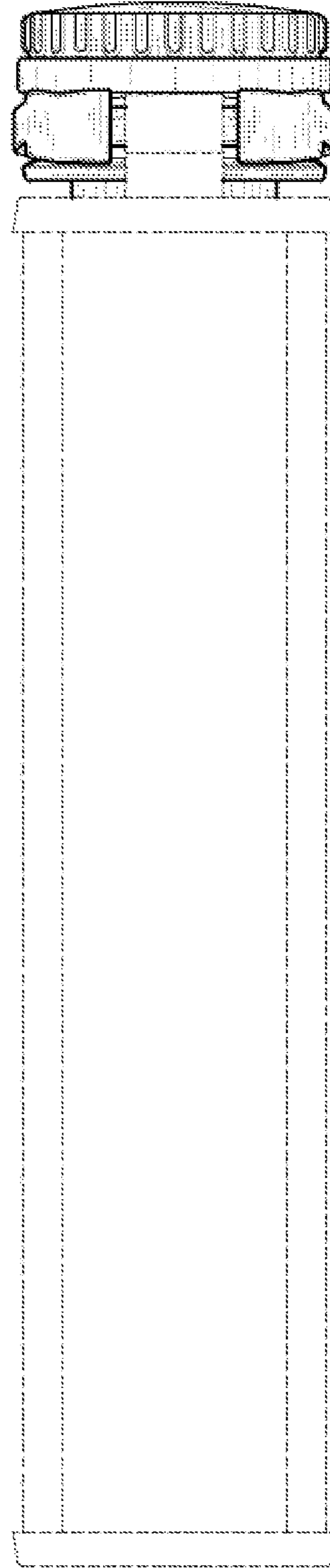




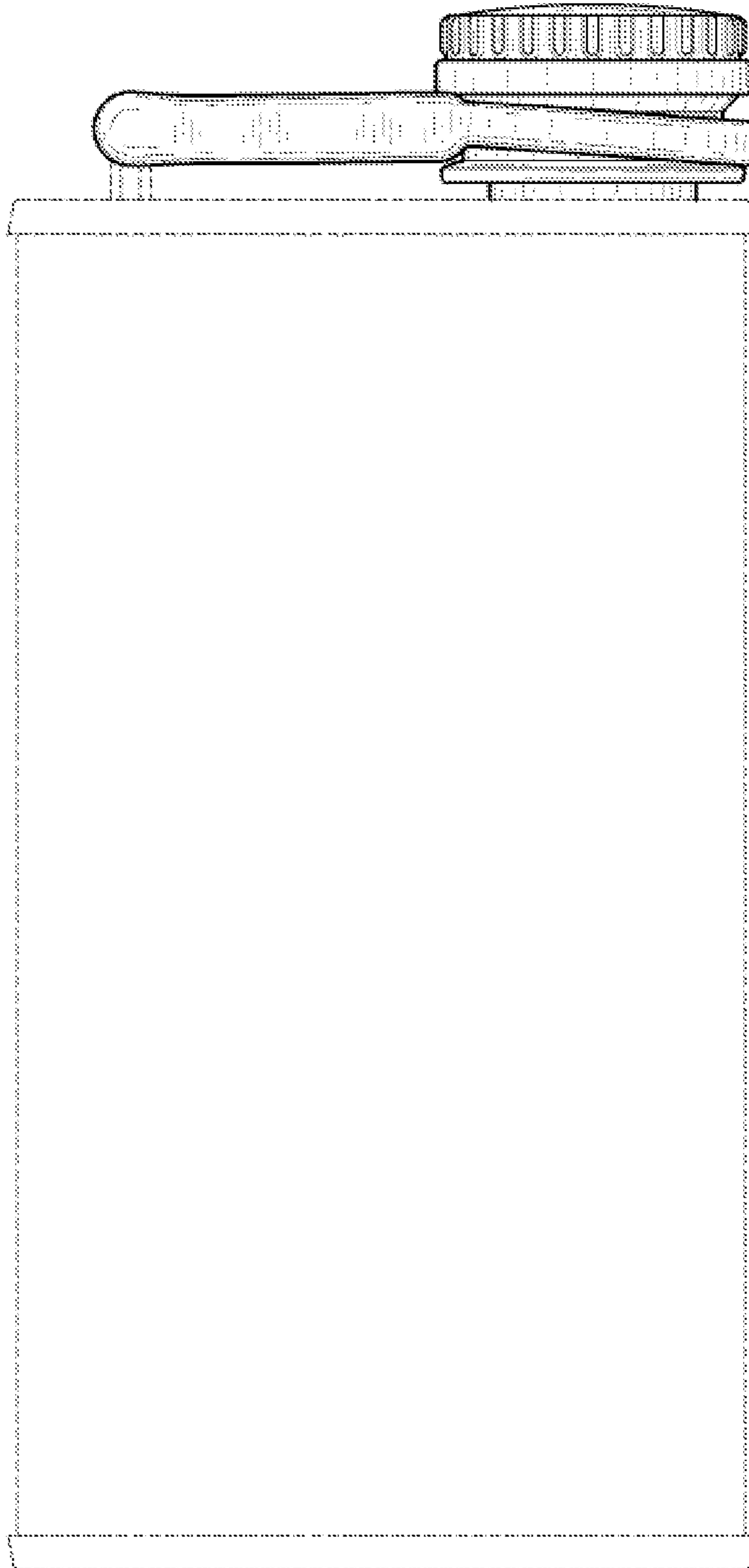
*Fig. 1*



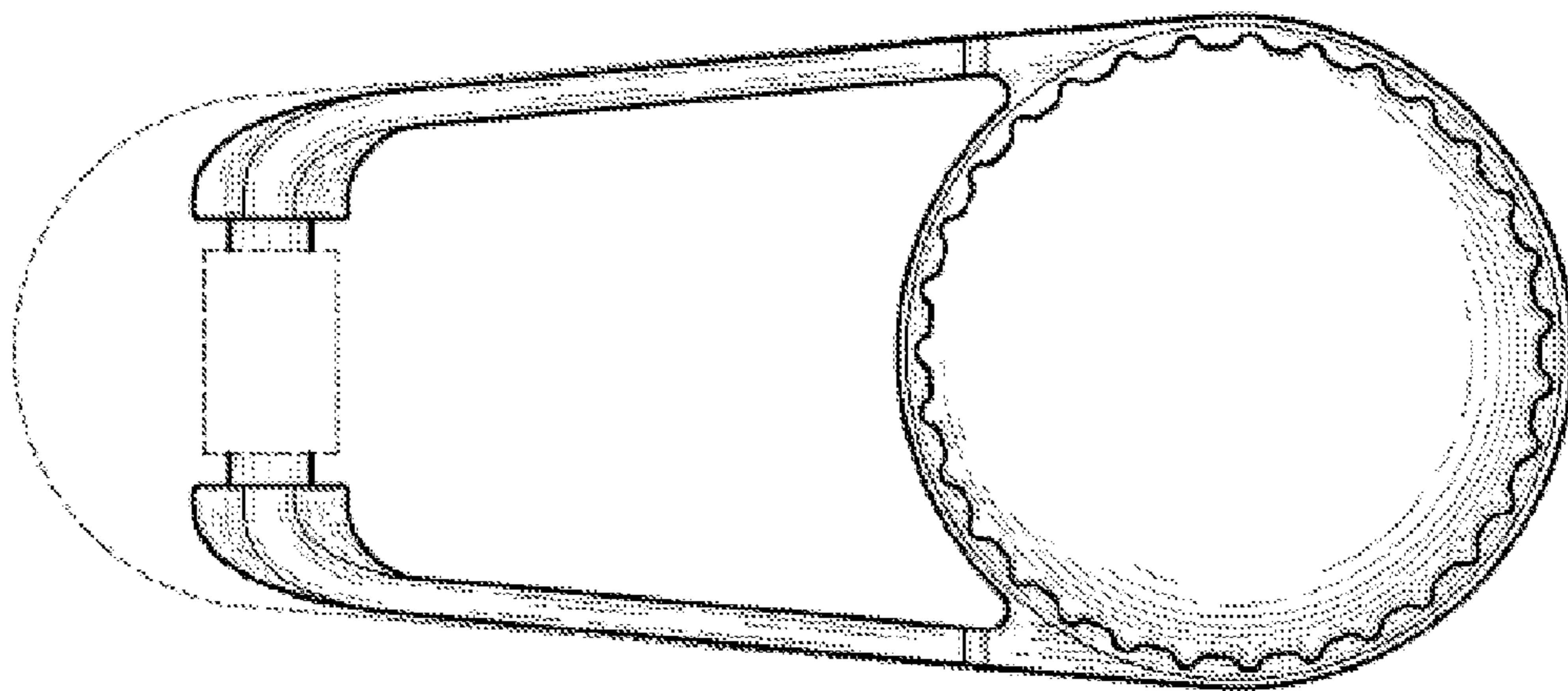
*Fig. 2*



*Fig. 3*



*Fig. 4*



*Fig. 5*