



US00D611810S

(12) **United States Design Patent**
Hautzinger

(10) **Patent No.:** **US D611,810 S**
(45) **Date of Patent:** **** Mar. 16, 2010**

(54) **TRANSITION REGION FOR A
CONVERTIBLE CONTAINER AND PLATE**

(75) Inventor: **Jeff Hautzinger**, Chicago, IL (US)

(73) Assignee: **Pactiv Corporation**, Lake Forest, IL (US)

(**) Term: **14 Years**

(21) Appl. No.: **29/346,225**

(22) Filed: **Oct. 28, 2009**

Related U.S. Application Data

(63) Continuation of application No. 12/491,002, filed on Jun. 24, 2009, which is a continuation-in-part of application No. 12/435,327, filed on May 4, 2009.

(51) **LOC (9) Cl.** **09-07**

(52) **U.S. Cl.** **D9/434**

(58) **Field of Classification Search** D9/457,
D9/456, 447, 446, 435, 434, 433, 432, 427,
D9/426, 425, 424, 420, 414; D7/392, 392.1,
D7/396.1, 566; D3/201; 229/407, 406, 313,
229/225, 222, 212, 209, 208, 149, 114; 220/574,
220/575, 230; 206/728

See application file for complete search history.

(56) **References Cited**

U.S. PATENT DOCUMENTS

798,264 A	8/1905	Carrier
1,945,013 A	1/1934	Wilson
2,073,498 A	3/1937	Seez
2,170,040 A	8/1939	Stuart
2,232,088 A	2/1941	Waters
2,252,297 A	8/1941	MacIntyre
2,468,306 A	4/1949	Norden
2,623,684 A	12/1952	Collura
3,033,434 A	5/1962	Carson
3,511,433 A	5/1970	Andrews et al.
3,596,822 A	8/1971	Holley

(Continued)

OTHER PUBLICATIONS

U.S. Appl. No. 12/435,327, filed May 4, 2009.

(Continued)

Primary Examiner—Susan Bennett Hattan

(74) *Attorney, Agent, or Firm*—Baker Botts L.L.P.

(57) **CLAIM**

The ornamental design for a transition region for a convertible container and plate, as shown and described.

DESCRIPTION

FIG. 1 is a top view of a transition region for a convertible container and plate shown in an open position;

FIG. 2 is an enlarged bottom view of the transition region of FIG. 1;

FIG. 3 is an enlarged side view of the transition region of FIG. 1;

FIG. 4 is a perspective view of an exemplary convertible container and plate having a transition region in the open position as shown in FIG. 1;

FIG. 5 is a top view of the exemplary convertible container and plate of FIG. 4;

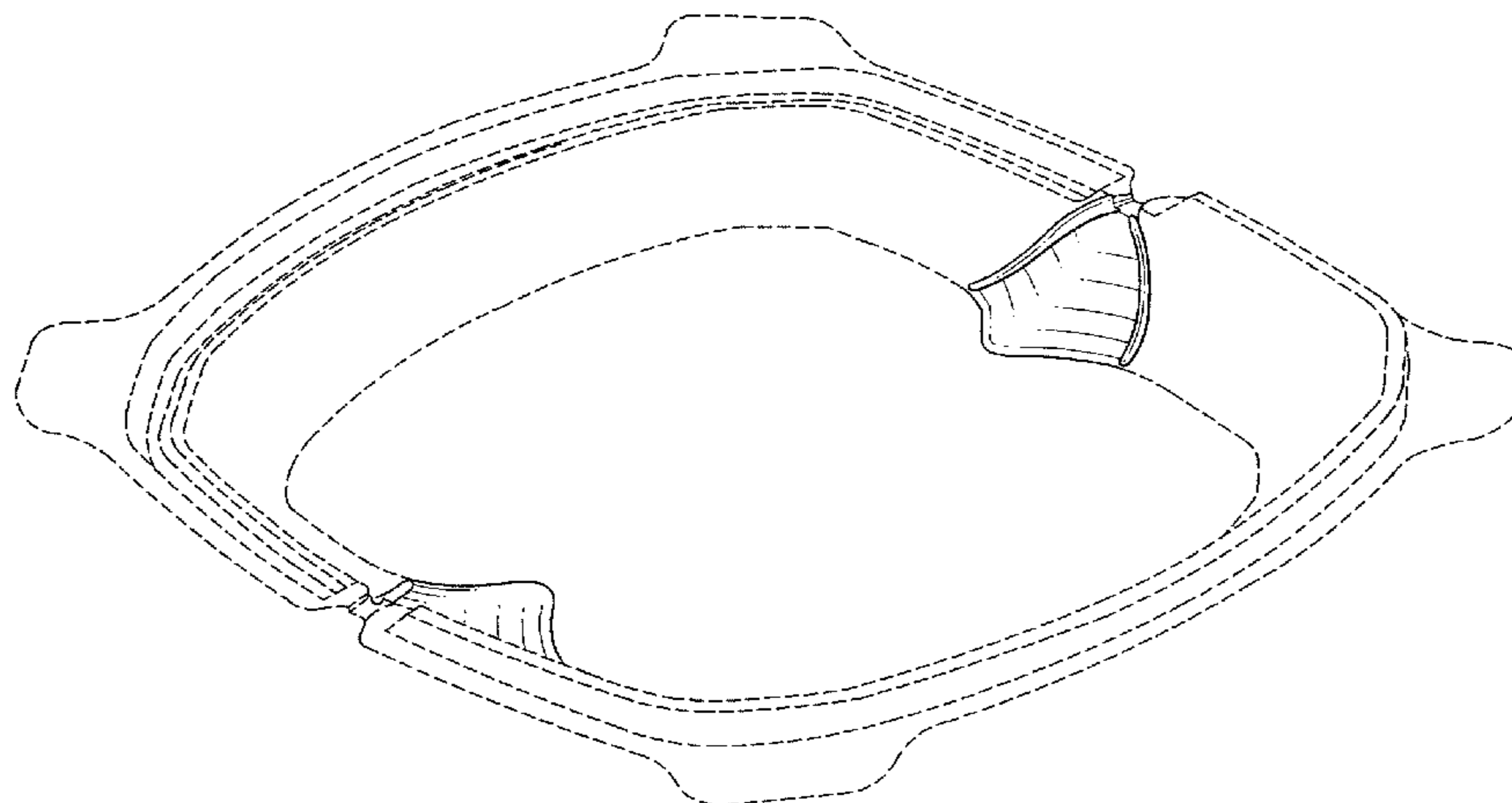
FIG. 6 is a front view of the exemplary convertible container and plate of FIG. 4;

FIG. 7 is a bottom view of the exemplary convertible container and plate of FIG. 4; and,

FIG. 8 is a side view of the exemplary convertible container and plate of FIG. 4.

The broken lines shown throughout these figures depict environmental subject matter only and form no part of the claimed design.

1 Claim, 8 Drawing Sheets



US D611,810 S

Page 2

U.S. PATENT DOCUMENTS

D223,653 S *	5/1972	Reifers	D9/427	5,110,038 A	5/1992	Pantisano et al.	
D223,654 S *	5/1972	Reifers	D9/427	5,205,476 A	4/1993	Sorenson	
D223,657 S *	5/1972	Reifers	D9/427	5,209,392 A	5/1993	Anatro	
D224,965 S *	10/1972	Reifers	D9/427	5,230,939 A	7/1993	Baum	
D225,514 S *	12/1972	Reifers	D9/427	5,279,456 A	1/1994	Bernstein	
3,771,713 A	11/1973	Davidson		5,326,020 A	7/1994	Cheshire et al.	
4,026,458 A	5/1977	Morris et al.		5,577,989 A	11/1996	Neary	
4,150,777 A *	4/1979	Cyr et al.	229/406	5,628,451 A	5/1997	Neary	
4,266,713 A	5/1981	Maroszek		6,364,203 B2	4/2002	Toussant et al.	
4,441,626 A	4/1984	Hall		D457,037 S *	5/2002	Hayes	D7/584
4,606,496 A	8/1986	Marx et al.		6,415,944 B1	7/2002	Toussant	
4,609,140 A	9/1986	Van Handel et al.		D502,870 S *	3/2005	Bennett et al.	D9/428
4,706,606 A	11/1987	Coppola		D509,427 S *	9/2005	Townsend	D9/447
4,721,499 A	1/1988	Marx et al.		D552,989 S *	10/2007	Vogel	D9/435
4,721,500 A	1/1988	Van Handel et al.		D557,136 S *	12/2007	Bengtzelius et al.	D9/426
4,778,439 A	10/1988	Alexander		D605,464 S *	12/2009	McGuire et al.	D7/396.1
4,804,137 A	2/1989	Harby		2008/0011758 A1	1/2008	Campbell	
4,848,543 A	7/1989	Doboze					
4,890,576 A	1/1990	James					
5,088,640 A	2/1992	Littlejohn					

OTHER PUBLICATIONS

U.S. Appl. No. 12/491,002, filed Jun. 24, 2009.

* cited by examiner

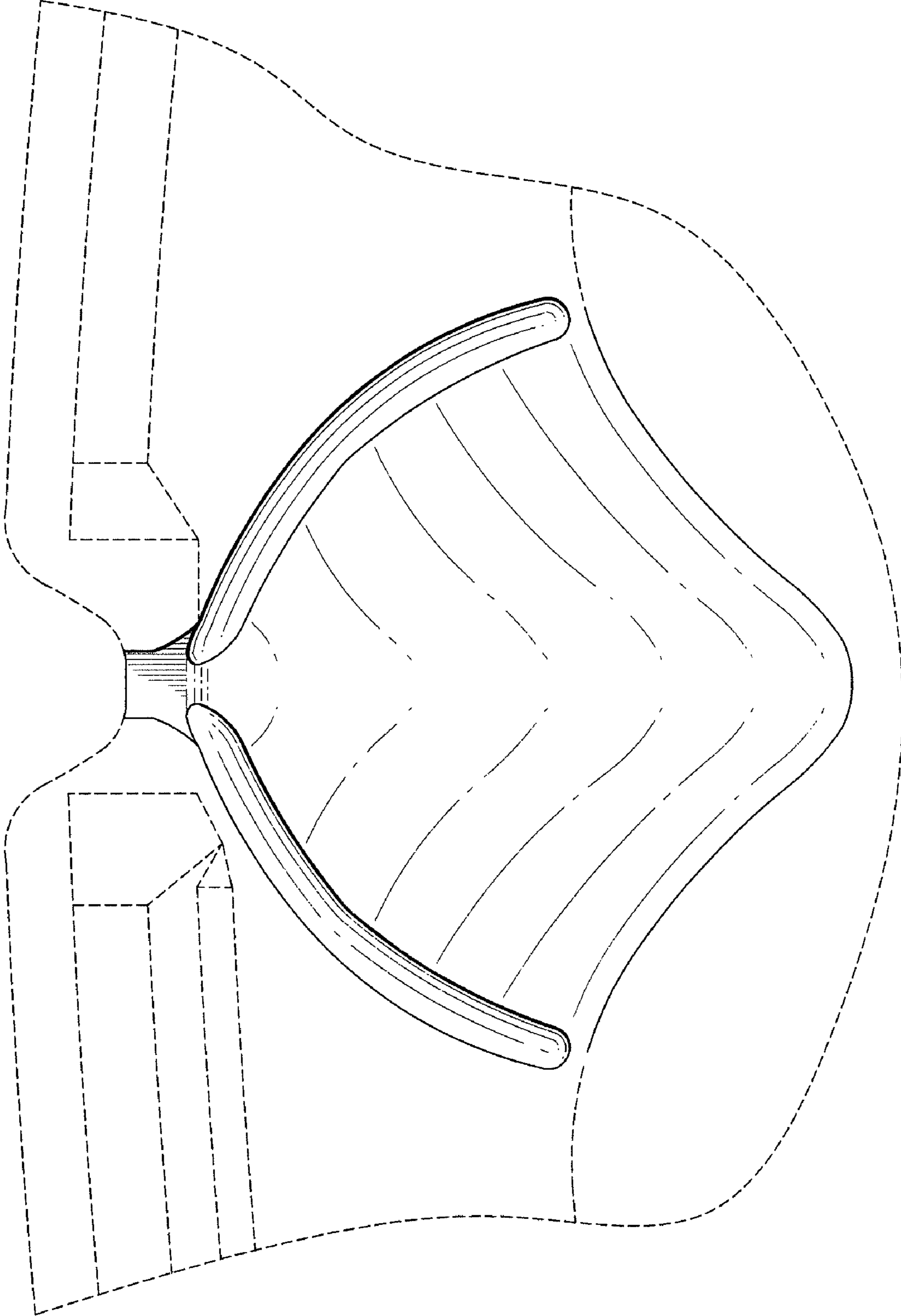


FIG. 1

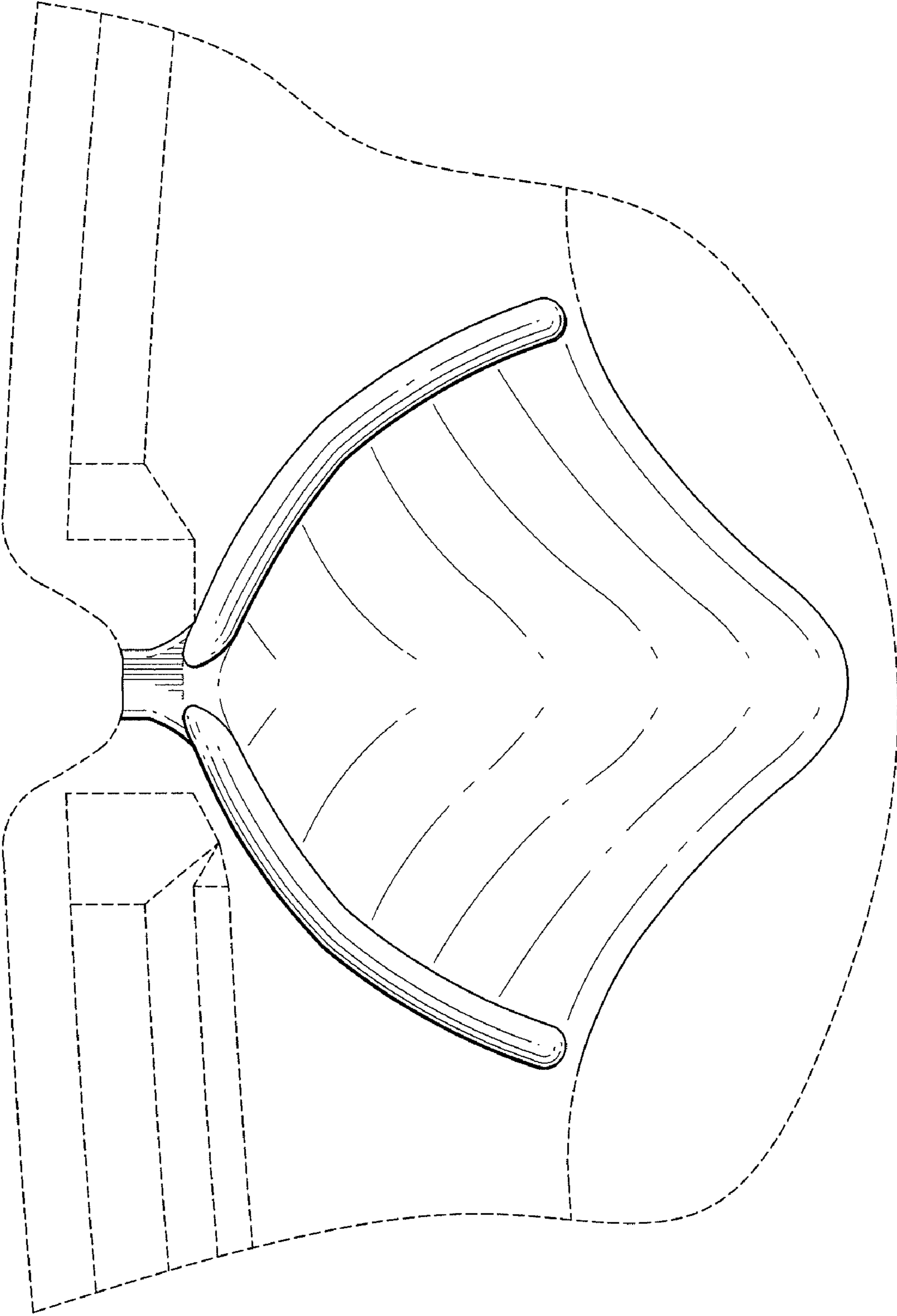


FIG. 2

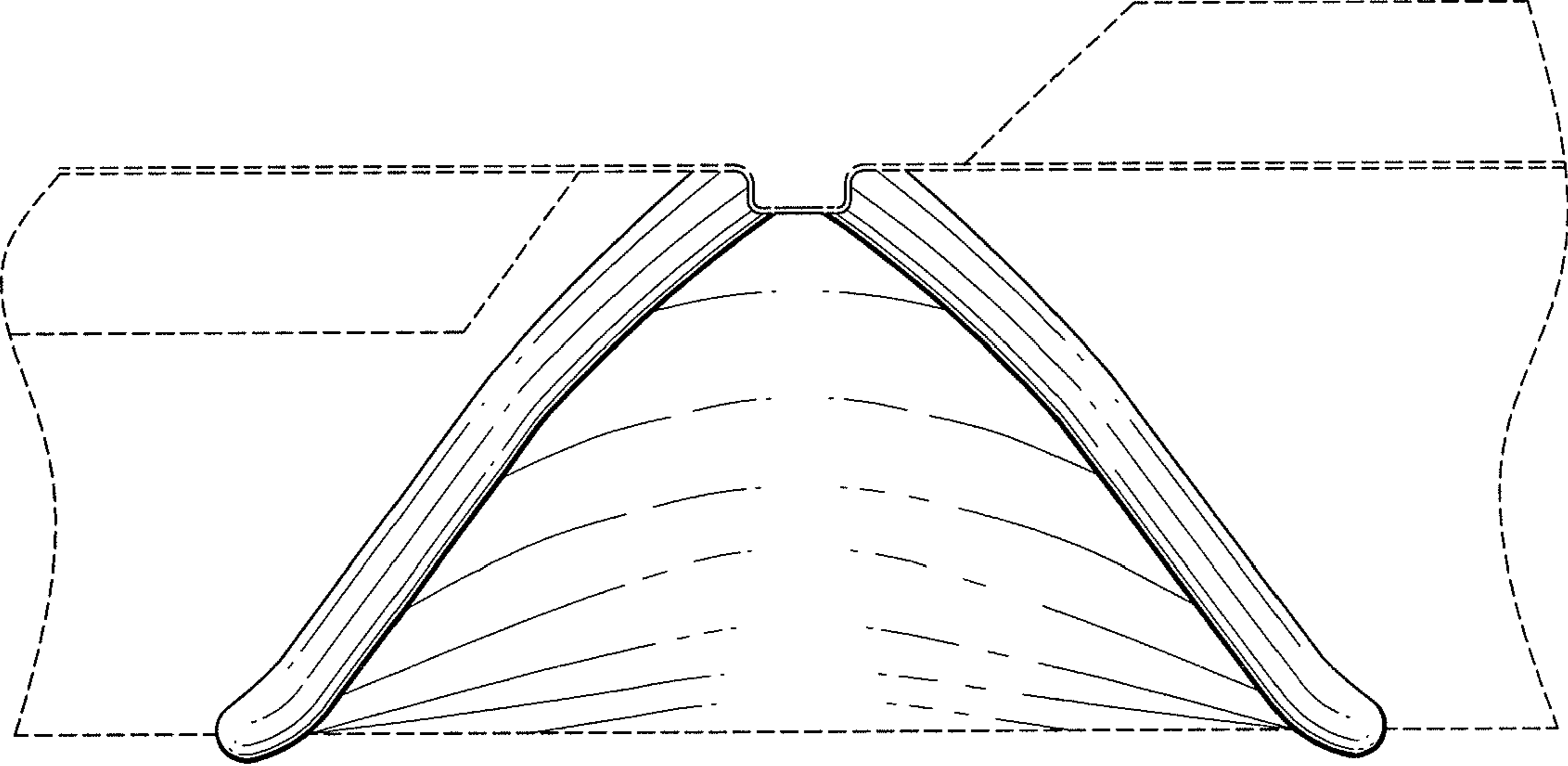


FIG.3

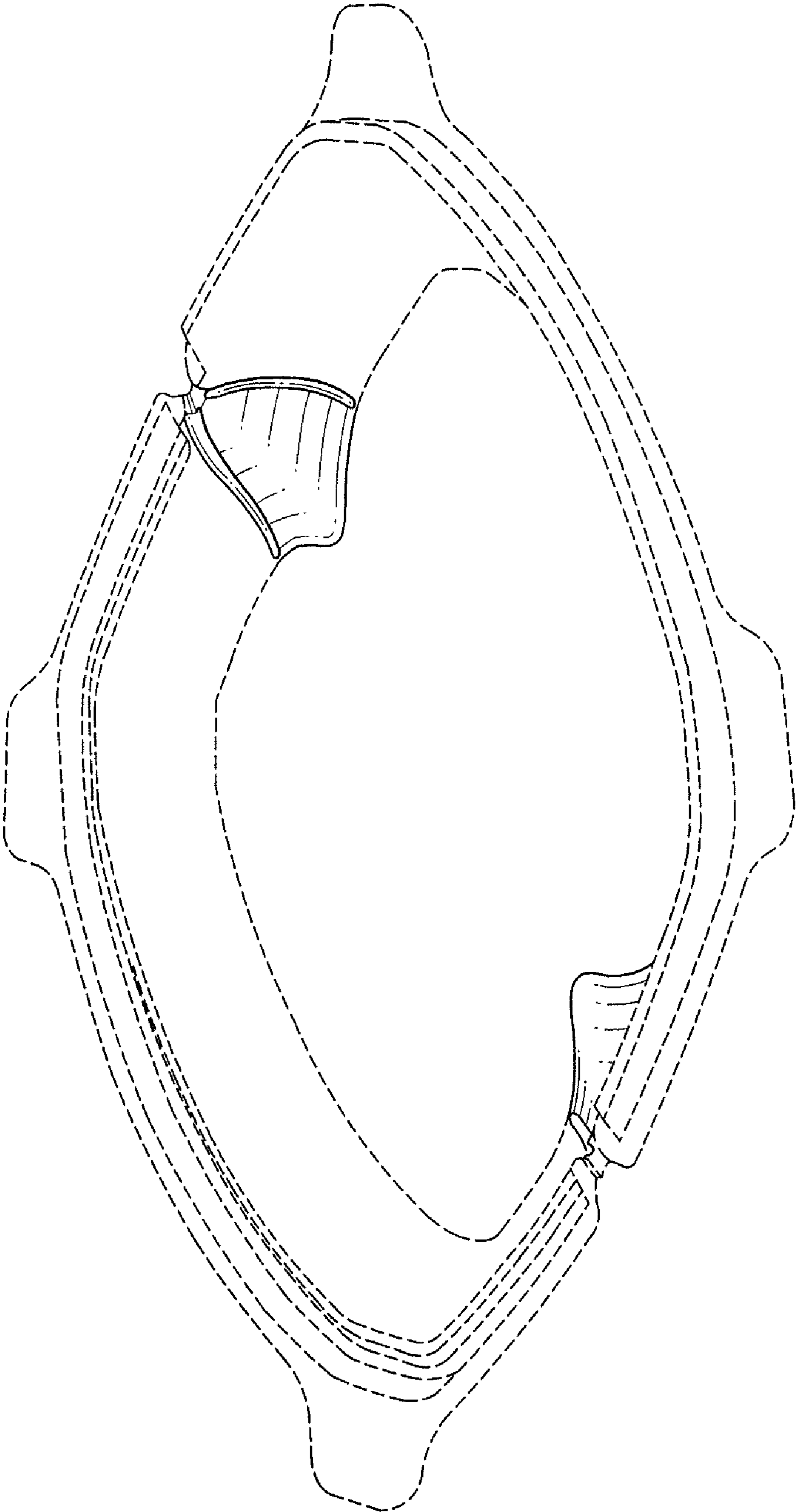


FIG.4

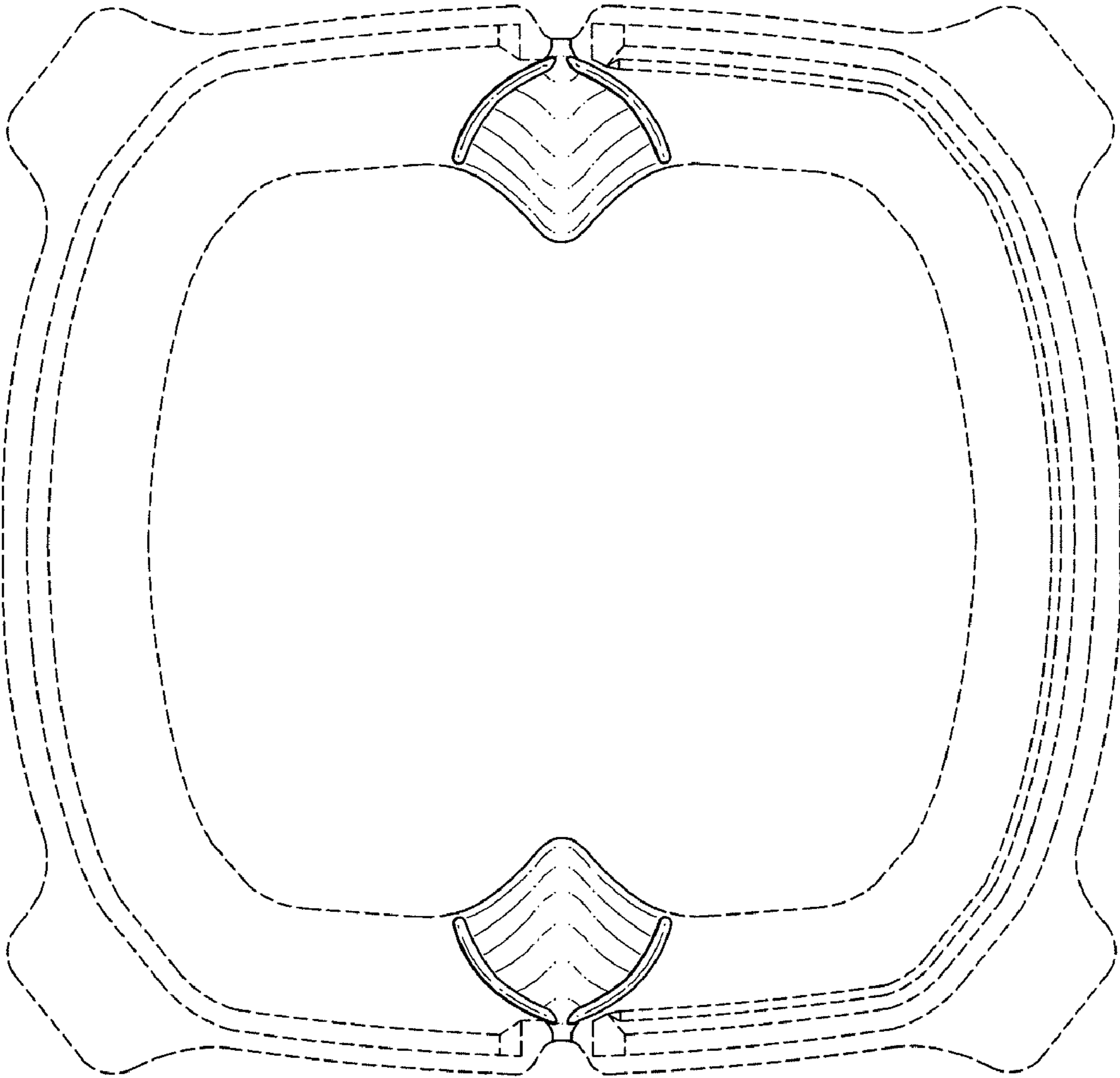


FIG. 5



FIG. 6

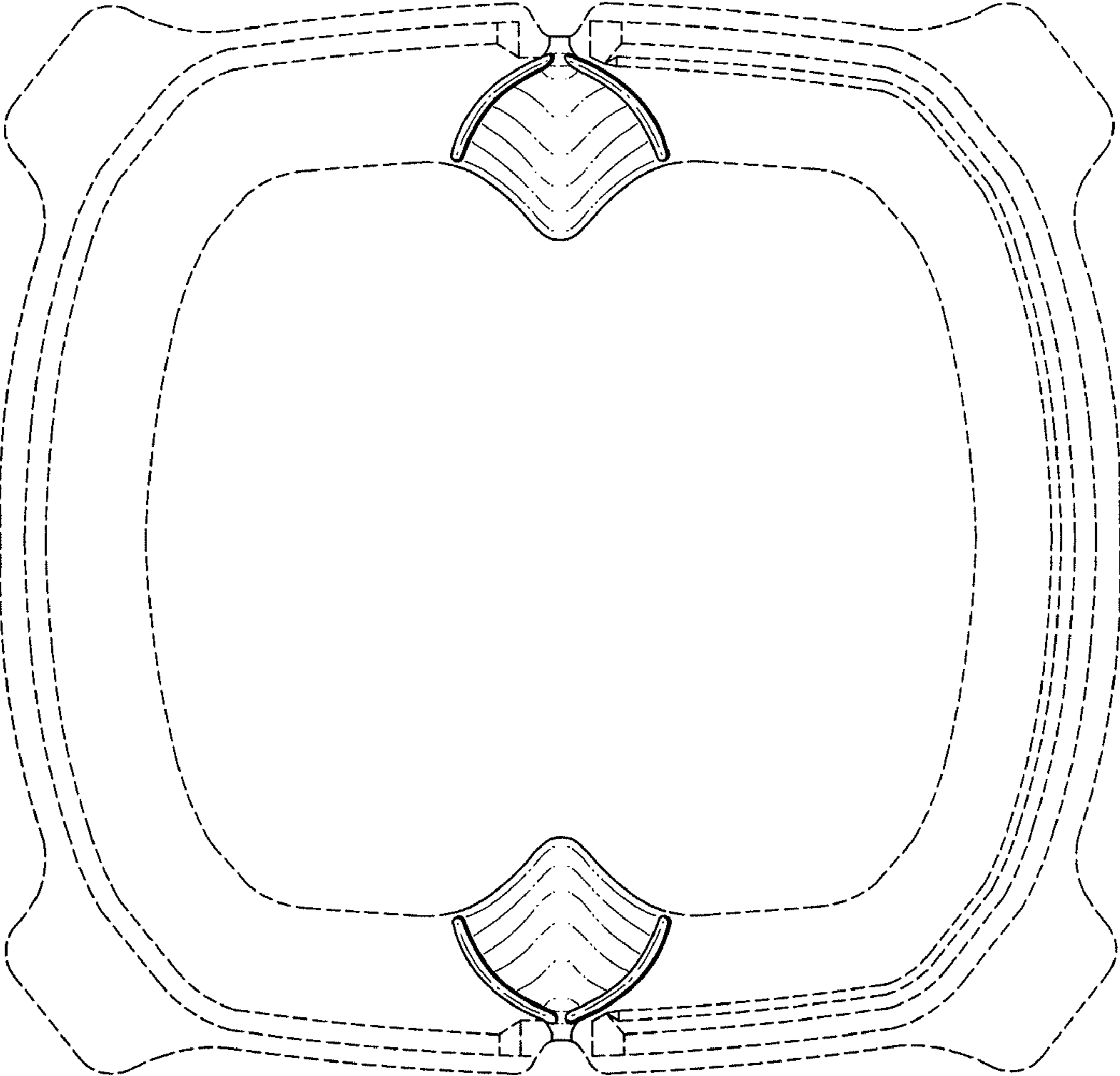


FIG. 7

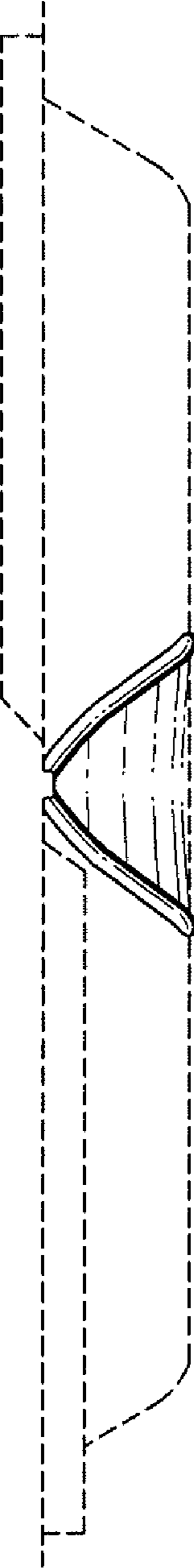


FIG. 8