



US00D611806S

(12) **United States Design Patent**
Bried

(10) **Patent No.:** **US D611,806 S**
(45) **Date of Patent:** **** Mar. 16, 2010**

(54) **CONTAINER FOR CONSUMABLE GOODS**

(75) Inventor: **David Karl Bried**, Brentwood, TN (US)
(73) Assignee: **U.S. Smokeless Tobacco Company**,
Richmond, VA (US)
(**) Term: **14 Years**
(21) Appl. No.: **29/337,885**
(22) Filed: **Jun. 1, 2009**

(51) **LOC (9) Cl.** **09-03**
(52) **U.S. Cl.** **D9/420**
(58) **Field of Classification Search** D9/420-425,
D9/428, 430, 337, 529, 519; 220/376, 797,
220/798, 796; D27/183, 186, 189, 191; D28/73,
D28/78, 82; 229/160.1, 1, 87.12, 406, 4.5;
206/259, 261, 265, 266, 271, 273
See application file for complete search history.

(56) **References Cited**

U.S. PATENT DOCUMENTS

D278,207	S	*	4/1985	McLaughlin	D3/203.2
5,405,007	A	*	4/1995	Iwahashi	206/387.1
5,788,064	A		8/1998	Sacherer et al.		
D399,604	S	*	10/1998	Wolff	D28/66
D408,129	S		4/1999	Spraulding		
D425,417	S	*	5/2000	Gaffney et al.	D9/423
D442,485	S		5/2001	Sumpmann et al.		
D449,521	S	*	10/2001	Pinkus et al.	D9/424
D491,806	S	*	6/2004	May	D9/424
7,066,349	B2		6/2006	Cohen		
D593,406	S	*	6/2009	Verebelyi et al.	D9/420

OTHER PUBLICATIONS

Taste-T-Picks Image, Available from CandyCrate.com. Believed to be available before Jun. 1, 2009, 1 page.

* cited by examiner

Primary Examiner—Daniel D Bui

Assistant Examiner—Thomas J Johannes

(74) *Attorney, Agent, or Firm*—Fish & Richardson P.C.

(57) **CLAIM**

The ornamental design for a container for consumable goods, as shown and described.

DESCRIPTION

FIG. 1 is a perspective view of a container for consumable goods.

FIG. 2 is a front view of the container of FIG. 1.

FIG. 3 is a rear view of the container of FIG. 1.

FIG. 4 is a side view of the container of FIG. 1.

FIG. 5 is a top view of the container of FIG. 1.

FIG. 6 is a bottom view of the container of FIG. 1.

FIG. 7 is a perspective view of the container of FIG. 1 arranged in an opened condition.

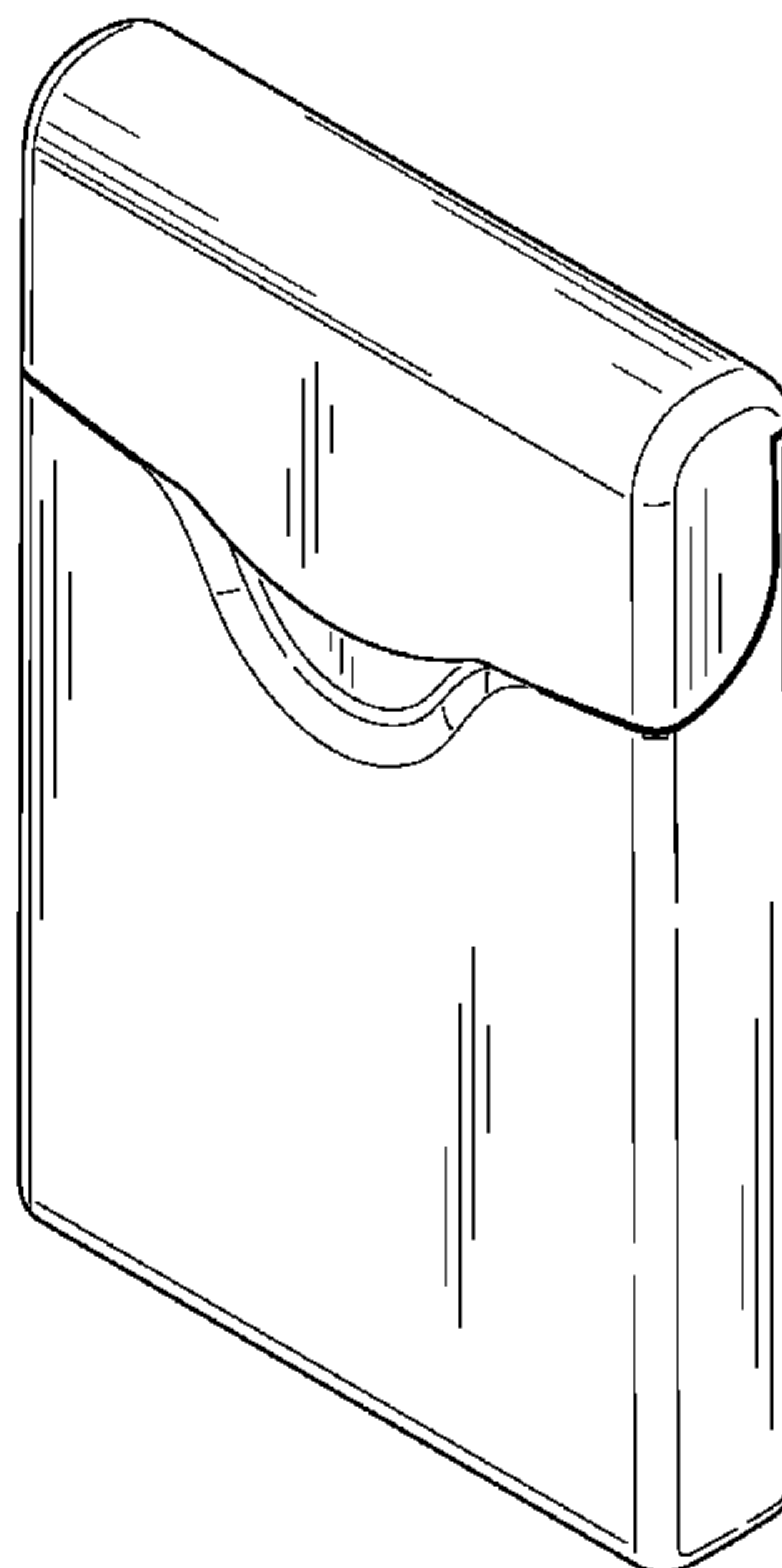
FIG. 8 is a front view of the container of FIG. 7.

FIG. 9 is a side view of the container of FIG. 7; and,

FIG. 10 is a top view of the container of FIG. 7.

The broken line portion of the figure drawings is included to show unclaimed subject matter only and forms no part of the claimed design.

1 Claim, 5 Drawing Sheets



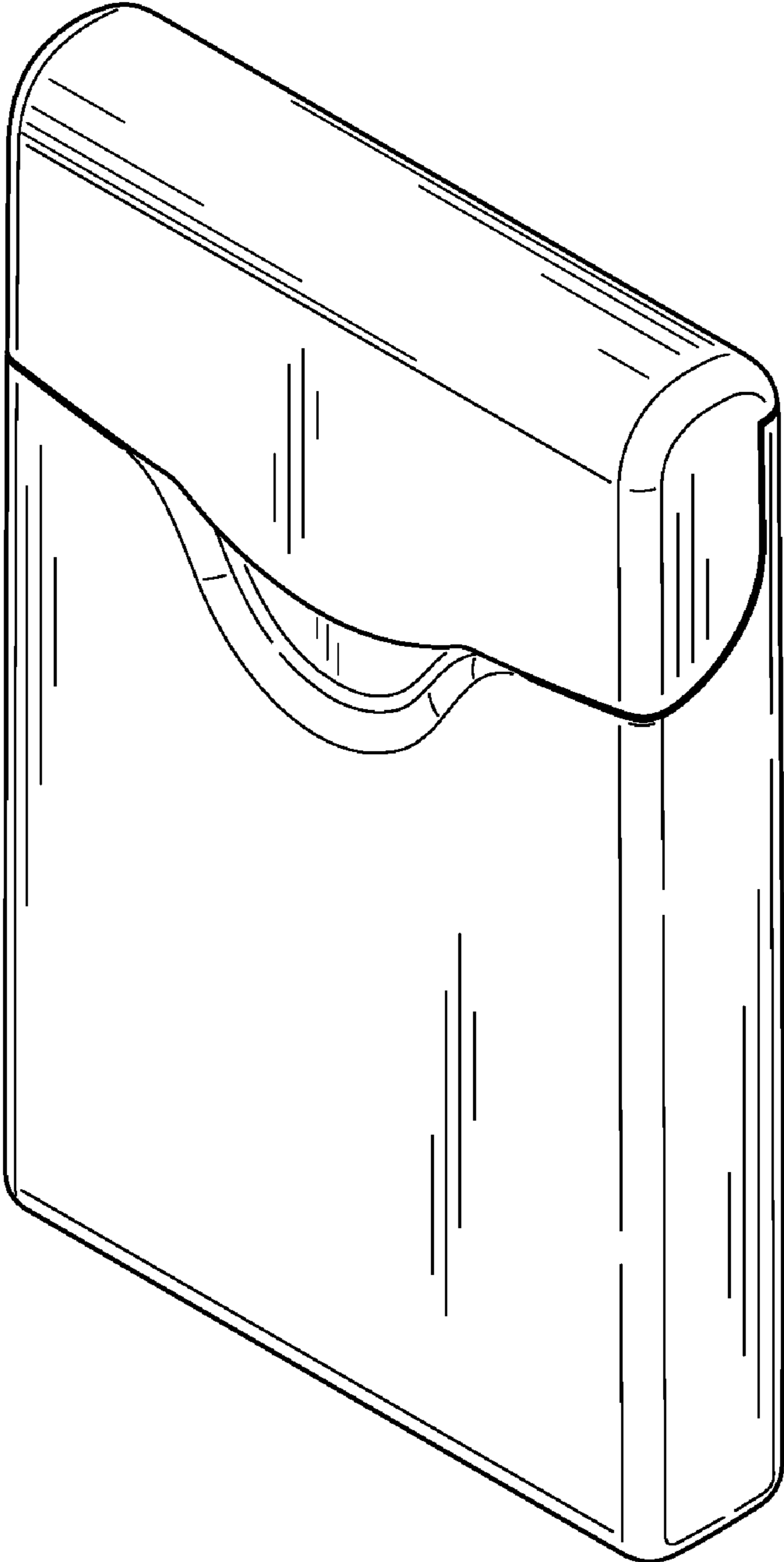


FIG. 1

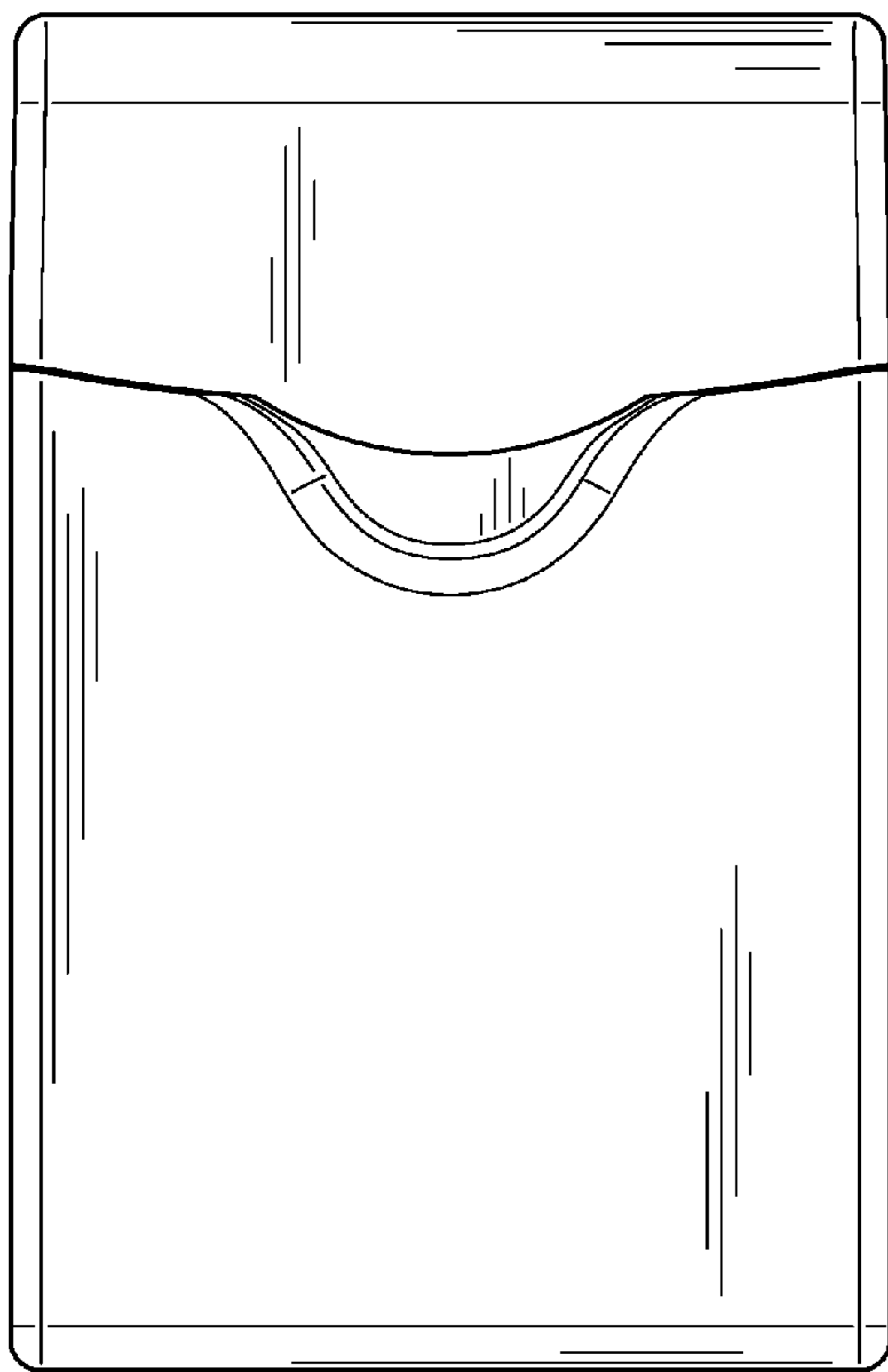


FIG. 2

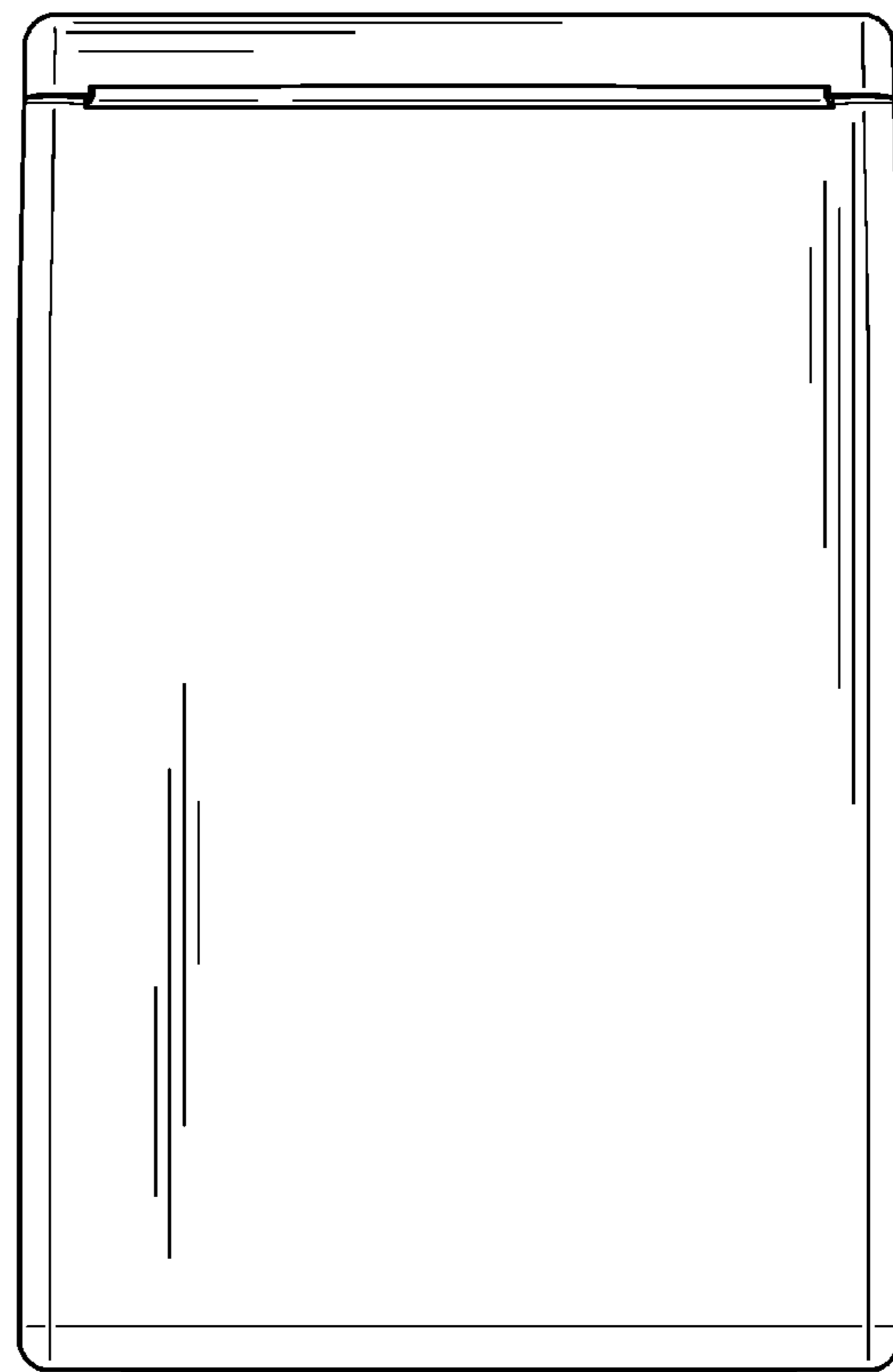


FIG. 3

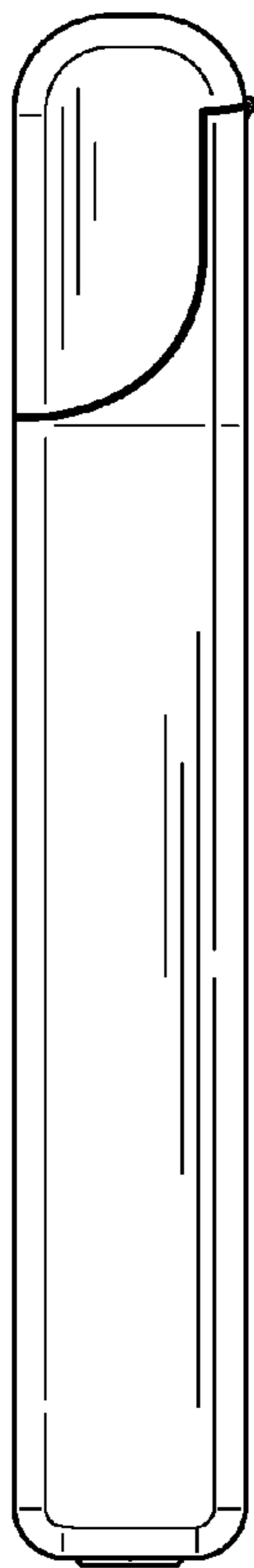


FIG. 4

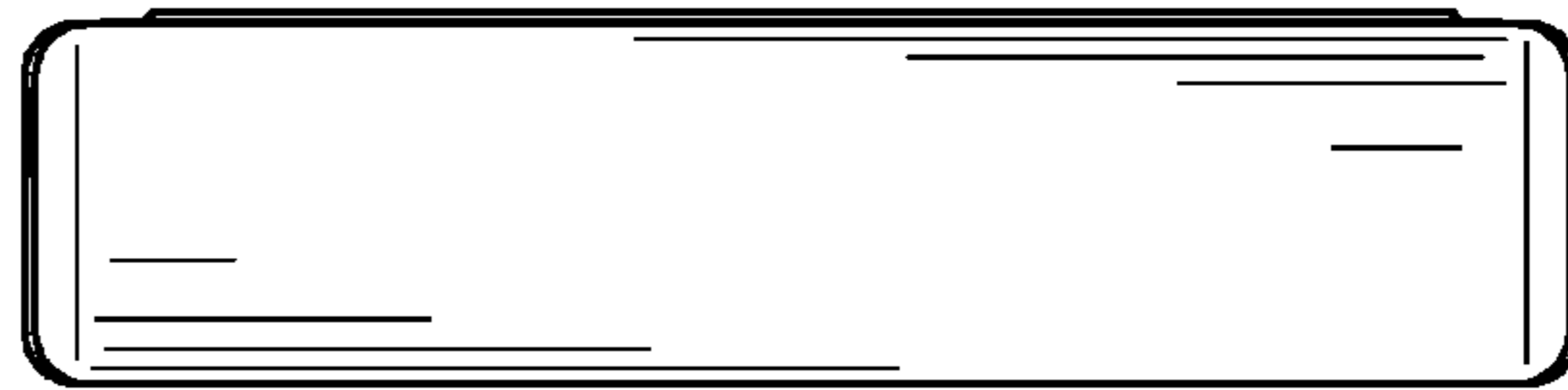


FIG. 5

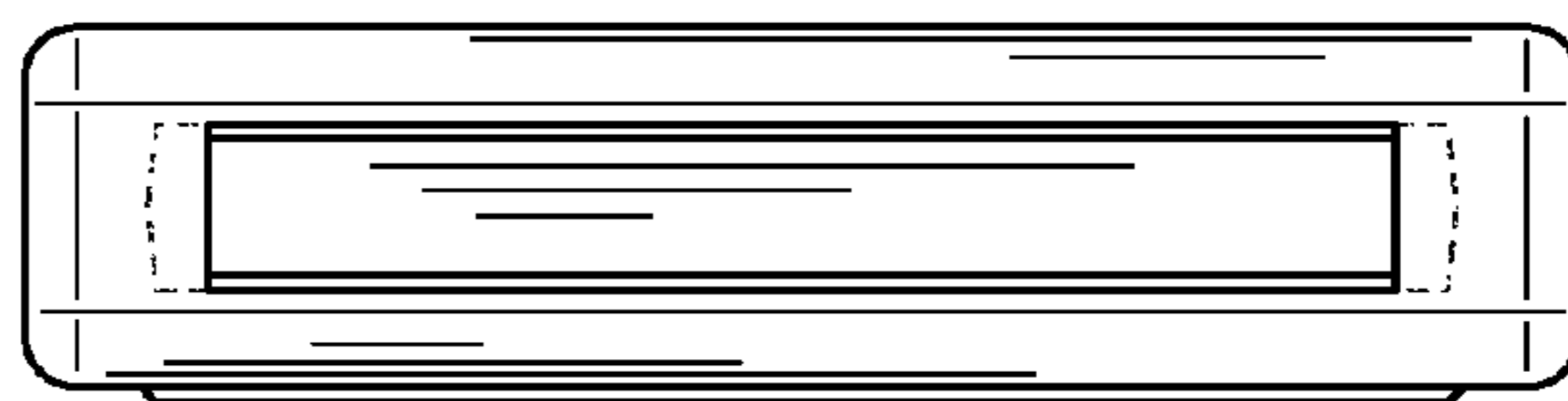


FIG. 6

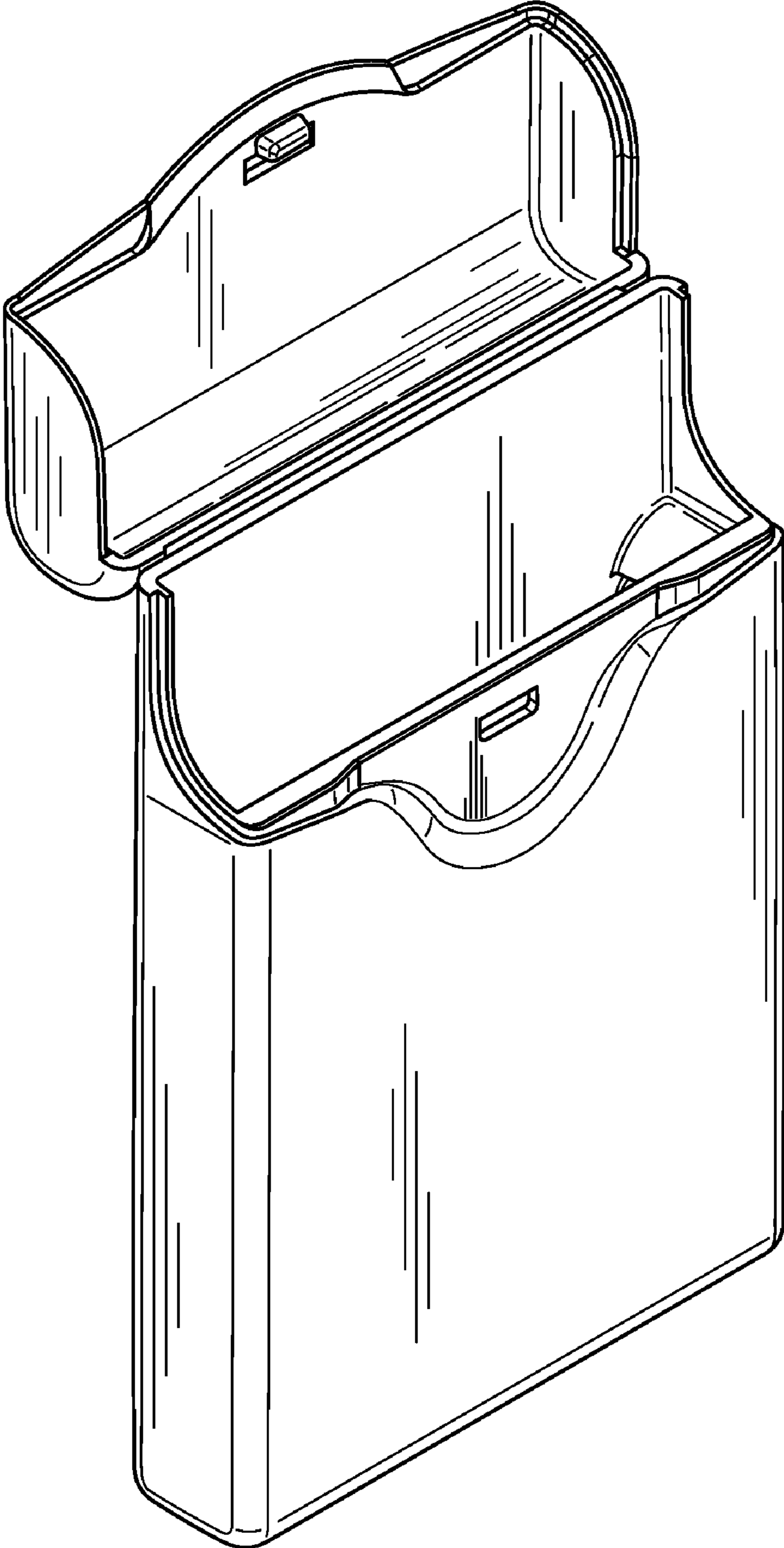


FIG. 7

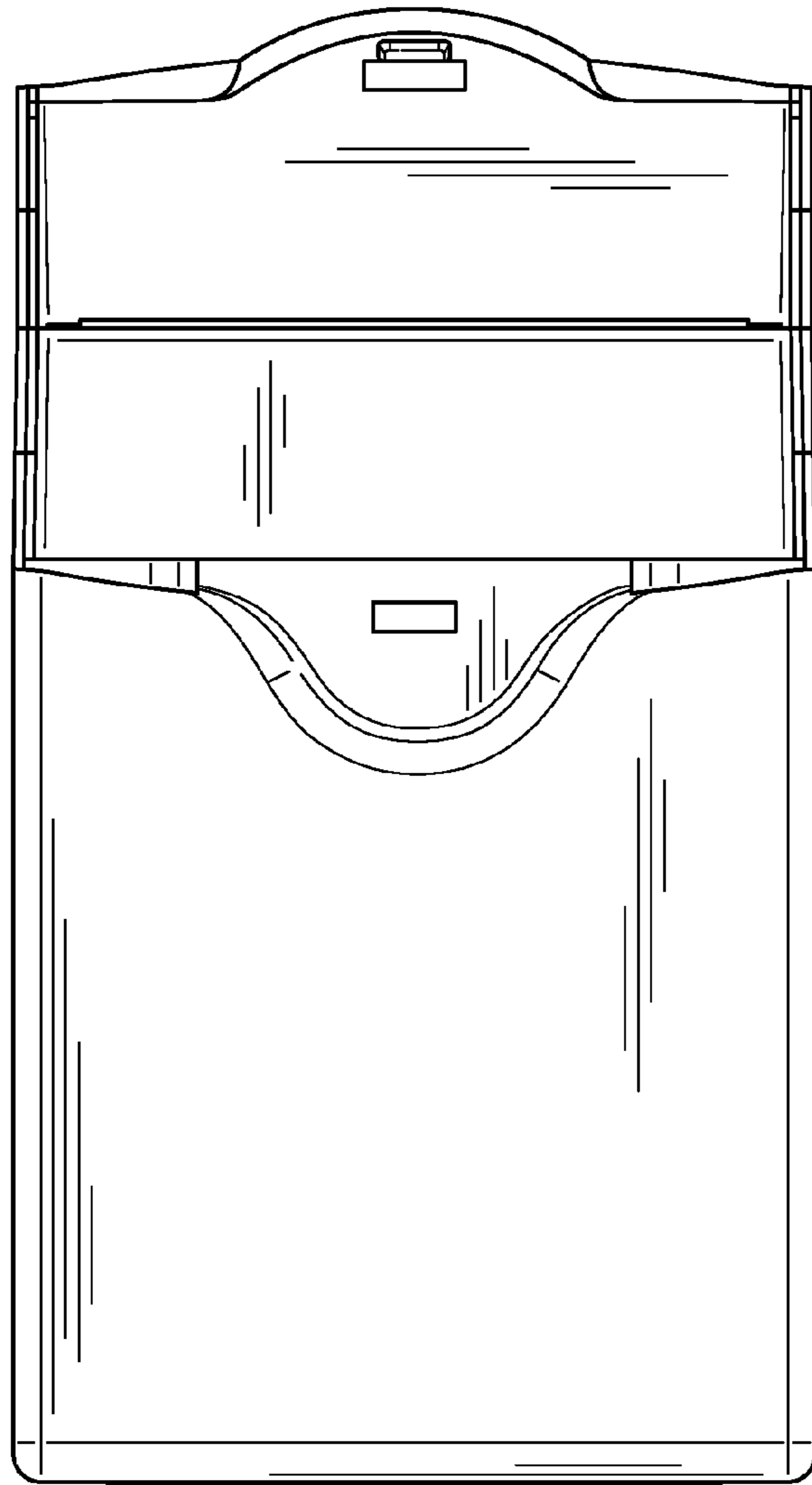


FIG. 8

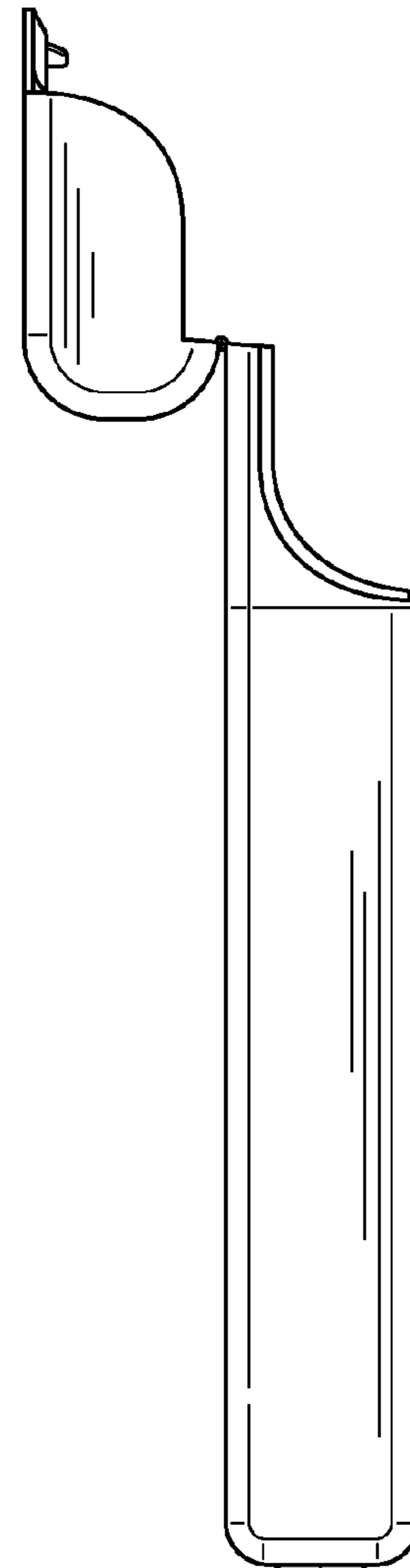


FIG. 9

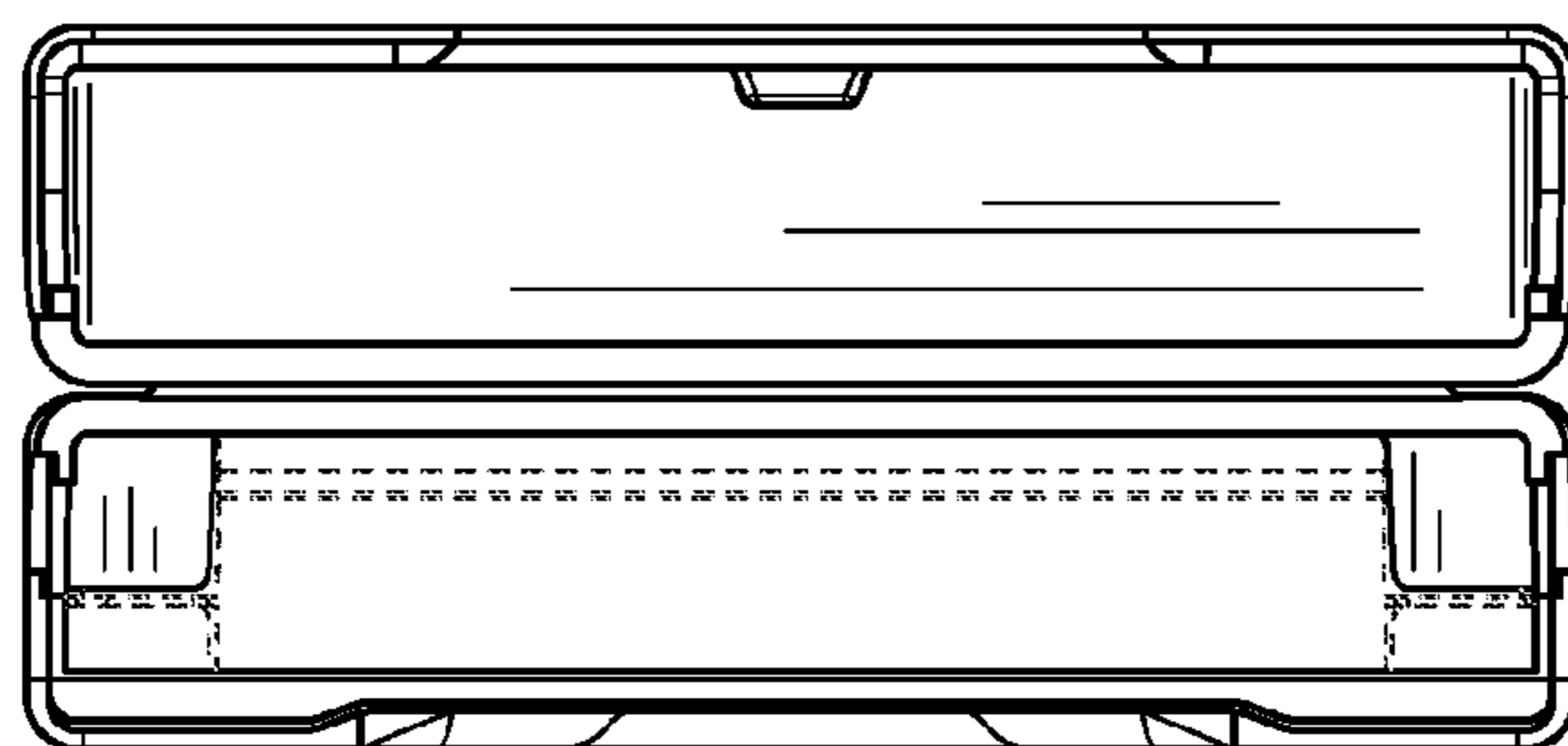


FIG. 10