



US00D611803S

(12) **United States Design Patent**
Lien

(10) **Patent No.:** **US D611,803 S**

(45) **Date of Patent:** **** Mar. 16, 2010**

(54) **HANGING HOOK**

D524,636 S * 7/2006 Burnett D8/370
D528,900 S * 9/2006 Thompson D8/370

(76) Inventor: **Chin-Hsiung Lien**, 11561 Hallword Dr.,
El Monte, CA (US) 91732

* cited by examiner

(**) Term: **14 Years**

Primary Examiner—Holly H Baynham
(74) *Attorney, Agent, or Firm*—Raymond Y. Chan; David and
Raymond Patent Firm

(21) Appl. No.: **29/316,242**

(22) Filed: **Sep. 4, 2009**

(57) **CLAIM**

(51) **LOC (9) Cl.** **08-05**

The ornamental design for a hanging hook, as shown and as
described.

(52) **U.S. Cl.** **D8/370; D8/387**

(58) **Field of Classification Search** D8/367,
D8/370, 373, 387; 248/302–303, 339

See application file for complete search history.

DESCRIPTION

(56) **References Cited**

FIG. 1 is a perspective view showing my new design.

FIG. 2 is a front view thereof.

FIG. 3 is a rear view thereof.

FIG. 4 is a top view thereof.

FIG. 5 is a bottom view thereof.

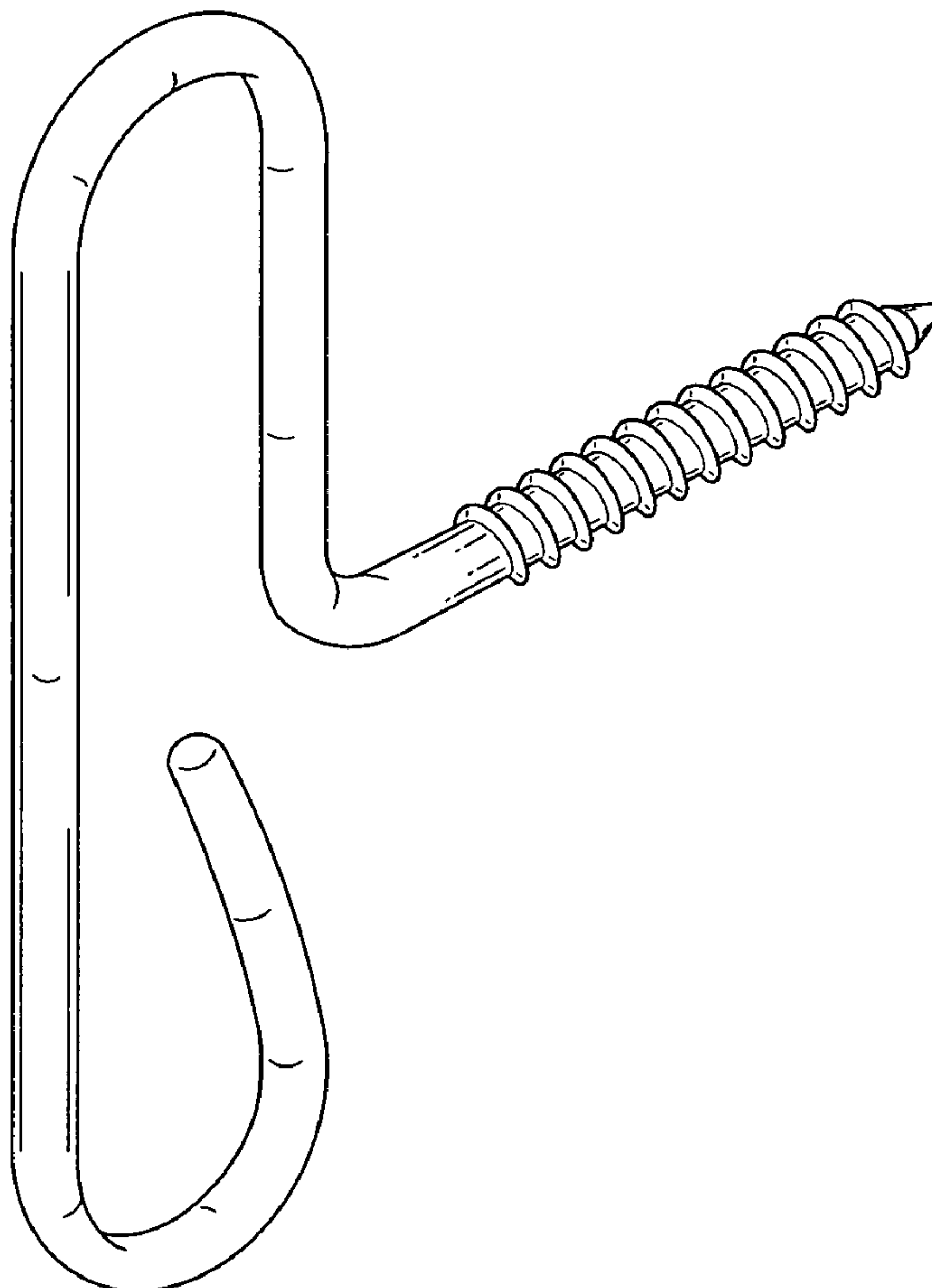
FIG. 6 is a left end view thereof; and,

FIG. 7 is a right end view thereof.

U.S. PATENT DOCUMENTS

481,724	A	*	8/1892	Westover	52/548
1,646,587	A	*	10/1927	Lunsford	411/400
D280,596	S	*	9/1985	Keeler	D8/382
D354,905	S	*	1/1995	Fitzmyers et al.	D8/387
D404,127	S	*	1/1999	Lammers	D24/141
D457,808	S	*	5/2002	Williams	D8/373
D458,116	S	*	6/2002	Roethler	D8/367

1 Claim, 7 Drawing Sheets



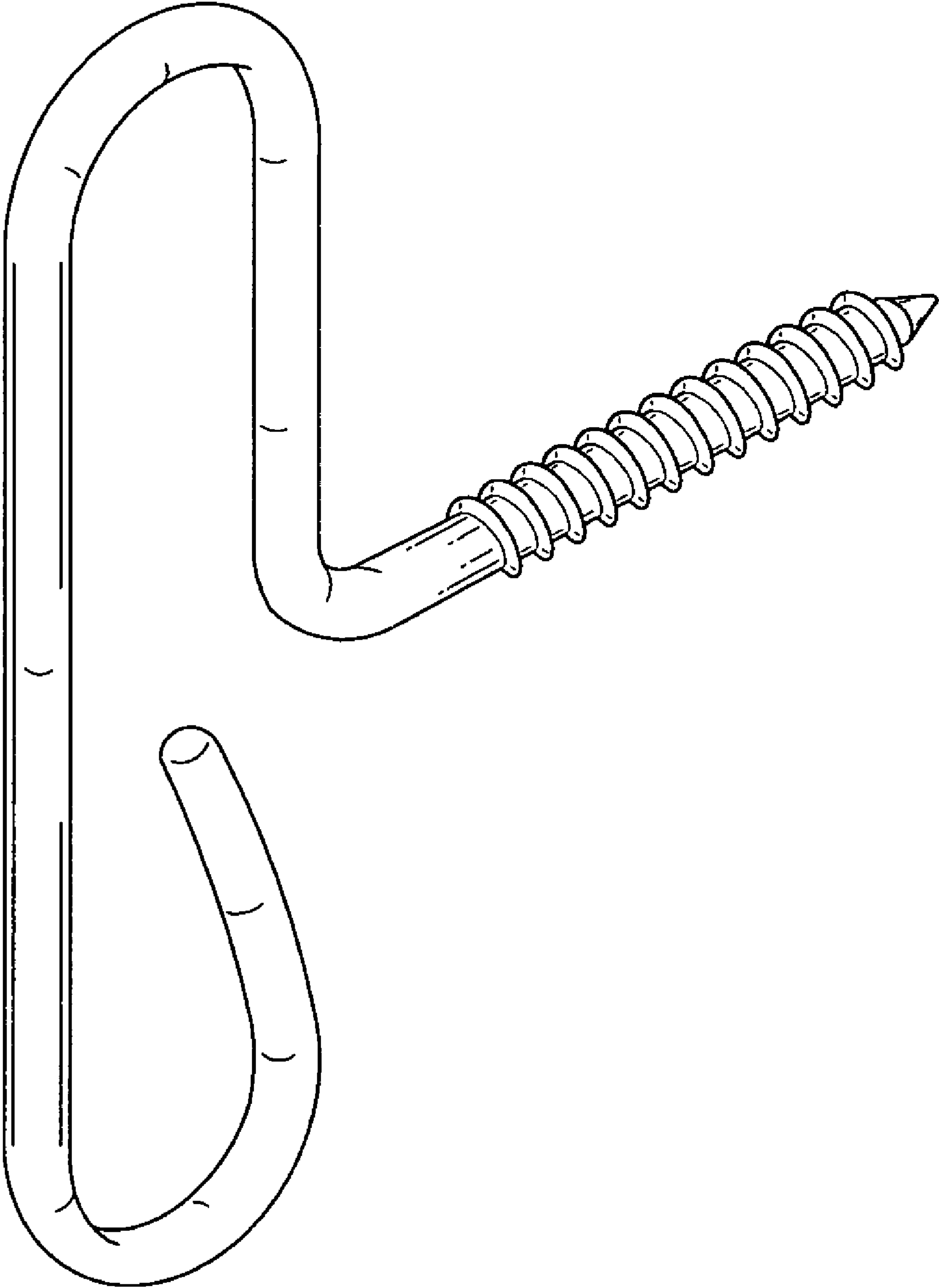


FIG. 1

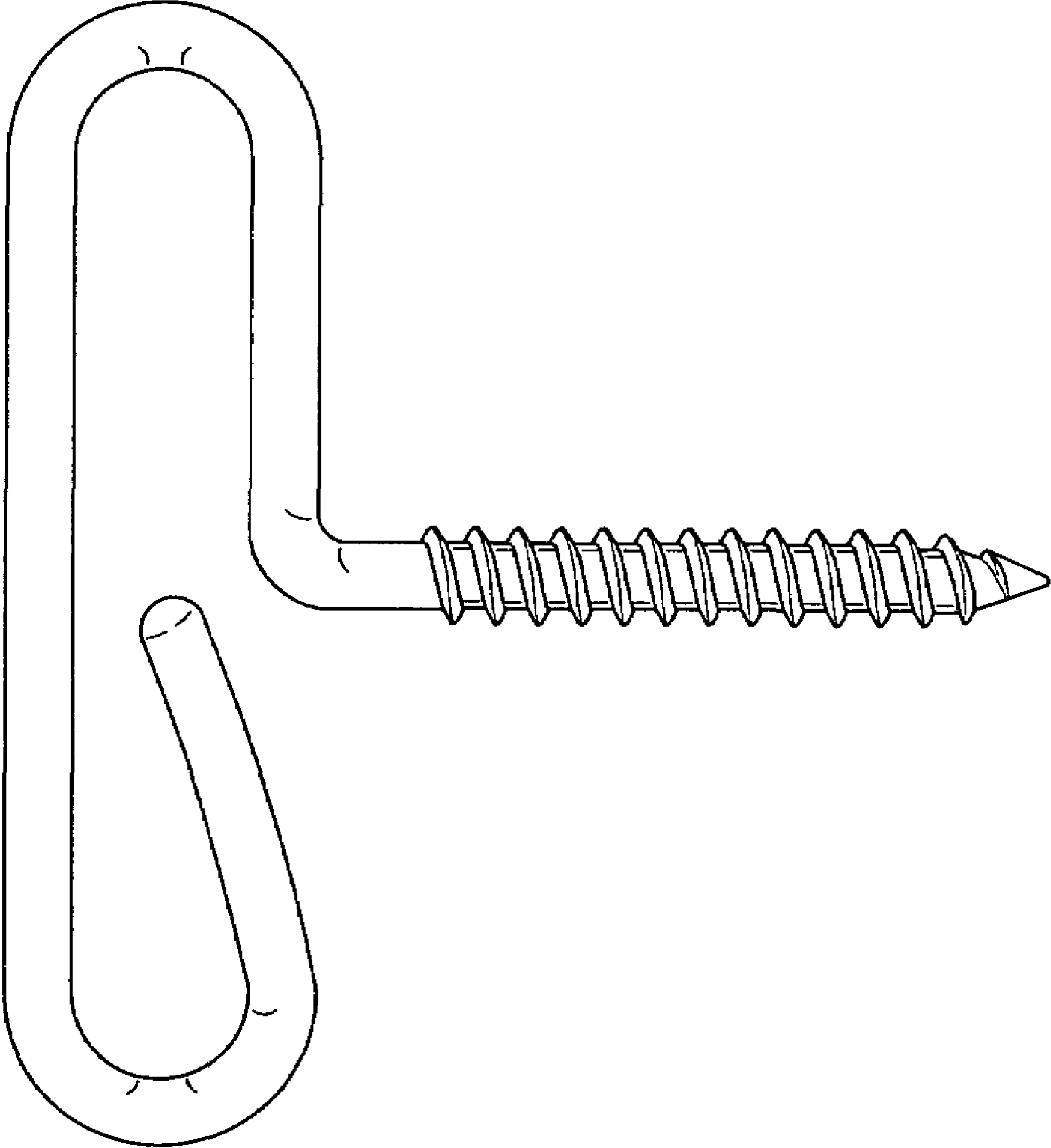


FIG. 2

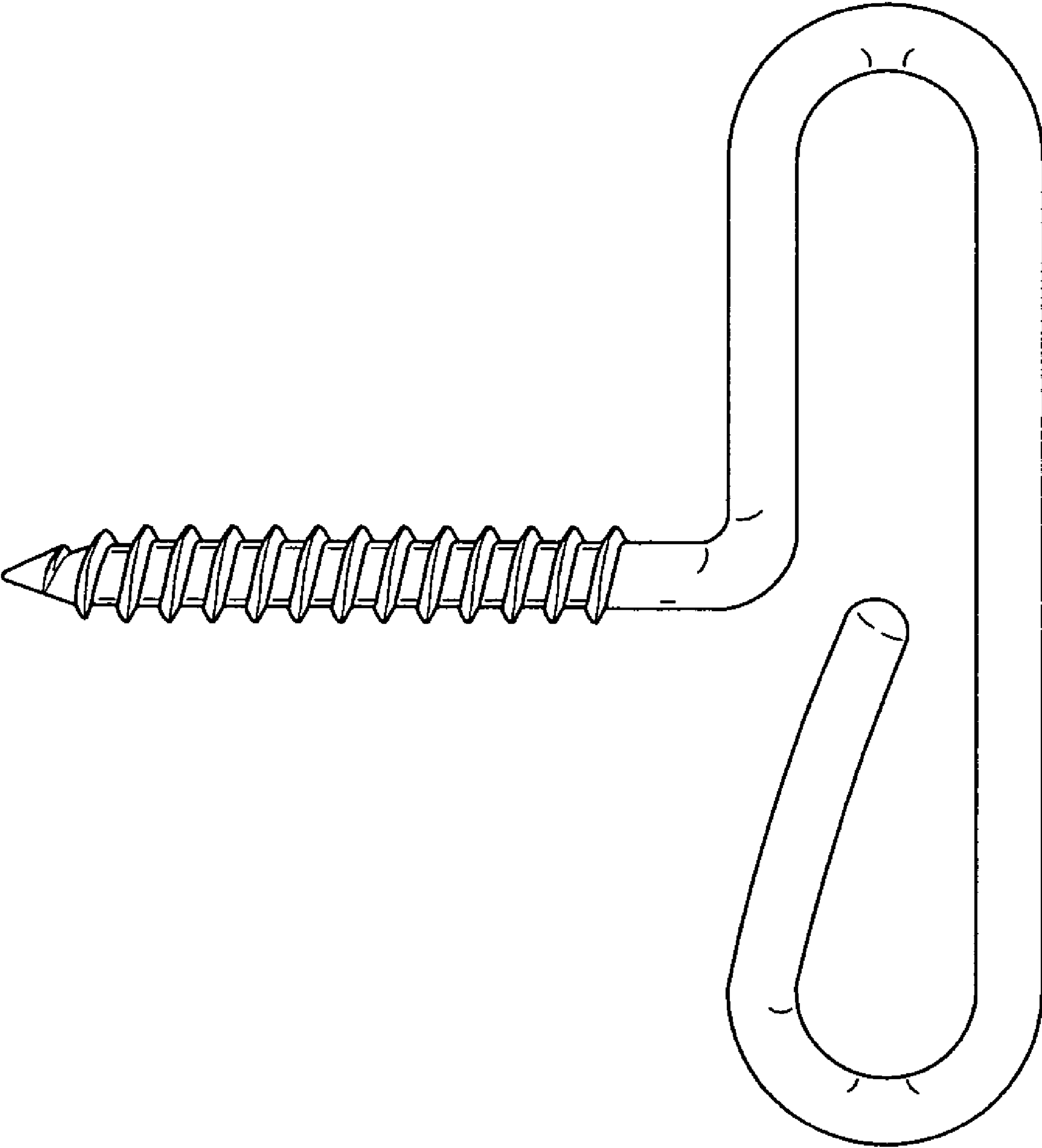


FIG. 3



FIG. 4



FIG. 5

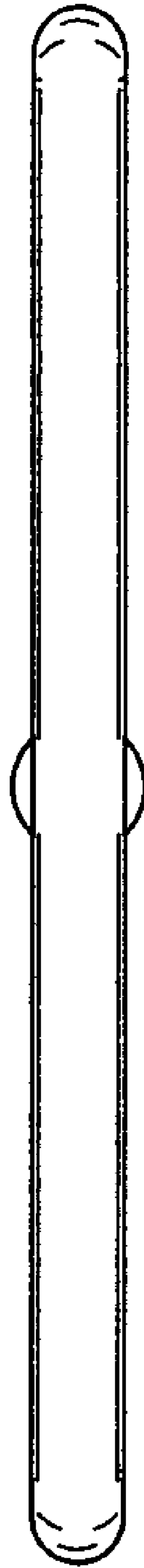


FIG. 6



FIG. 7