



US00D611802S

(12) **United States Design Patent**
Li

(10) **Patent No.:** **US D611,802 S**
(45) **Date of Patent:** **** Mar. 16, 2010**

(54) **SUPPORT**

(76) Inventor: **Chin-Chu Li**, 18F., No. 71, Sec. 2,
Dunhua S. Rd., Taipei 106 (TW)

(**) Term: **14 Years**

(21) Appl. No.: **29/309,221**

(22) Filed: **Jul. 10, 2008**

(51) **LOC (9) Cl.** **08-05**

(52) **U.S. Cl.** **D8/363**

(58) **Field of Classification Search** D6/454;
D14/452, 432, 447-448, 451, 457; 248/126,
248/286.1, 274.1; D8/363

See application file for complete search history.

(56) **References Cited**

U.S. PATENT DOCUMENTS

| | | | | |
|----------------|---------|-----------------|-------|---------|
| D508,917 S * | 8/2005 | Wills et al. | | D14/452 |
| D529,033 S * | 9/2006 | Hung | | D14/452 |
| D533,174 S * | 12/2006 | Richter | | D14/251 |
| D538,633 S * | 3/2007 | Ly Hau et al. | | D8/363 |
| D539,123 S * | 3/2007 | Ly Hau et al. | | D8/363 |
| 7,229,059 B1 * | 6/2007 | Hood | | 248/518 |
| D553,135 S * | 10/2007 | Muday et al. | | D14/452 |
| D556,205 S * | 11/2007 | Wohlford et al. | | D14/452 |
| D557,125 S * | 12/2007 | Worrall et al. | | D8/380 |
| D563,309 S * | 3/2008 | Richter | | D12/415 |
| D566,531 S * | 4/2008 | Massoumi et al. | | D8/363 |
| D568,325 S * | 5/2008 | Muday et al. | | D14/452 |
| D568,326 S * | 5/2008 | Muday et al. | | D14/452 |

| | | | | |
|--------------|--------|--------------|-------|---------|
| D577,730 S * | 9/2008 | Rutten | | D14/452 |
| D587,716 S * | 3/2009 | Hau et al. | | D14/452 |
| D591,755 S * | 5/2009 | Richter | | D14/447 |
| D595,299 S * | 6/2009 | Bures | | D14/452 |
| D595,723 S * | 7/2009 | Bures et al. | | D14/451 |

* cited by examiner

Primary Examiner—Elizabeth A Albert

Assistant Examiner—Kelley A Donnelly

(74) *Attorney, Agent, or Firm*—Rosenberg, Klein & Lee

(57) **CLAIM**

The ornamental design for a “support,” as shown and described.

DESCRIPTION

FIG. 1 is a perspective view of a “support” showing my new design;

FIG. 2 is a front view thereof;

FIG. 3 is a rear view thereof;

FIG. 4 is a left side view thereof;

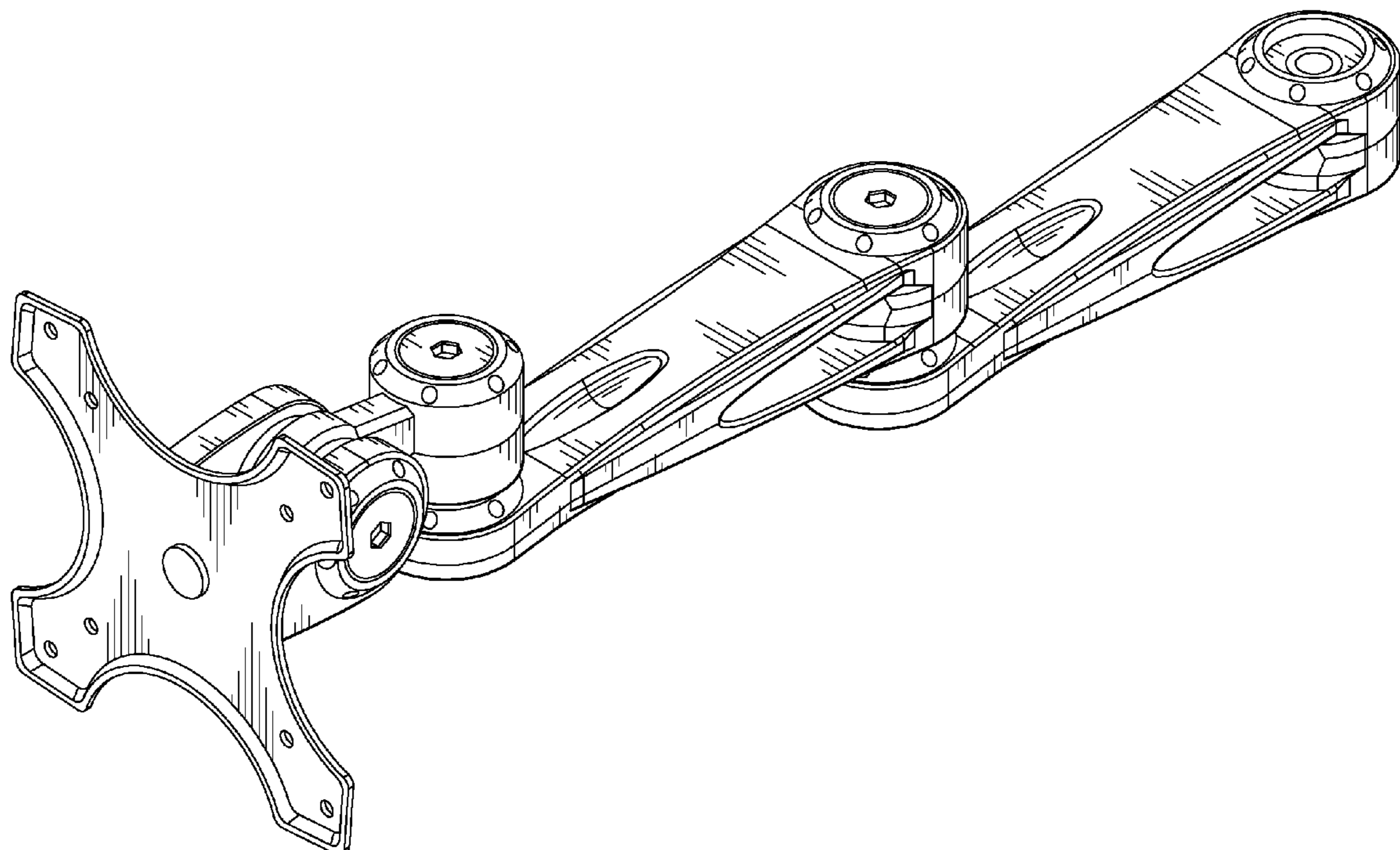
FIG. 5 is a right side view thereof;

FIG. 6 is a top view thereof; and,

FIG. 7 is a bottom view thereof.

The broken line portion of the figure drawings is included to show unclaimed subject matter only and forms no part of the claimed design.

1 Claim, 6 Drawing Sheets



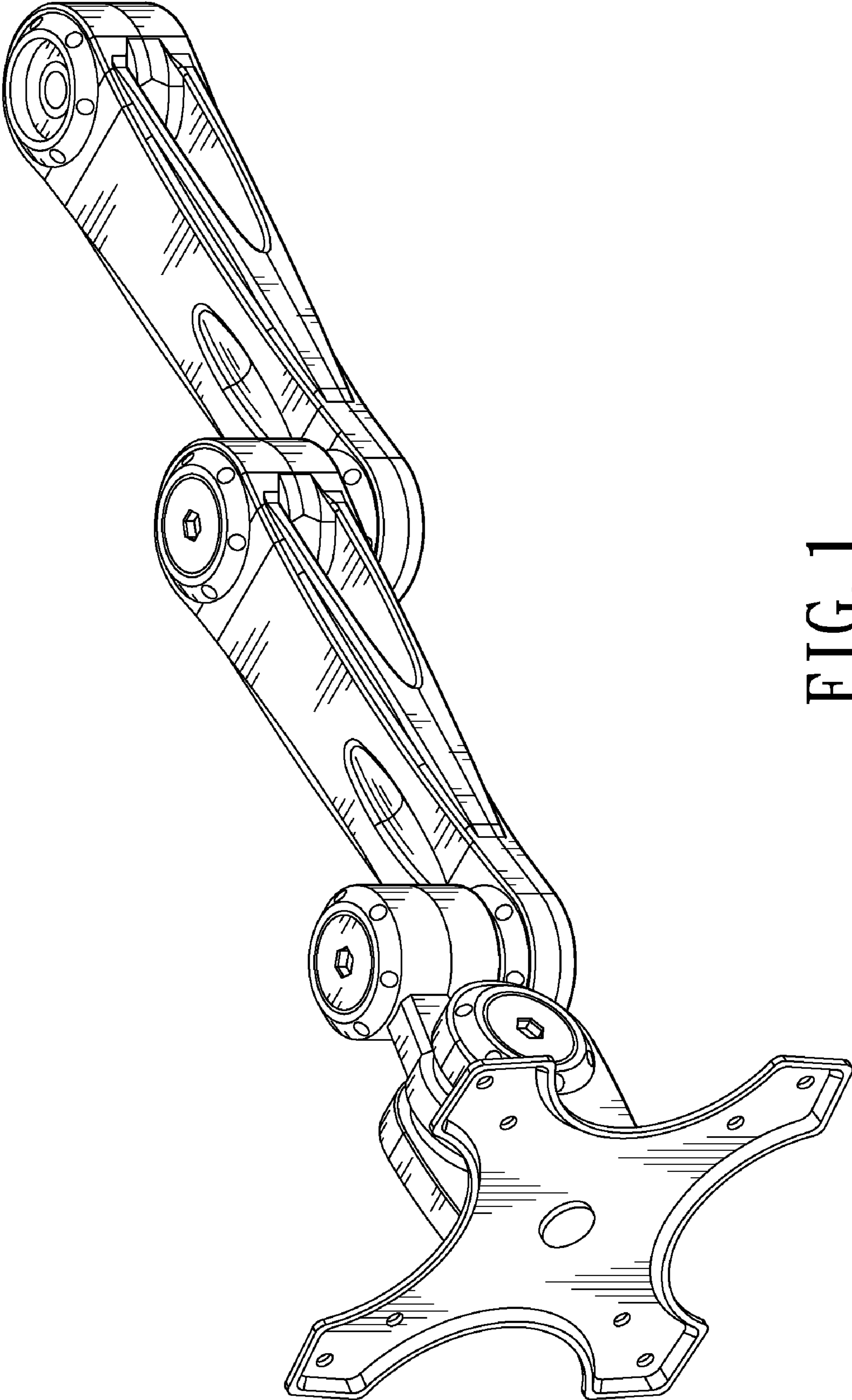


FIG. 1

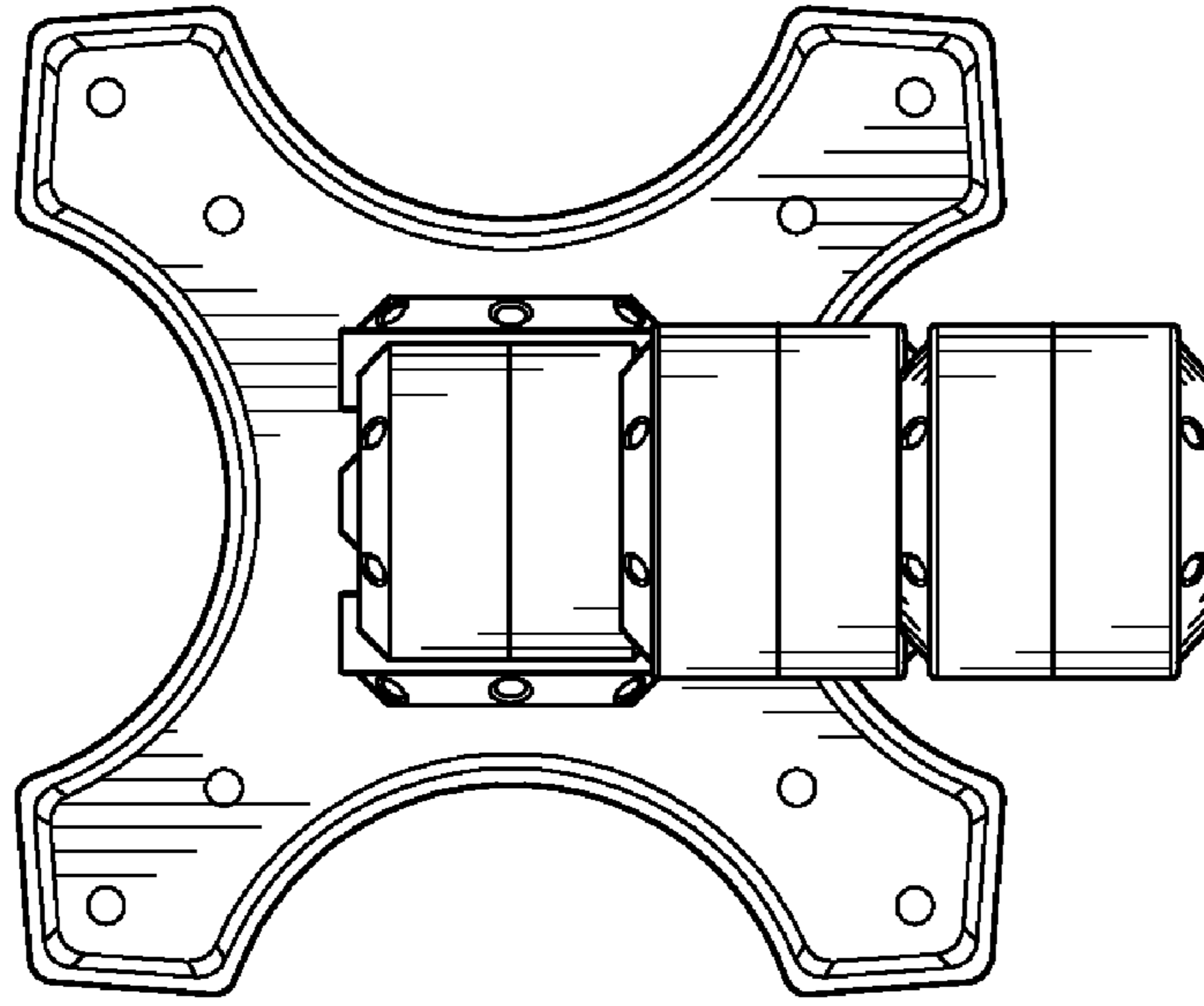


FIG. 3

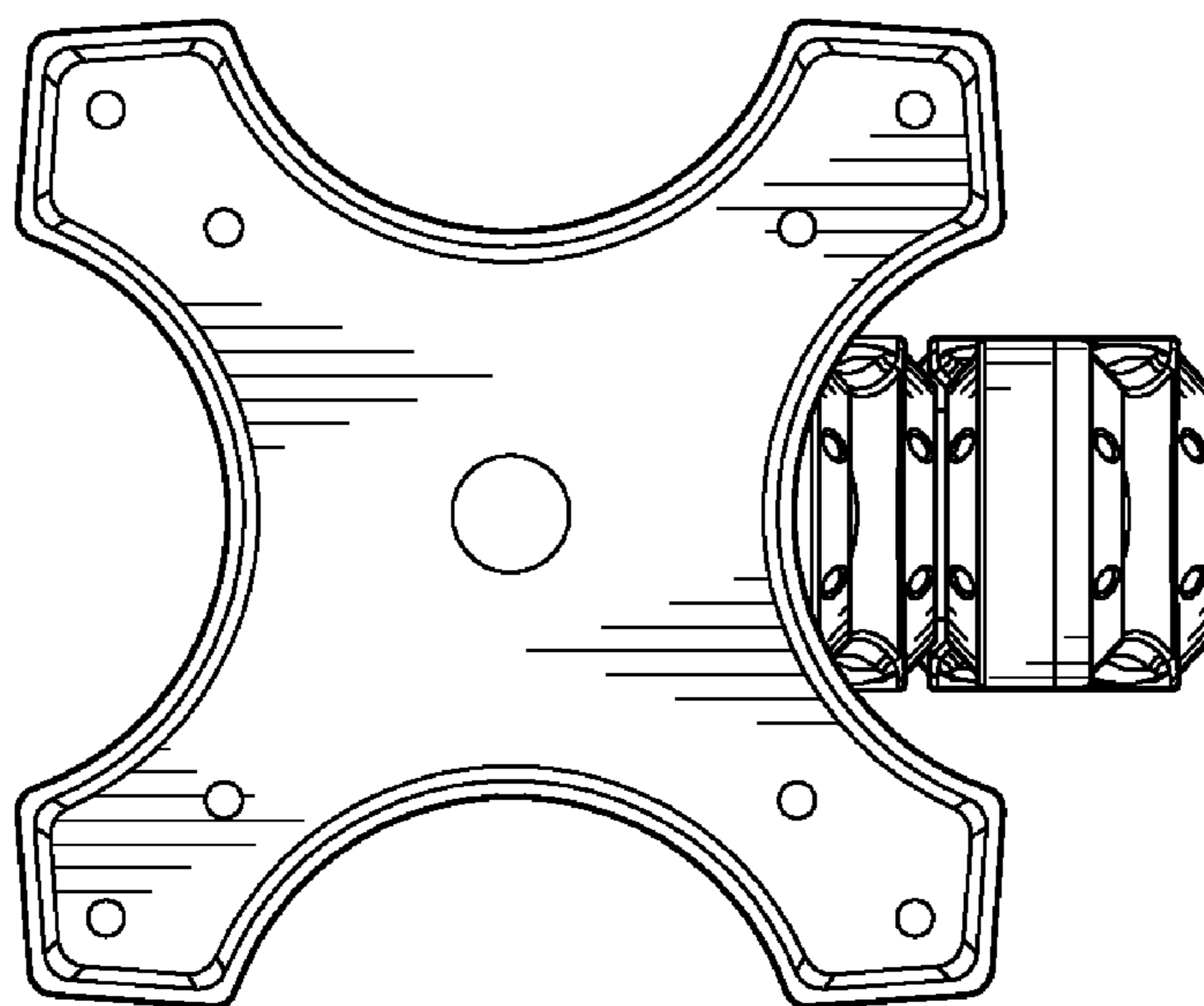


FIG. 2

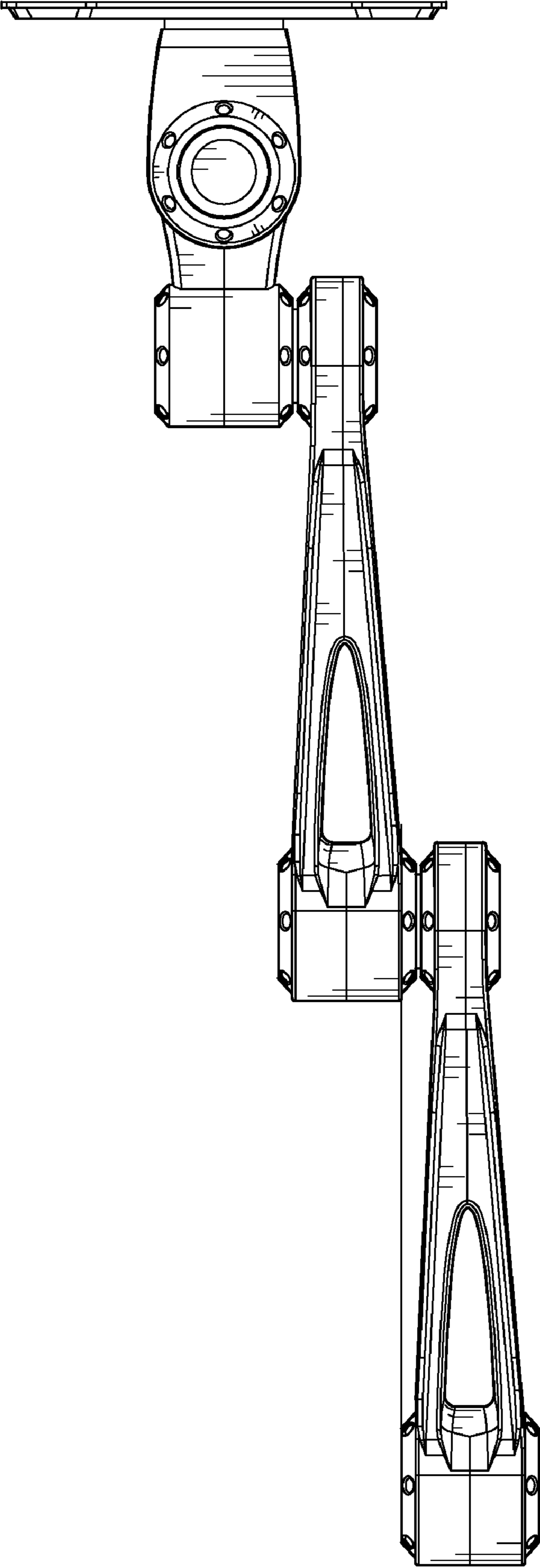


FIG. 4

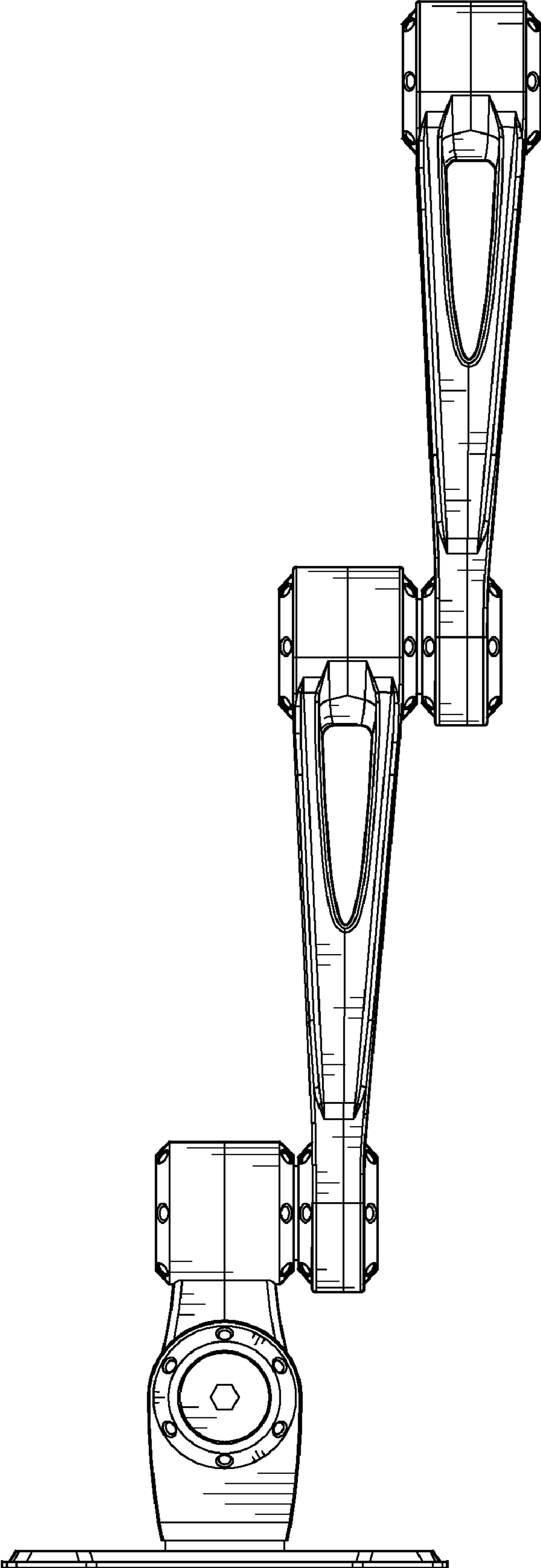


FIG. 5

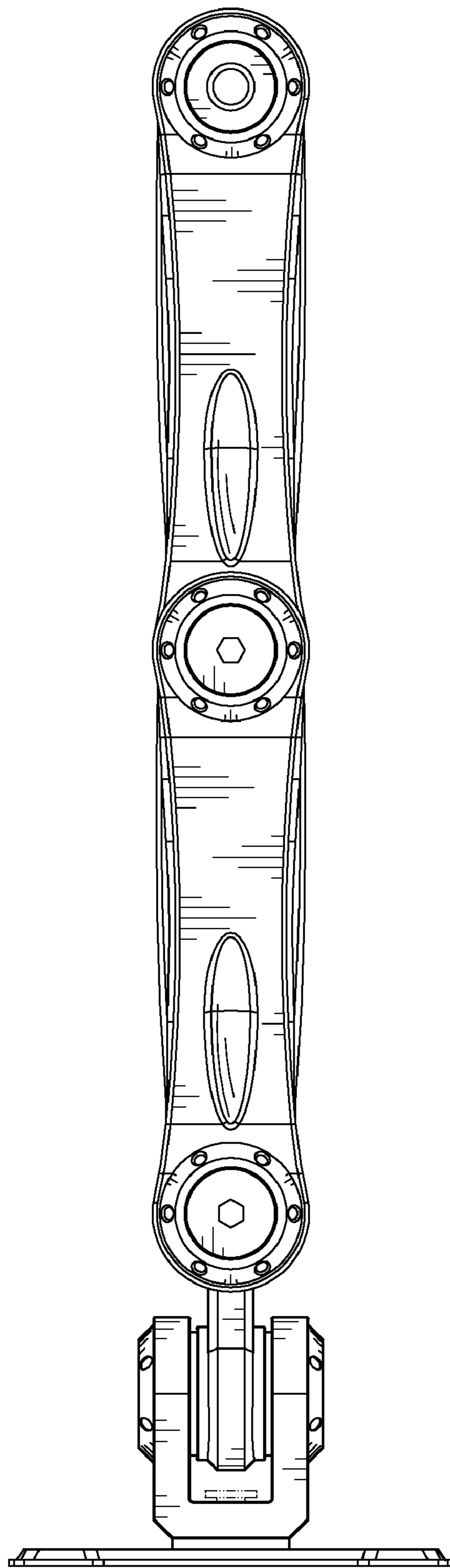


FIG. 6

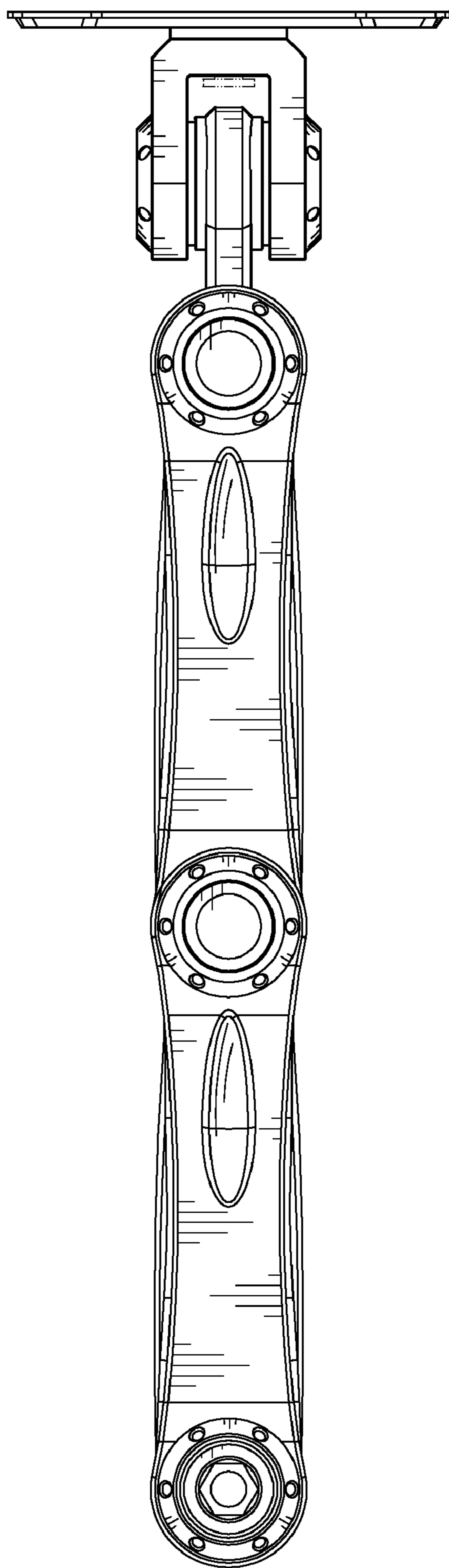


FIG. 7