



US00D611801S

(12) **United States Design Patent**  
**Chustak**

(10) **Patent No.:** **US D611,801 S**

(45) **Date of Patent:** **\*\* Mar. 16, 2010**

(54) **COLLAPSIBLE MULTI-POSITION BRACKET**

*Primary Examiner*—Robert M Spear  
*Assistant Examiner*—Cynthia Underwood

(76) Inventor: **Daniel A. Augustine Chustak**, 922  
Handlebar Rd., Mishawaka, IN (US)  
46544

(57) **CLAIM**

The ornamental design for a collapsible multi-position bracket, as shown.

(\*\*) Term: **14 Years**

(21) Appl. No.: **29/314,161**

(22) Filed: **Mar. 9, 2009**

**DESCRIPTION**

(51) **LOC (9) Cl.** ..... **08-08**

(52) **U.S. Cl.** ..... **D8/355**

(58) **Field of Classification Search** ..... D8/355,  
D8/381, 323–330; 4/236, 240; D23/302;  
16/309, 235, 275, 244, 379, 390, 430, 241,  
16/238, 245, 236, 243, 242; 49/381  
See application file for complete search history.

FIG. 1 is a perspective view of the collapsible multi-position bracket in the open position showing my new design;

FIG. 2 is a side open position view thereof;

FIG. 3 is a back open position view thereof;

FIG. 4 is a top open position view thereof;

FIG. 5 is a bottom open position view thereof;

FIG. 6 is a front open position view thereof.

FIG. 7 is a lower perspective open position view thereof

FIG. 8 is a perspective closed position view thereof

FIG. 9 is a side closed position view thereof

FIG. 10 is a top closed position view thereof

FIG. 11 is a back closed position view thereof

FIG. 12 is a bottom closed position view thereof; and,

FIG. 13 is a back closed view thereof.

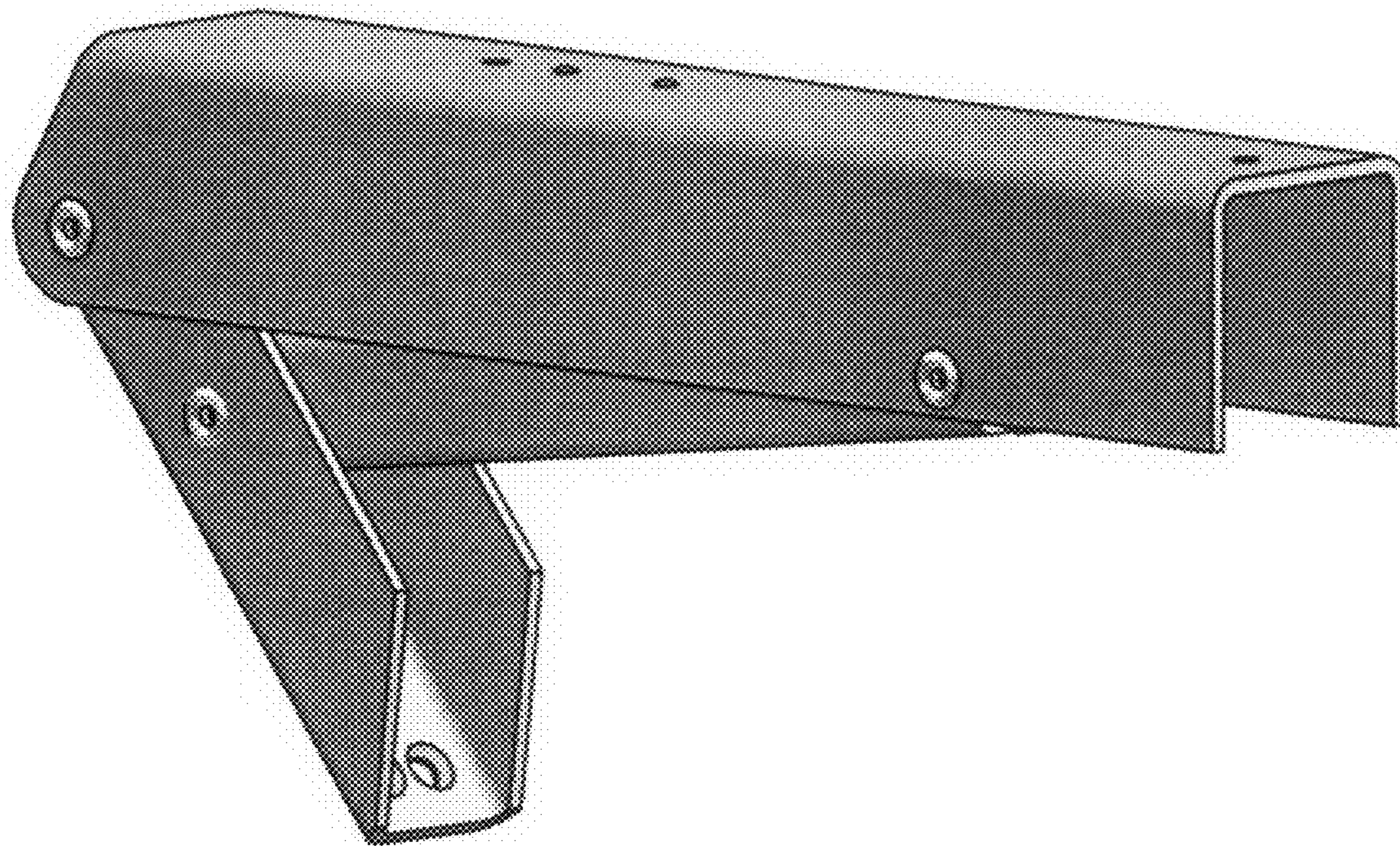
(56) **References Cited**

U.S. PATENT DOCUMENTS

|              |         |               |       |        |
|--------------|---------|---------------|-------|--------|
| D157,294 S * | 2/1950  | Slopa         | ..... | D8/327 |
| D220,380 S * | 4/1971  | Hughes        | ..... | D8/323 |
| D222,234 S * | 10/1971 | Imber et al.  | ..... | D8/355 |
| D258,476 S * | 3/1981  | Gilboy et al. | ..... | D6/573 |
| D260,852 S * | 9/1981  | Loeschen      | ..... | D8/381 |
| D263,926 S * | 4/1982  | White         | ..... | D8/327 |
| D377,751 S * | 2/1997  | Koebbe        | ..... | D8/355 |
| D485,484 S * | 1/2004  | McCoy et al.  | ..... | D8/343 |

\* cited by examiner

**1 Claim, 2 Drawing Sheets**





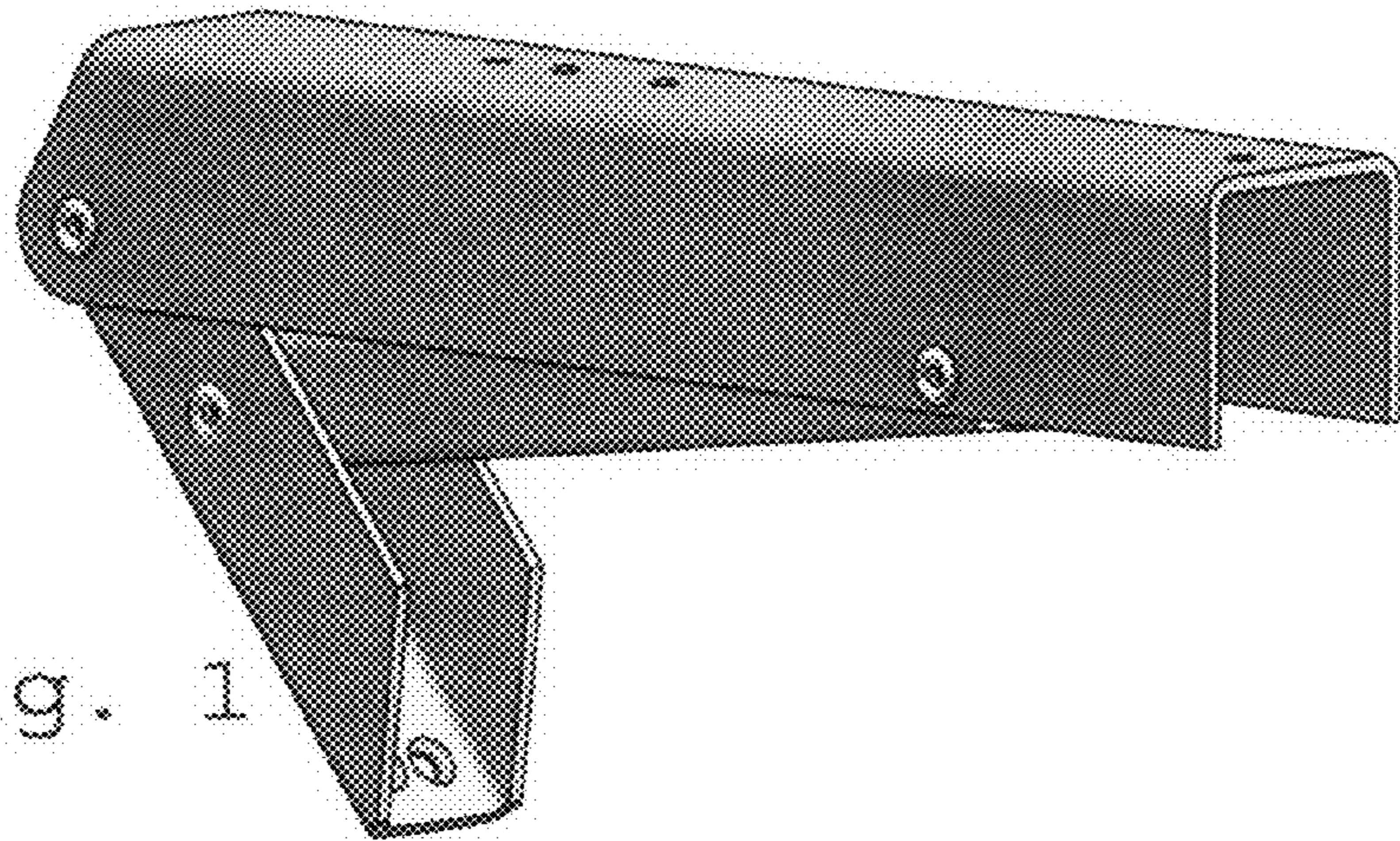


Fig. 1

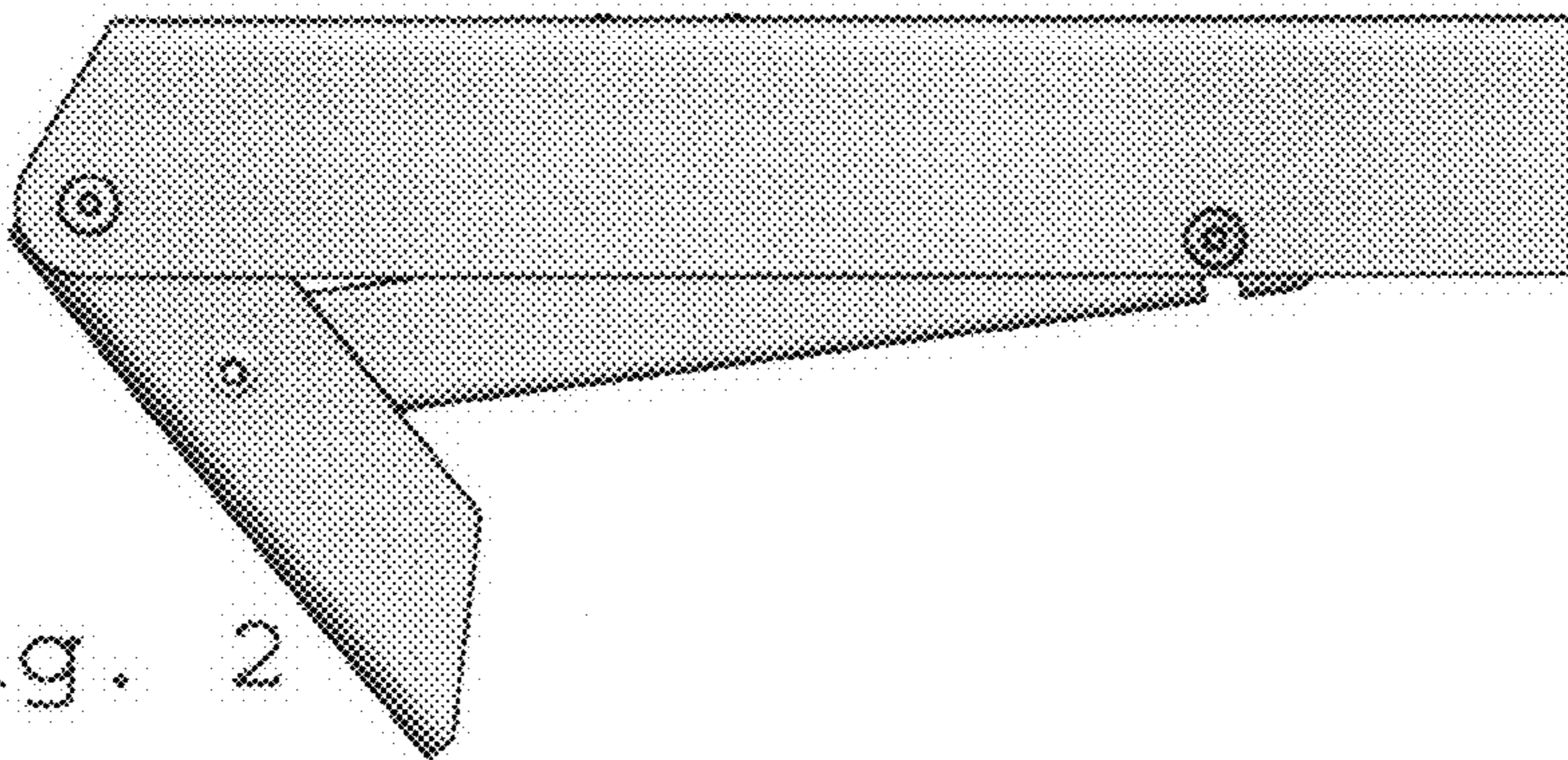


Fig. 2

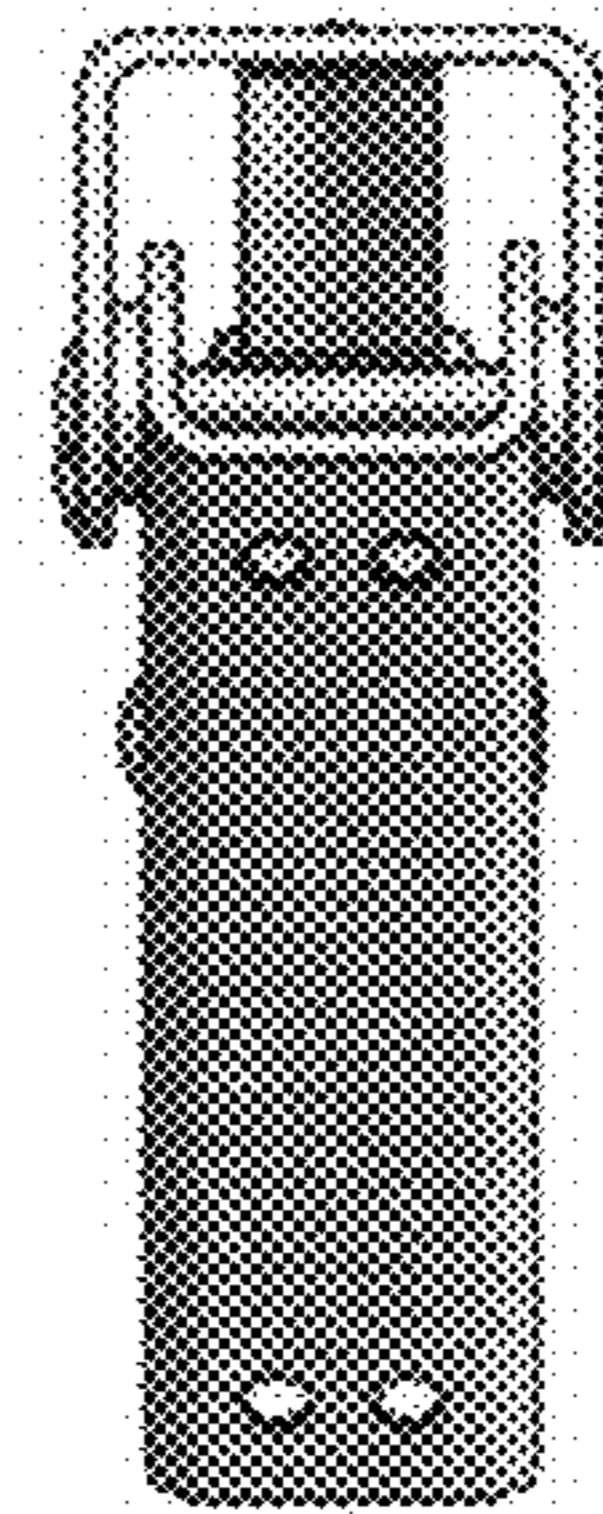


Fig. 3

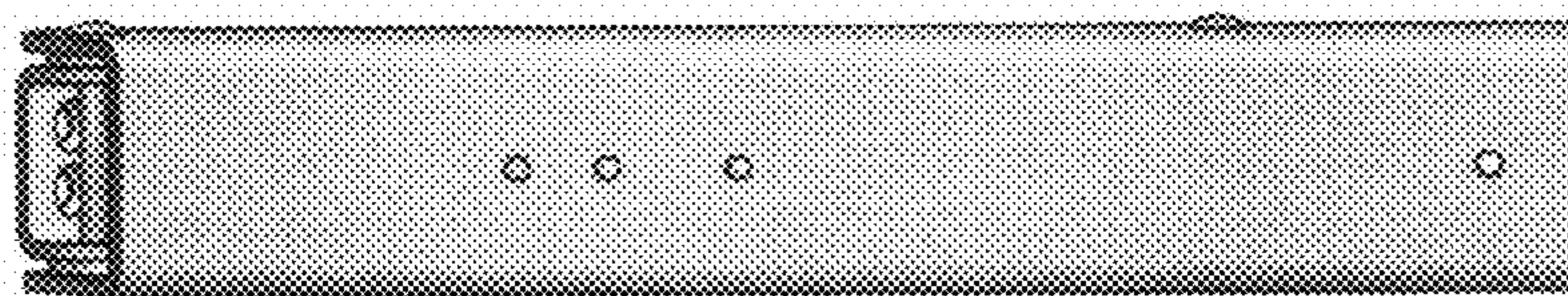


Fig. 4

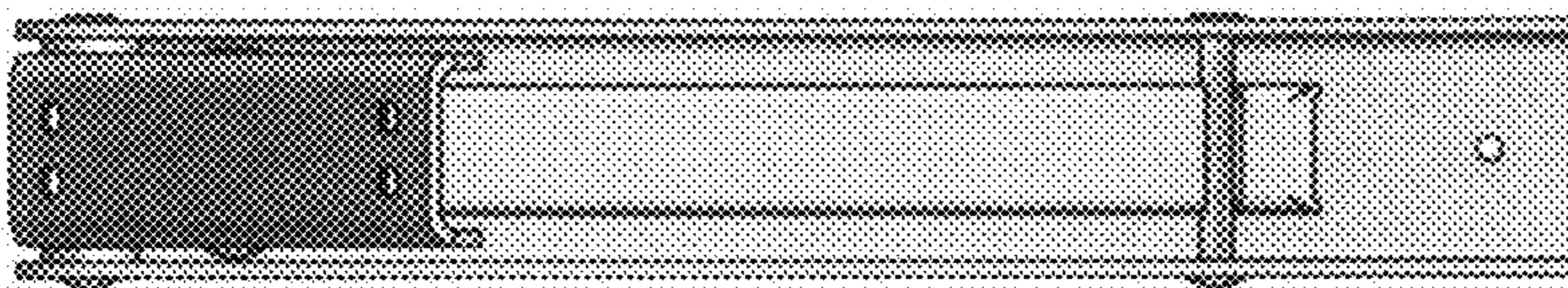


Fig. 5

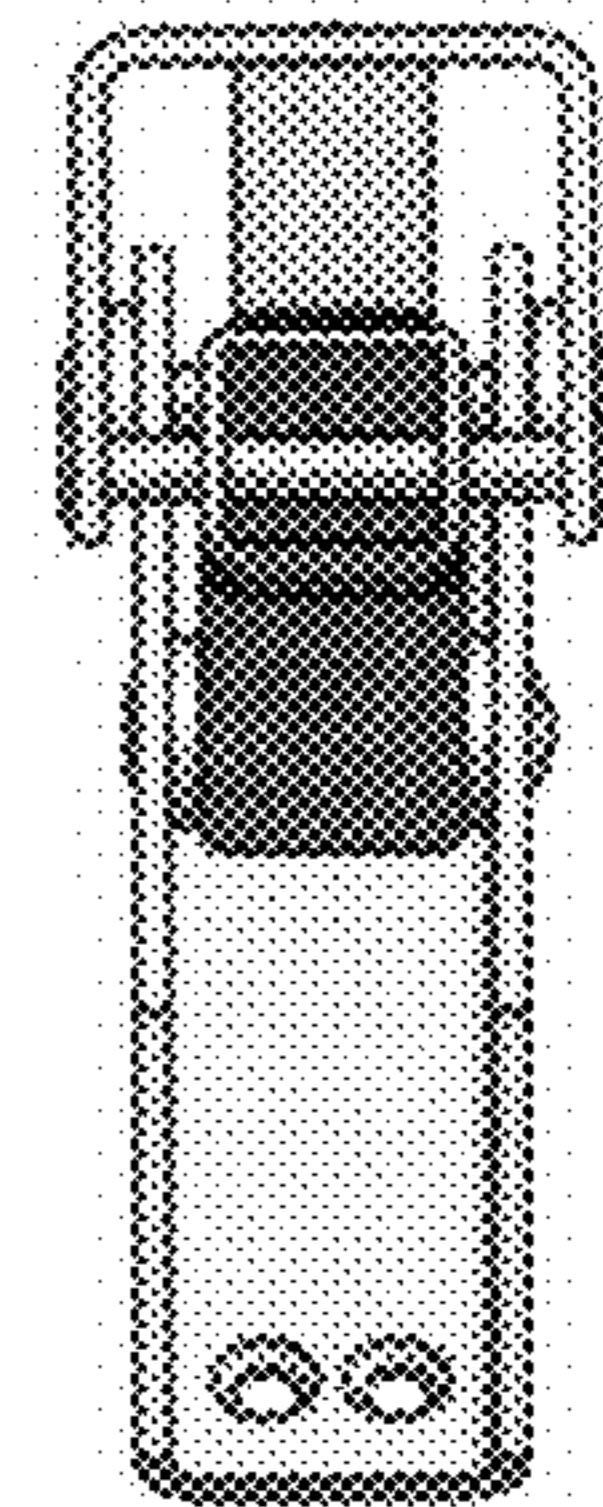


Fig. 6

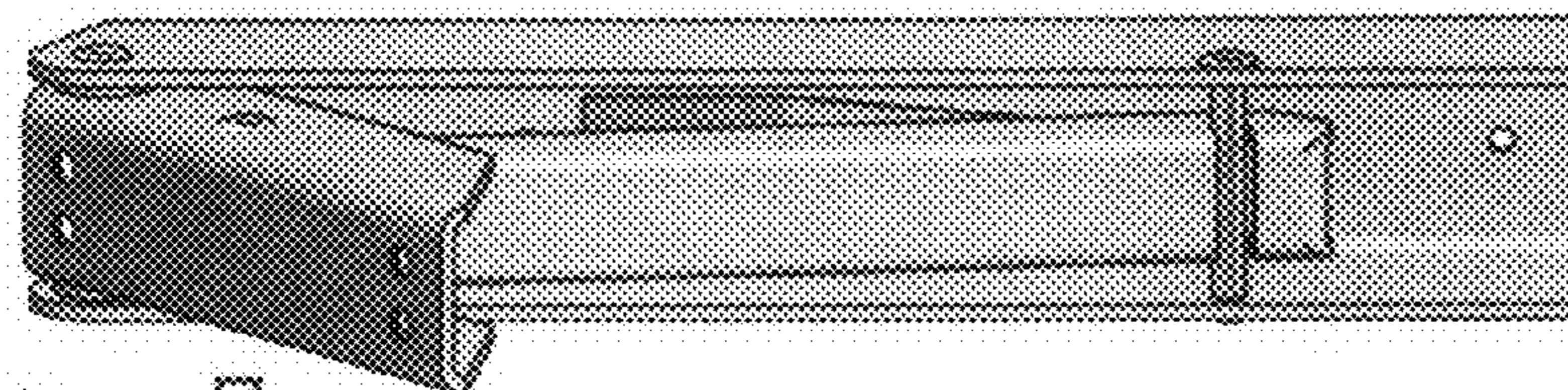


Fig. 7



Fig. 8

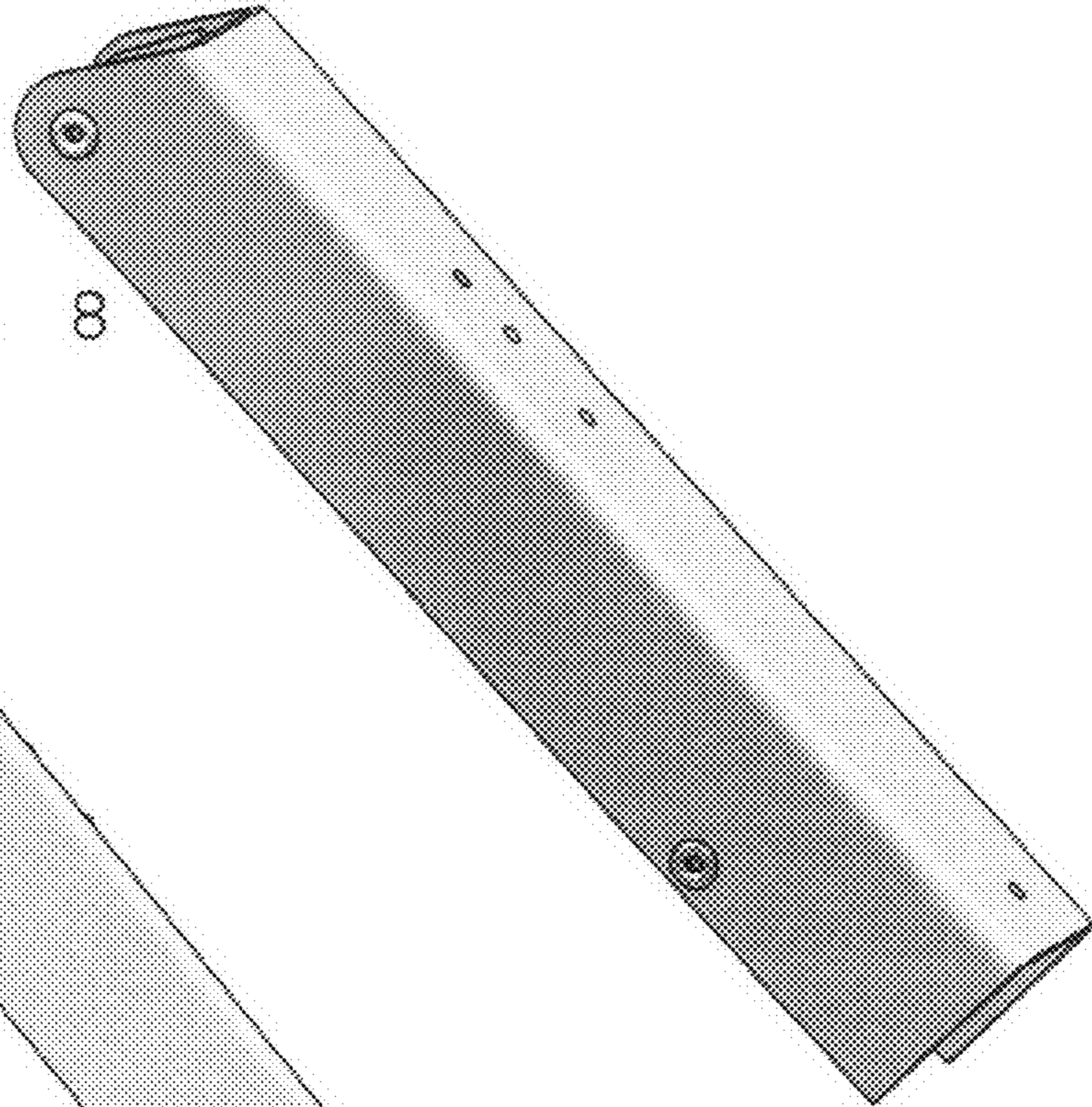


Fig. 9

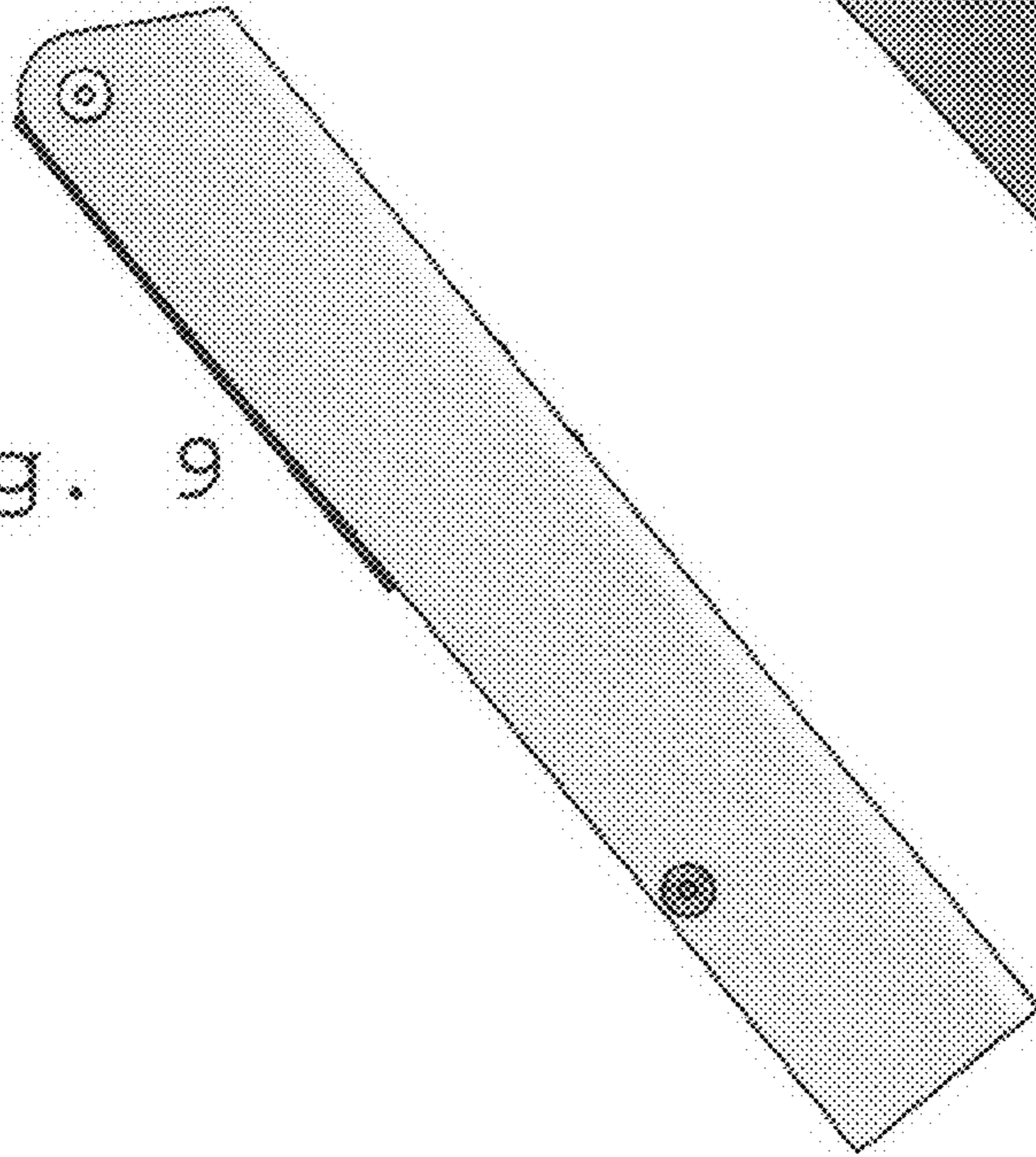


Fig. 10

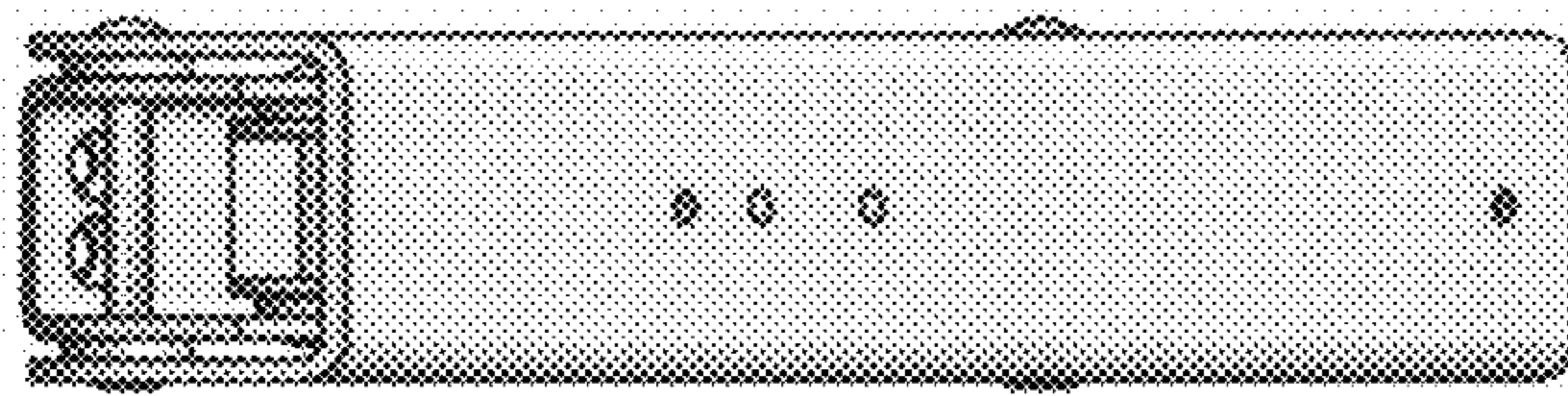


Fig. 11

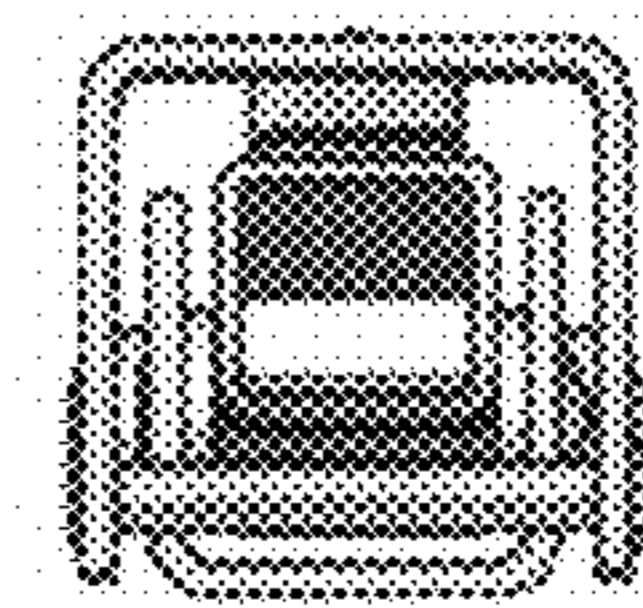


Fig. 12

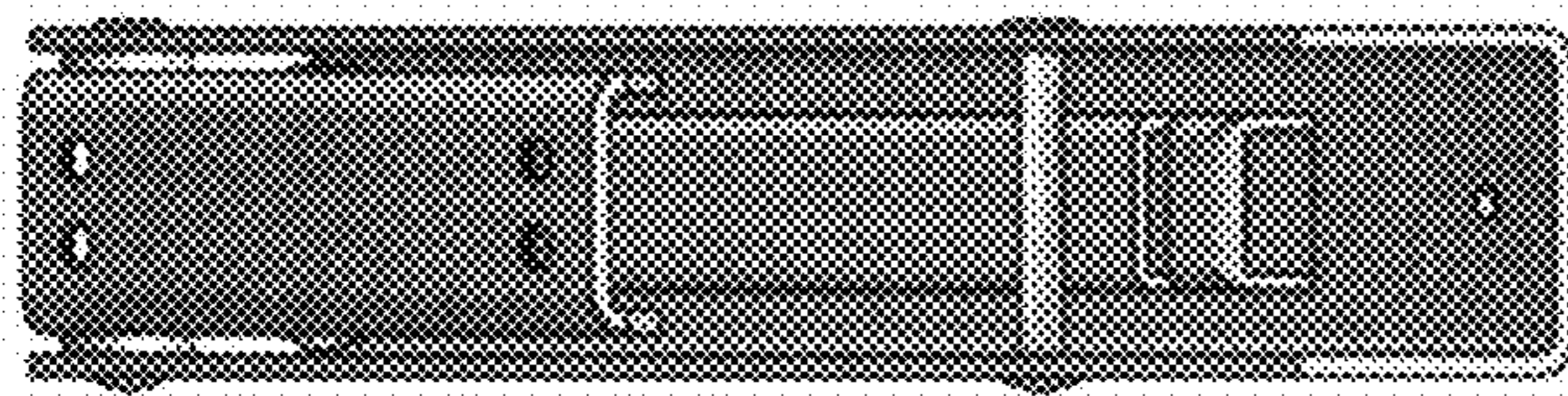


Fig. 13

